

AV3500

Full HD Video Codec Module

High-performance IP HD Broadcasting Solution

Preliminary Product Overview

(Without notice, following described technical spec. can be changed)



AddPac

AddPac Technology

2011, Sales and Marketing

Contents

- Product Overview
- AV3500 Hardware Specification
- AV3500 Technical Specification
- AV3500 IP Video Codec Latency
- AV3500 Hardware Platform
- Software Service
- RTSP Service Network Diagram
- RTSP Service Features
- Network Service and Features
- Application
- Ordering Information

Product Overview

AV3500 Full HD Video Codec Module

- Full HD (1080i) Video Encoding/Decoding Service Features
- Video Codec : H.264 HP/MP/BP
- Video Input Interface : HDMI, HD-SDI, Analog (NTSC, PAL)
- Video Output Interface : HDMI, HD-SDI, Analog (NTSC, PAL)
- RTSP/RTP, TCP/UDP Protocol Support
- AES_EBU HD-SDI Audio Service Support
- IP based Dolby Relay Support
- IP based Full HD Video Transmission Solution
- High-performance Video, Audio, and Voice Service
- Firmware Upgradeable Architecture
- Video Solution with Outstanding Network Service Capability
- Web based Management Service
- AP-NC2000, AP-NC3000, AP-NC3500, AP-NC5000 Platform Available

Hardware Specification

AV3500 Full HD Video Codec Module

RISC
CPU

High-End
VP

- **RISC + Video Processor Computing Power**
- **AV3500 Video Module**
 - **Network Interface**
 - One(1) 10/100/1000Mbps Gigabit Ethernet
 - **Video Interface**
 - One(1) Channel HD-SDI Input
 - One(1) Channel HDMI Input
 - One(1) Channel CVBS Input or Output (selected by DIP Switch)
 - One(1) Channel HD-SDI Output
 - One(1) Channel HDMI Output
 - **One(1) RS-232 Console Interface (RJ45)**
 - **Camera Control Interface**
 - One(1) RS-232C, RS485 Interface
 - **I/O Interface**
 - Two(2) Alarm Input /One(1) Relay Out

Hardware Specification

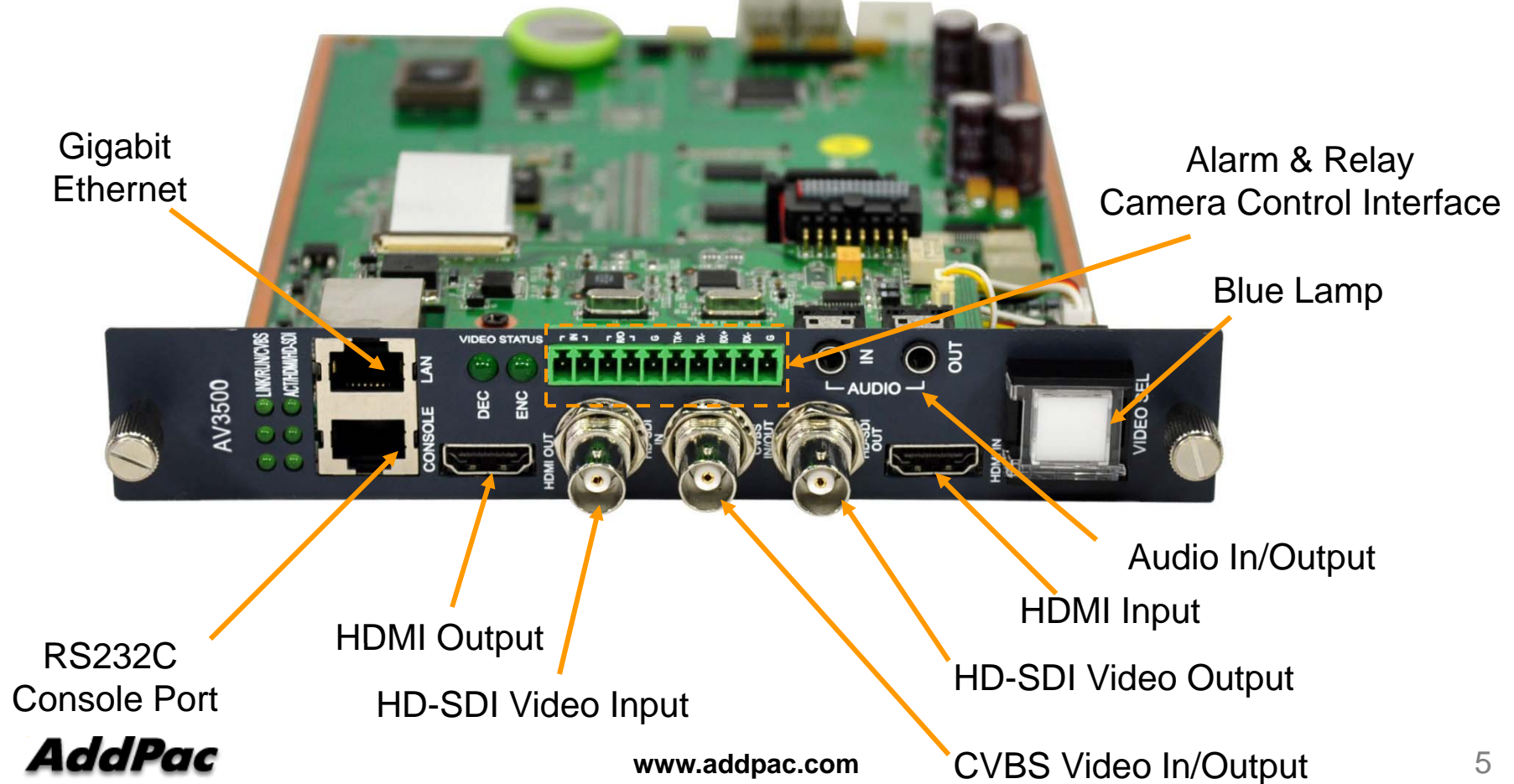
AV3500 Full HD Video Codec Module

RISC
CPU

High-End
VP

Hardware Module Specification

AV3500 HD Video Encoder/Decoder Module(H.264)



AV3500 Technical Specification

AV3500 Full HD Video Codec Module

RISC
CPU

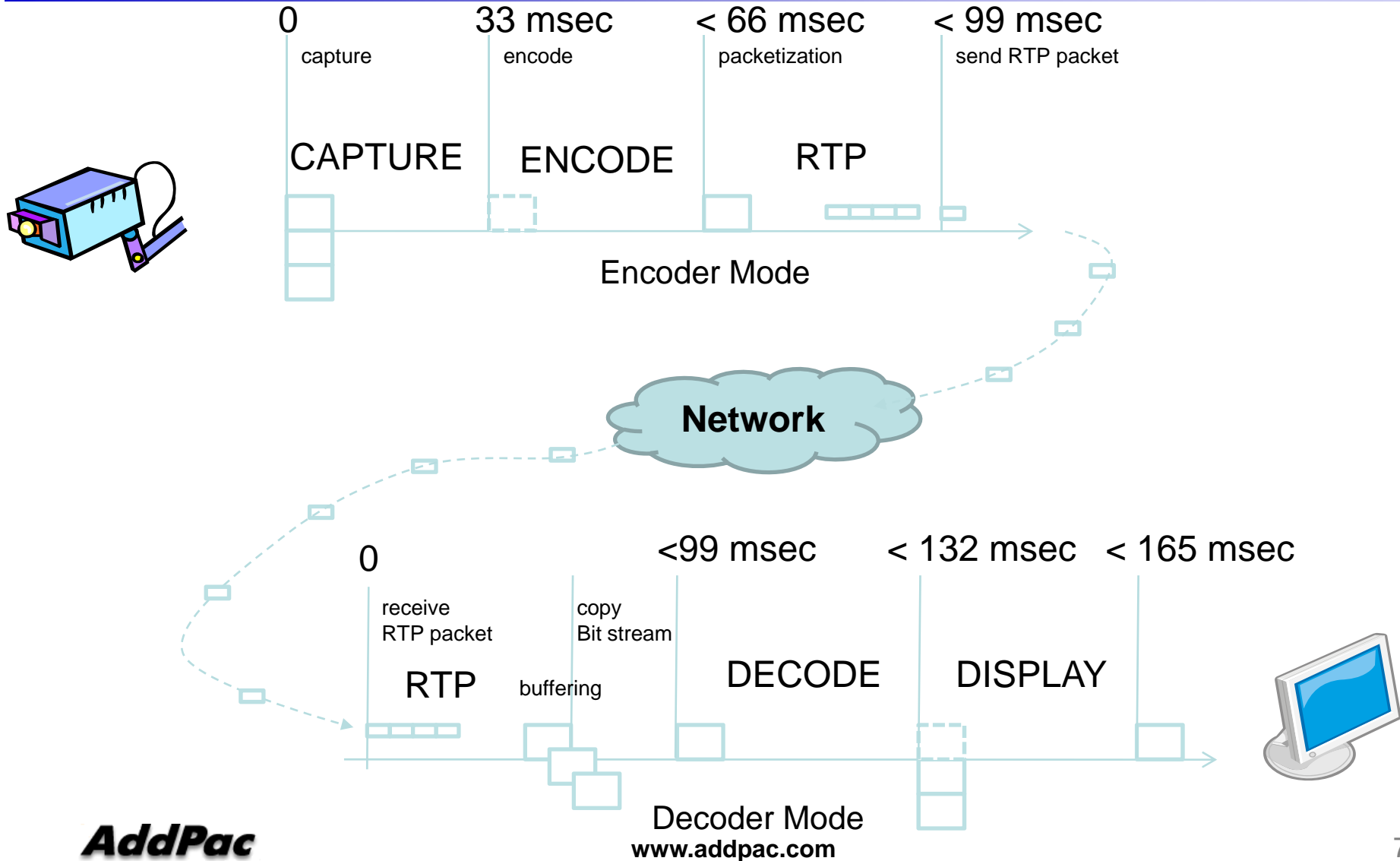
High-End
VP

AV3500 Specification

Video	Input	HD-SDI, HDMI, Analog CVS
	Output	HD-SDI, HDMI, Analog CVS
	Format	1080i, 720P, D1(NSTC, PAL)
	Coding	H.264 (HP/MP/BP)
Audio	Input	4 x AES pair in HD-SDI(AES_EBU), 1 x Analog Stereo Pair
	Output	4 x AES pair in HD-SDI(AES_EBU), 1 x Analog Stereo Pair
	Coding	Dolby Pass-Thru(Relay), G.711, G.726, etc
Network Interface		1 x 10/100/1000Mbps Gigabit Ethernet, 1 x RS232 Interface for Console
Protocol		RTSP (TCP, UDP), RTP

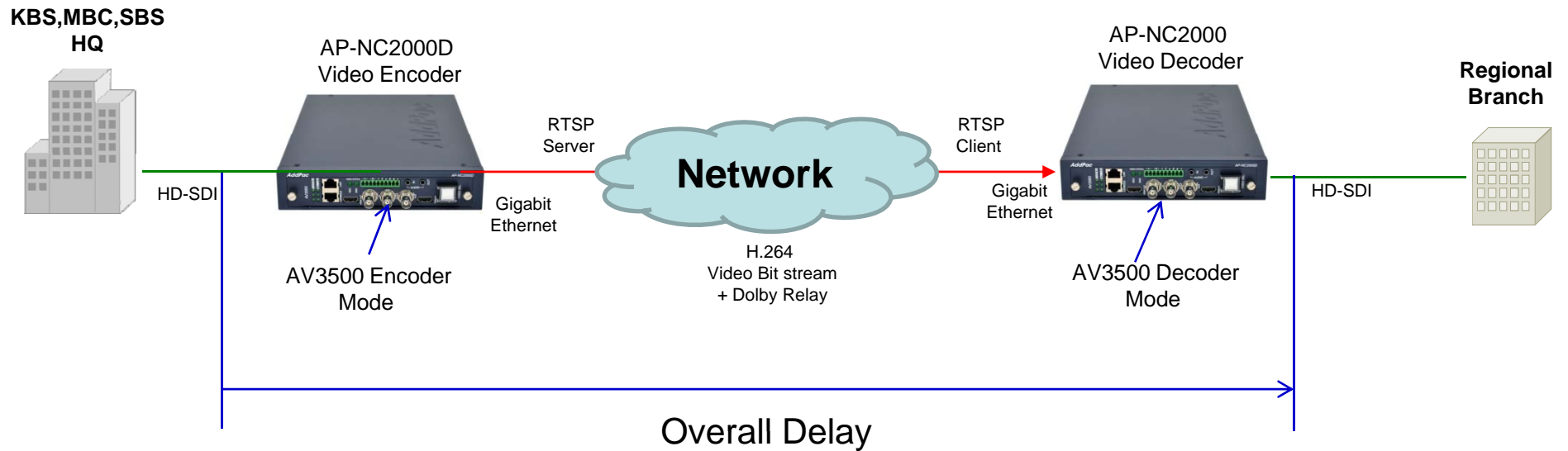
AV3500 IP Video Codec Latency

AV3500 Full HD Video Codec Module



AV3500 IP Video Codec Latency





AV3500 Full HD Video Codec Module



Overall Delay =< 165msec + Network Delay + RTP Rx Buffering Delay

Hardware Platform for AV3500

AV3500 Full HD Video Codec Module

	AP-NC2000	AP-NC3000	AP-NC3500	AP-NC5000
Model				
Module Slot	1 Module Slot	2 Module Slot	4 Module Slots	10 Module Slots
Power Supply	Internal Power Module(AC)	Internal Power Module (AC)	Internal Power Module (AC)	Internal Power Module (AC)
Power Type	Built-In	Built-In	Built-In	Module Type

Hardware Platform for AV3500 (Example)

AV3500 Full HD Video Codec Module

AP-NC2000 Front View



AV3500 Full HD Video Module



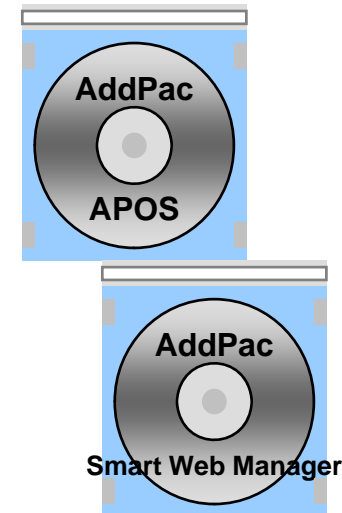
AC Power Input

Power On/Off Switch

Software Service

AV3500 Full HD Video Codec Module

- **Built-in AddPac APOS Internetworking Software**
 - Scalability, Functionality, and Stability Features
 - Full HD Video Encoding/Decoding Service Features
 - Video Upscale and Downscaling Service
- **Firmware Upgradeable Architecture**
- **Industry Standard Network Protocol Features**
- **Highly User Friendly Management Features**
 - Smart Web Management
 - Telnet or RS-232C based Command Line Interface



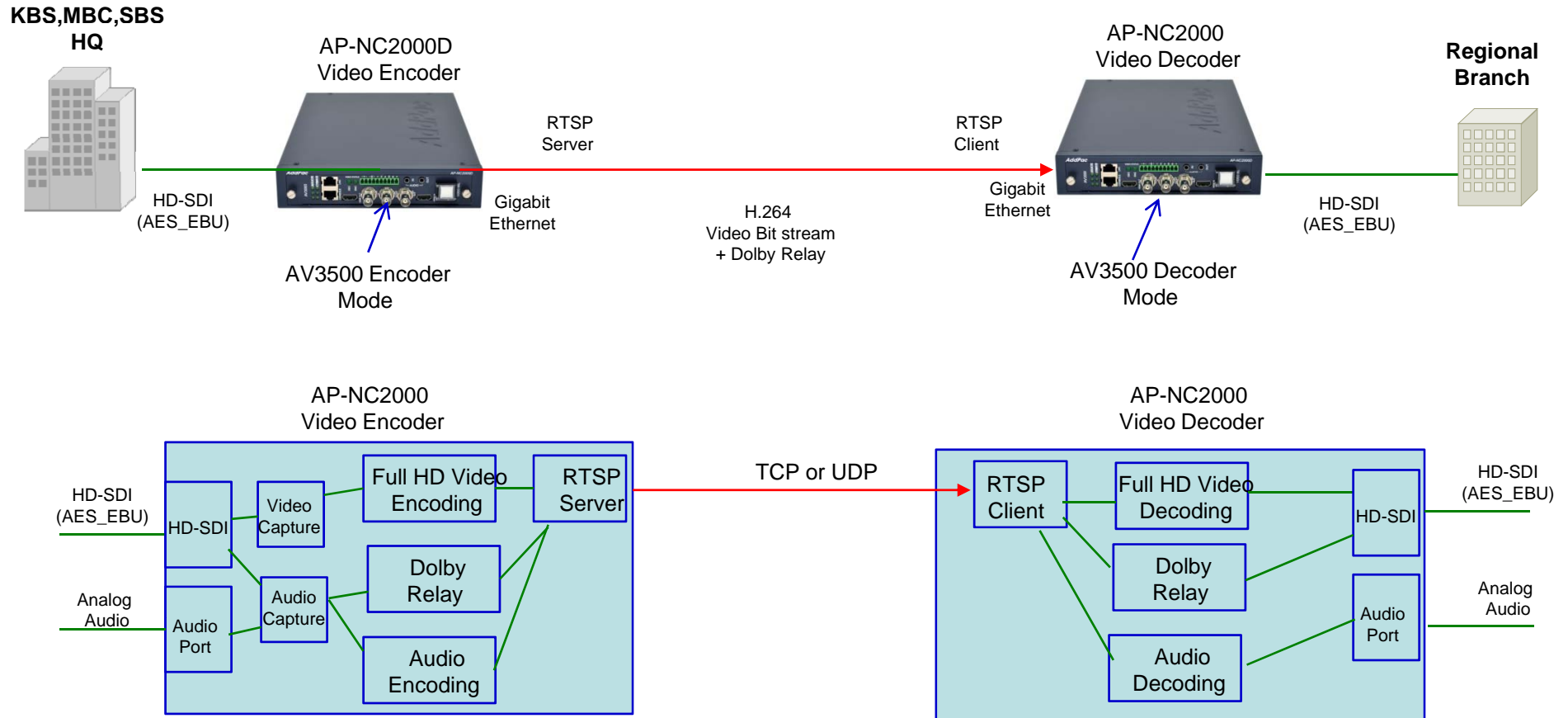
AV3500 Specification

AV3500 Full HD Video Codec Module

AV3500 Specification		
Video	Input	HD-SDI, HDMI, Analog CVS
	Output	HD-SDI, HDMI, Analog CVS
	Format	1080i, 720P, D1(NSTC, PAL)
	Coding	H.264 (HP/MP/BP)
Audio	Input	AES_EBU in HD-SDI, 1xAnalog Stereo Pair
	Output	AES_EBU in HD-SDI, 1xAnalog Stereo Pair
	Coding	Dolby Pass-Thru(Relay), G.711, G.726, etc
Network Interface		1 x 10/100/1000Mbps Gigabit Ethernet, 1 x RS232 Interface for Console
Protocol		RTSP (TCP, UDP), RTP

RTSP Service Network Diagram

AV3500 Full HD Video Codec Module



RTSP Service Features

AV3500 Full HD Video Codec Module

- AV3500 Video Encoder Mode
 - RTSP Server Mode
 - Multi-Channel RTSP Server Mode
 - RTSP, TCP Protocol Support for Error Robust Service
- AV3500 Video Decoder Mode
 - RTSP Client Mode
 - RTSP/TCP or RTSP/UDP Mode Support

Network Service and Features

AV3500 Full HD Video Codec Module

Basic Network Protocols

- ARP, IPv4, TCP, UDP, ICMP, SCTP, IGMP, MLD

Routing Protocol

- IPv4 : Static

Service Protocol

- FTP, Telnet, TFTP, DHCP Server/Relay, SNMP Server
- CDP (Cisco Discovery Protocol)
- DNS Resolver , DDNS(nsupdate)
- Bridge
- Syslog

IPv4 Address Configuration

- Fixed (Static)
- DHCP
- PPPoE

Miscellaneous

- Standard & Extended IPv4 Access List
- Multi-level User Account Management
- IP accounting

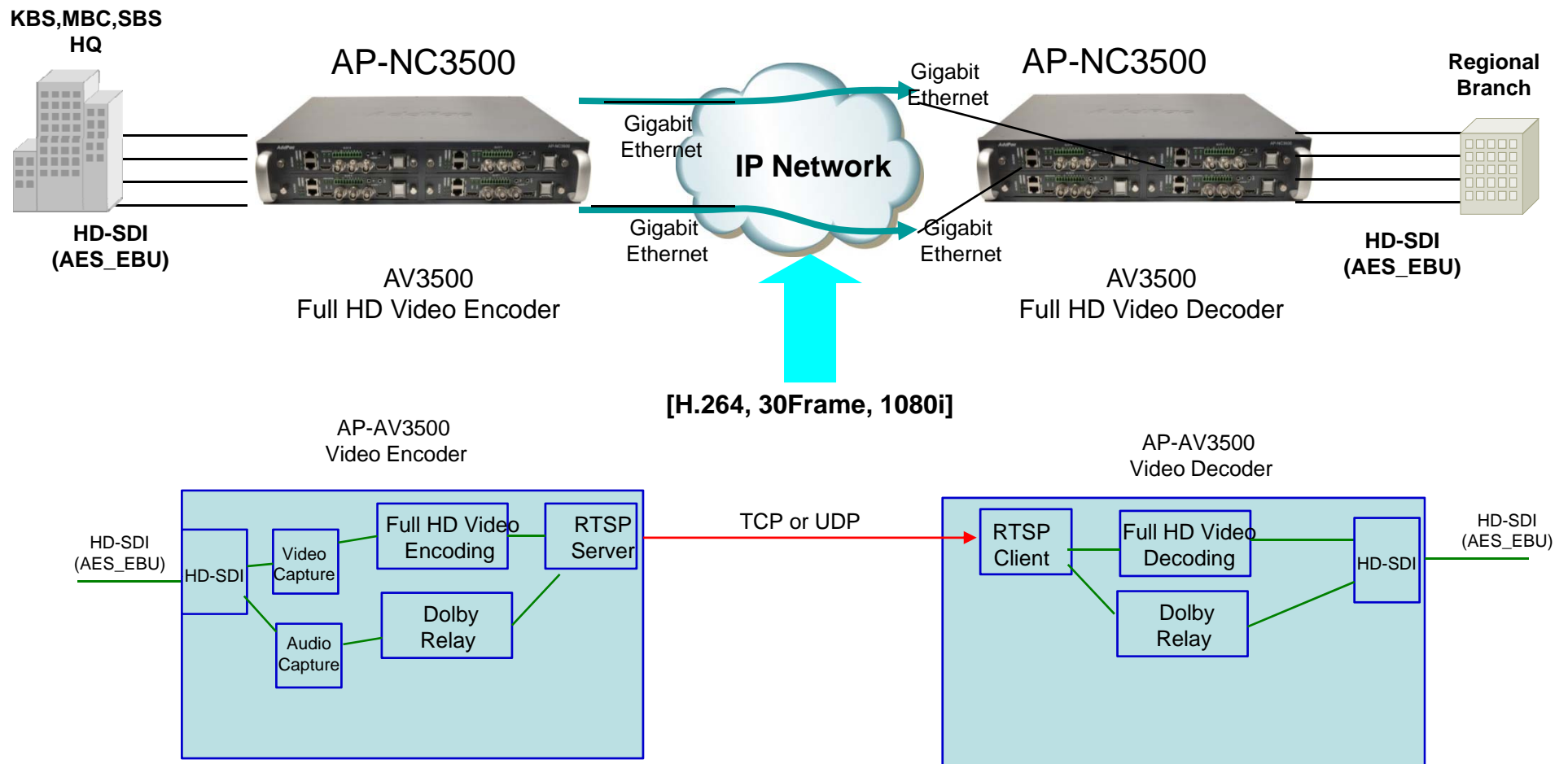
AV3500 Full HD Video Codec

Application Area

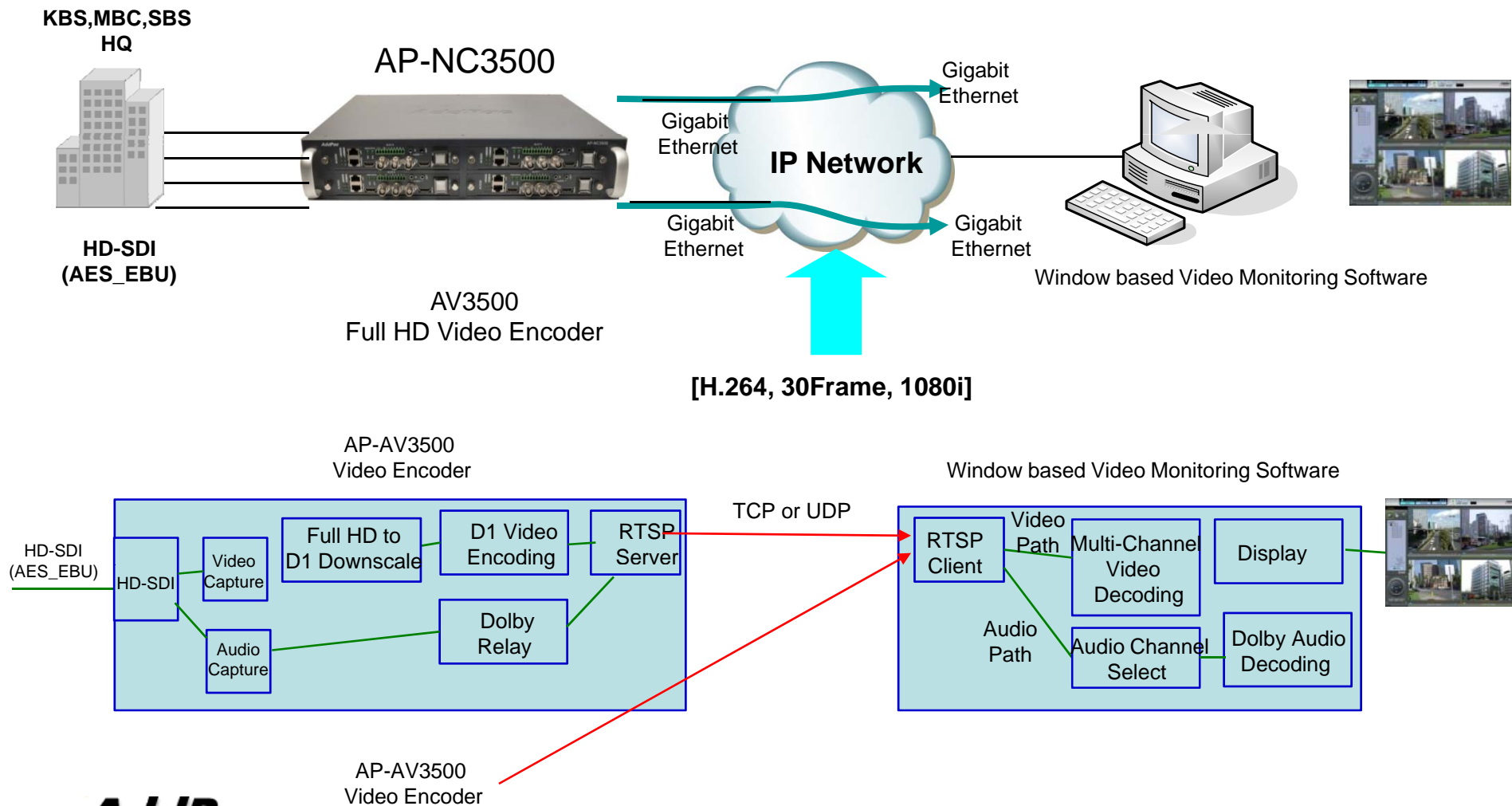
- Video Line Extension
- Video Line Monitoring



Video Line Extension



Video Line Monitoring



Ordering Information

- AV3500 Full HD Video Codec Module
 - Main Chassis (Option) : AP-NC2000, AP-NC3000, AP-NC3500, AP-NC5000
 - AP3500 Full HD Video Codec Module
 - Including Network Cable Set & Power Supply Cable, etc
- Built-in APOS Internetworking Software for AV3500 Module
- Including 1 Year Hardware Warranty
- Product Documents
 - Install and Operation Guide (PDF)
- Pricing
 - AddPac Technology Regional Sales Manager
 - Authorized Sales and Marketing Representatives
 - Please Contact www.addpac.com



Thank you!

AddPac Technology Co., Ltd.
Sales and Marketing

Phone +82.2.568.3848 (KOREA)

FAX +82.2.568.3847 (KOREA)

E-mail sales@addpac.com