

AP-GS2700™

Multi-Port GSM Gateway

High Performance GSM Gateway Solution

H/W Design Concept



AddPac

AddPac Technology

2011, Sales and Marketing

www.addpac.com

Contents

- Product Overview
- Hardware Specification
- AP-N1-GSM4 Module Diagram
- AP-N1-CDMA4 Module Diagram
- AP-N1-GSM4 H/W Block Diagram
- AP-N1-CDMA4 H/W Block Diagram
- 24-Port GSM Service Configuration
- 20-Port GSM + 1-Port Digital E1/T1 Service Configuration
- 24-Port GSM Service Network Diagram

Product Overview

- Six(6) Module Slots for 4-Port GSM Module, 8FXS/8FXO Analog Interface (Up to **24-Port GSM**, Digital E1/T1 Module, etc)
- H.323/SIP Dual Concurrent Stack Embedded
- High Performance RISC & Programmable DSP Architecture
- G.711/G.726/G.723/G.729, T.38 Fax , VAD, etc
- Powerful Network Protocols (PPPoE, DHCP, Static Routing, etc)
- Two(2)10/100Mbps Fast Ethernet
- One(1) RS-232C Port for Command Line Interface
- Firmware Upgradeable Architecture
- VPMS (VoIP Plug&Play Management System) & NMS for Large Scale Deployment
- Advanced Voice QoS Mechanism
- Rack Mountable Chassis with Internal Power Supply

Hardware Specification

RISC
CPU

High-end
DSP

- RISC Microprocessor Computing Power
- Six(6) Module Slot for GSM, Analog Interface
- 4-Port GSM Module(AP-N1-GSM4)
 - 4-Port SIM Card Slot
 - One(1) GSM Antenna Interface (Internal 4 Channel Combiner)
 - Hot-Swap
- VoIP Interface Module
 - 8-Port FXS Module (AP-N1-FXS8)
 - 8-Port FXO Module (AP-N1-FXO8)
 - Digital E1/T1 Module (AP-N1-E1)
 - Hot-Swap
- Network Interface
 - Two(2) 10/100Mbps Fast Ethernet (RJ45)
- RS232C Console Interface for CLI
- Run LED, LAN LED, Port LEDs
- Internal Power Supply



Hardware Specification

RISC
CPU

High-end
DSP

Front Side View



RS232C Port

LAN1

LAN0

Port LEDs

AddPac

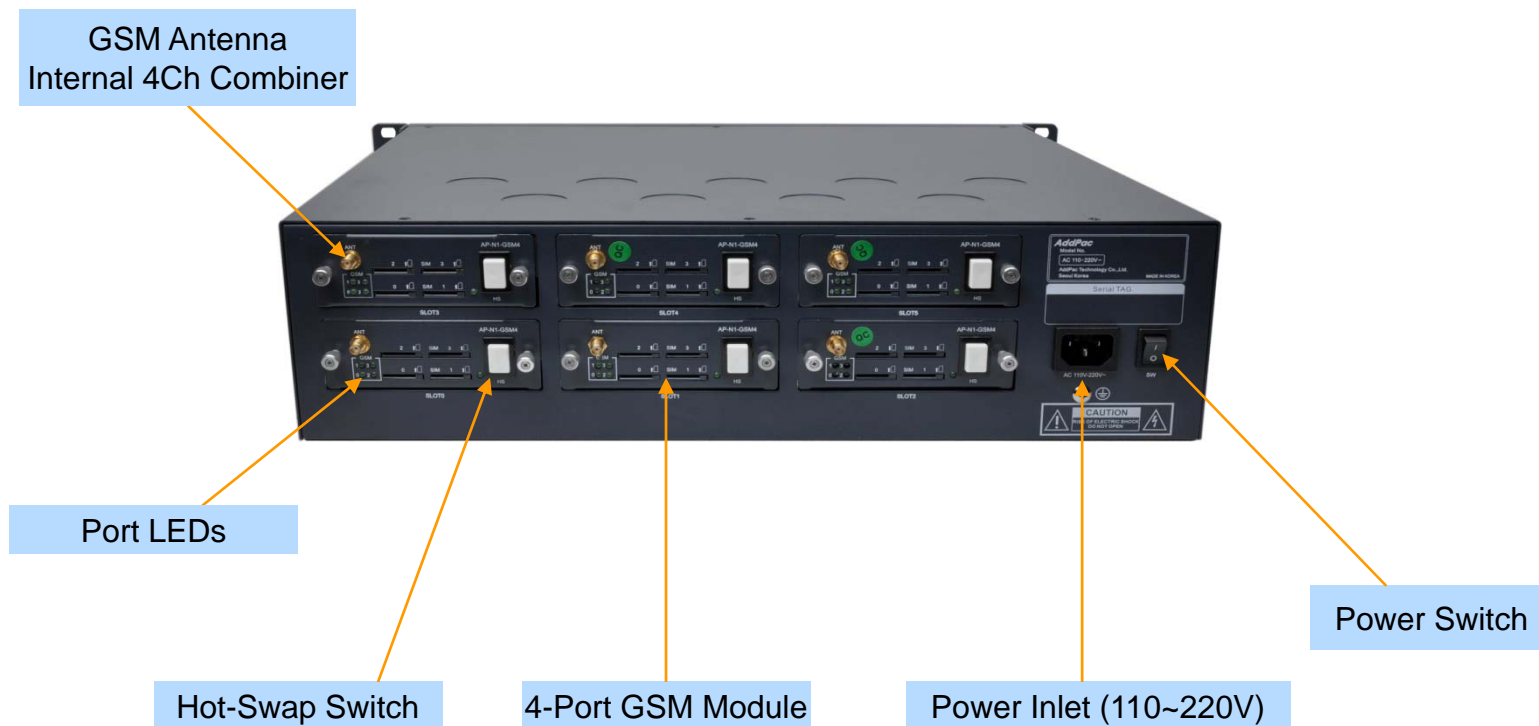
www.addpac.com

Hardware Specification

RISC
CPU

High-end
DSP

Back Side View



AP-N1-GSM4 Module Diagram

RISC
CPU

High-end
DSP

SIM Card Slot



AP-N1-GSM4
(4-Port GSM Module)

GSM Antenna
Internal 4Ch Combiner

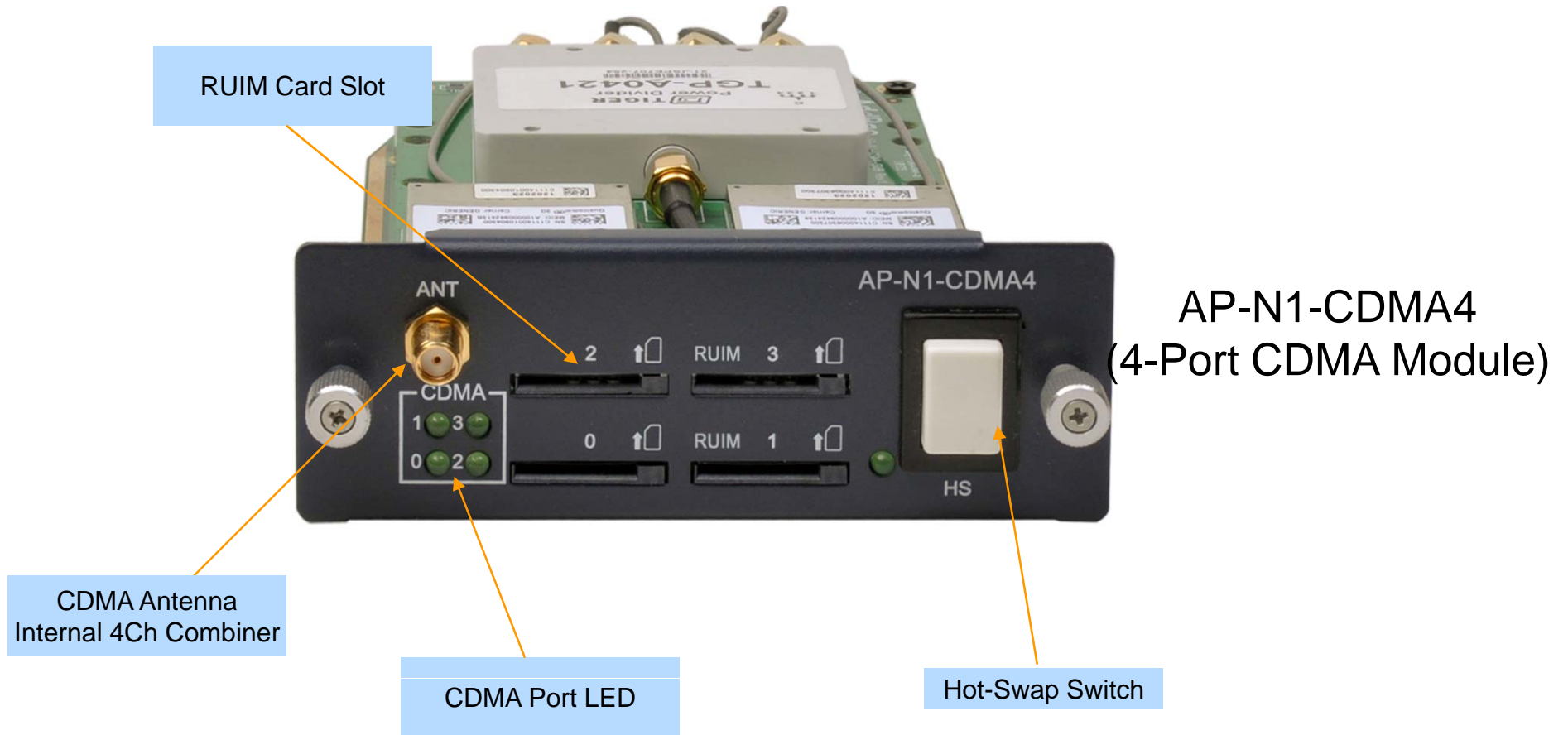
Hot-Swap Switch

Port LEDs

AP-N1-CDMA4 Module Diagram

RISC
CPU

High-end
DSP



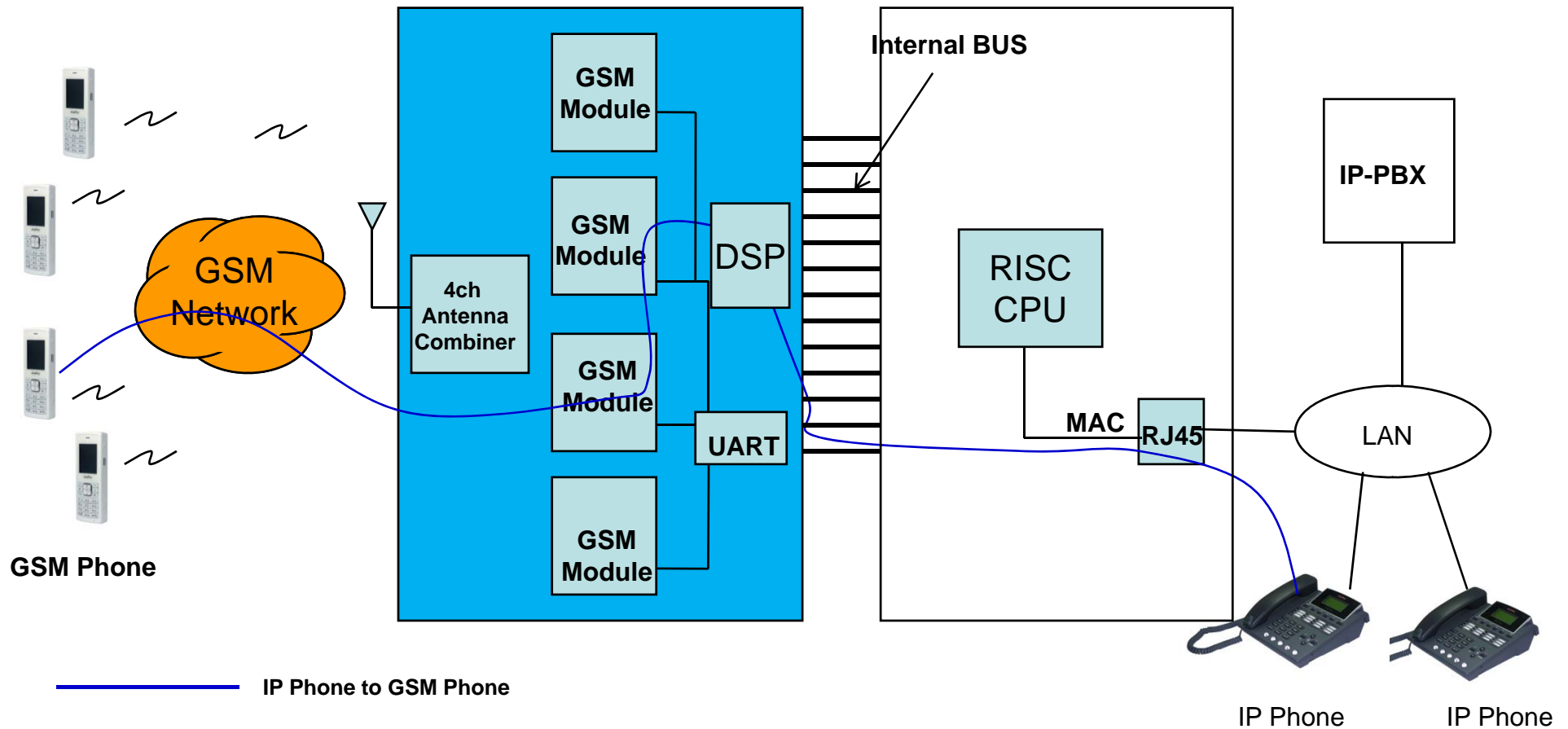
AP-N1-GSM4 H/W Block Diagram

RISC
CPU

High-end
DSP

GSM Gateway Service Diagram

AP-N1-GSM4 4-Port GSM Module Internal H/W Block Diagram



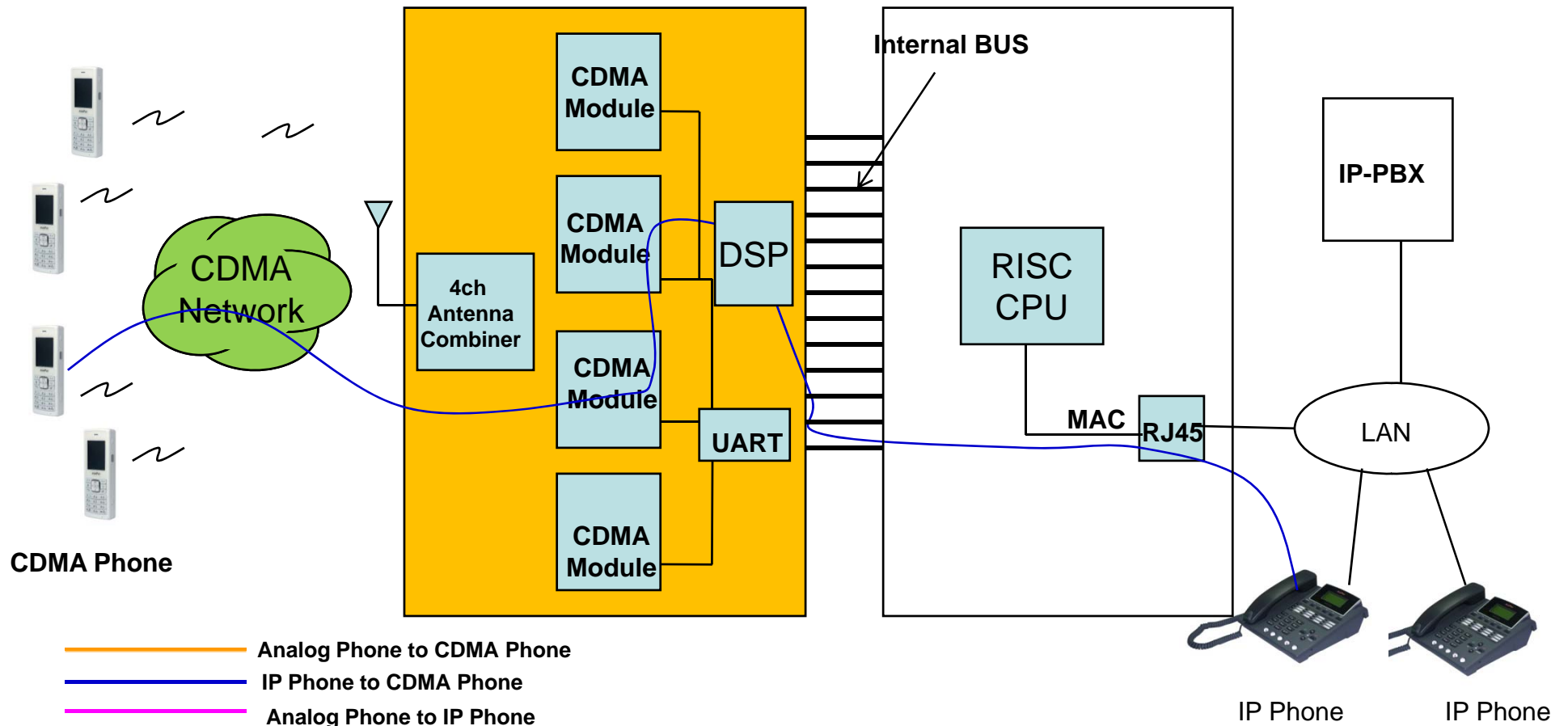
AP-N1-CDMA4 H/W Block Diagram

RISC
CPU

High-end
DSP

CDMA Gateway Service Diagram

AP-N1-CDMA4 4-Port CDMA Module Internal H/W Block Diagram

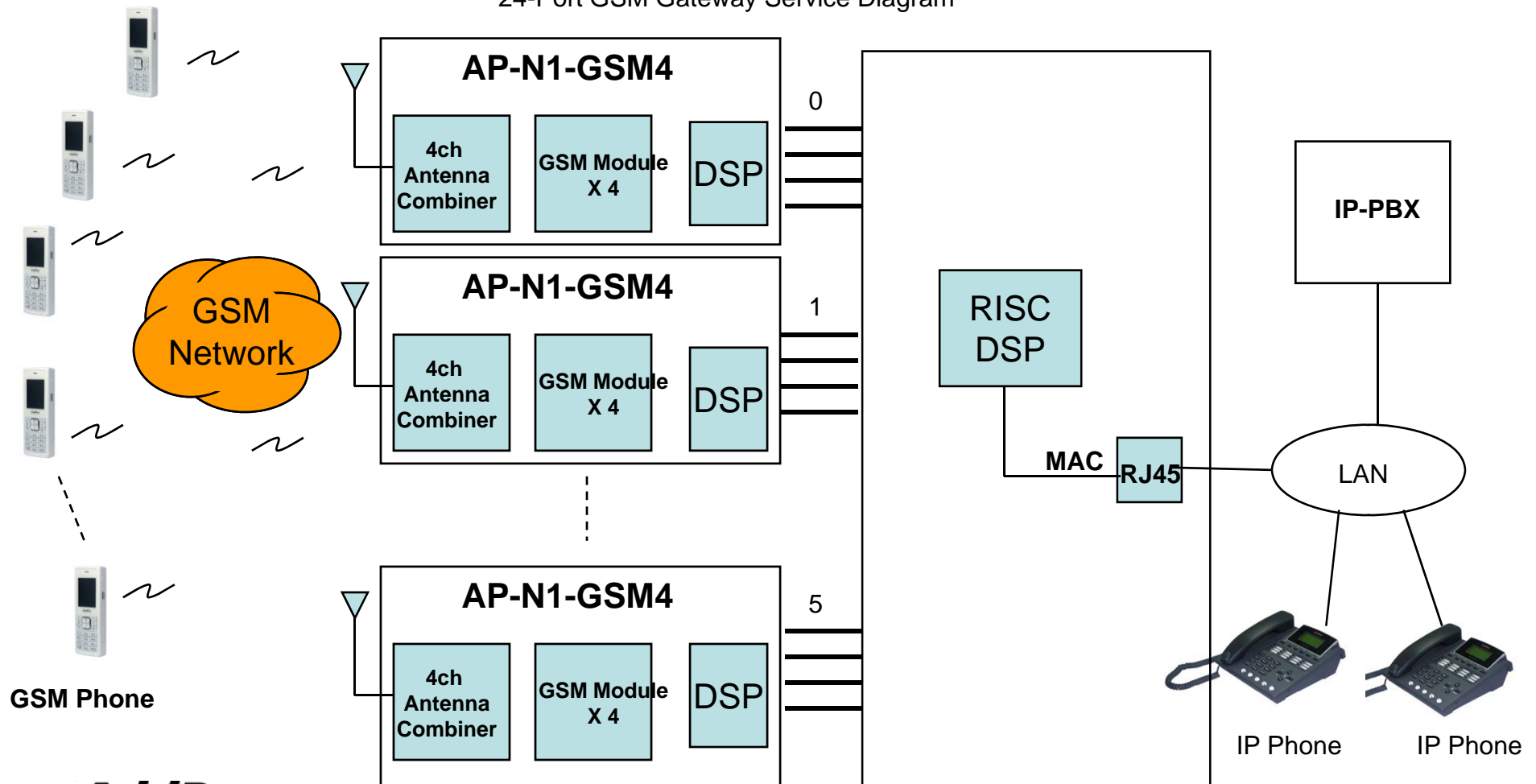


- Analog Phone to CDMA Phone
- IP Phone to CDMA Phone
- Analog Phone to IP Phone

24-Port GSM Interface Configuration

GSM Gateway Service Diagram

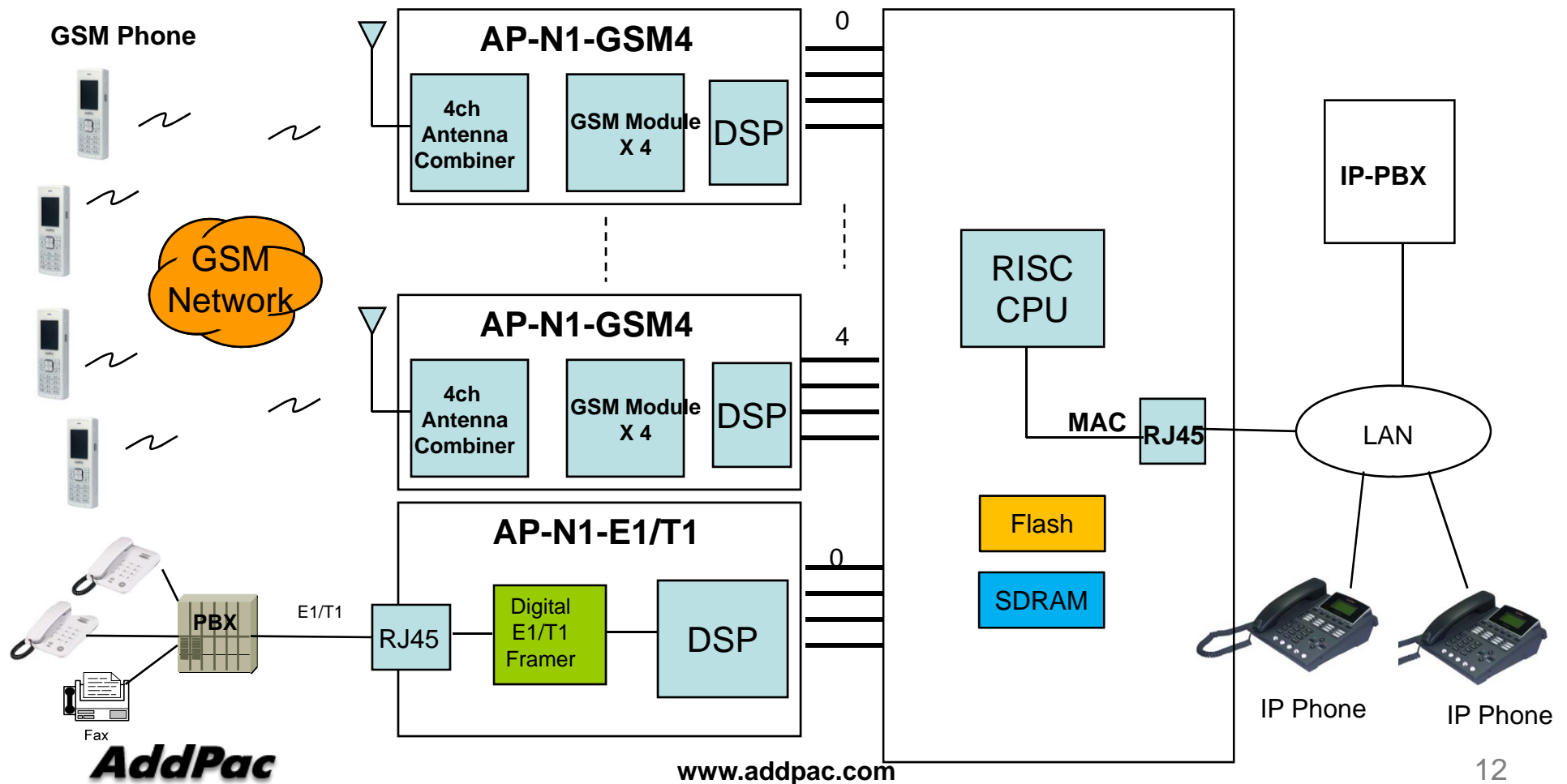
24-Port GSM Gateway Service Diagram



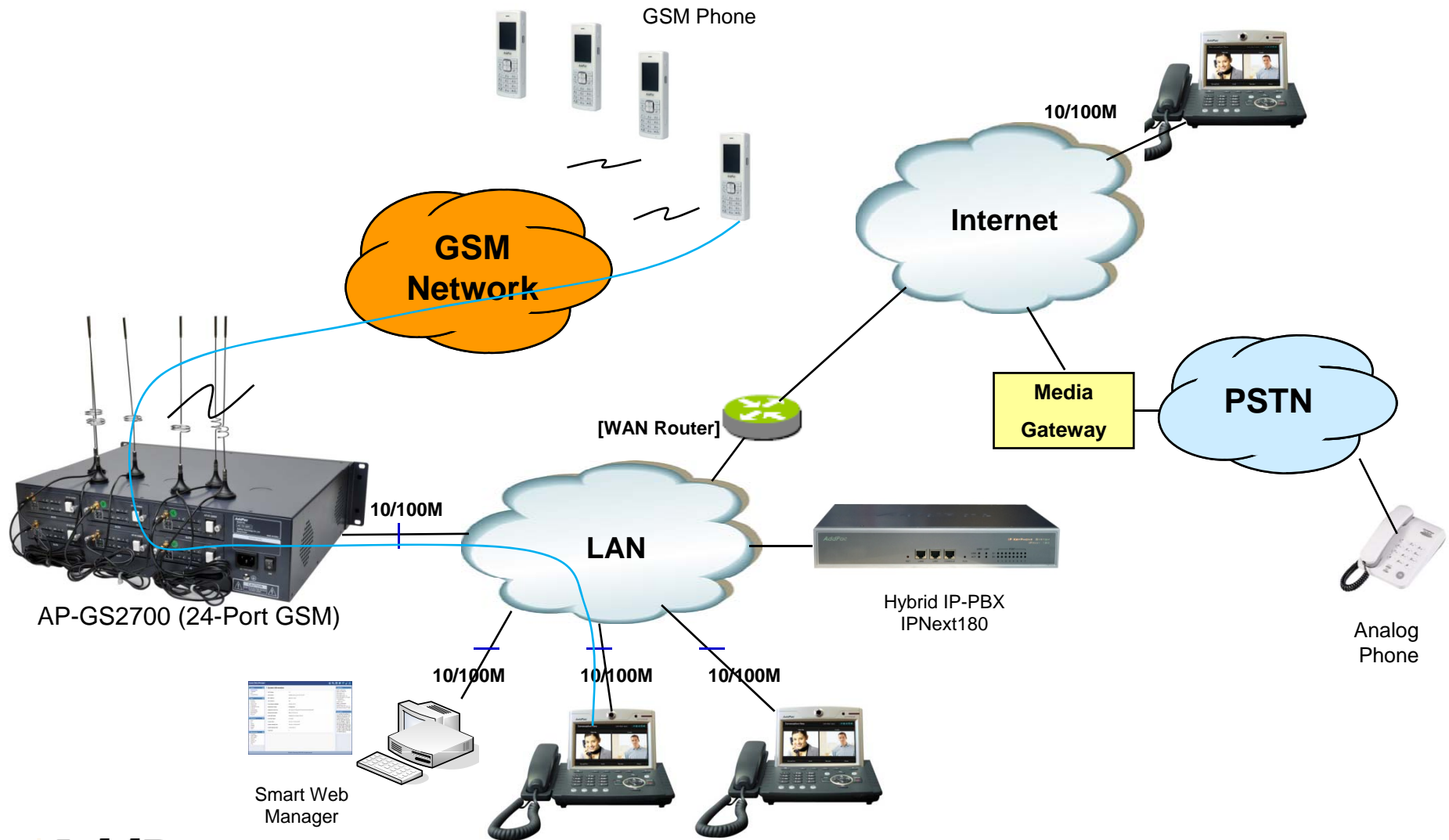
20-Port GSM + 1-Port Digital E1/T1 Configuration

GSM Gateway Service Diagram

20-Port GSM + Digital E1/T1 Gateway Service Diagram



Network Service Diagram



GSM Gateway Series

Thank you!

AddPac Technology Co., Ltd.
Sales and Marketing

Phone +82.2.568.3848 (KOREA)

FAX +82.2.568.3847 (KOREA)

E-mail sales@addpac.com