



AP-GV2800™

GSM VoIP Gateway

High Performance GSM VoIP Gateway Solution

H/W Design Concept



AddPac

AddPac Technology

2011, Sales and Marketing

www.addpac.com

Contents

- Product Overview
- Hardware Specification
- AP-N2-GSM8 Module Diagram
- AP-N2-GSM8 H/W Block Diagram
- 32-Port GSM Service Configuration
- 32-Port GSM Service Network Diagram



Product Overview

- Four(4) Module Slots for 8-Port GSM Module Interface (Up to 32-Port GSM, CPU Module)
- H.323/SIP Dual Concurrent Stack Embedded
- High Performance RISC & Programmable DSP Architecture
- G.711/G.726/G.723/G.729, T.38 Fax , VAD, etc
- Powerful Network Protocols (PPPoE, DHCP, Static Routing, etc)
- Two(2)10/100Mbps Fast Ethernet
- One(1) RS-232C Port for Command Line Interface
- Firmware Upgradeable Architecture
- Network Management System for Large Scale Deployment
- Advanced Voice QoS Mechanism
- Rack Mountable Chassis

Hardware Specification

RISC
CPU

High-end
DSP

- RISC Microprocessor Computing Power
- Four(4) Module Slot for GSM Interface Module
- 8-Port GSM Module(AP-N2-GSM8)
 - 8-Port SIM Card Slot
 - Two(2) GSM Antenna Interface (Internal 4 Channel Combiner x 2)
 - Hot-Swap
- Network Interface
 - Two(2) 10/100Mbps Fast Ethernet (RJ45)
- RS232C Console Interface for CLI
- Run LED, LAN LED, Port LEDs
- Built-in Free Voltage Power Supply

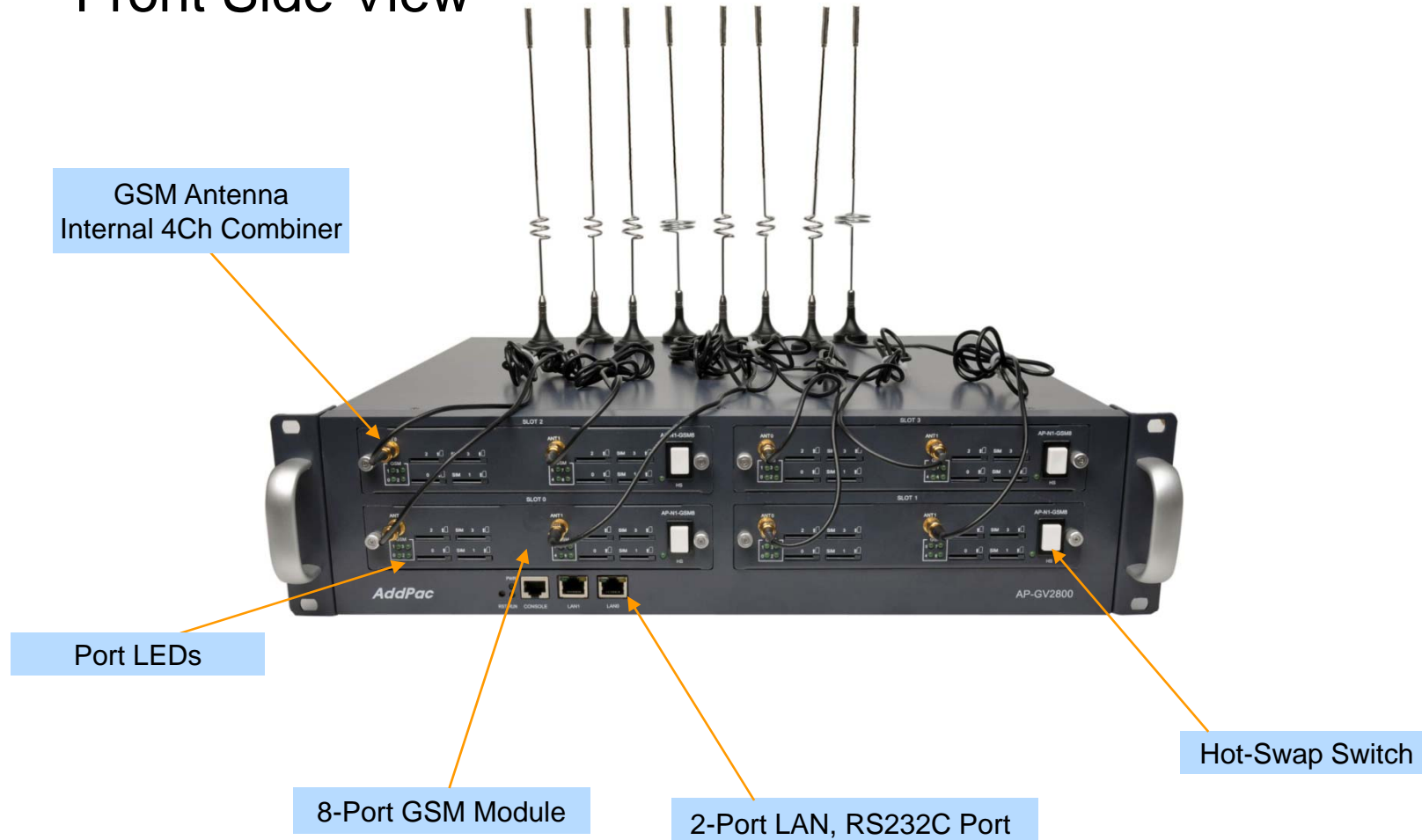


Hardware Specification

RISC
CPU

High-end
DSP

Front Side View

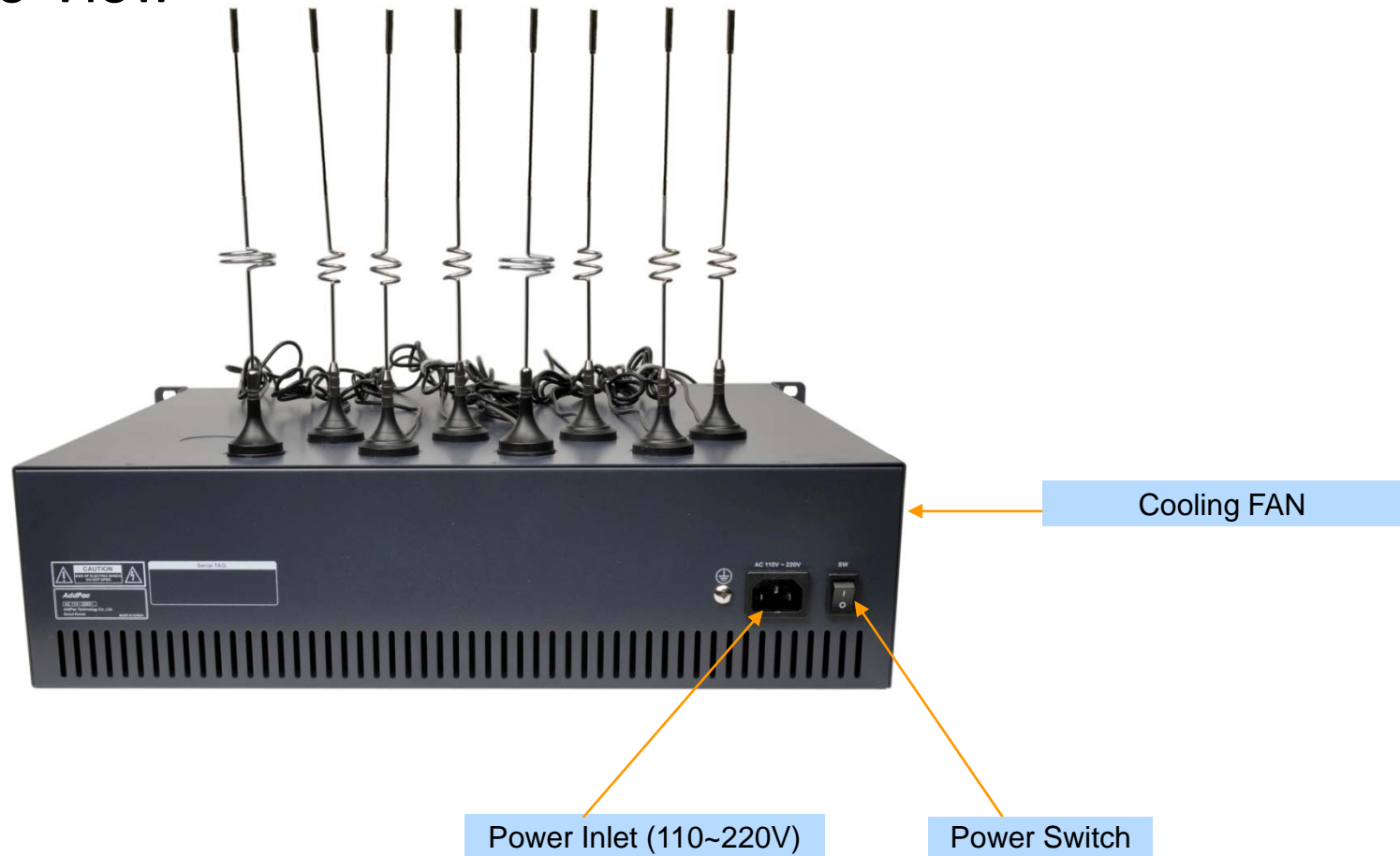


Hardware Specification

RISC
CPU

High-end
DSP

Back Side View



AP-N2-GSM8 GSM Module Diagram

RISC
CPU

High-end
DSP

AP-N2-GSM8 (8-Port GSM Module)

SIM Card Slot



GSM Antenna
Internal 4Ch Combiner

Port LEDs

Hot-Swap Switch

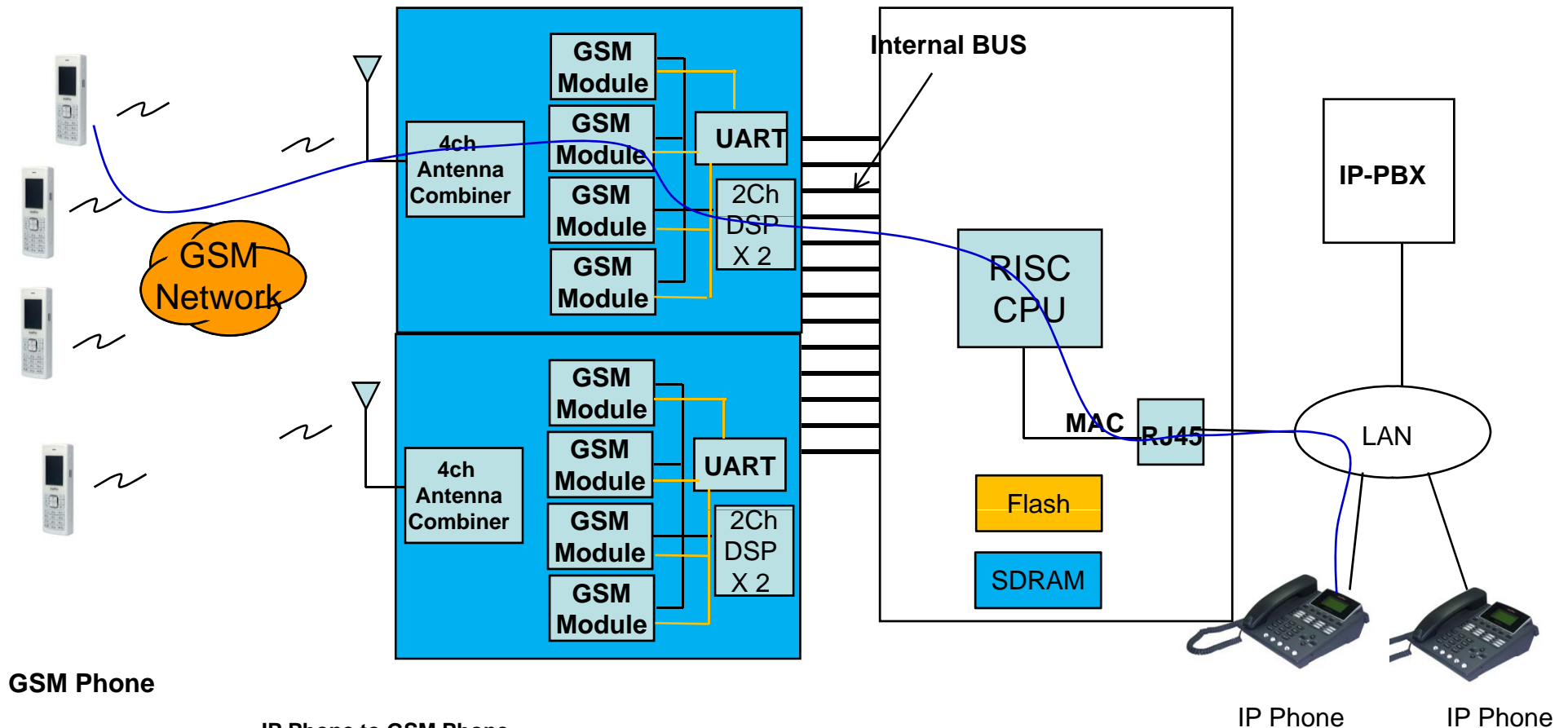
AP-N2-GSM8 H/W Block Diagram

RISC
CPU

High-end
DSP

GSM Gateway Service Diagram

AP-N2-GSM8 8-Port GSM Module Internal H/W Block Diagram



GSM Phone

IP Phone to GSM Phone

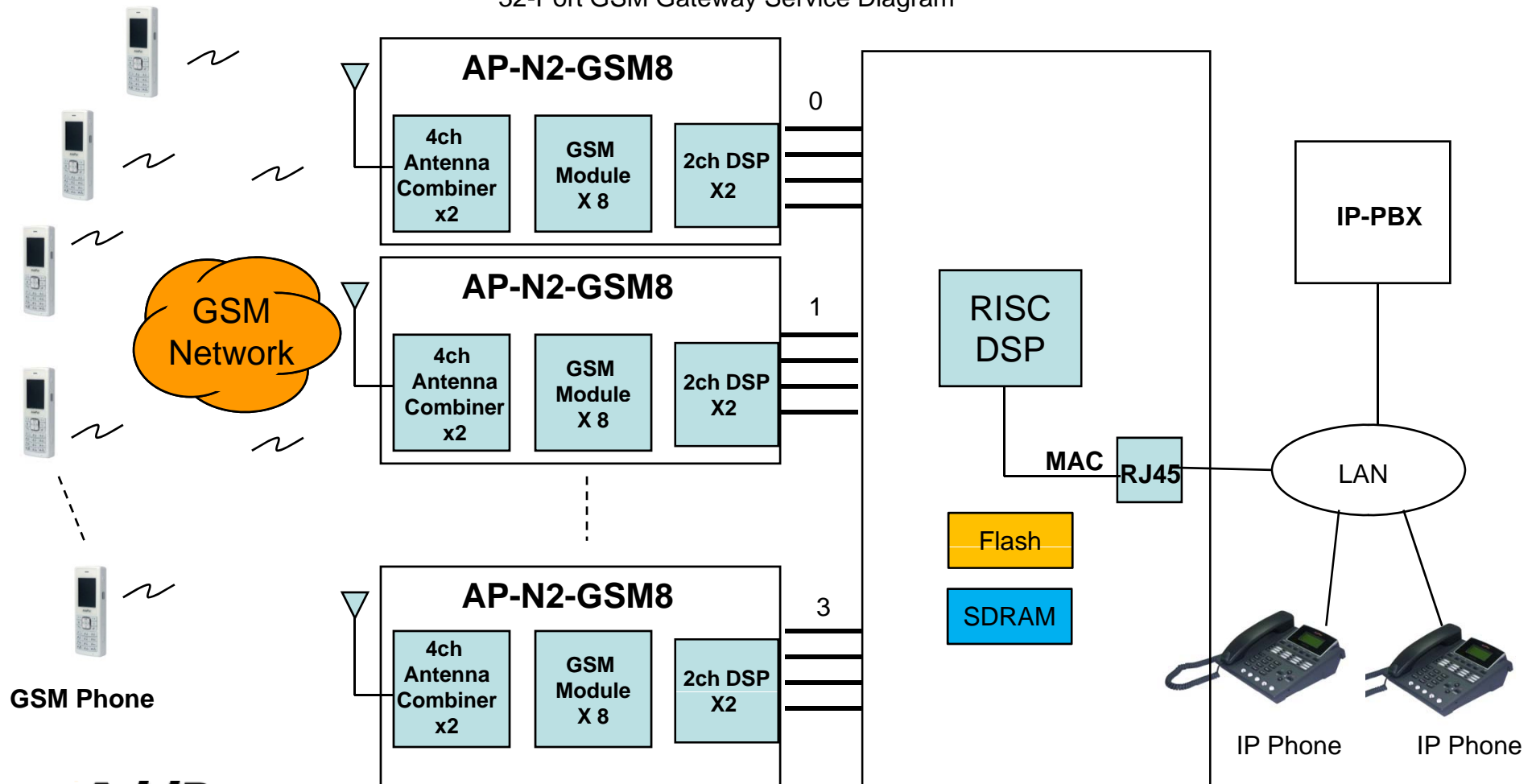
IP Phone

IP Phone

32-Port GSM Configuration

GSM Gateway Service Diagram

32-Port GSM Gateway Service Diagram

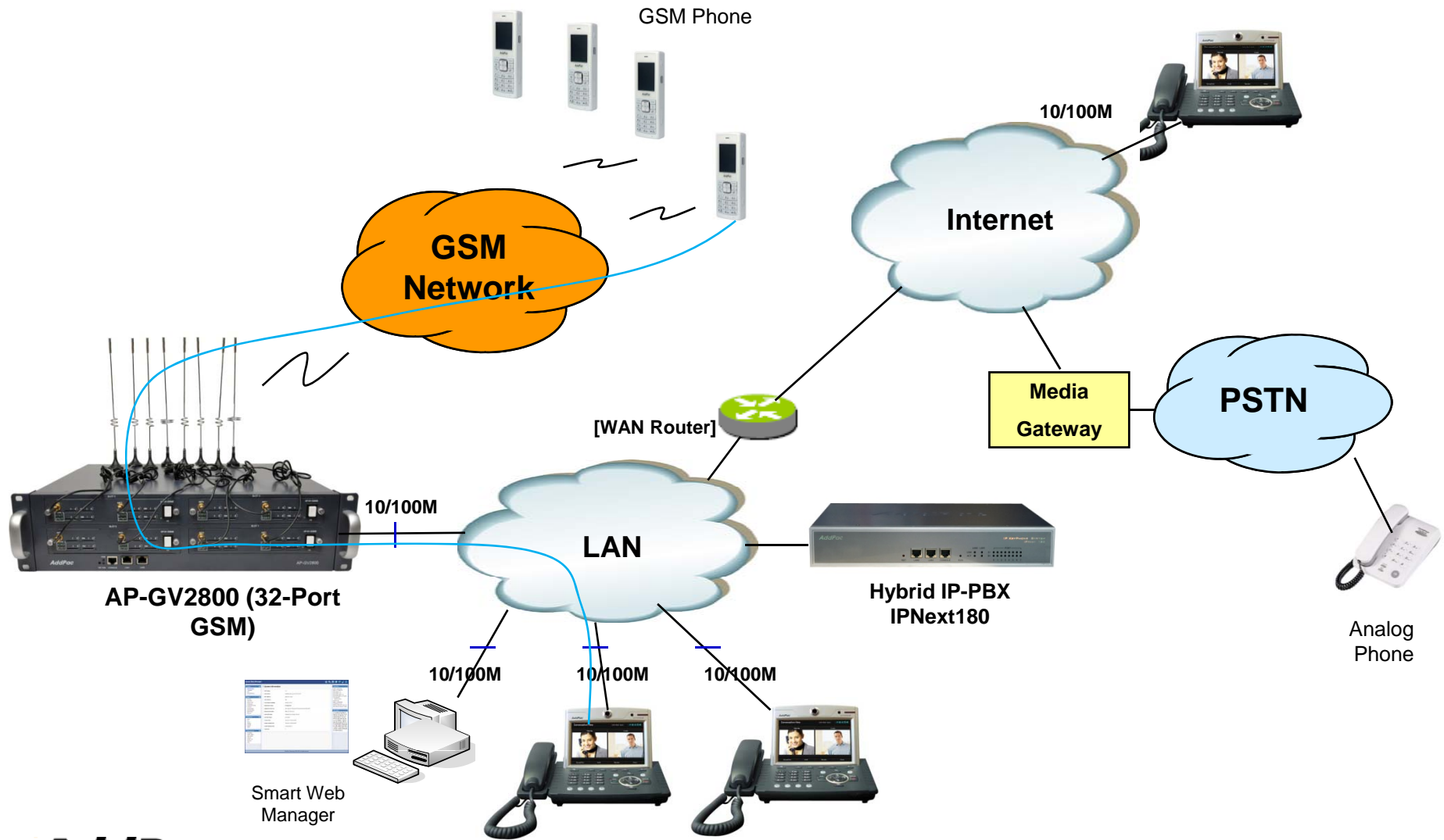


GSM Phone

AddPac

www.addpac.com

Network Service Diagram



GSM VoIP Gateway Series

Thank you!

AddPac Technology Co., Ltd.
Sales and Marketing

Phone +82.2.568.3848 (KOREA)

FAX +82.2.568.3847 (KOREA)

E-mail sales@addpac.com