

AP-VAC50

IP Video Door Phone

High Performance IP Video Door Phone Solution



LCD Power Save Mode Function
(Interworking AP-VAC50 External CASE)

Electric power corporation:
underground power utility-pipe conduit

AddPac

AddPac Technology

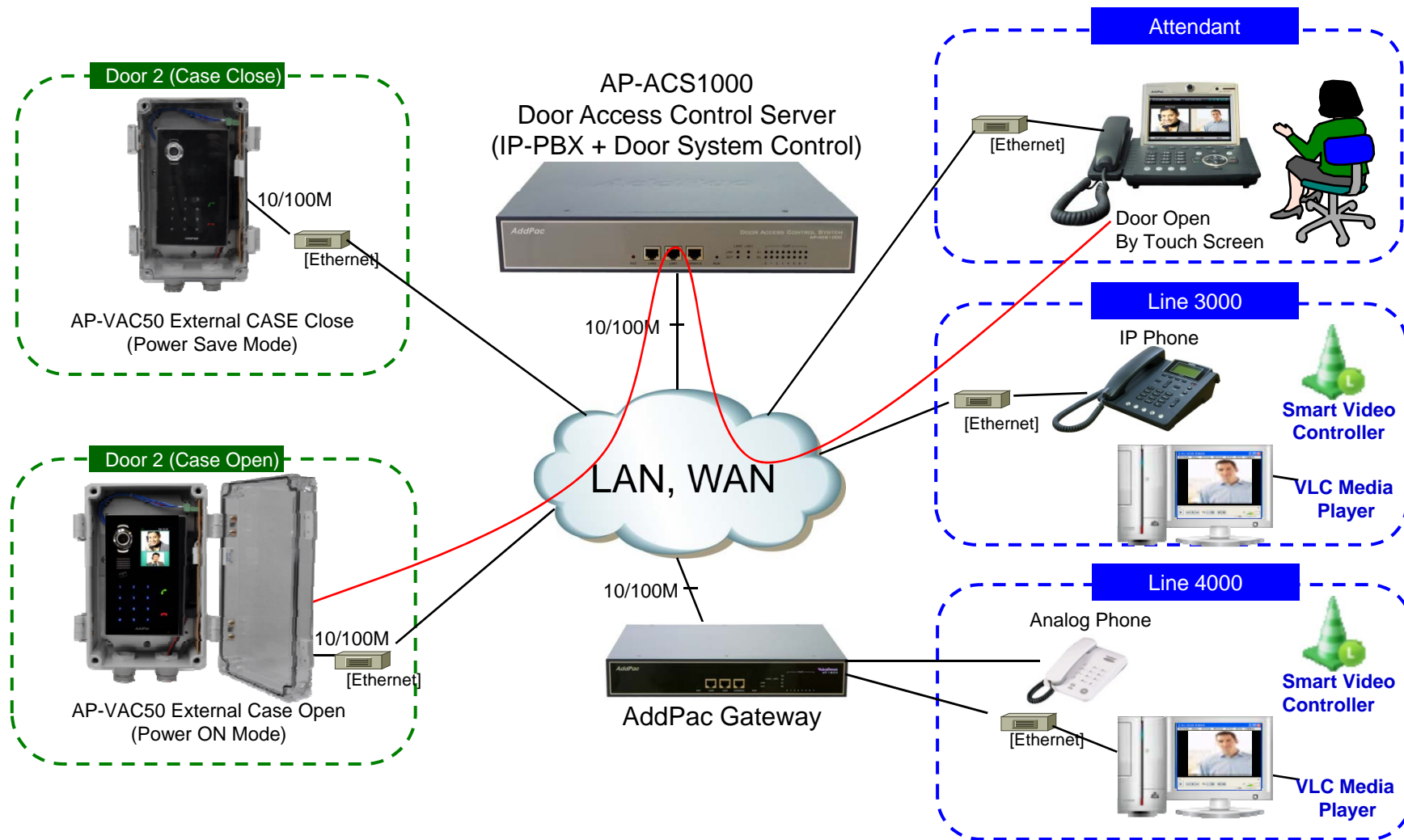
Sales and Marketing

www.addpac.com

Contents

- Color LCD Power Save Mode Service Diagram
- Device Control Configuration
- Device Control Function
 - AP-VAC50 External Case Close
 - AP-VAC50 External Case Open

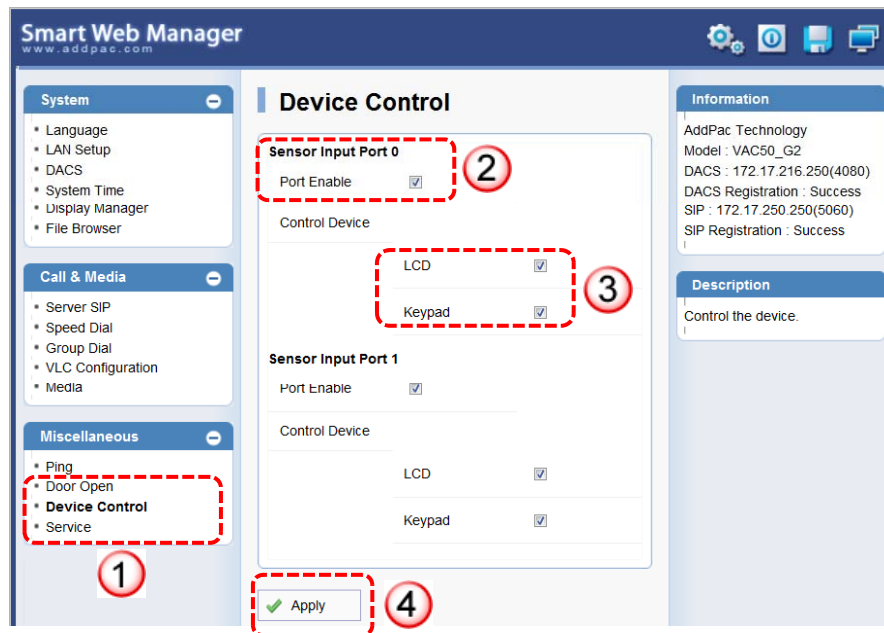
LCD Power Save Mode Service Diagram



Device Control Configuration

Power Save Mode Service Configuration

Device Control feature is configured by Smart Web Manager



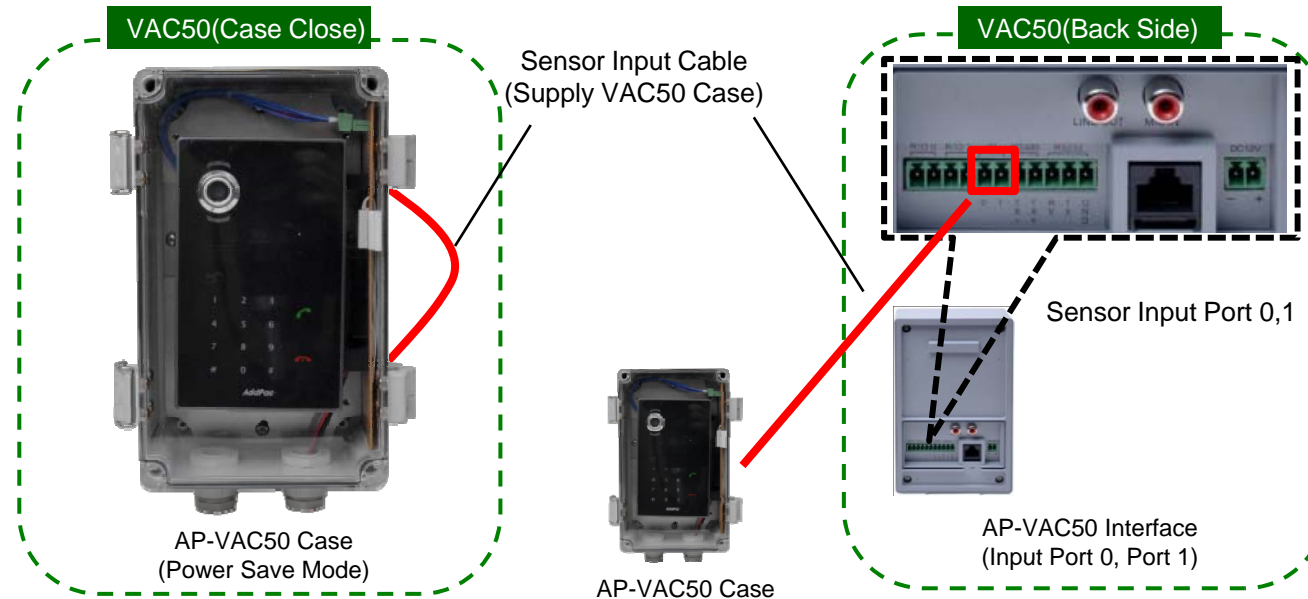
- | | |
|---|--------------------------------|
| 1 | Power Save Mode Menu |
| 2 | Sensor Input Port Enable Check |
| 3 | LCD/Keypad Power Save Mode |
| 4 | Apply Button |

[Figure 1]
AP-VAC50 Smart Web Manager

Device Control Function : AP-VAC50 External Case Close

Device Control Function

AP-VAC50 case provides sensor signal to AP-VAC50 interface

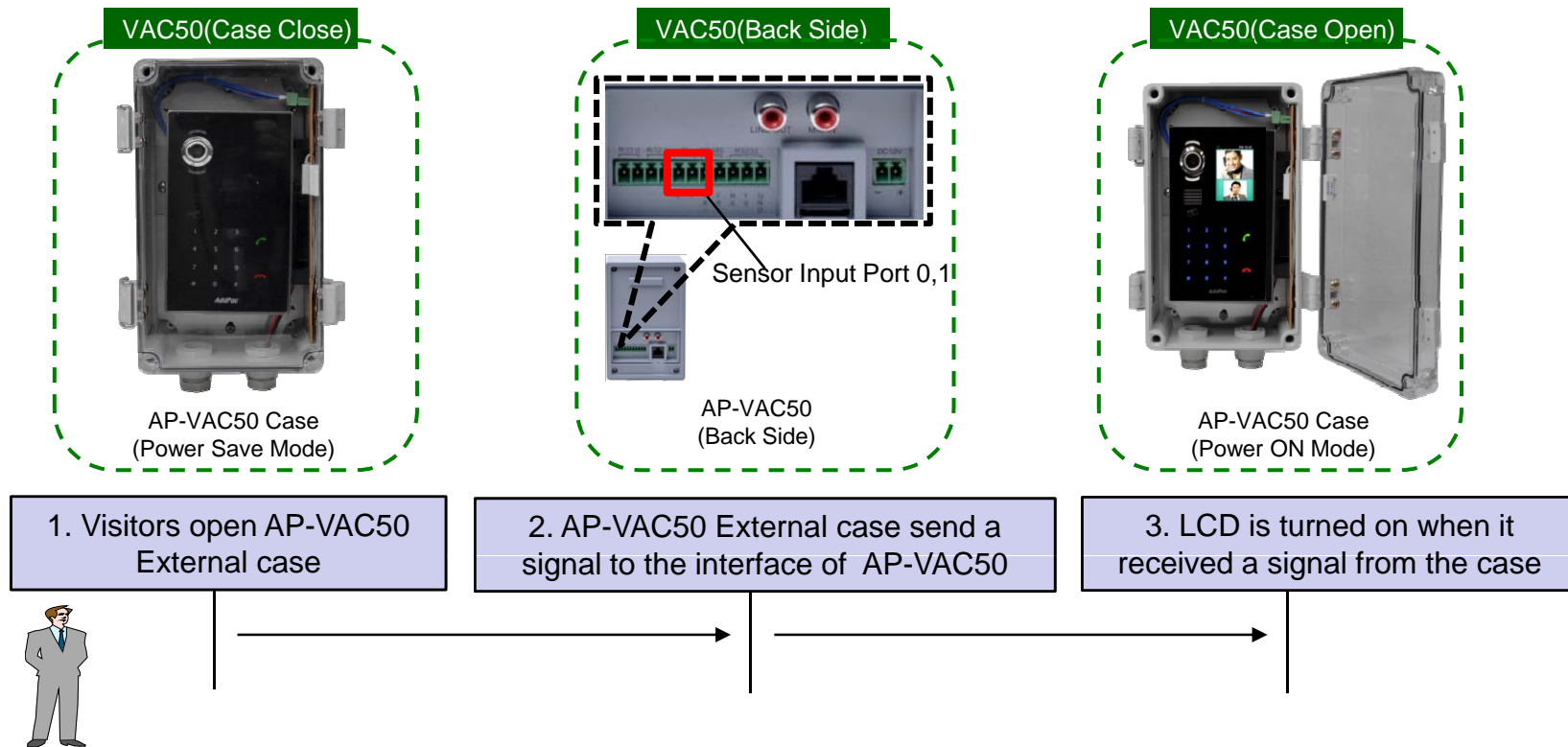


Device Control Function

: AP-VAC50 External Case Open

Device Control Function

The power of LCD is turned on when the case is opened





Thank you!

AddPac Technology Co., Ltd.
Sales and Marketing

Phone +82.2.568.3848 (KOREA)

FAX +82.2.568.3847 (KOREA)

E-mail sales@addpac.com