



AP2610 VoIP Gateway

High Performance VoIP Gateway Solution

FAX Interface Module (AP-FXS1O1F)



AddPac

AddPac Technology

Sales and Marketing

www.addpac.com


Contents

- FAX Interface Module (AP-FXS101F) for AP2610
- H/W Block Diagram
- Voice Path
 - Network Service Diagram
 - H/W Block Diagram
- FAX Path
 - Network Service Diagram
 - H/W Block Diagram






VoIP Modules



Target :
AP2610, AP2620, AP1700







New VoIP Modules

DSP

Target	Voice Modules	Module Features	Module Picture
AP2610	AP-FXS1O1F	FAX Interface Module	 A photograph of the AP-FXS1O1F FAX Interface Module. The module is a dark grey printed circuit board (PCB) with a green PCB visible on top. It features a multi-pin connector at the top, a small display or indicator area on the left with labels 'ACT', 'PSTN', 'FXO', and 'FXS', and two RJ45 ports on the right labeled 'FXS' and 'FXO'. The model number 'AP-FXS1O1F' is printed on the top right of the board.





VoIP Modules

DSP

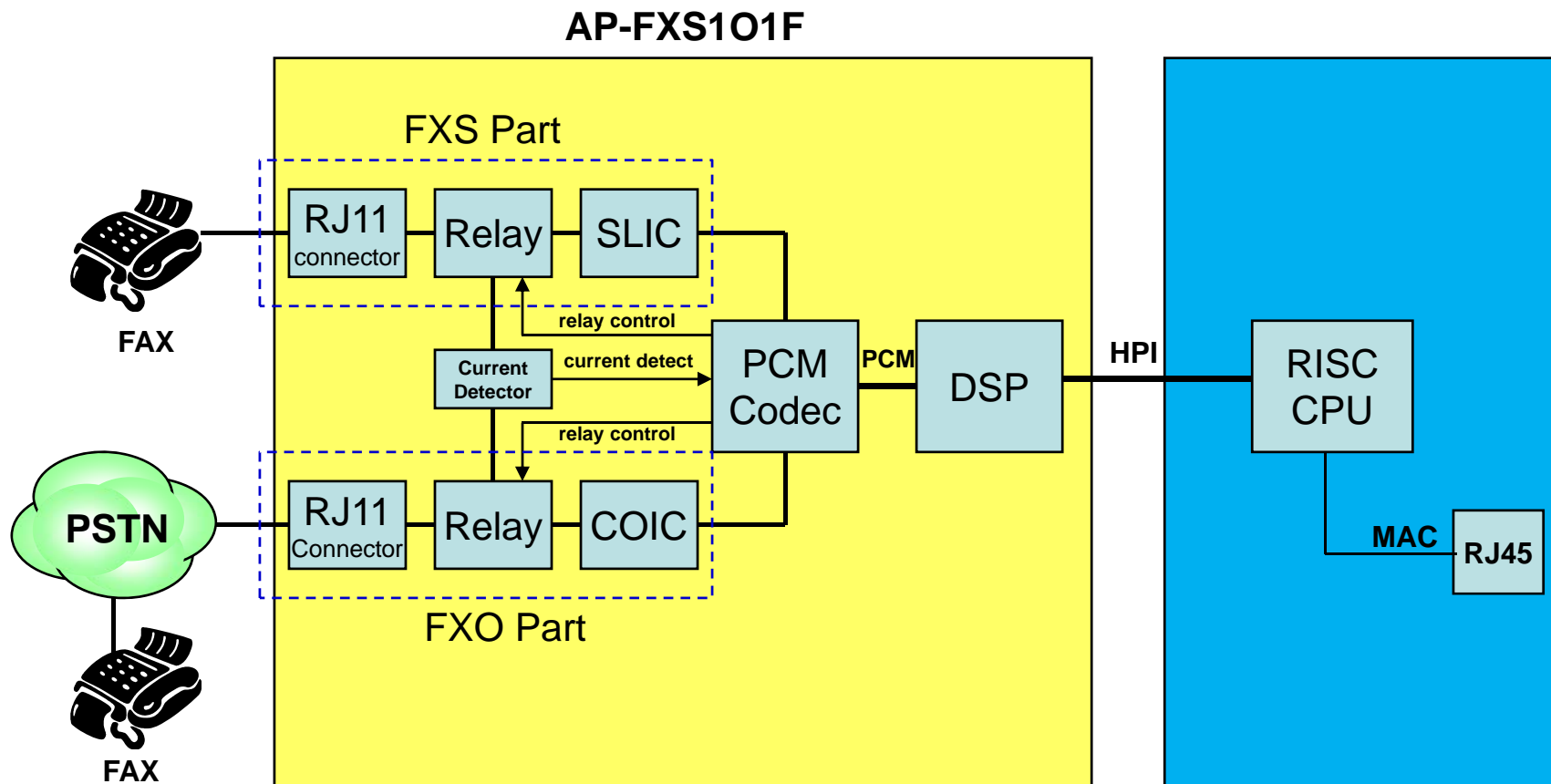
Target	VoIP Modules	Module Features	Module Picture
AP1700,AP2610 AP2620,AP3100P	AP-FXS4	4-Port FXS Module	
AP1700,AP2610 AP2620,AP3100P	AP-FXO4	4-Port FXO Module	
AP1700,AP2610 AP2620,AP3100P	AP-FXS2O2	2-Port FXS&2-Port FXO Module	
AP1700,AP2610 AP2620,AP3100P	AP-E&M4	4-Port E&M Module	
AP1700,AP2610 AP2620,AP3100P	AP-FXS3O1	3-Port FXS&1-Port FXO Module	
AP1700, AP2620	AP-E1	1-Port Digital E1/T1 Module	

Additional VoIP Modules

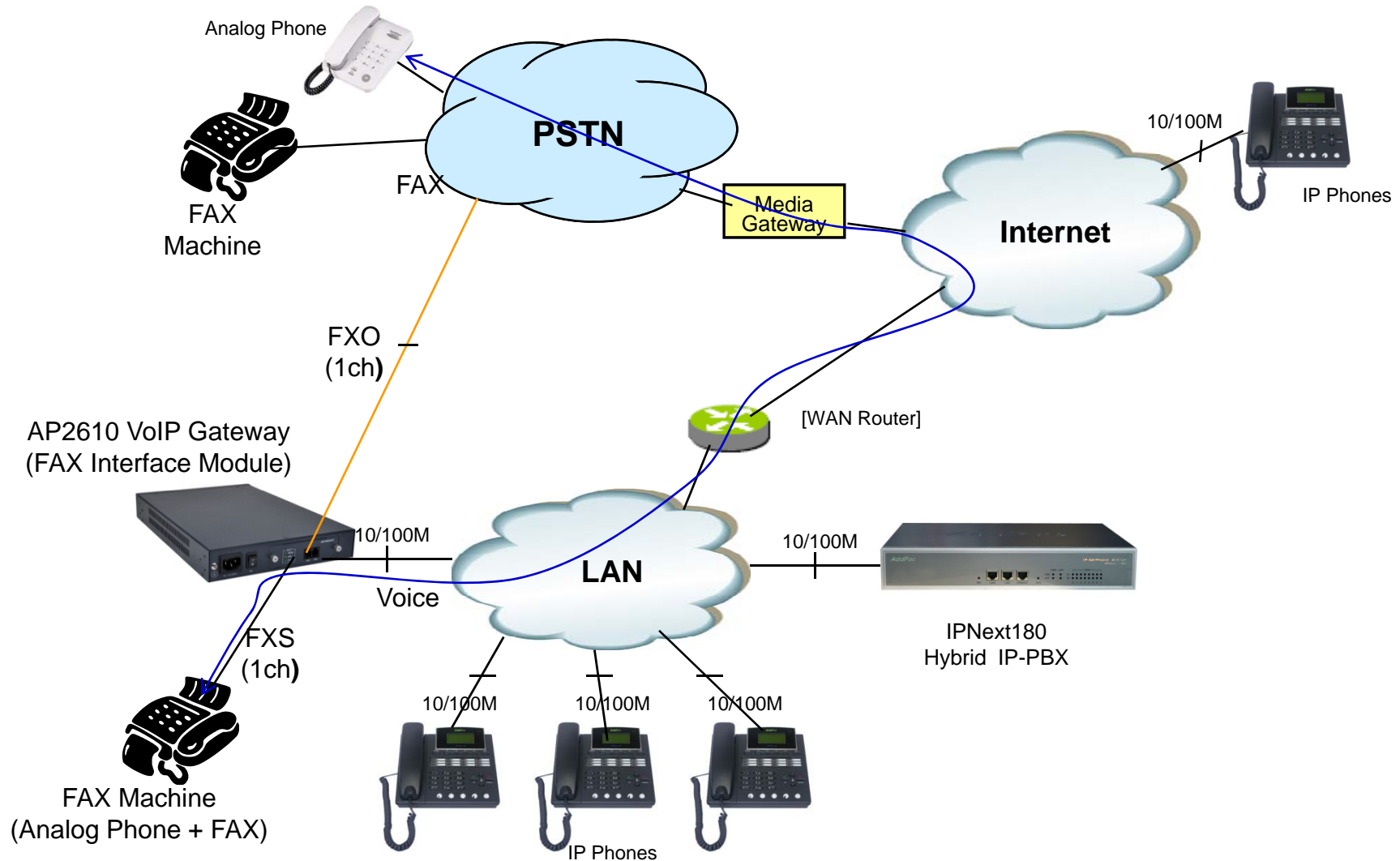
DSP

Target	Voice Modules	Module Features	Module Picture
AP2610, AP2620	AP-MP3	1-Pair Audio-In/Out Port, Direct MIC-In, Headphone High Quality Audio Band IP Broadcasting	
AP2610 AP2620	AP-AUDIO2	2-Pair Audio-In/Out Ports Voice Band IP Broadcasting	
AP2610, AP2620	AP-AUD1S3	1-Pair Audio-In/Out Ports, FXS Analog Interface Voice Band IP Broadcasting	
AP2610, AP2620	AP-AUD1S2O1	1-Pair Audio-In/Out Ports, FXS 2-Ports, FXO 1-Port Voice Band IP Broadcasting	

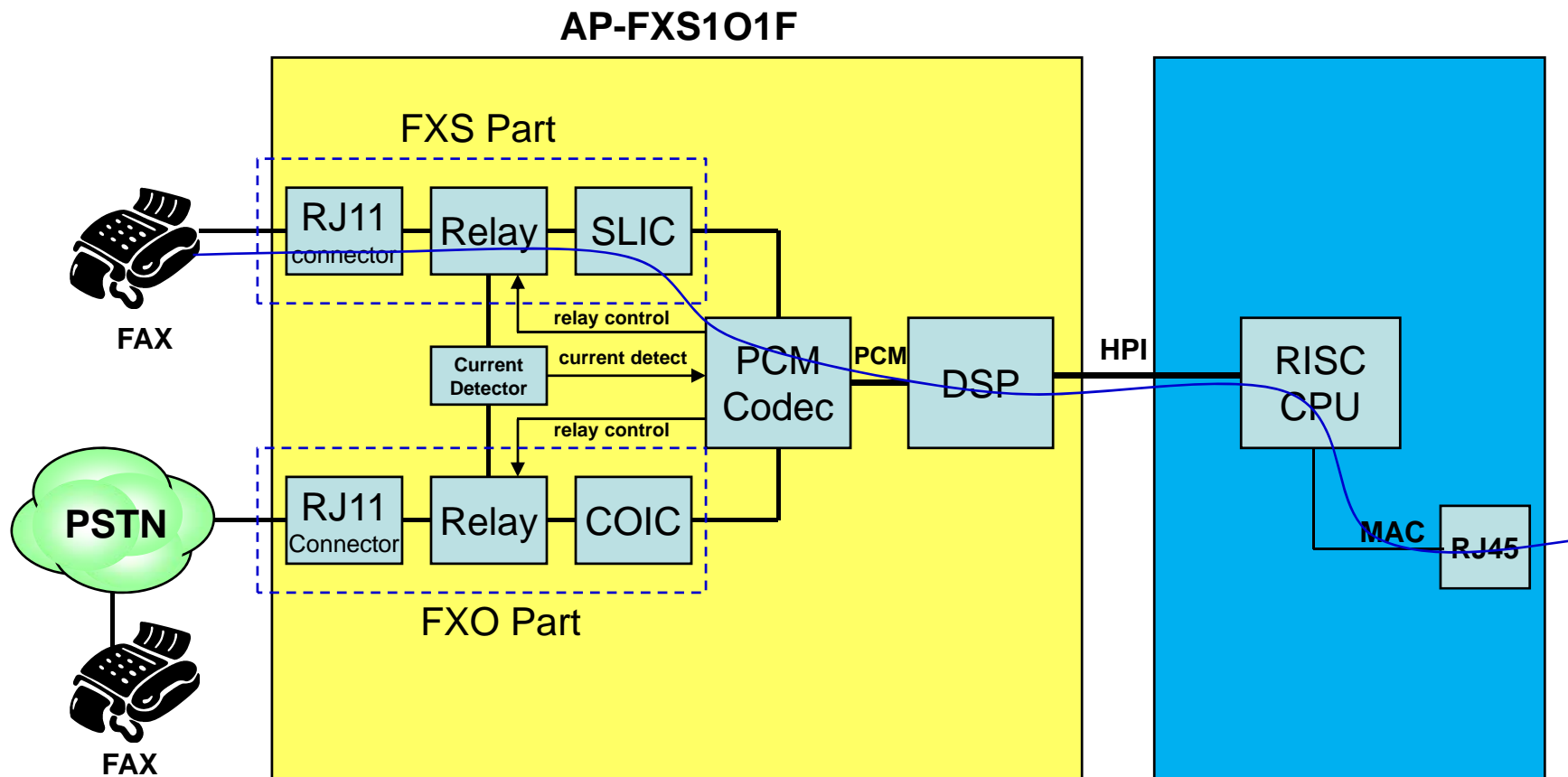
H/W Block Diagram



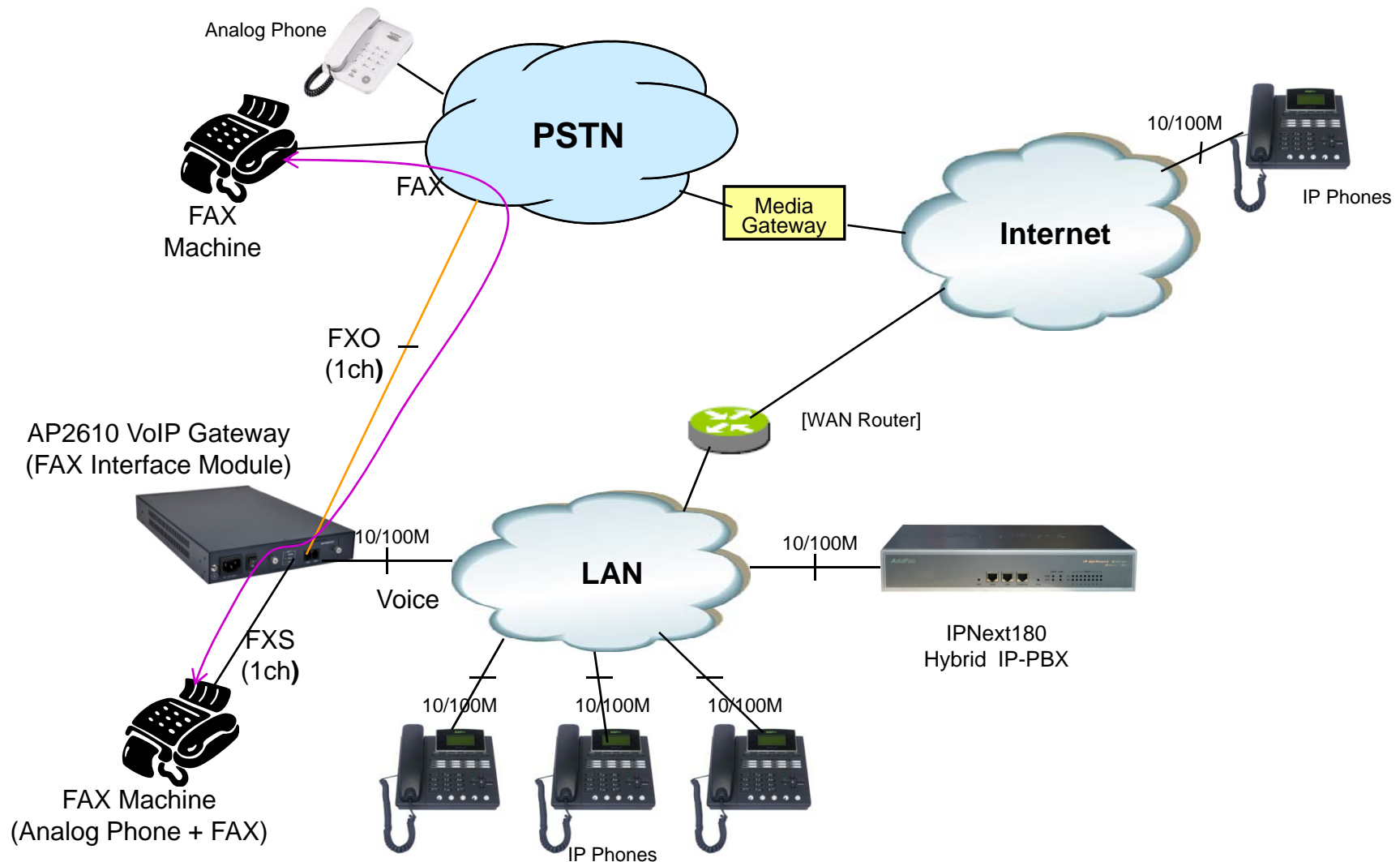
Network Service Diagram (Voice Path)



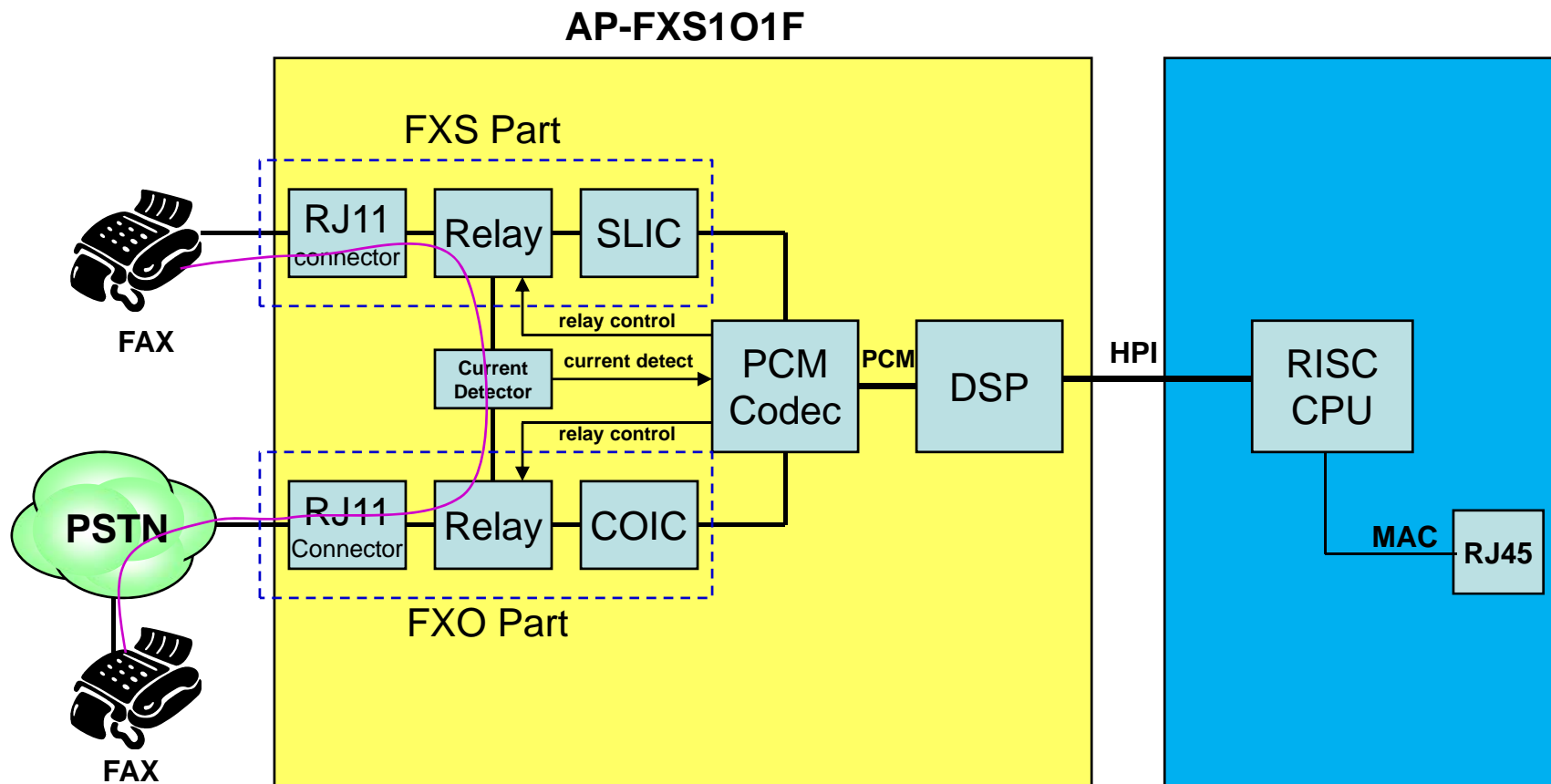
H/W Block Diagram (Voice Path)



Network Service Diagram (FAX Path)



H/W Block Diagram (FAX Path)





Thank you!

AddPac Technology Co., Ltd.
Sales and Marketing

Phone +82.2.568.3848 (KOREA)

FAX +82.2.568.3847 (KOREA)

E-mail : sales@addpac.com