



NGN VoIP

Design Concept



AddPac

AddPac Technology

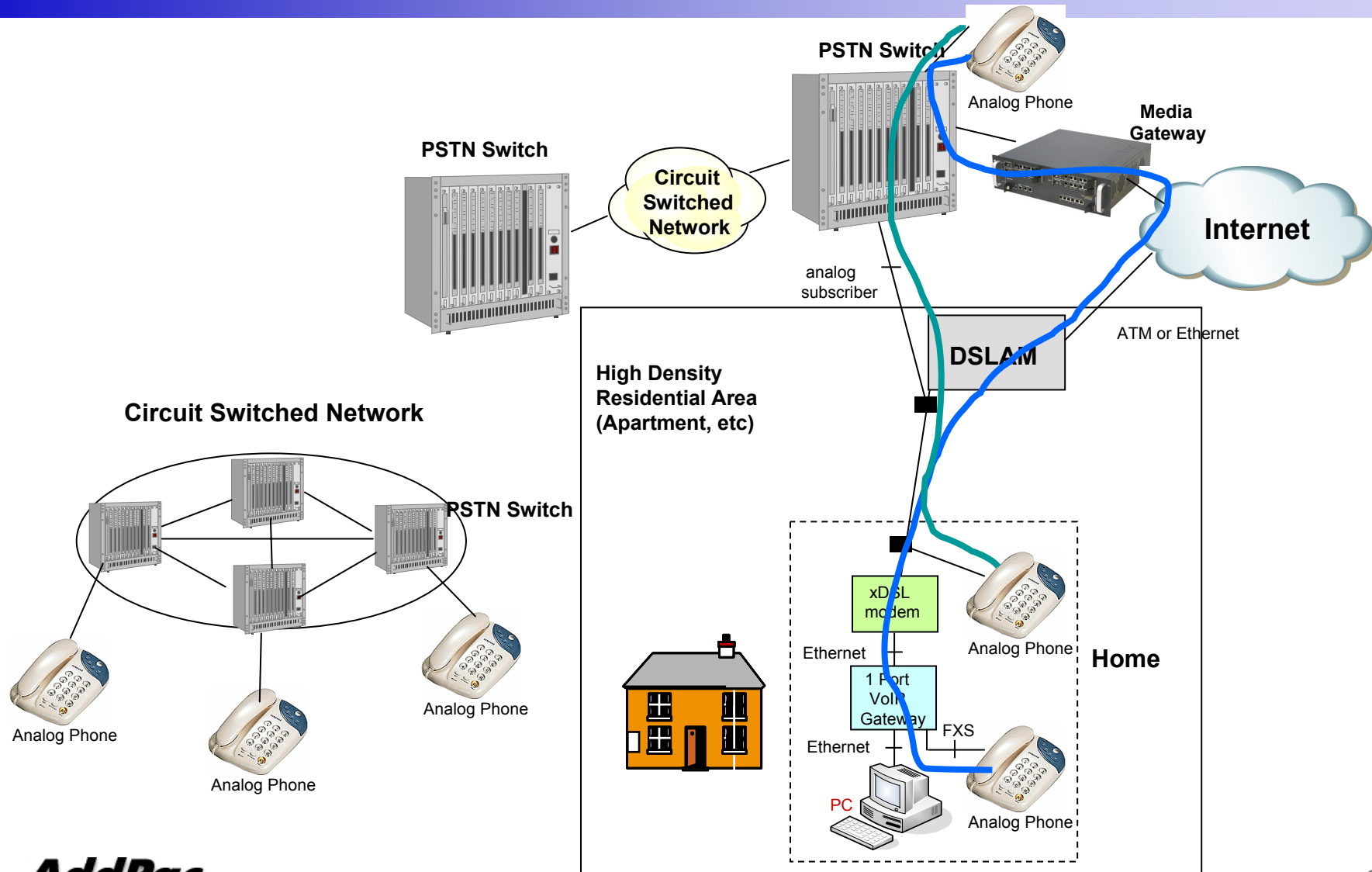
Sales and Marketing

www.addpac.com

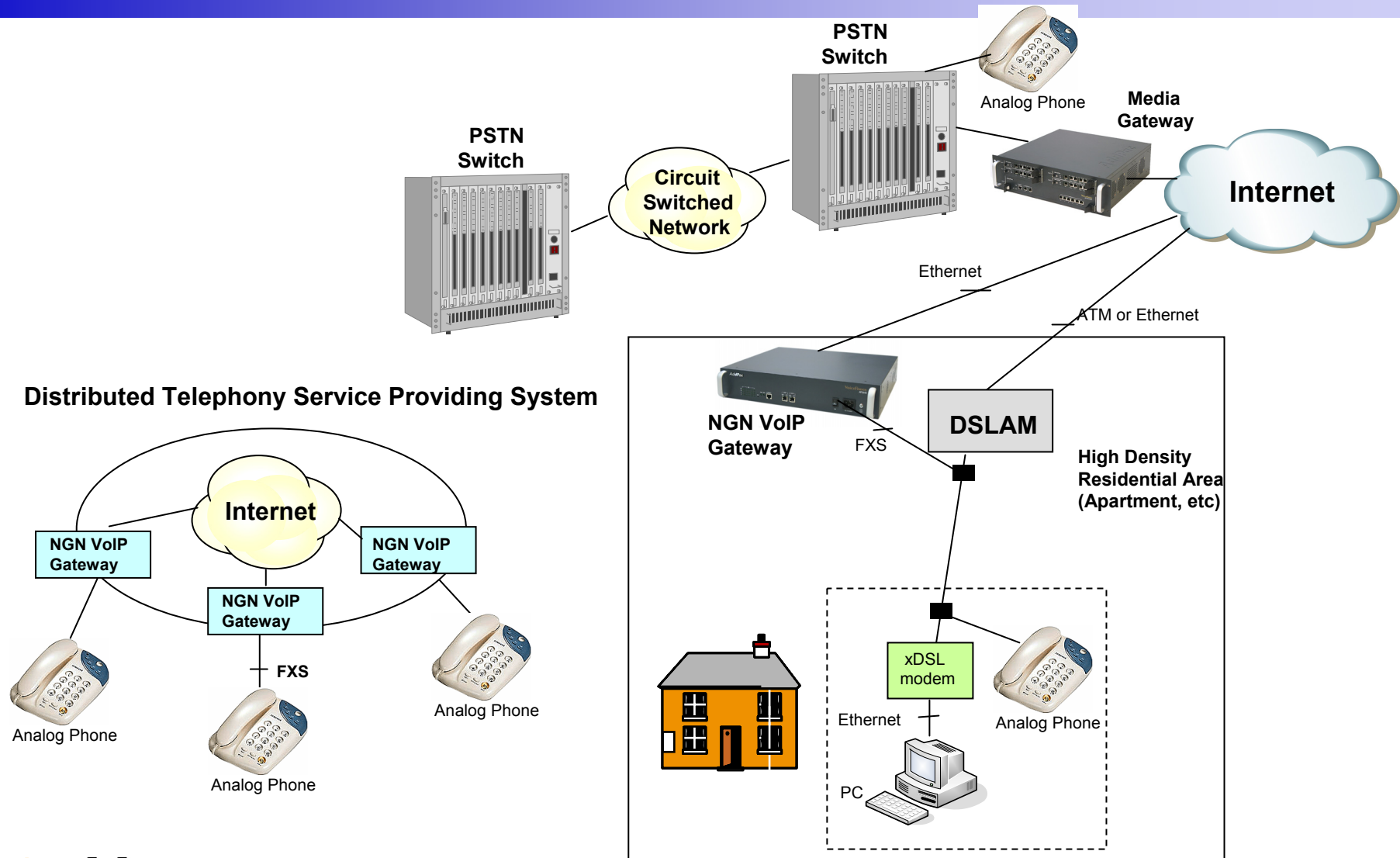
Contents

- NGN VoIP Service Concept
- NGN VoIP Hardware Specification
- NGN VoIP System Architecture
- Advantage of NGN VoIP Service

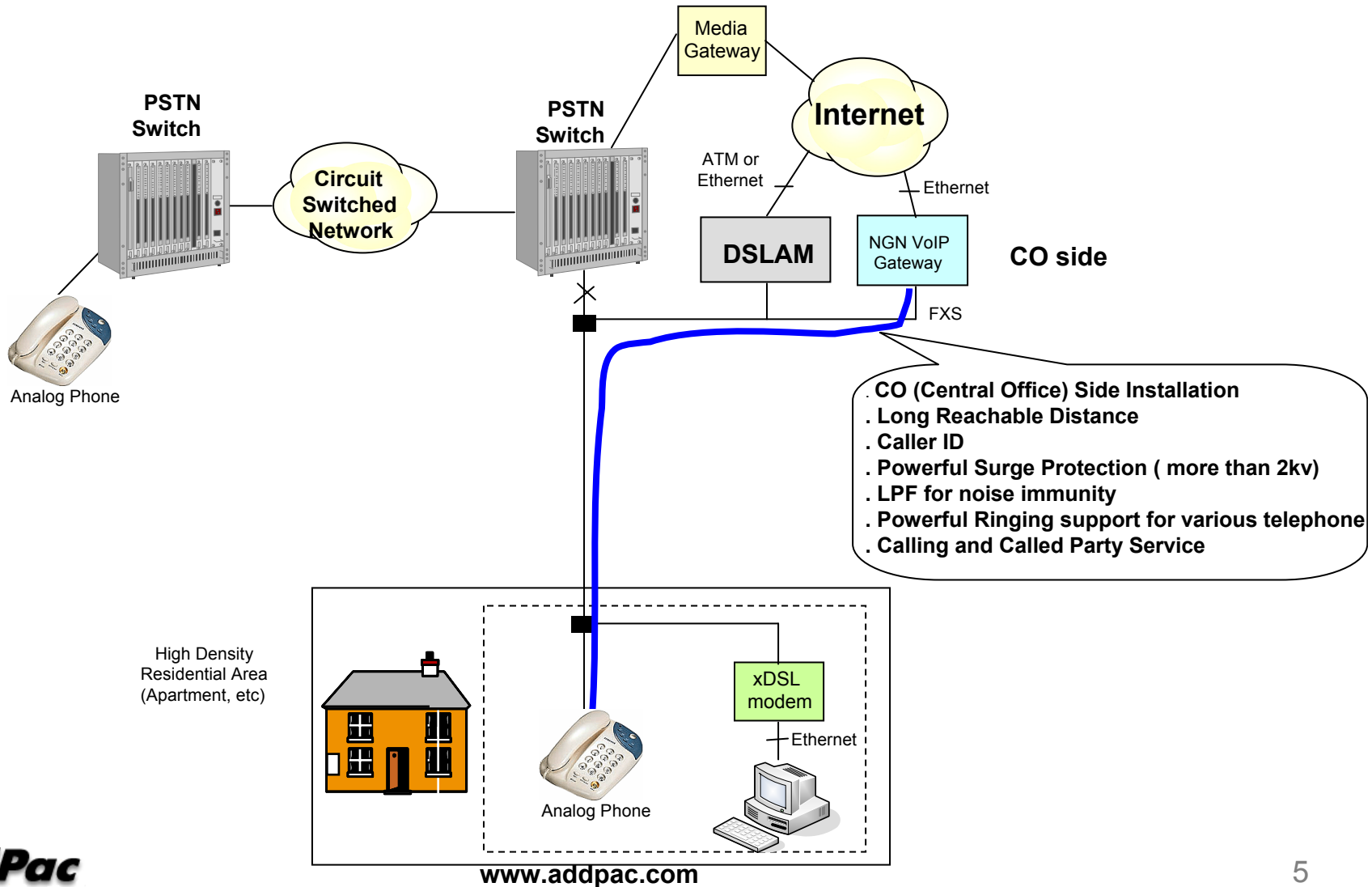
Current VoIP Service Concept



NGN VoIP Service Concept



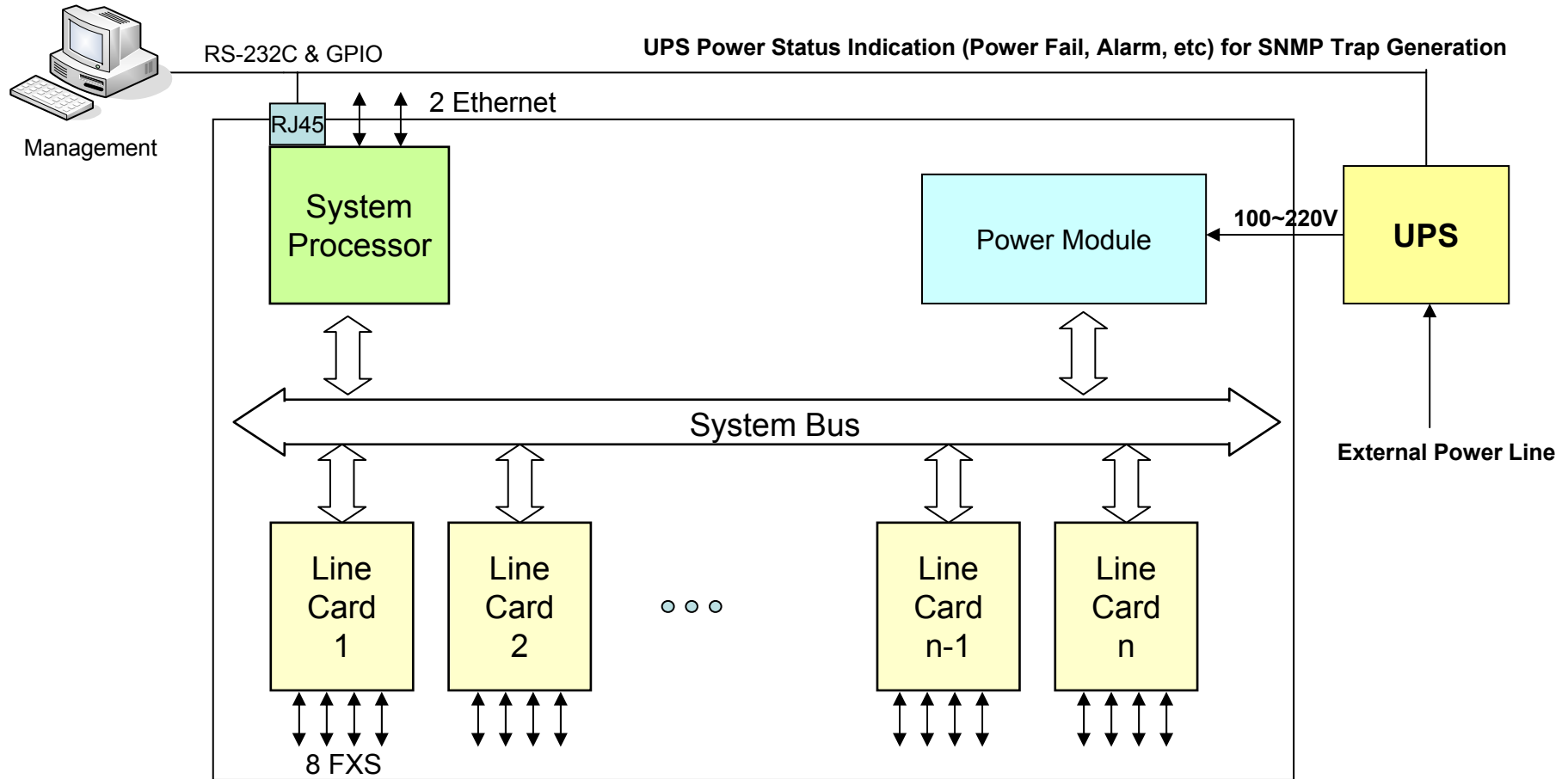
NGN VoIP Service Concept



Hardware Specification

- **Powerful RISC Computing Power**
- **FXS VoIP Interface for NGN Service Feature**
 - Long Reachable Distance
 - 80Vrms Ringing
 - Powerful Surge Protection (more than 2kv)
 - Caller ID
 - LPF for Noise Immunity
- **Network Interface**
 - Two(2) 10/100Mbps Fast Ethernet for Stacking or Bridging
 - One(1) RJ45 RS-232C Console Port for Management & UPS Power Status Check
- **Rack Mountable Chassis**
- **Built In Power Supply**

System Architecture



Advantage of NGN VoIP Service

ITEM	PSTN telephone	VoIP Telephone	NGN VoIP Telephone
Subscriber line	Voice service only network	Requires high-speed Internet and VoIP Gateway	Utilizing existing telephone line, no environment change
Charge of usage	Relatively high	Low	Low
User convenience	High	Mid	High
Easy management	Low	Mid	High
Additional service	Various	Focus on voice service	Various
Supports various telephones	Support	Limited	Same as PSTN telephone service
Installation location of Equipment	Central offices	Offices or houses	Central office or apartment MDF
Supports complex numbering	Support	Limited	Support
Subscriber distance	Approx. 4Km	Hundreds of meters	Almost same as PSTN telephone service
Additional service	Focused on voice service	Focused on reasonable telephone charge	Various additional service such as free in-complex calls, designated telephone numbers



Thank you!

AddPac Technology Co., Ltd.
Sales and Marketing

Phone +82.2.568.3848 (KOREA)

FAX +82.2.568.3847 (KOREA)

E-mail sales@addpac.com