



IPNext280™

PTT Hybrid IP-PBX System

High-performance PTT Hybrid IP-PBX Solution

H/W Design Concept



AddPac

AddPac Technology

Sales and Marketing

www.addpac.com

Contents

- Product Overview
- Hardware Specification
- VoIP Modules
- AP-FXS8 8-Port FXS Module Block Diagram
- AP-FXO8 8-Port FXO Module Block Diagram
- 24-Port FXS + 8-Port FXO Service Configuration
- 24-Port FXS + Digital E1/T1 Service Configuration
- Network Diagram

Product Overview

- IP based Advanced Hybrid IP-PBX Solution
- High Performance PTT Server Solution
- PTT Media Gateway Service for PSTN terminal
- IPv4/IPv6 Multimedia Telephony Solution for Small Office
- PSTN Interface (FXO, FXS, E1/T1) Support
- Powerful Management and User Friendly Features
- Fault Tolerant and Scalability Architecture
- High-performance Video, Audio, and Voice Service
- Firmware Upgradeable Architecture
- IVR Service with Scenario Editor
- Voice Mailing Service
- Presence Service for High-End IP Key Phone, UC
- RTP Proxy Service for Private IP service
- SIP, H.323 Signaling for Outbound Calls
- Various Call Scenario (Call Pickup, Call Park, Call Transfer, etc)
- Various IP Terminal Support

Hardware Specification

RISC
CPU

High-end
DSP

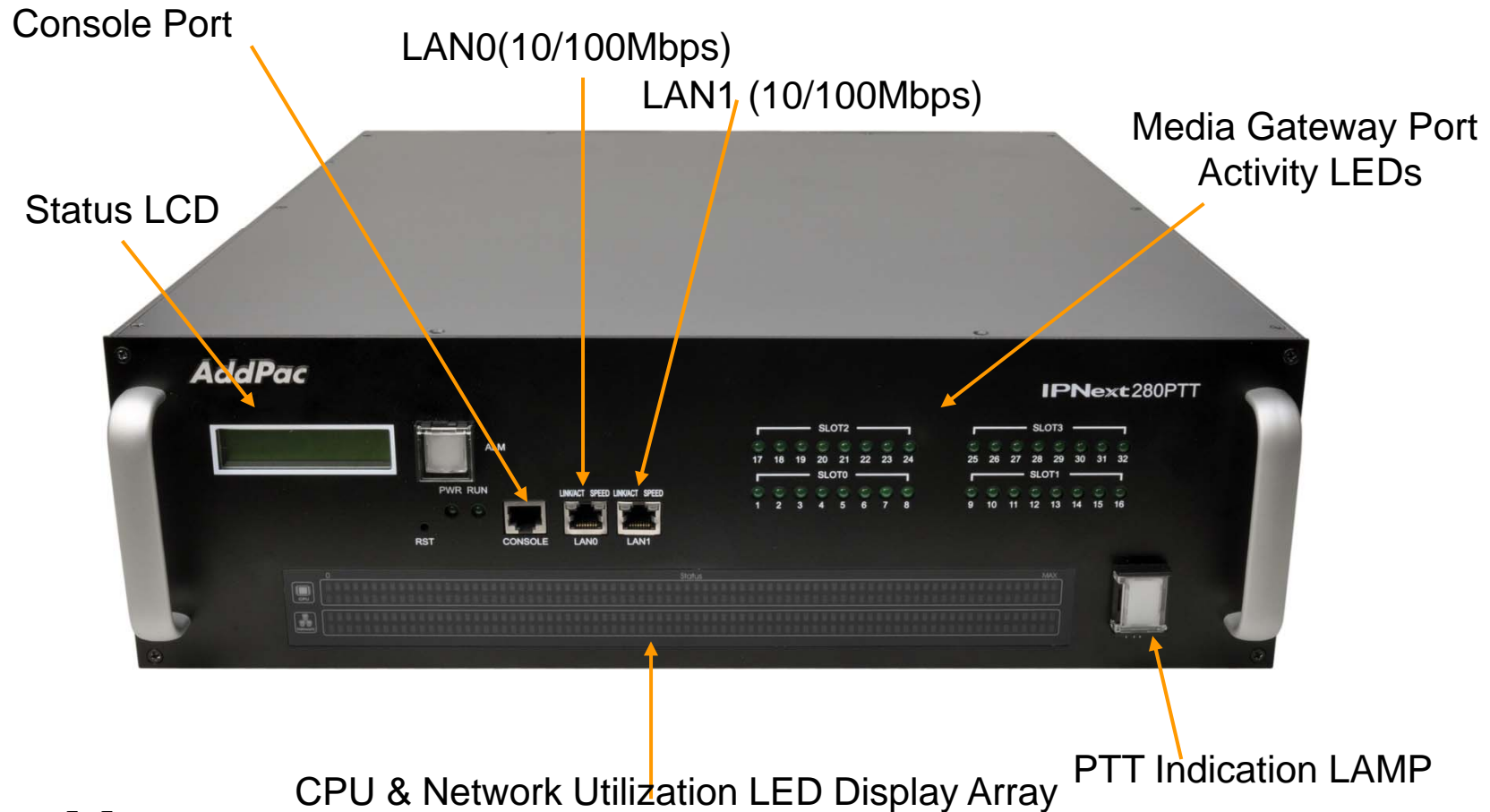
- RISC Microprocessor Computing Power
- Four(4) Module Slot for Analog, Digital VoIP Interface
- VoIP Interface Module (Hot-Swap)
 - 8-Port FXS Module (AP-FXS8)
 - 8-Port FXO Module (AP-FXO8)
 - Digital E1/T1 Module (AP-E1/T1, AP-2E1/T1)
- Network Interface
 - Two(2) 10/100Mbps Fast Ethernet (RJ45)
- RS232C Console Interface for CLI
- PTT Service Indication LAMP
- CPU & Network Utilization Indication LED Display Array
- Status Indication LCD & Clear Button LAMP
- Media Gateway Port Indication LEDs
- Module Type Dual Redundancy Power Supply

Hardware Specification

RISC
CPU

High-end
DSP

IPNext280 Front Side



AddPac

www.addpac.com

Hardware Specification

RISC
CPU

High-end
DSP







IPNext280 Back Side



VoIP Modules

RISC
CPU

High-end
DSP

VoIP Modules	Module Features	Module Picture
AP-FXS8	8-Port FXS Module	
AP-FXO8	8-Port FXS Module	
AP-FXS4O4	4-Port FXS&4-Port FXO Module	
AP-E&M8	8-Port E&M Module	
AP-E1	1-Port Digital E1/T1 Module	
AP-2E1	2-Port Digital E1/T1 Module	

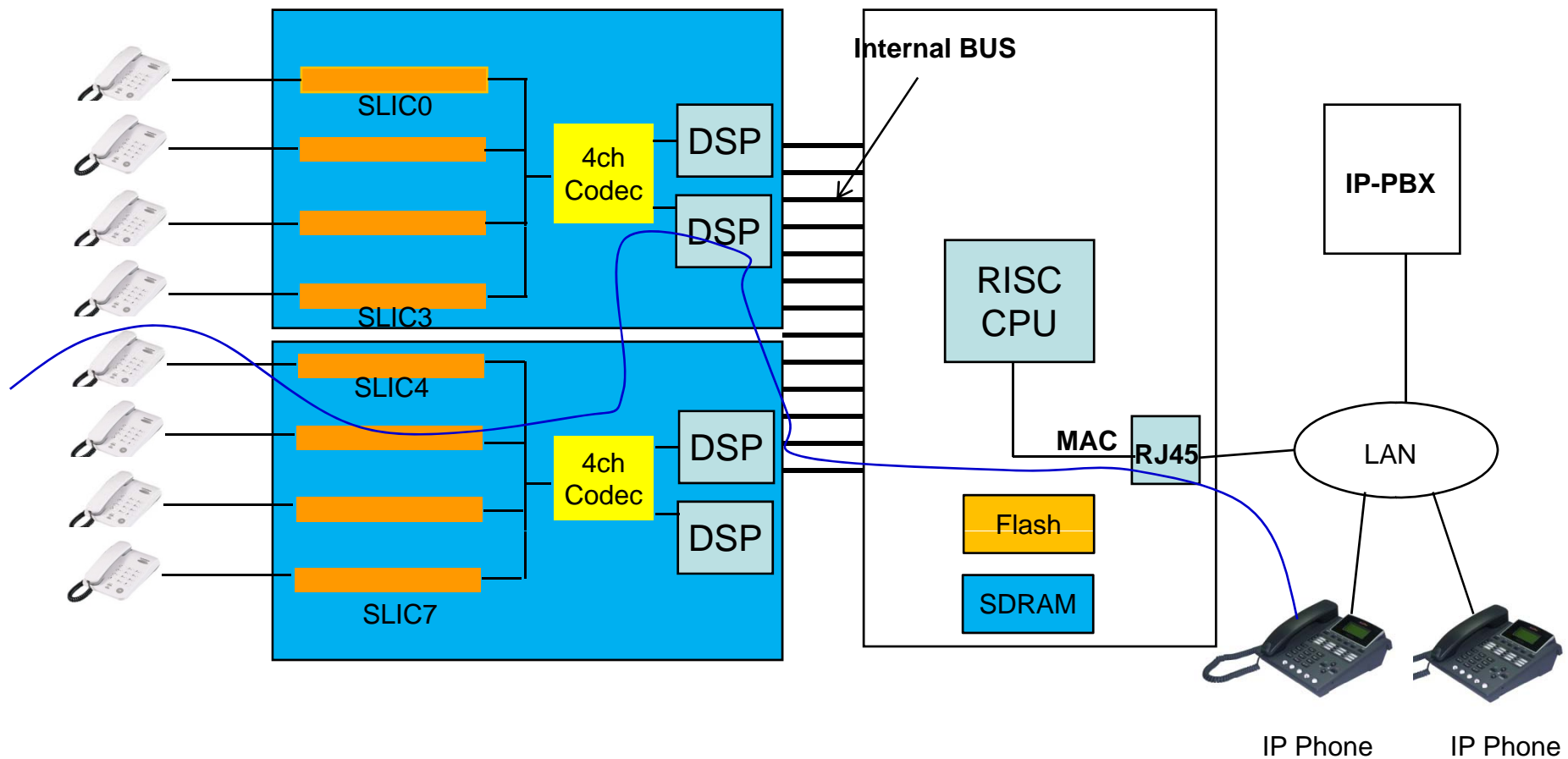
AP-FXS8 H/W Block Diagram

RISC
CPU

High-end
DSP

IPNext280 VoIP Service Diagram

AP-FXS8 8-Port FXS Internal H/W Block Diagram

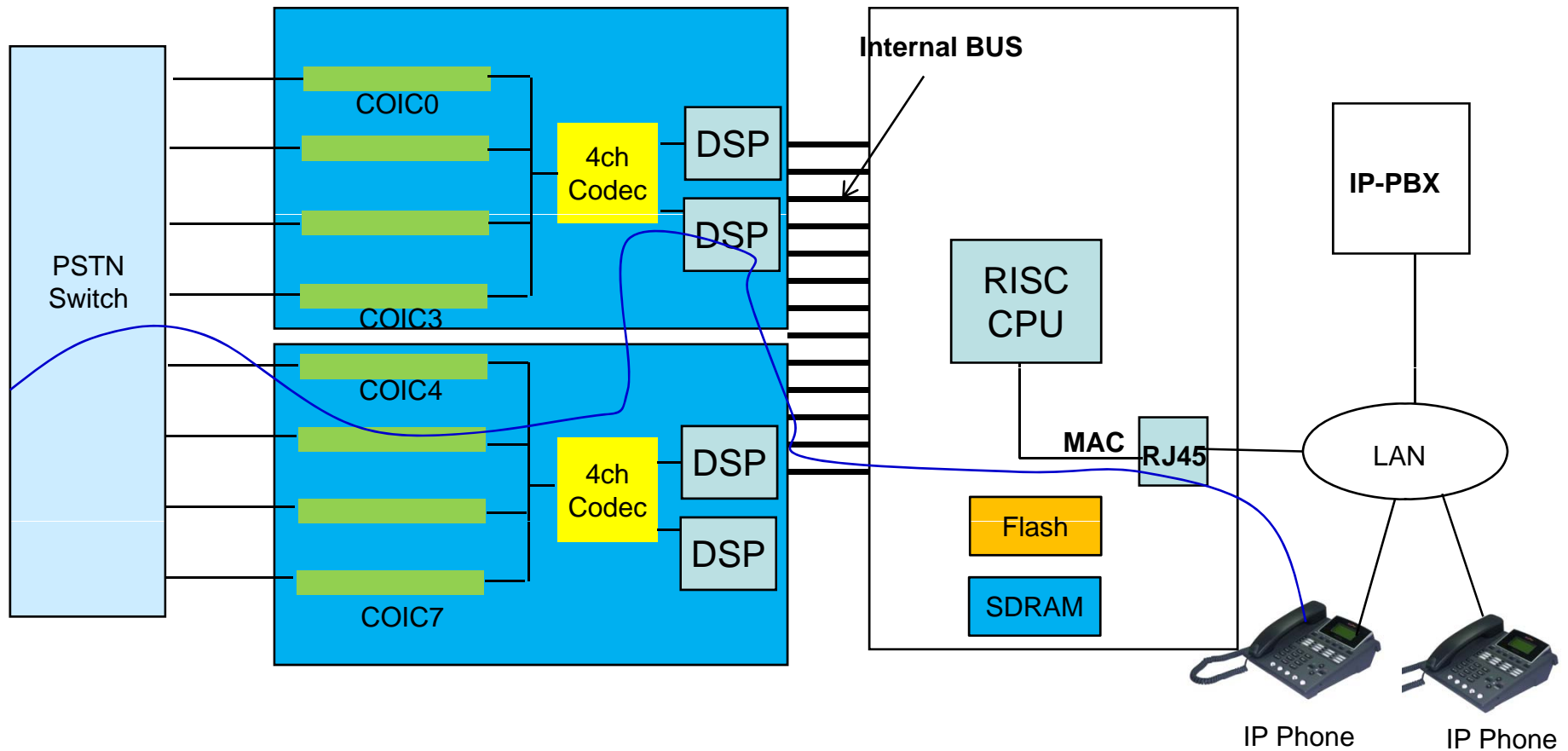


AP-FXO8 H/W Block Diagram

RISC
CPU

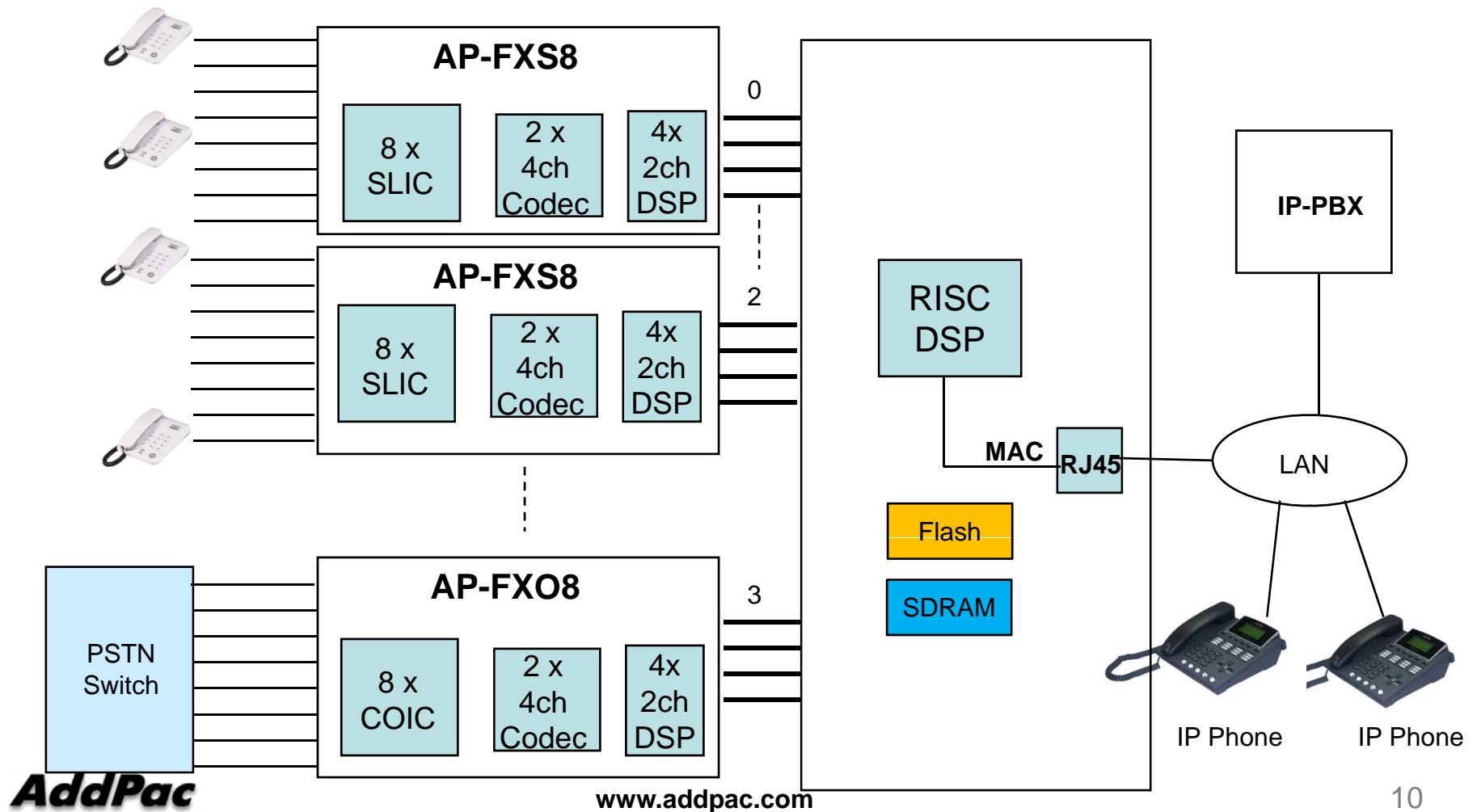
High-end
DSP

IPNext280 VoIP Service Diagram
AP-FXO8 8-Port FXO Internal H/W Block Diagram



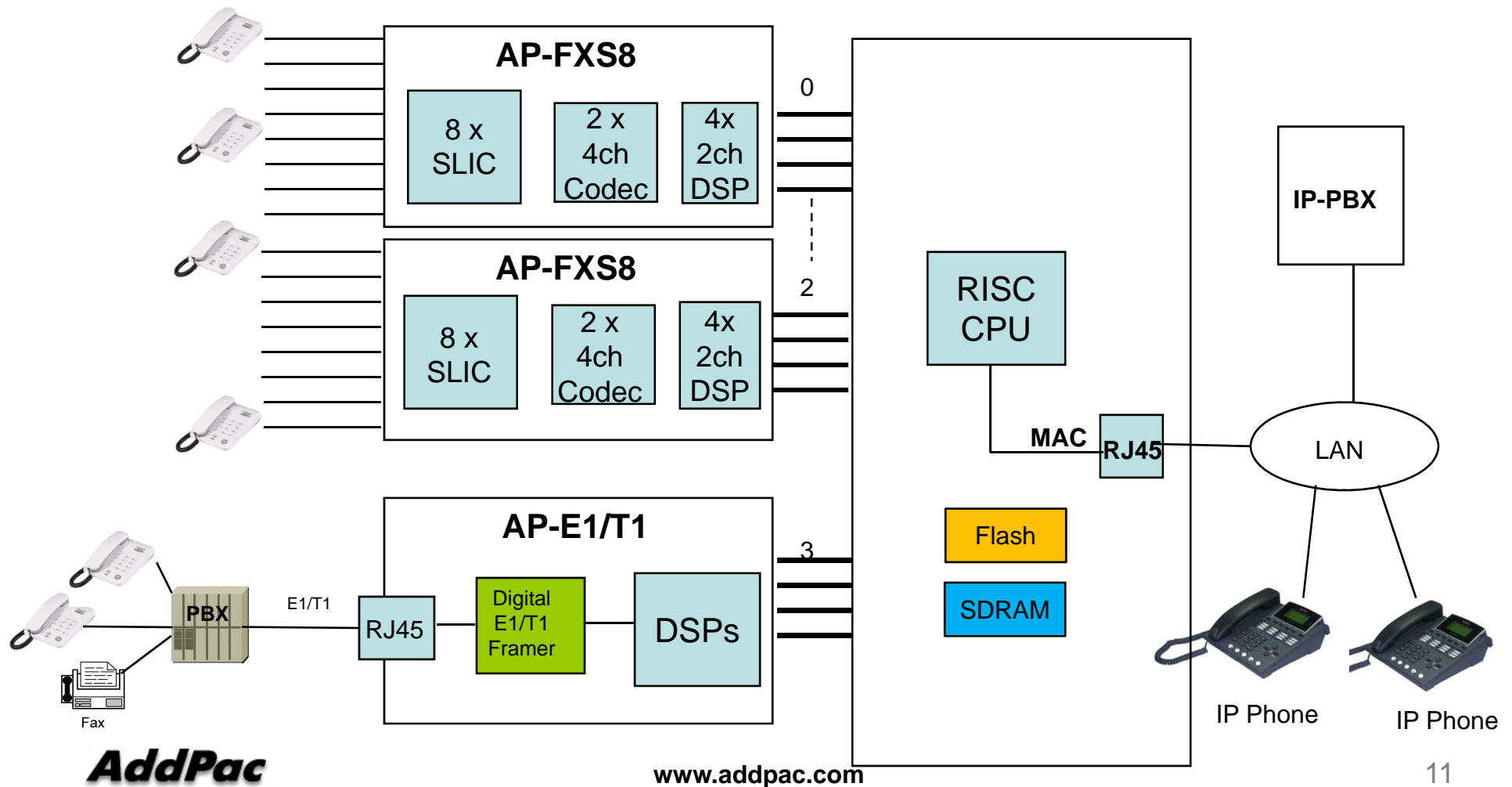
24-Port FXS + 8-Port FXO Configuration

IPNext280 VoIP Service Diagram

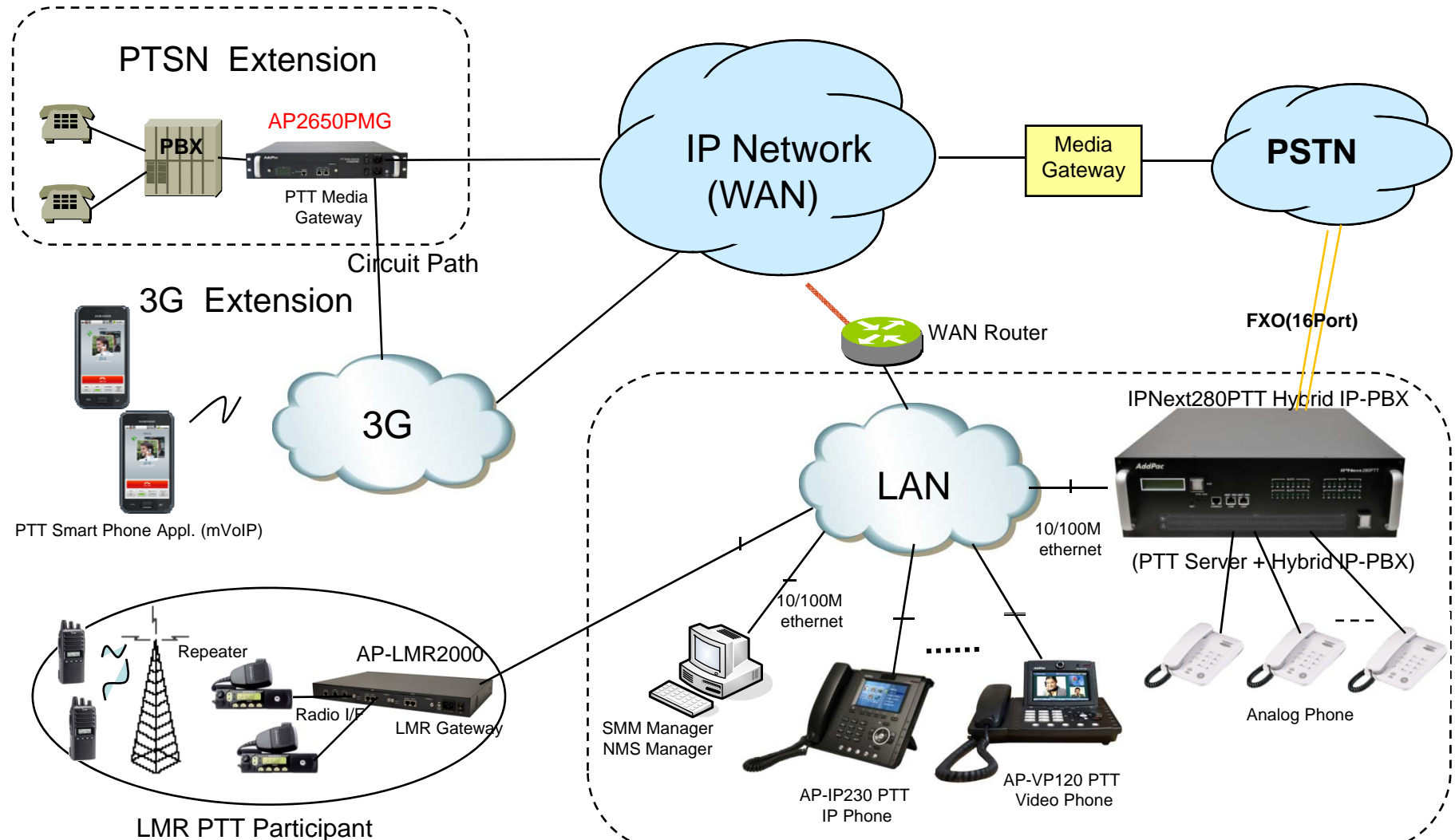


24-Port FXS + Digital E1/T1 Configuration

IPNext280 VoIP Service Diagram



Network Service Diagram



Hybrid IP-PBX Series

Thank you!

AddPac Technology Co., Ltd.
Sales and Marketing

Phone +82.2.568.3848 (KOREA)

FAX +82.2.568.3847 (KOREA)

E-mail sales@addpac.com