



# IPNext187™

## Hybrid IP-PBX System

High-performance Hybrid IP-PBX Solution

### H/W Design Concept



# **AddPac**

## AddPac Technology

2011, Sales and Marketing

[www.addpac.com](http://www.addpac.com)

# Contents

- Product Overview
- Hardware Specification
- VoIP Modules
- AP-N1-FXS8 8-Port FXS Module Block Diagram
- AP-N1-FXO8 8-Port FXO Module Block Diagram
- 16-Port FXS + 8-Port FXO Service Configuration
- 16-Port FXS + Digital E1/T1 Service Configuration
- Network Diagram

# Product Overview

- IP based Advanced Hybrid IP-PBX Solution
- IPv4/IPv6 Multimedia Telephony Solution for Small & Medium Office
- PSTN Interface (FXO, FXS, Digital E1/T1) Support
- Three(3) Module Slots for Analog & Digital VoIP Interface
- Powerful Management and User Friendly Features
- Fault Tolerant and Scalability Architecture
- High-performance Video, Audio, and Voice Service
- Firmware Upgradeable Architecture
- IVR Service with Scenario Editor
- Voice Mailing Service
- Presence Service for High-End IP Key Phone, UC
- RTP Proxy Service for Private IP service
- SIP, H.323 Signaling for Outbound Calls
- Various Call Scenario (Call Pickup, Call Park, Call Transfer, etc)
- Various IP Terminal Support

# Hardware Specification

RISC  
CPU

High-end  
DSP

- RISC Microprocessor Computing Power
- Ten(3) Module Slot for Analog, Digital VoIP Interface
- VoIP Interface Module (Hot-Swap)
  - 8-Port FXS Module (AP-N1-FXS8)
  - 8-Port FXO Module (AP-N1-FXO8)
  - Digital E1/T1 Module (AP-N1-E1)
- Network Interface
  - Two(2) 10/100Mbps Fast Ethernet (RJ45)
- RS232C Console Interface for CLI
- Run LED, LAN LED, Port LEDs
- Internal Power Supply

# Hardware Specification

RISC  
CPU

High-end  
DSP

## Front Side



LAN0(10/100Mbps)

LAN1 (10/100Mbps)

Console Port

VoIP Port LEDs

# Hardware Specification

RISC  
CPU

High-end  
DSP

## Back Side

PSTN Analog Module (FXS, FXO, etc)

PSTN Digital E1/T1 Module



Power Inlet

Power Switch



Hot-Swap Switch & LAMP Indication

**AddPac**





[www.addpac.com](http://www.addpac.com)

# VoIP Modules

RISC  
CPU

High-end  
DSP

## IPNext187 VoIP Modules

<b>AP-N1-FXS8</b> 8-Port FXS Module	
<b>AP-N1-FXO8</b> 8-Port FXO Module	
<b>AP-N1-FXS4O4</b> 4-Port FXS&4-Port FXO Module	
<b>AP-N1-E1</b> 1-Port Digital E1/T1 Module	

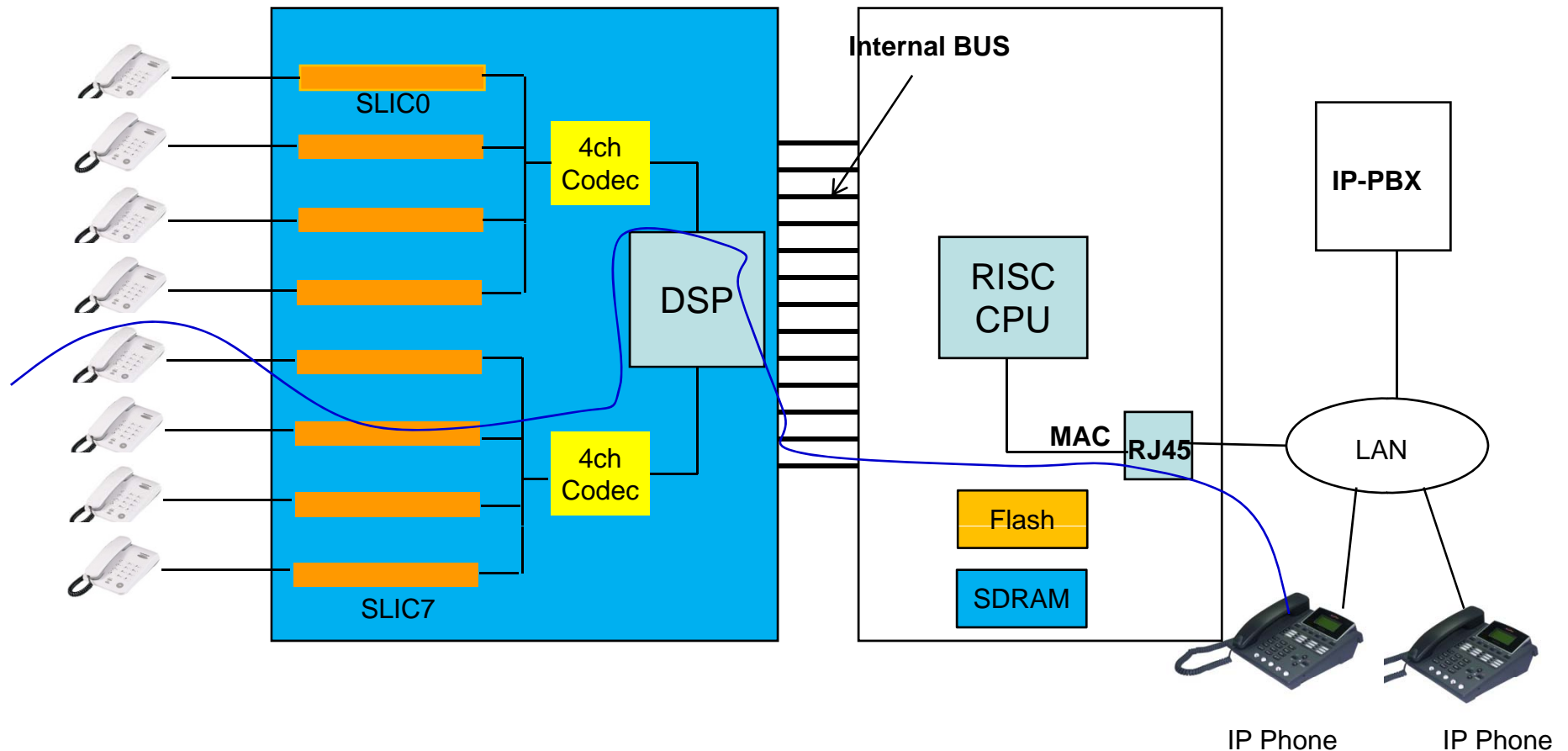
# AP-N1-FXS8 H/W Block Diagram

RISC  
CPU

High-end  
DSP

## IPNext187 VoIP Service Diagram

AP-N1-FXS8 8-Port FXS Internal H/W Block Diagram





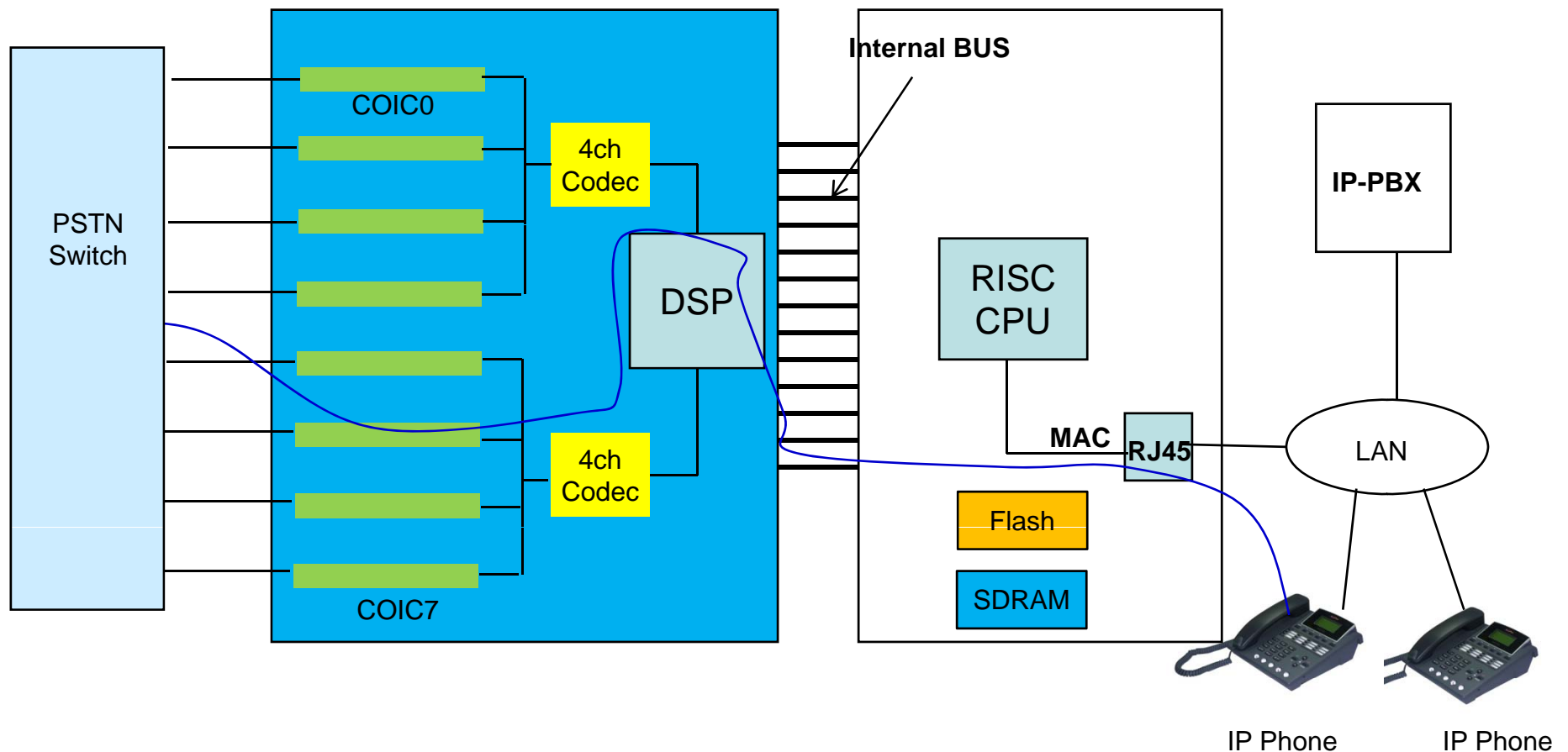
# AP-N1-FXO8 H/W Block Diagram

RISC  
CPU

High-end  
DSP

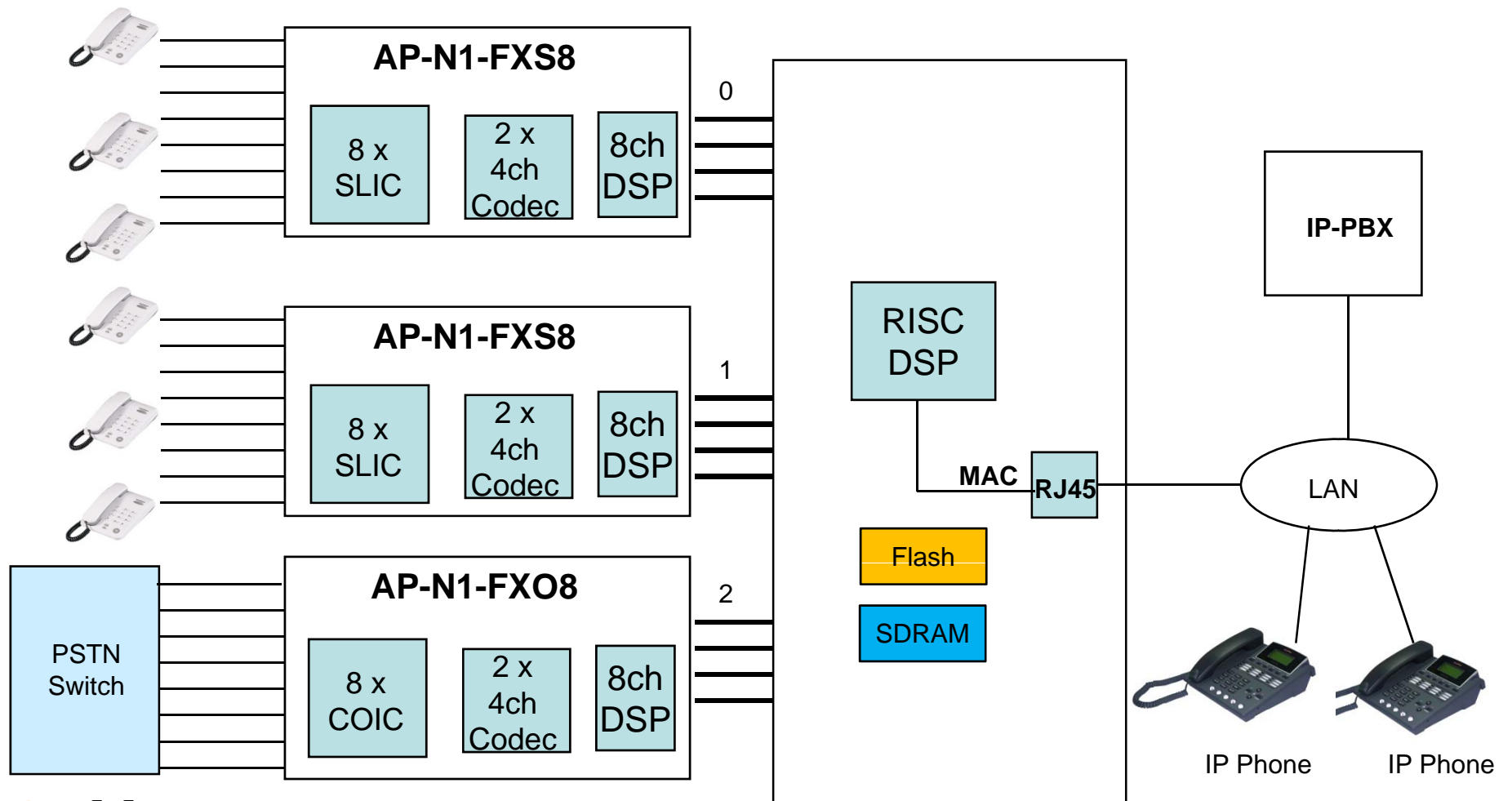
## IPNext187 VoIP Service Diagram

AP-N1-FXS8 8-Port FXO Internal H/W Block Diagram



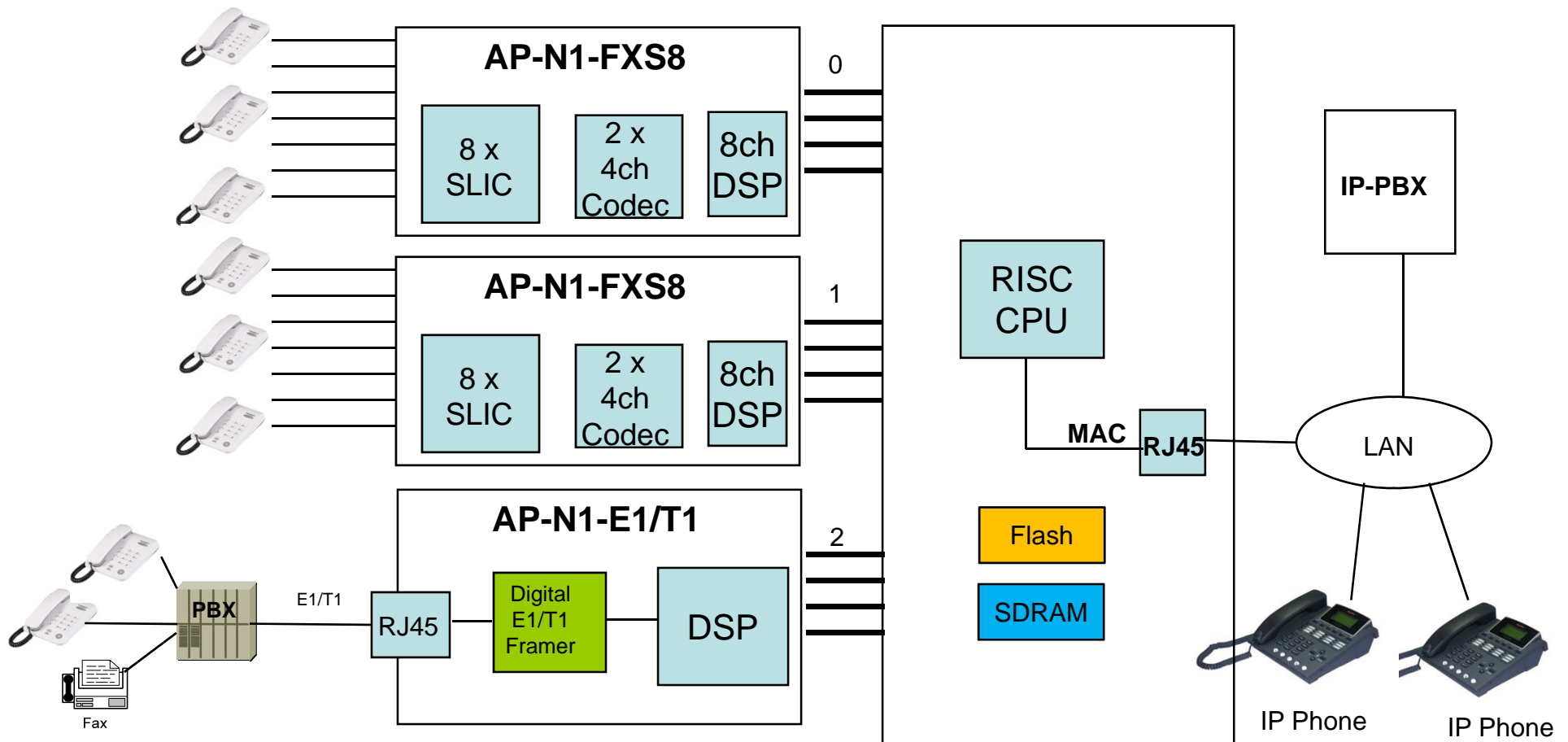
# 16-Port FXS + 8-Port FXO Configuration

IPNext187 VoIP Service Diagram

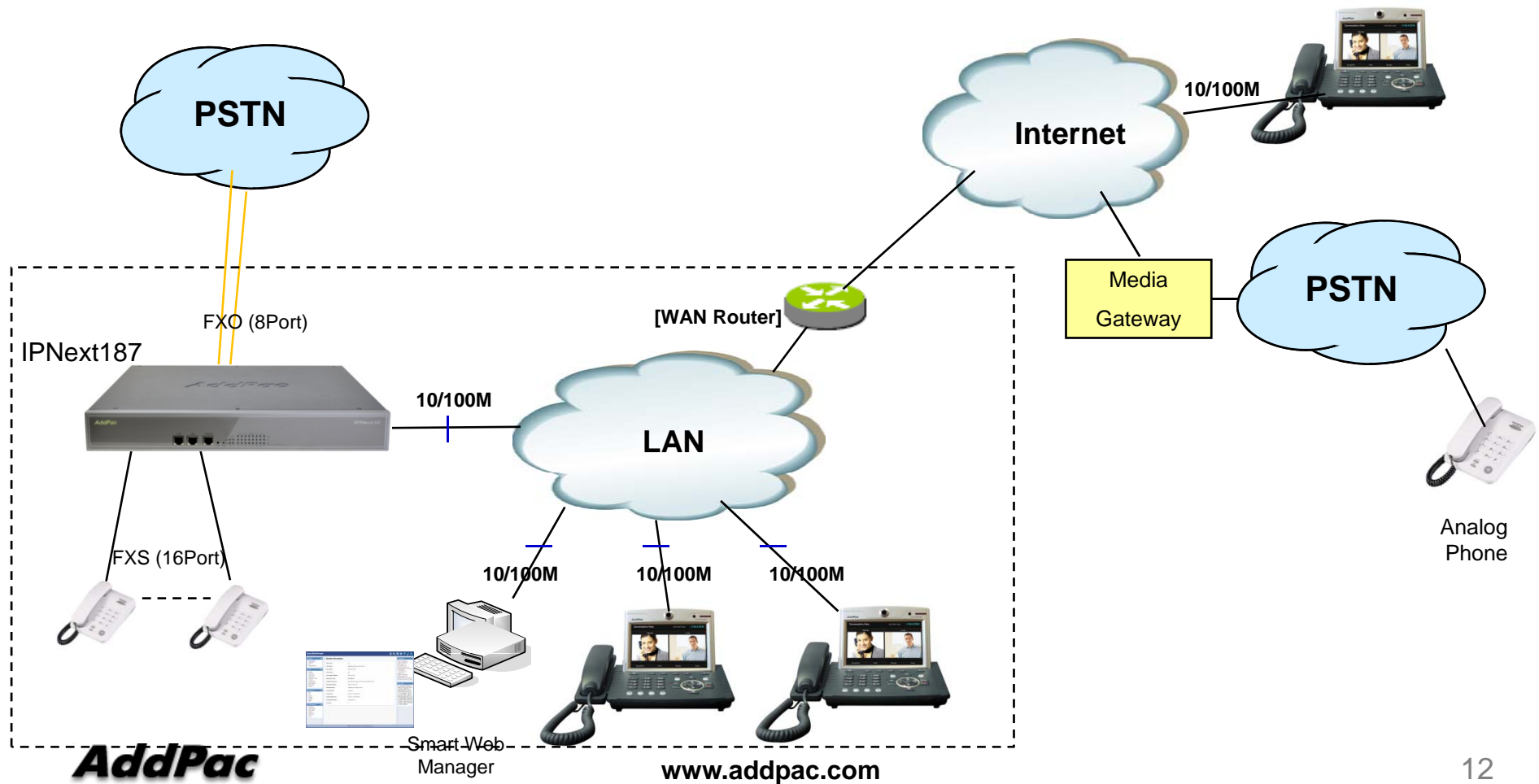


# 16-Port FXS + Digital E1/T1 Configuration

IPNext187 VoIP Service Diagram



# Network Service Diagram



# Hybrid IP-PBX Series

# Thank you!

**AddPac Technology Co., Ltd.**  
Sales and Marketing

Phone +82.2.568.3848 (KOREA)

FAX +82.2.568.3847 (KOREA)

E-mail [sales@addpac.com](mailto:sales@addpac.com)