



# AP-IP150™

## BcN IP Phone

High Performance Broadband Convergence Network  
IP Phone Solution

### Stun Client Features



# **AddPac**

**AddPac Technology**

2007, Sales and Marketing

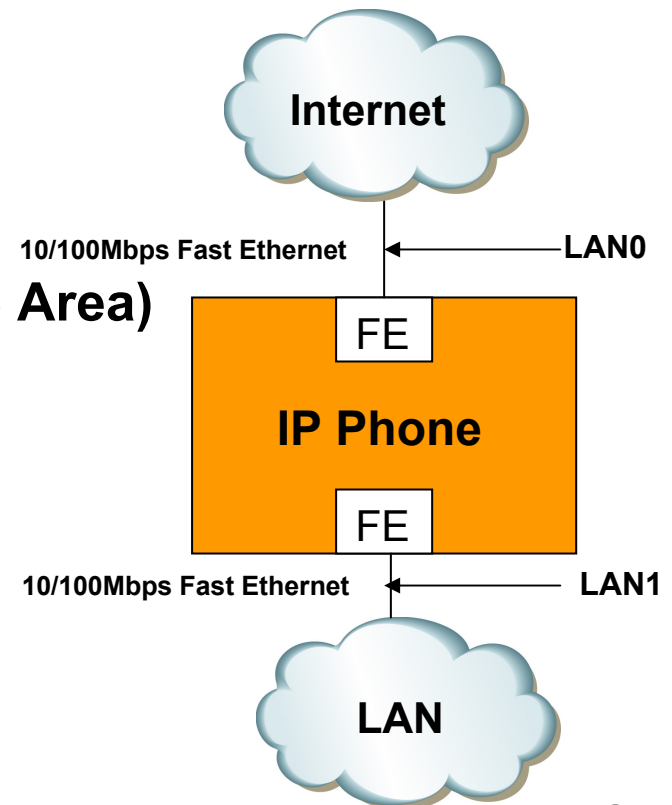
[www.addpac.com](http://www.addpac.com)

# Contents

- AP-IP150 H/W Specification
- What is STUN ?
- Network Service Diagram
- APOS Commands for STUN function

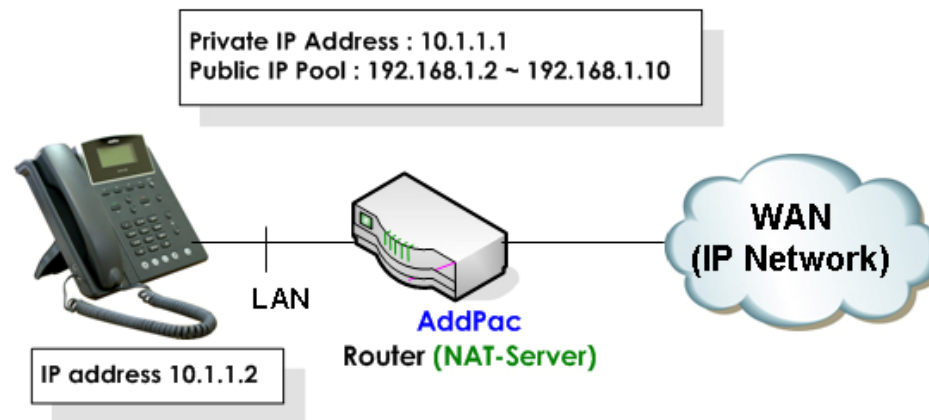
# AP-IP150 H/W Specification

- **RISC+DSP Microprocessor Computing Power (Dual Processor Architecture)**
- **Optional FXO Interface for PSTN Backup : AP-IP150E**
- **High quality Audio and Voice Interface**
  - Stereo Audio Input Connector
  - Stereo Audio Output Connector
- **Network Interface**
  - Two(2) 10/100Mbps Fast Ethernet
- **LCD Window : 66.54mm x 24.94mm(Active Area)**
- **Graphic LCD**
- **Power Supply**
  - External Power Adaptor (5V, 2A)
- **Power Switch**
- **PoE(Power over Ethernet)**

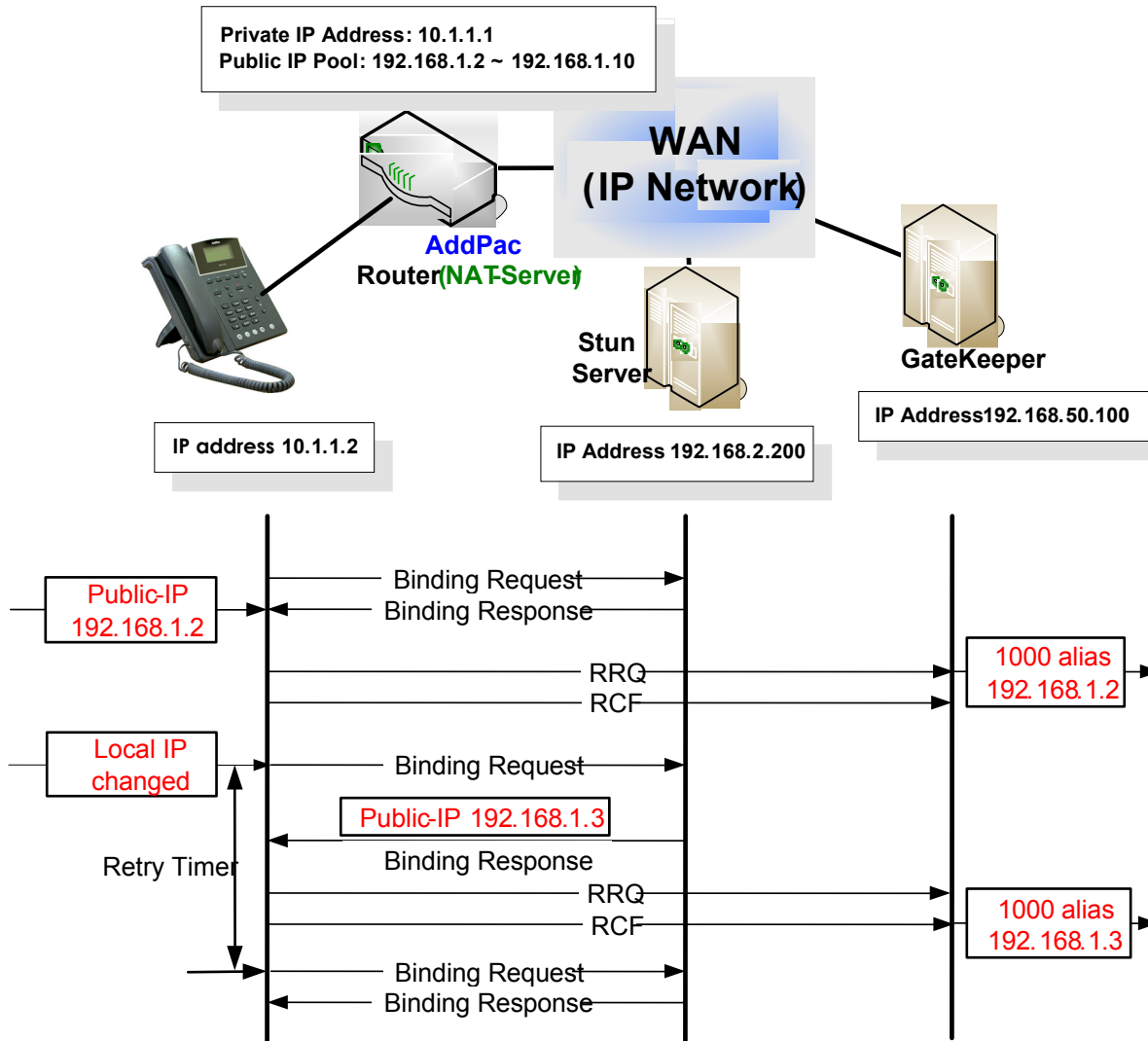


# What is STUN ?

- **STUN ( Simple Traversal of User Datagram Protocol(UDP) Through Network Address Translators(NATs)) : RFC3849**
- **UDP based Protocol**
- **Protocol for solving the Dynamic Public IP address Problem in Private/Public IP Mapping Environment**



# Network Service Diagram



# APOS Commands for STUN

## STUN Function Enable

Step	Command	Explanation
1	<b># config</b>	Enter the APOS command Setting Mode
2	<b>(config)# interface eth 0.0</b>	Enter the interface setting mode
3	<b>(config-ether0.0)# ip stun-server 61.33.161.111</b>	IP address setting of stun server
4	<b>(config-ether0.0)# ip stun-server retry-time 10</b>	Periodic <b>stun request</b> message interval setting

## STUN Function Disable

Step	Command	Explanation
1	<b>(config-ether0.0)# no ip stun-server</b>	<b>stun</b> function release

# IP Phone Series

# Thank you!

**AddPac Technology Co., Ltd.**  
Sales and Marketing

Phone +82.2.568.3848 (KOREA)

FAX +82.2.568.3847 (KOREA)

E-mail [sales@addpac.com](mailto:sales@addpac.com)