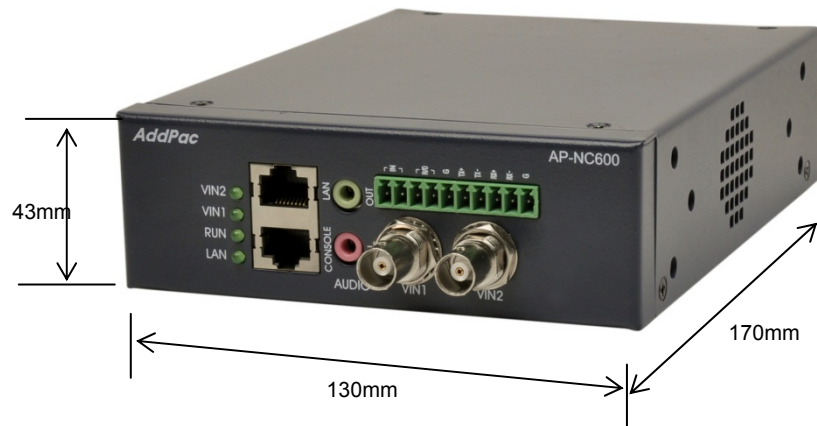


# AP-NC600™

## Dual-Channel Video Codec

High-performance Network Surveillance Solution



**AddPac**

**AddPac Technology**

2010, Sales and Marketing

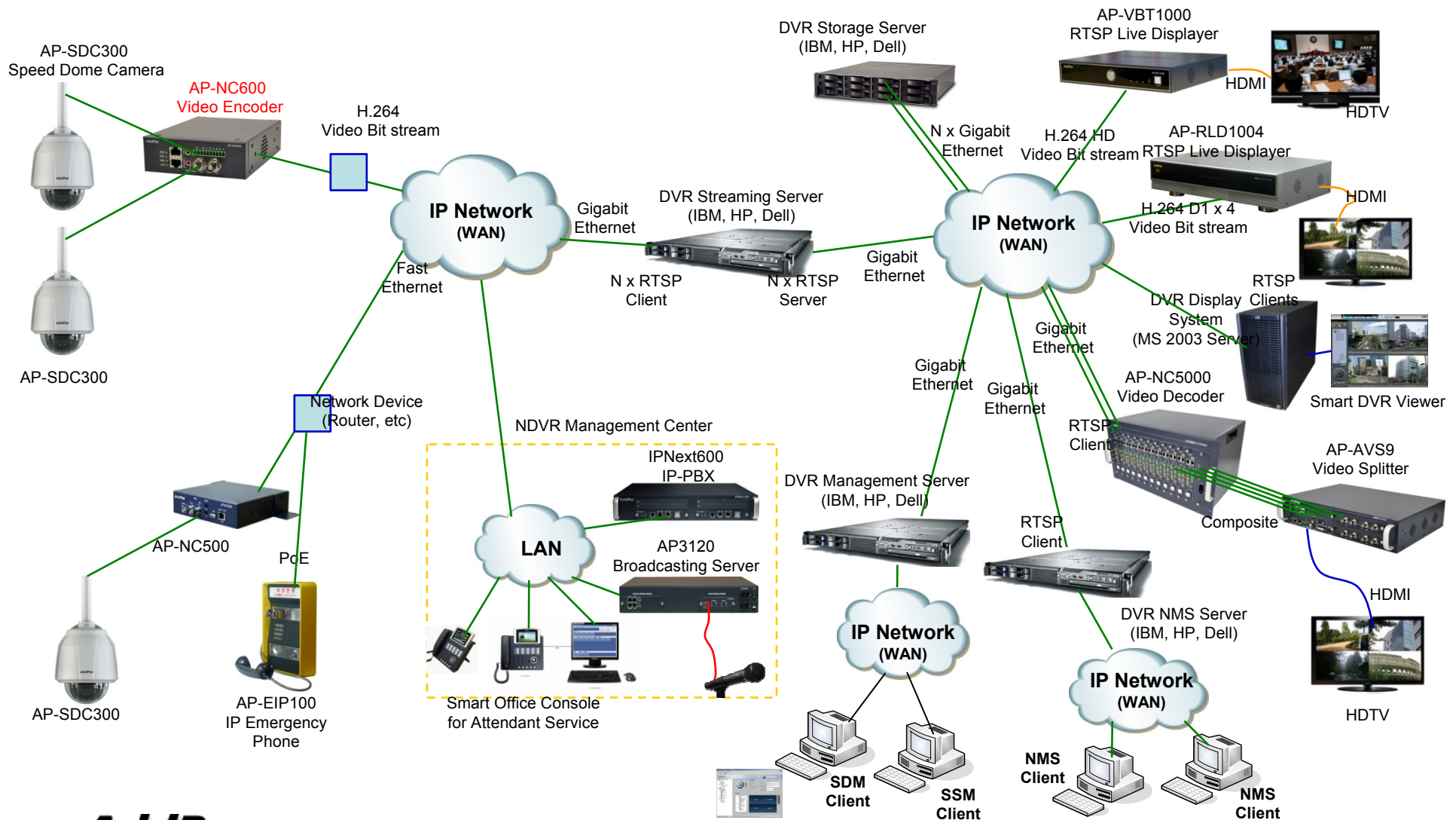
# Contents

- Network DVR Service Diagram
- Product Overview
- Hardware Specification
- Software Service
- Video Service and Features
- Video Encoding Scheme
- Network Service and Features
- RTSP based NDVR Scheme
- Application Area
- Ordering Information



# Network DVR Service Diagram

AP-NC600 Video Codec



# Product Overview

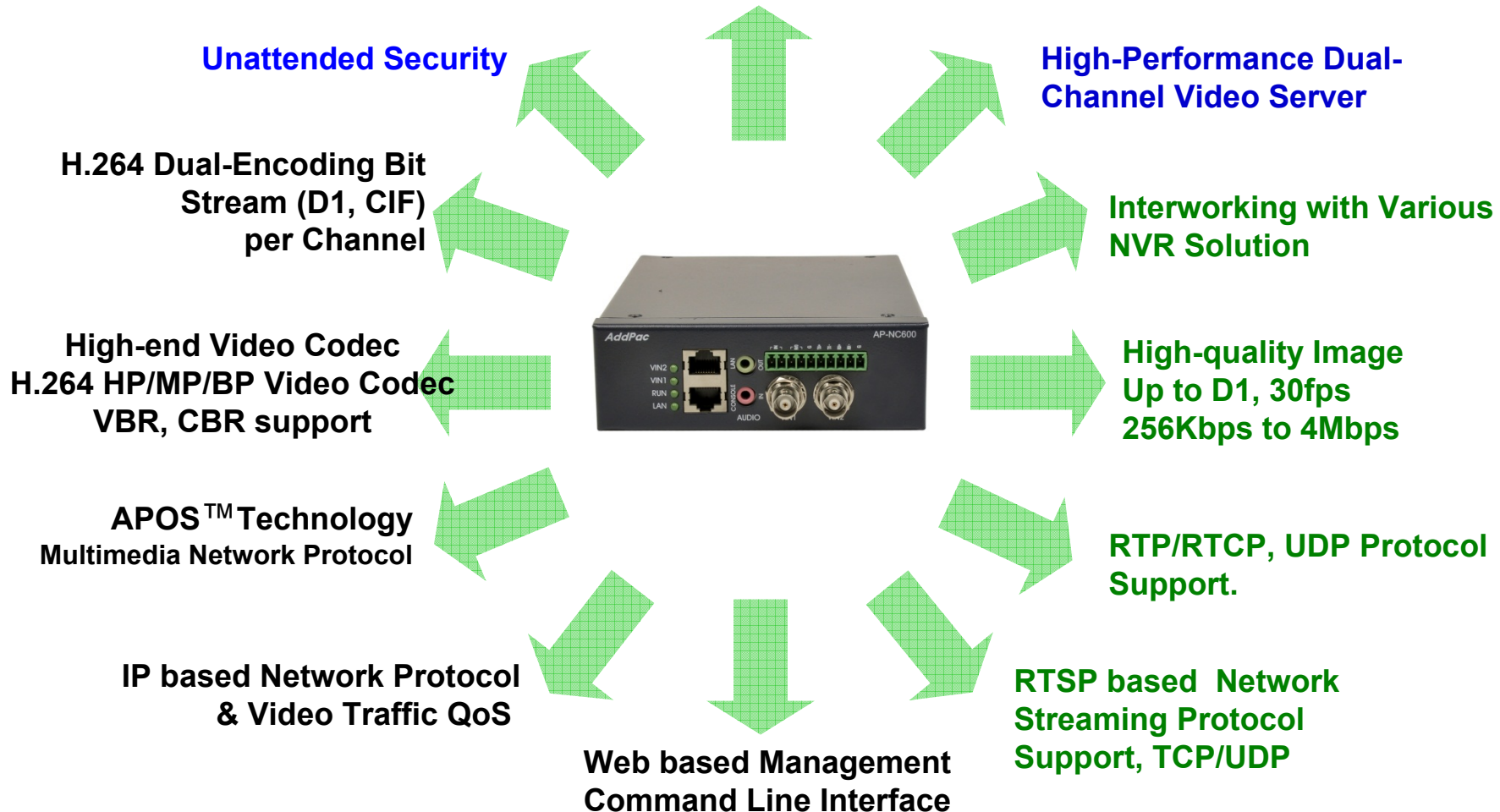
## AP-NC600 Video Codec

- IP based Video Encoding Solution
- Dual-Channel D1 Video Encoder (NTSC, PAL)
- H.264 Dual Encoding Stream (D1, CIF) per Channel
- H.264 **High Profile/Main Profile/Base Line Profile** Video Codec
- RTP/RTCP, UDP Protocol Support
- **RTSP, TCP/UDP** Protocol Support
- IP based Network Surveillance Solution
- High-performance Video Service
- Firmware Upgradeable Architecture
- Video Solution with Outstanding Network Service Capability
- Video Privacy Protection
- Web based Management
- Command Line Interface Support via RS232C Console Port
- Compact Chassis, DC External Power Supply

# Product Highlights

AP-NC600 Video Codec

## IP based Network Surveillance



**AddPac**

[www.addpac.com](http://www.addpac.com)

# Hardware Specification

AP-NC600 Video Codec

High-end  
**DSP**

- High-end Programmable DSP Hardware Architecture
- Two(2) Channel D1 Video Encoder
  - Network Interface
    - One(1) 10/100/1000Mbps Gigabit Ethernet (RJ45)
    - One(1) Console Port (RJ45)
  - Powerful Video Input Interface
    - Two(2) Channel Analog Video Input (BNC Connector)
    - NTSC, PAL Camera Support
- High quality Audio and Voice Interface
  - Audio Input/Output Connector
- Camera Control Interface
  - One(1) RS-232C, RS422 Interface for External Camera Control
- I/O Interface
  - 2 Alarm Input, 1 Relay

# Hardware Specification

AP-NC600 Video Codec

High-end  
**DSP**

AP-NC600 Front Side View



Gigabit Ethernet

RS232C Console

Video Input (CH#0)

Video Input (CH#1)

AP-NC600 Back Side View



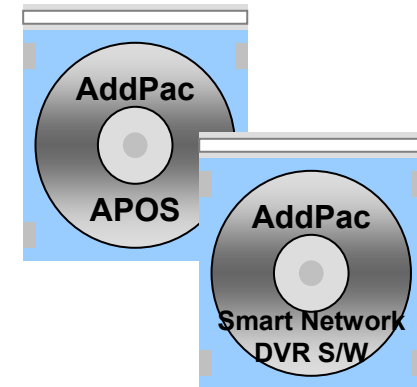
Power Adaptor Input

Power On/Off Switch

# Software Service

## AP-NC600 Video Codec

- Built-in AddPac APOS Internetworking Software
  - Scalability, Functionality, and Stability Features
  - Video Traffic QoS Control
- Programmable Video, Audio, and Voice Services
  - Video Codes, Audio, and Voice Codec
- Firmware Upgradeable DSP Architecture
- Video Server Function Support
- Industry Standard IP based Network Protocol Features
- Smart Network DVR Manager
  - Server and Client Architecture
  - Network Surveillance & Monitoring, Viewer Control, Storage Management, Login Management, and Remote System Management Support
- Smart NMS (Network Management System) for DVR Solution





# Video Service and Features

## AP-NC600 Video Codec

- Video Interface
  - Analog Interface(BNC) : NTSC, PAL
- High-performance Video Codec Support
  - H.264 HP/MP/BP
- Powerful Image Resolution Support
  - CIF(352x288), D1 Resolution : NSTC, PAL Mode
  - Additional Optional Video Resolution (QVGA, VGA, etc)
- Up to 30fps at 2Mbps with H.264 D1 Resolution
- Single Encoding Multi-Stream Support per Channel
- Dual Encoding Dual Bit-Stream Support per Channel
  - D1, CIF Dual Bit Stream /Channel
  - Additional Intelligent Feature
- 256Kbps to 4Mbps Operating Video Traffic Bandwidth
- Rate Control for Video Traffic QoS
  - Ensuring Optimized Quality
  - Frame Rate with Limited Bandwidth
- High-end Error Resilient Against Various Packet Error

# Audio & Voice Service and Features

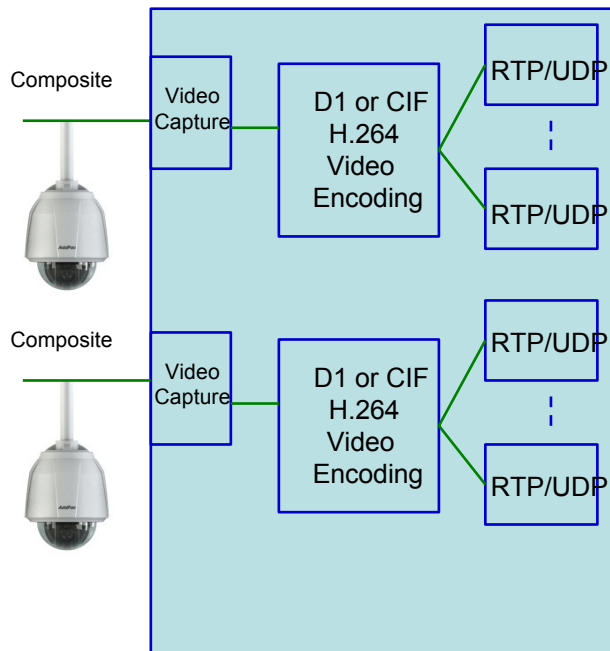
## AP-NC600 Video Codec

- Audio & Voice Networking Interface
  - Audio Input/Output Port ( Stereo Female Connector)
- IP based Audio Announcement & Broadcasting Support
- High-performance Audio & Voice Codec Support
  - Line IN/OUT : G.726, G.711 Audio Codec
- Enhanced QoS Management Features for Voice Traffics

# Video Encoding Scheme

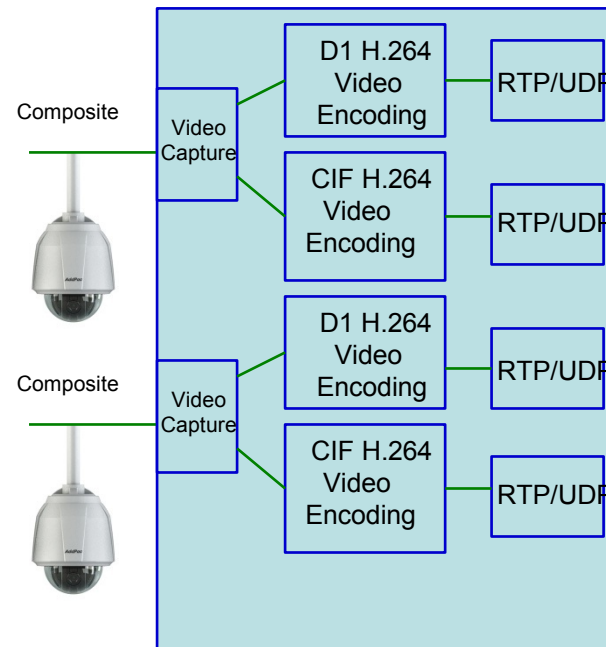
AP-NC600 Video Codec

**AP-NC600  
Video Encoder**



Single H.264 Multi-Stream Video Encoding

**AP-NC600  
Video Encoder**



H.264 Dual Video Encoding

# Network Service and Features

## AP-NC600 Video Codec

- **Network Managements**
  - Standard SNMP Agent (MIB v2) Support
  - Remote Management using Console, Telnet
  - Web based Management using HTTP Server Interface
  - Command Line Interface
- **Security Functions**
  - Standard & Extended IP Access List
  - Enable/Disable for Specific Network Protocols
  - Multi-level User Account Management
  - Auto-disconnect for Telnet/Console Sessions
  - PPP User Authentication Supports (PAP & CHAP)
- **Operation & Managements**
  - System Performance Analysis for Process, CPU, Connection Interface
  - Debugging, System Auditing, and Diagnostics Support
  - System Booting and Auto-rebooting with Watchdog Feature
  - System Managements with Data Logging
  - IP Traffic Statistics with Accounting

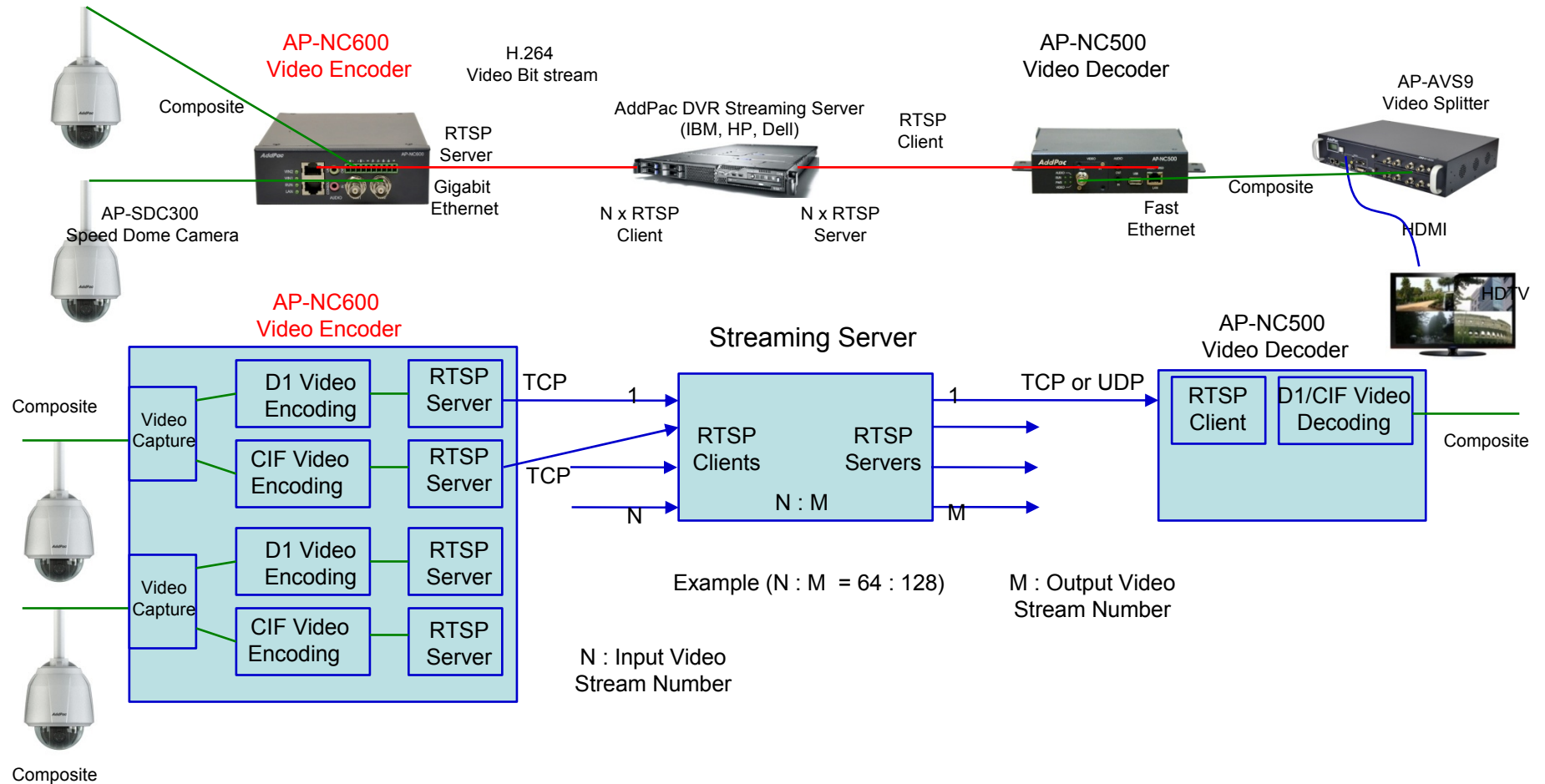
# Network Service and Features

## AP-NC600 Video Codec

- **Network Managements**
  - DHCP Server & Relay Functions
  - Network Address Translation (NAT) Function
  - Port Address Translation (PAT) Function
  - Transparent Bridging (IEEE Standard) Function
    - Spanning Tree Bridging Protocol Support
    - Remote Bridging Support
    - Concurrent Routing and Bridging Support
  - Command Line Interface (CLI)
  - Network time Protocol (NTP) Support

# RTSP Service Network Diagram

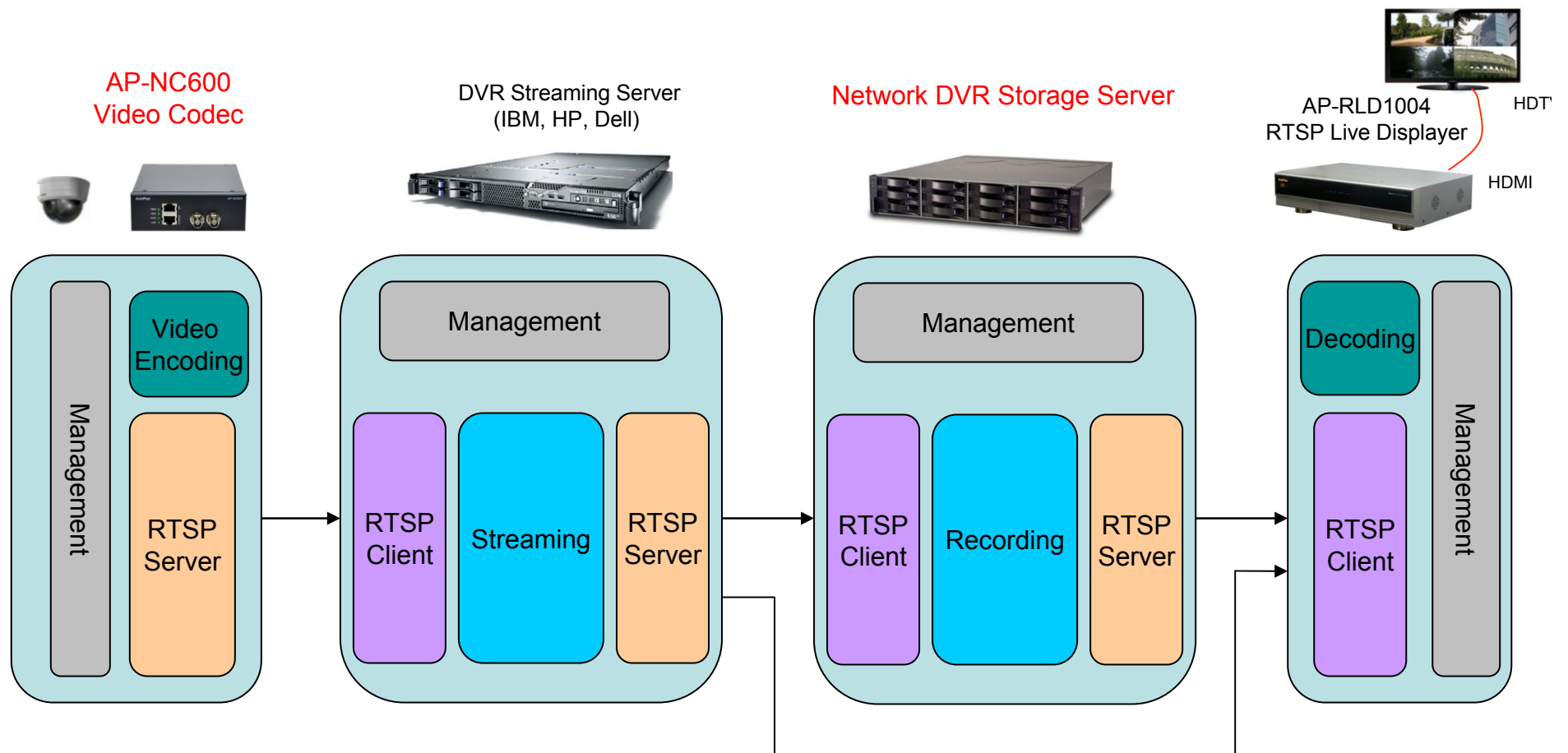
## AP-NC600 Video Codec



# RTSP based NDVR Server Protocol Diagram

AP-NC600 Video Codec

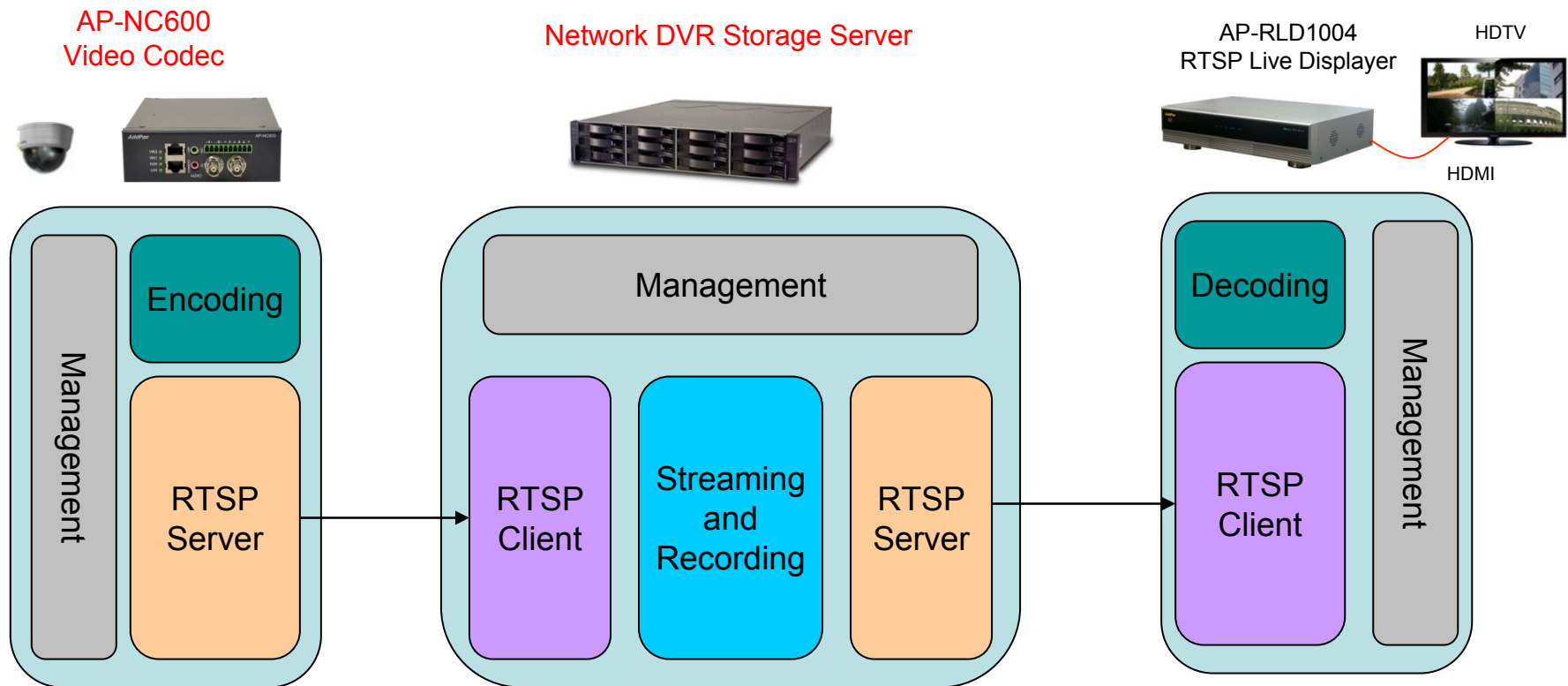
## Large Scale Network DVR Solution



# RTSP based NDVR Server Protocol Diagram

AP-NC600 Video Codec

## Small Scale Network DVR Solution (All in One)





# AP-NC600 Video Codec

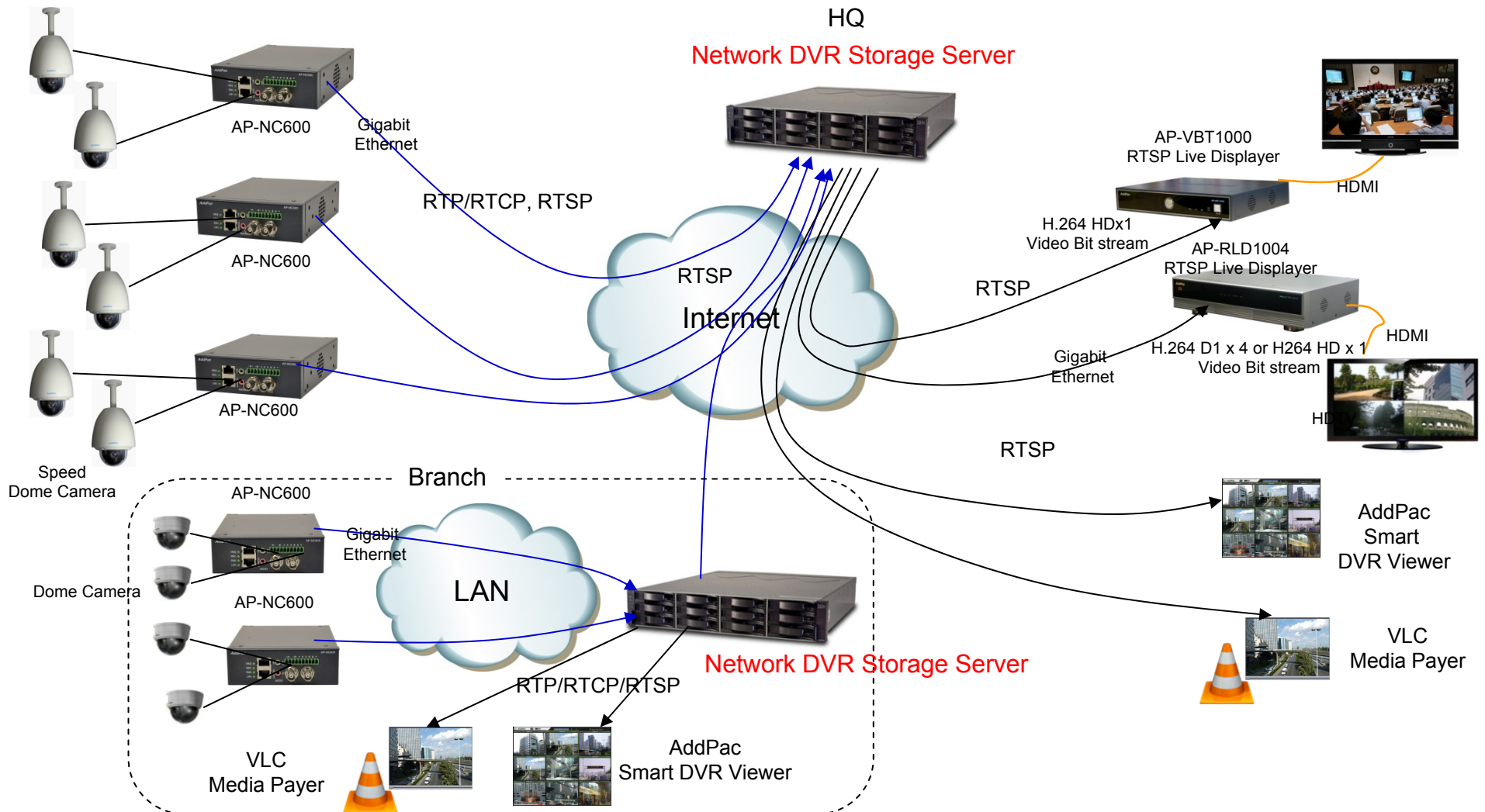
Application Area

- Network Surveillance
- IP Audio Broadcasting + Surveillance



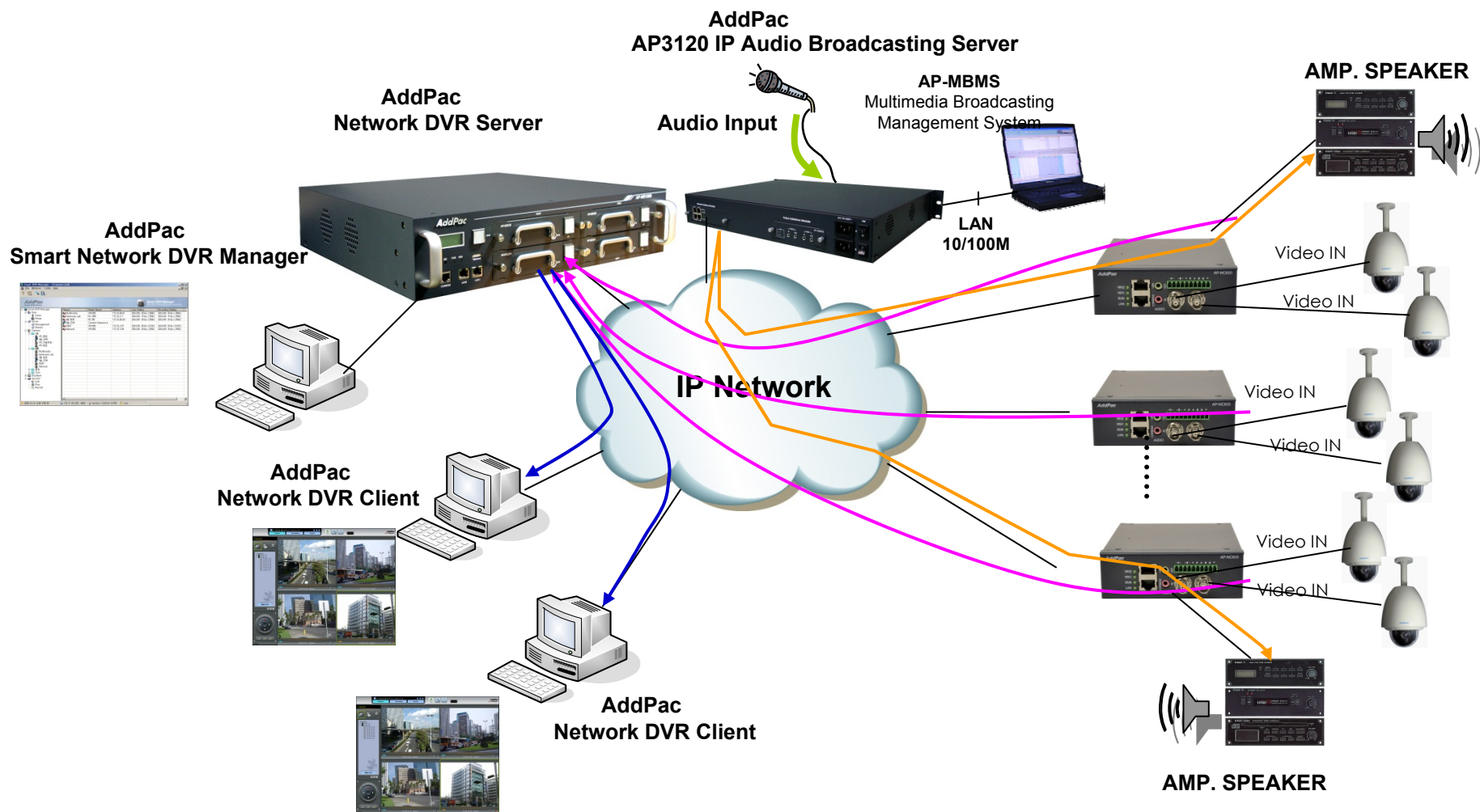
# Network Surveillance

## AP-NC600 Video Codec



# IP Audio Broadcasting + Network Surveillance

AP-NC600 Video Codec



# Ordering Information

- **AP-NC600 Video Codec Hardware Platform**
  - Programmable RISC + DSP Architecture
  - Two(2) Video Input Port (BNC)
  - One(1) Gigabit Ethernet Port(RJ45)
  - One(1) RS232C Console Port for CLI(RJ45)
  - One(1) Audio Input/Output Port Interface
  - One(1) RS232, RS485 Interface for External Camera Control
  - 2 Alarm Input, 1 Relay Out Interface
  - External Power Supply Adaptor
- **Built-in APOS Internetworking Software for AP-NC600**
- **Including 1 Year Hardware Warranty**
- **Product Documents**
  - Install and Operation Guide (PDF)
- **Pricing**
  - AddPac Technology Regional Sales Manager
  - Authorized Sales and Marketing Representatives
  - Please Contact [www.addpac.com](http://www.addpac.com)



# Thank you!

**AddPac Technology Co., Ltd.**  
Sales and Marketing

Phone +82.2.568.3848 (KOREA)

FAX +82.2.568.3847 (KOREA)

E-mail [sales@addpac.com](mailto:sales@addpac.com)