



# AP-IP150™

## BcN IP Phone

High Performance Broadband Convergence Network  
IP Phone Solution

# CTI Application



# **AddPac**

AddPac Technology

[www.addpac.com](http://www.addpac.com)

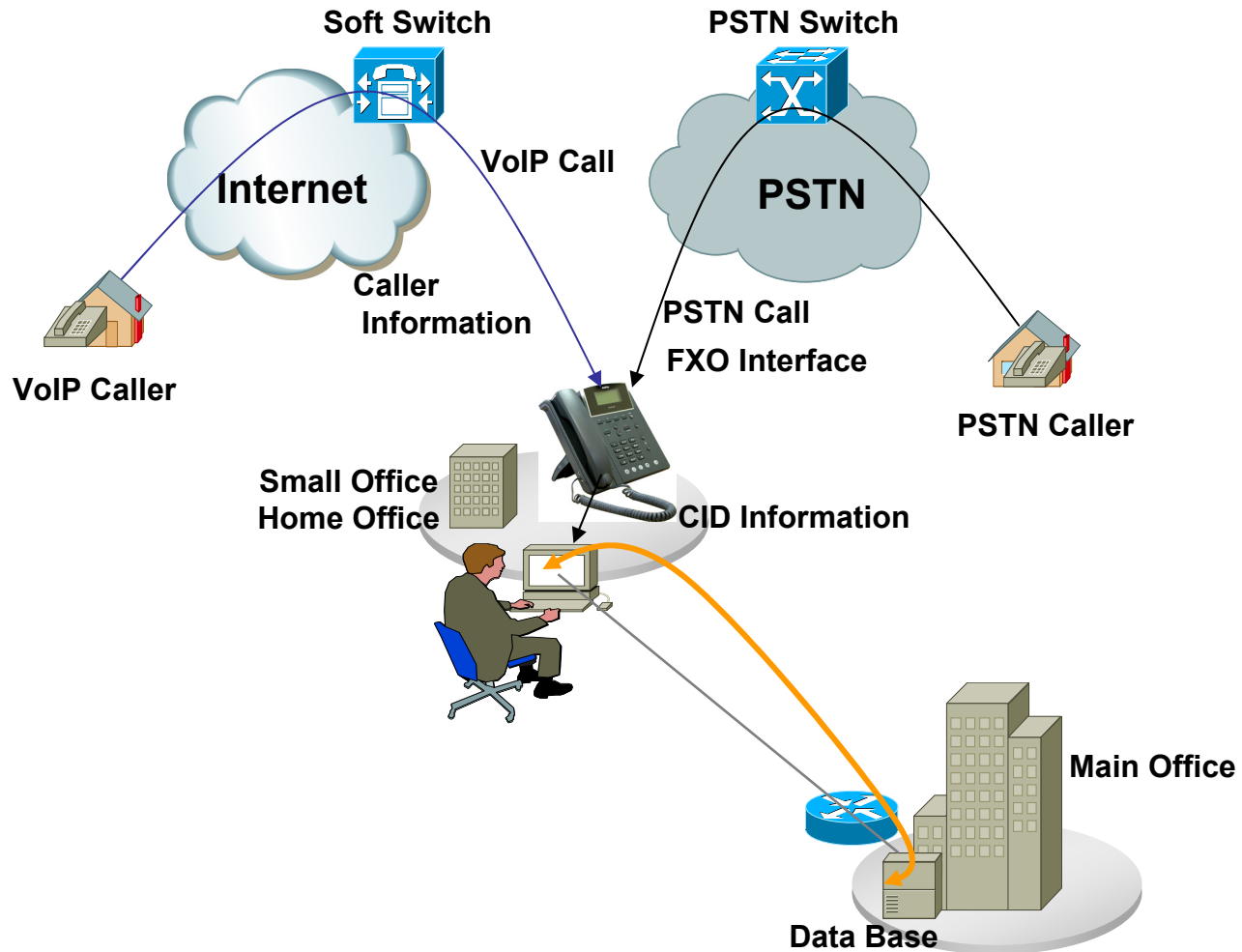
# Contents

- CTI Application using Caller ID
- Network Diagram
- Message Flow

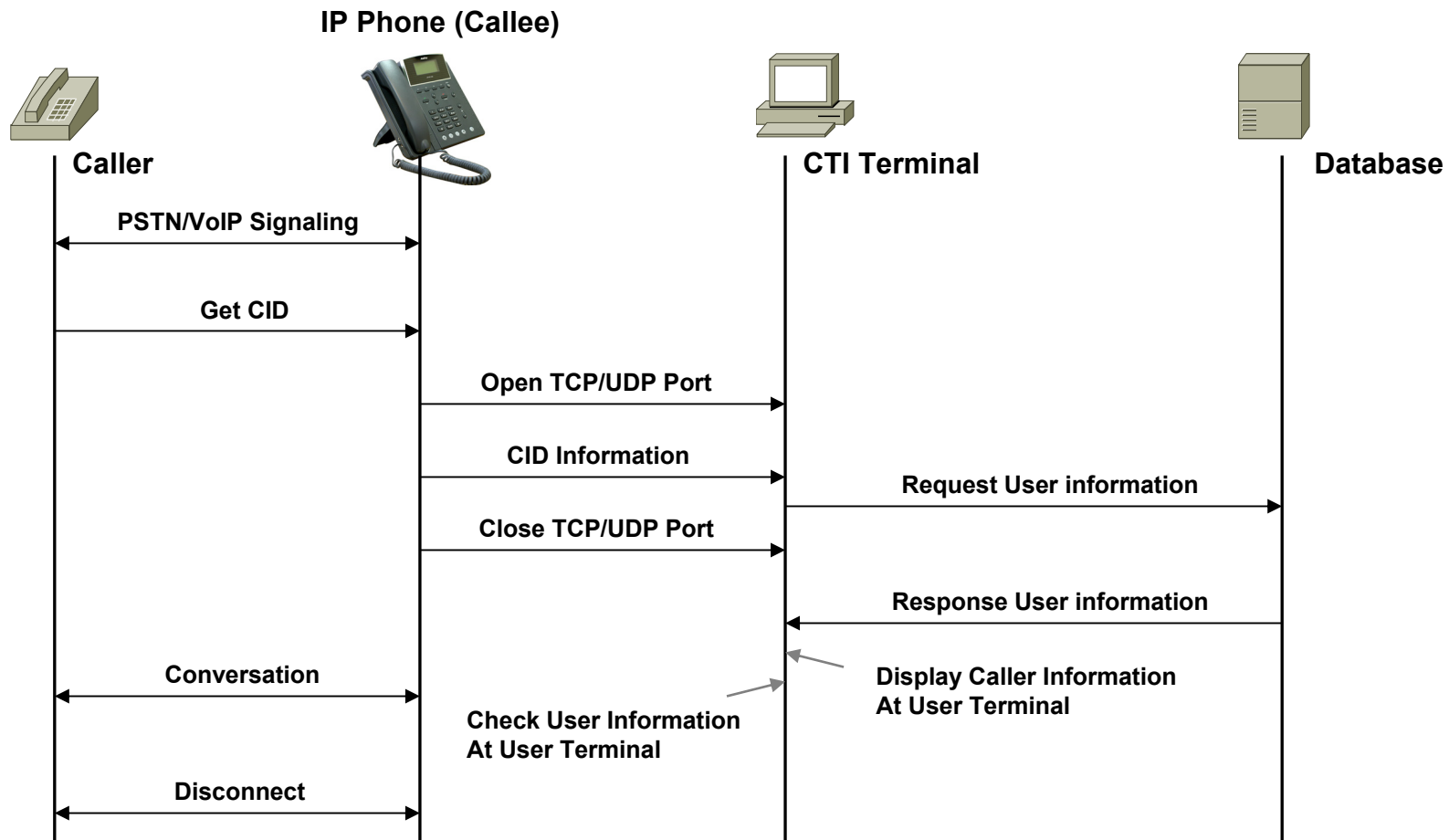
# CTI using CID

- Simple CTI (Computer and Telephony Integration) Application
- AddPac IP-Phone or VoIP Gateway send CID information to CTI application via TCP/UDP socket
- CTI application get caller information using HTTP or custom specific protocol

# Basic Network Diagram



# Message Flow



# IP Phone Series

# Thank you!

**AddPac Technology Co., Ltd.**  
Sales and Marketing

Phone +82.2.568.3848 (KOREA)

FAX +82.2.568.3847 (KOREA)

E-mail [sales@addpac.com](mailto:sales@addpac.com)