



AP-IP100™

BcN IP Phone

High Performance Broadband Convergence Network
IP Phone Solution

Stun Client Features



AddPac

AddPac Technology

2007, Sales and Marketing

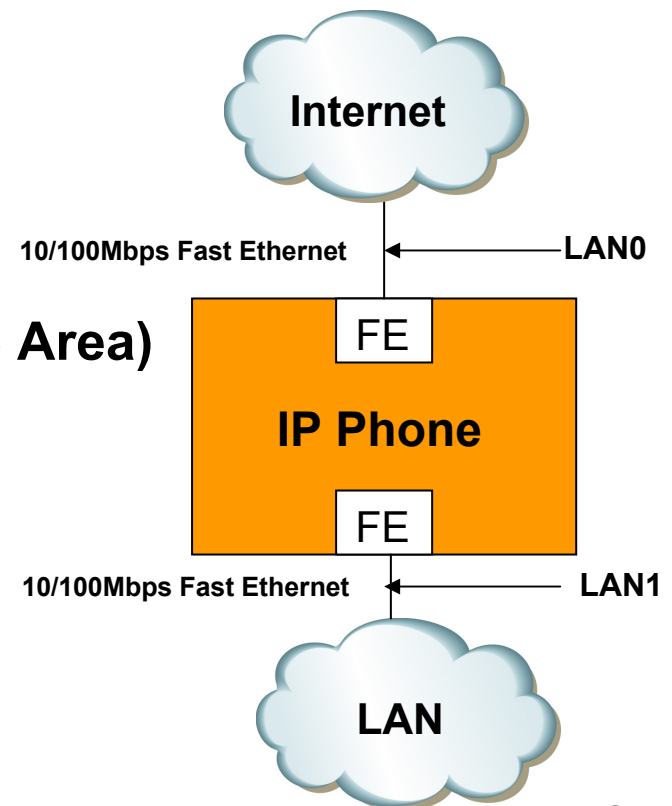
www.addpac.com

Contents

- AP-IP100 H/W Specification
- What is STUN ?
- Network Service Diagram
- APOS Commands for STUN function

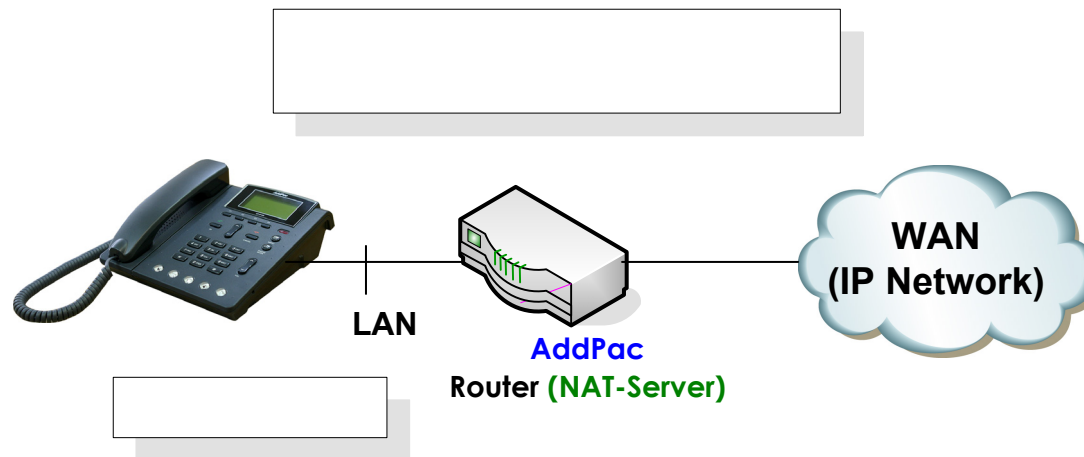
AP-IP100 H/W Specification

- **RISC+DSP Microprocessor Computing Power (Dual Processor Architecture)**
- **Optional FXO Interface for PSTN Backup : AP-IP100E**
- **Optional FXS Interface for FAX, Phone : AP-IP100B**
- **High quality Audio and Voice Interface**
 - Stereo Audio Input Connector
 - Stereo Audio Output Connector
- **Network Interface**
 - Two(2) 10/100Mbps Fast Ethernet
- **LCD Window : 66.54mm x 33.26mm(Active Area)**
Graphic LCD
- **Power Supply**
 - External Power Adaptor (5V, 2A)

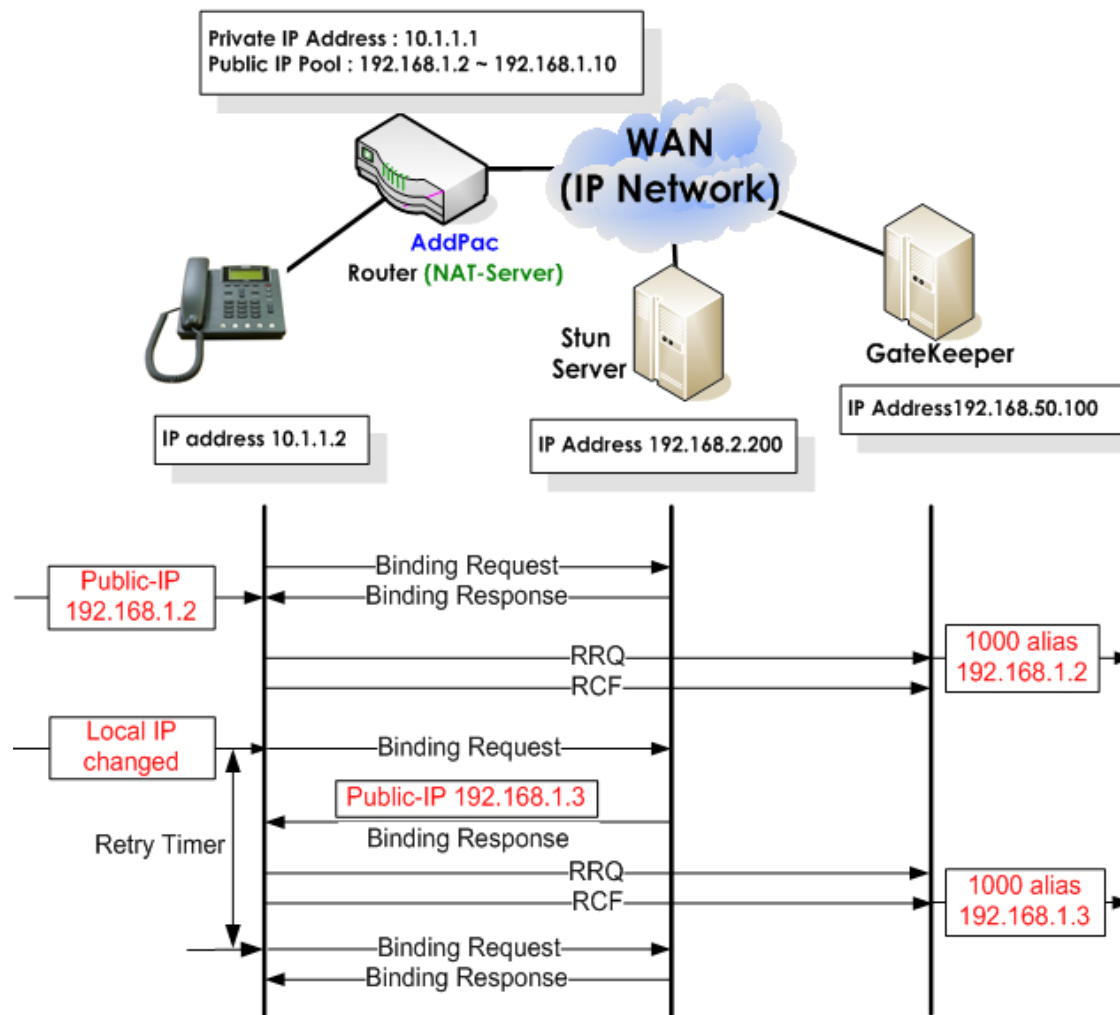


What is STUN ?

- **STUN (Simple Traversal of User Datagram Protocol(UDP) Through Network Address Translators(NATs)) : RFC3849**
- **UDP based Protocol**
- **Protocol for solving the Dynamic Public IP address Problem in Private/Public IP Mapping Environment**



Network Service Diagram



APOS Commands for STUN

STUN Function Enable

Step	Command	Explanation
1	# config	Enter the APOS command Setting Mode
2	(config)# interface eth 0.0	Enter the interface setting mode
3	(config-ether0.0)# ip stun-server 61.33.161.111	IP address setting of stun server
4	(config-ether0.0)# ip stun-server retry-time 10	Periodic stun request message interval setting

STUN Function Disable

Step	Command	Explanation
1	(config-ether0.0)# no ip stun-server	stun function release

IP Phone Series

Thank you!

AddPac Technology Co., Ltd.
Sales and Marketing

Phone +82.2.568.3848 (KOREA)

FAX +82.2.568.3847 (KOREA)

E-mail sales@addpac.com