



IPNext 5000 NGN IP-PBX

High-performance Next Generation IP-PBX Solution

Preliminary Product Overview

(Without notice, following described technical spec. can be changed)



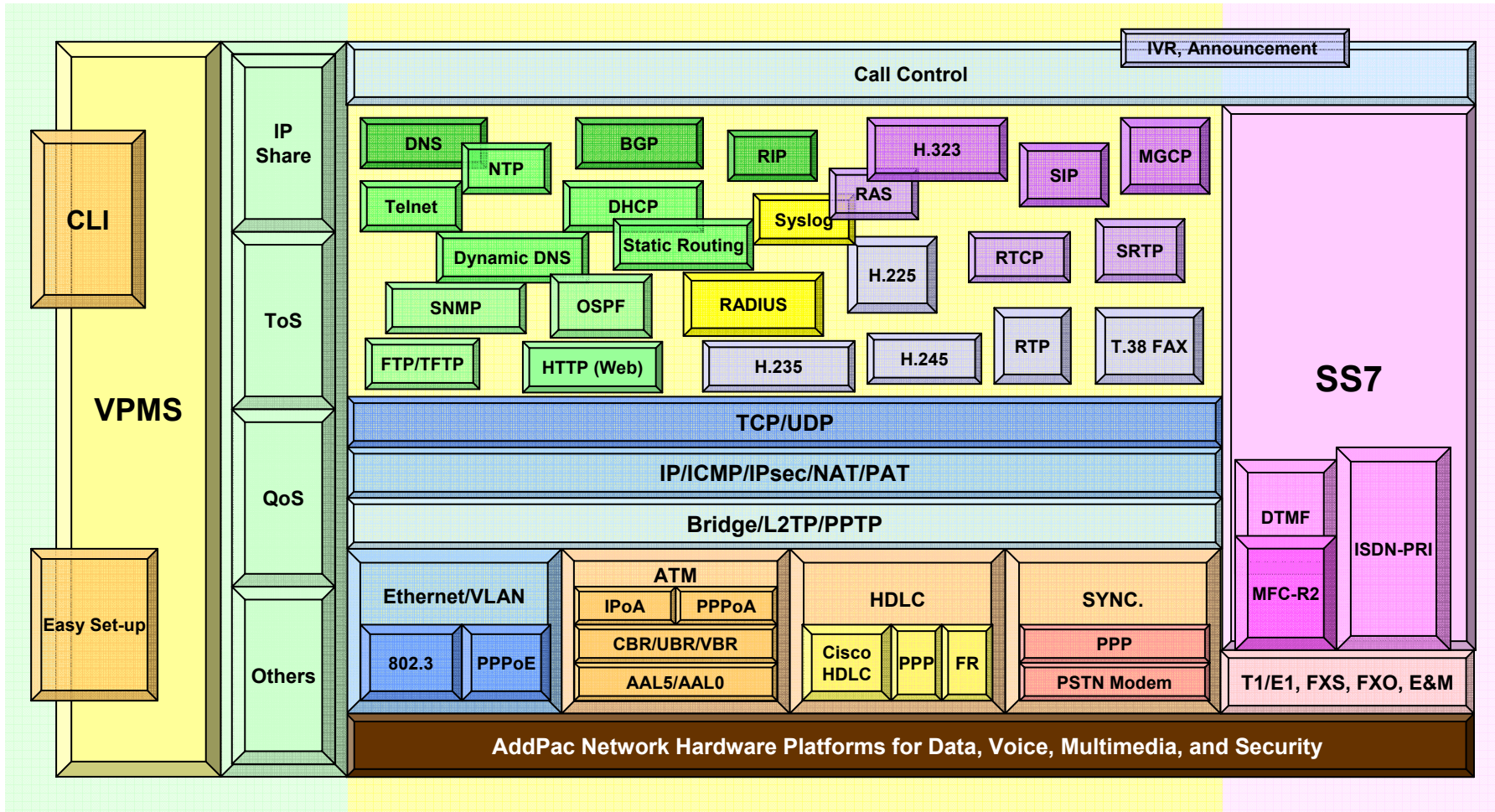
AddPac

AddPac Technology

Sales and Marketing

www.addpac.com

APOS Internetworking Protocol



IPNext 5000 NGN IP-PBX

- Product Overview
- Hardware Specification
- System Redundancy Features
- Multimedia Service
- Software Service
- Network Service and Features
- User Terminals
- Application Area
- Ordering Information



Product Overview

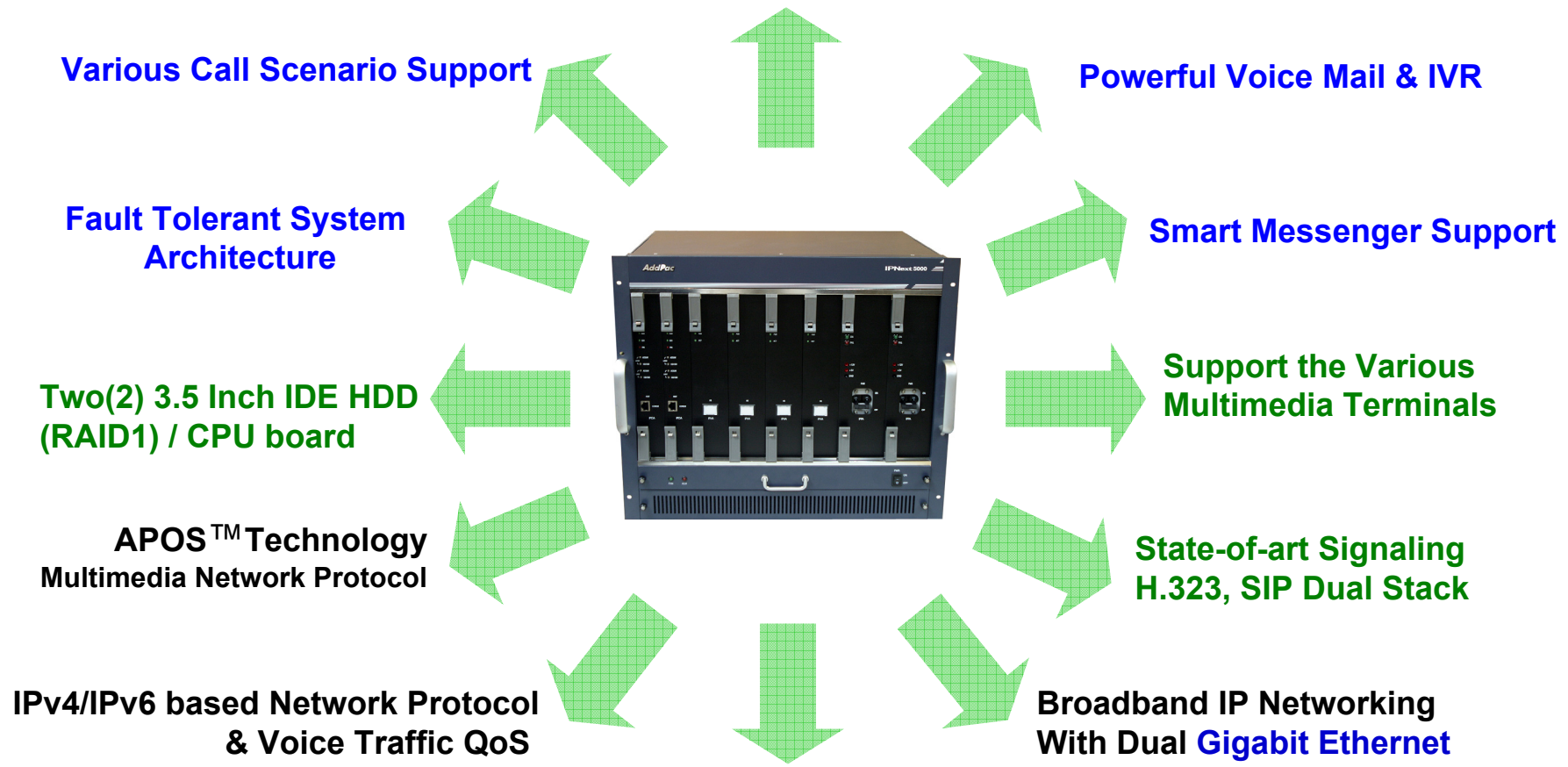
IPNext 5000 Next Generation IP-PBX

- IP based Advanced PBX Solution
- IPv4/IPv6 based Dual Network Protocol Support
- Internal/External RTP Proxy Function Support
 - External RTP Proxy Server for Private Address : AP-RS2000
- Internal/External Presence Function Support with Smart Messenger
 - External Presence Server : AP-PS2000
- Powerful Management and User Friendly Features
- Fault Tolerant and Scalability Architecture
- High-performance Video, Audio, and Voice Service
- Firmware Upgradeable Architecture
- Dual System Redundancy Architecture
 - Two(2) 3.5 Inch Hard Disk (RAID 1) / System
 - Two(2) Gigabit Ethernet Interface / System
- Dual Redundancy Power Module

Product Highlights

IPNext 5000 Next Generation IP-PBX

IP based Advanced IP-PBX



Hardware Specification

IPNext 5000 Next Generation IP-PBX

RISC
CPU

- **64bit High-End C Microprocessor Computing Power**
- **Main Chassis**
 - **Dual Redundancy CPU Boards for System Fault Tolerant**
 - Two(2) 10/100Mbps Gigabit Ethernet
 - One(1) RS-232C Console (RJ45)
 - Two(2) 3.5 Inch Hard Disk Interface Slot (RAID 1)
 - **Dual Redundancy Power Supply Module**
 - **Hot-Swap Features**

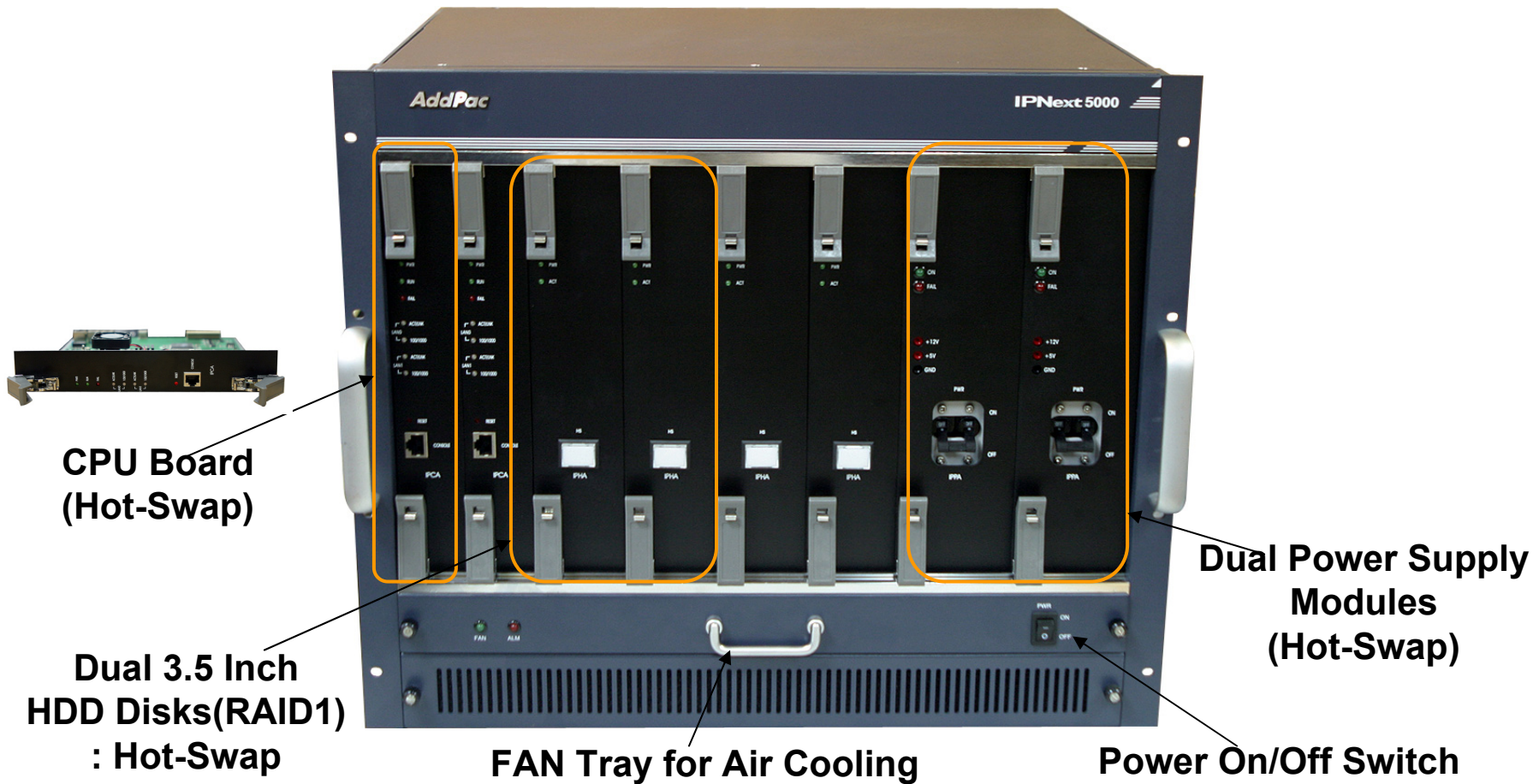


Hardware Specification

IPNext 5000 Next Generation IP-PBX

RISC
CPU

IPNext 5000 Front Side

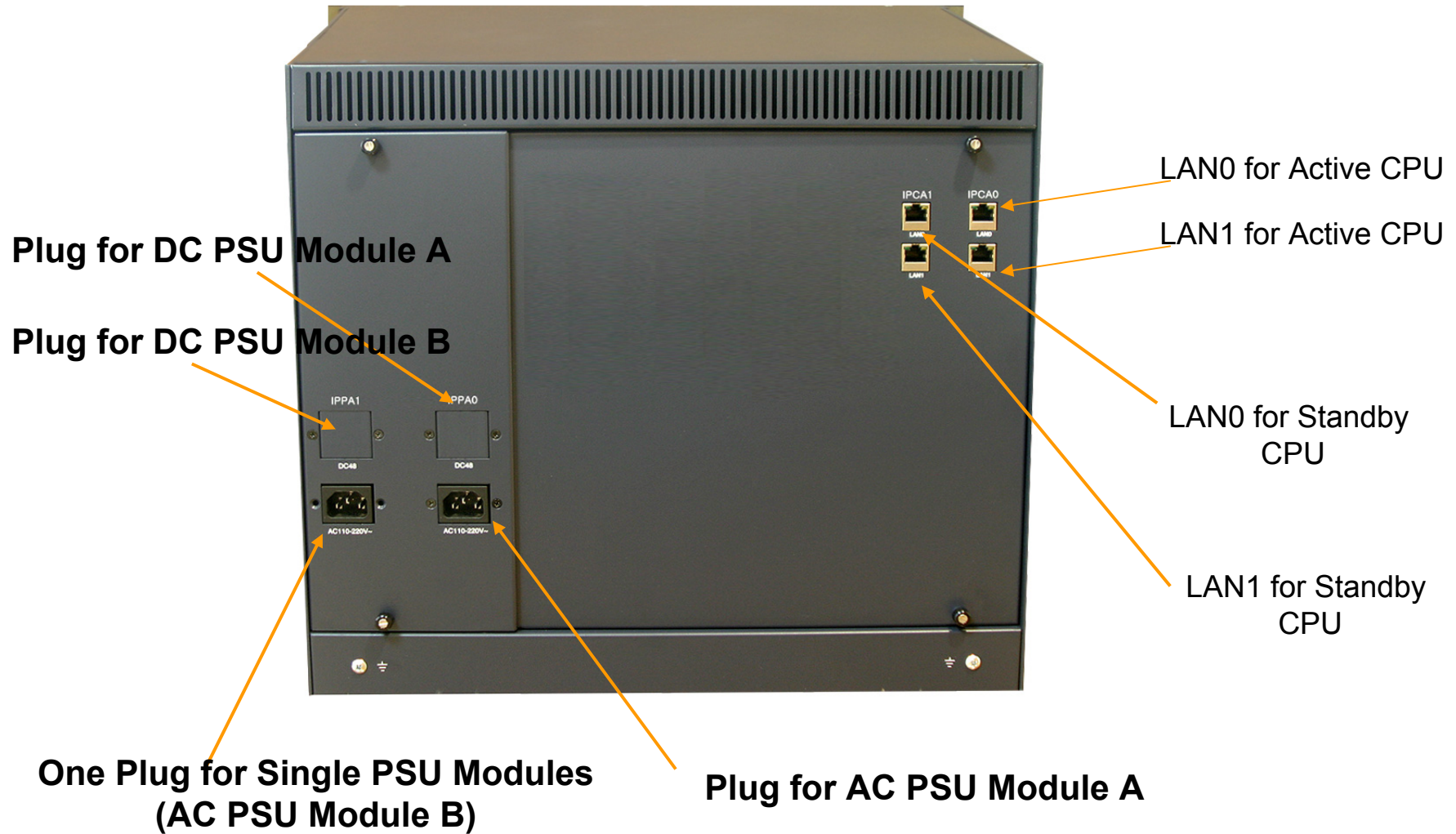


AddPac

www.addpac.com

Hardware Specification

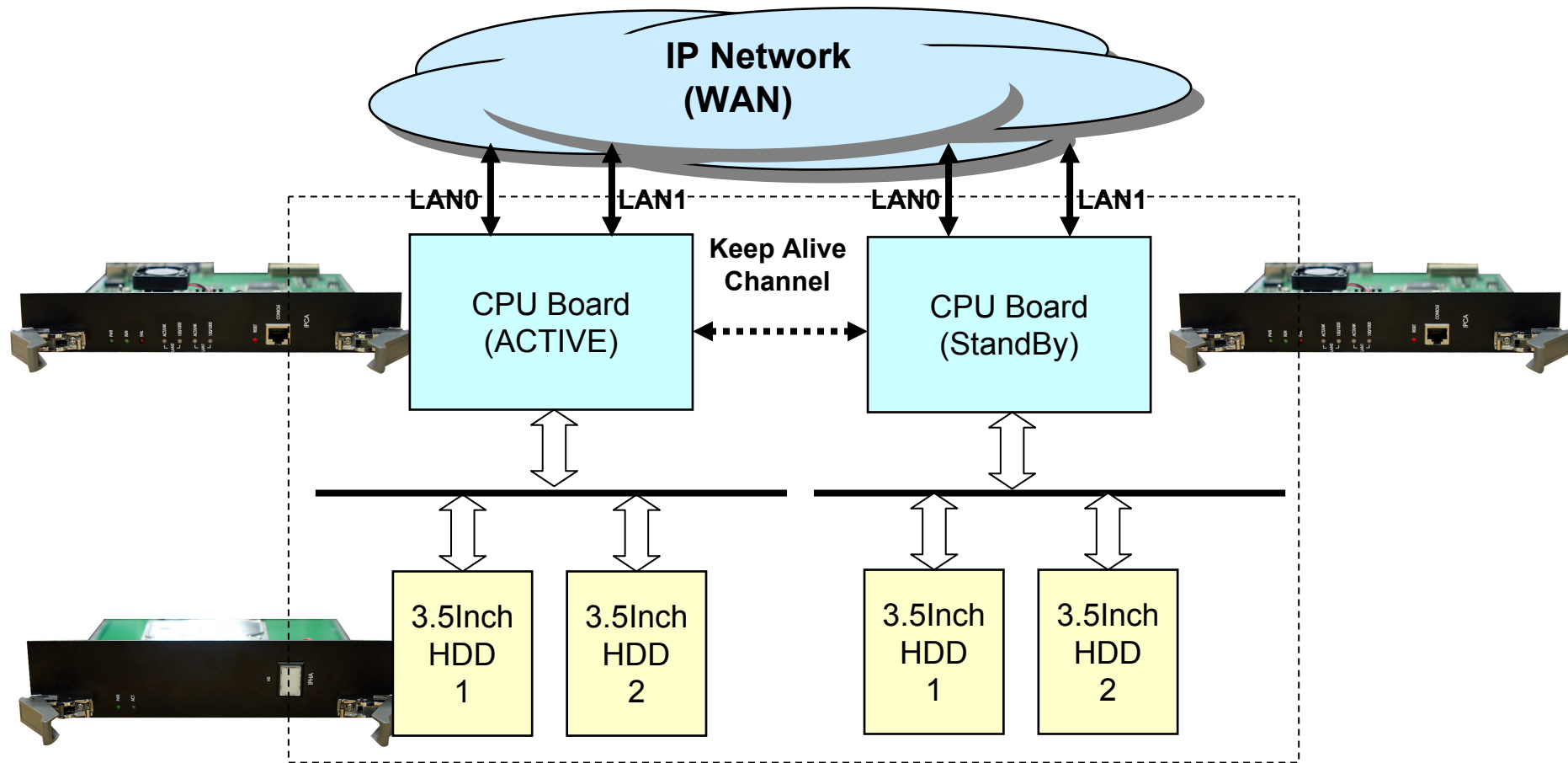
IPNext 5000 Next Generation IP-PBX



System Redundancy Features

IPNext 5000 Next Generation IP-PBX

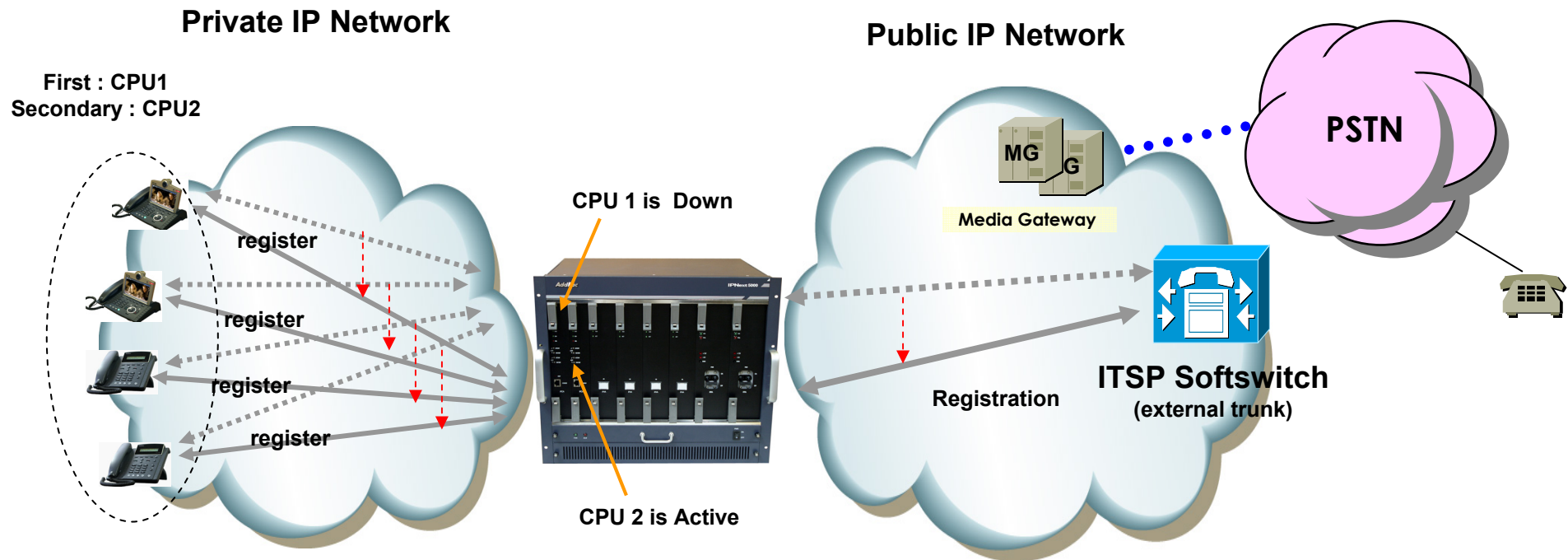
IPNext5000 System Block Diagram



System Redundancy Features

IPNext 5000 Next Generation IP-PBX

- Active– Active Duplication Scheme
- Active – Standby Duplication Scheme
- VRRP based Duplication Scheme

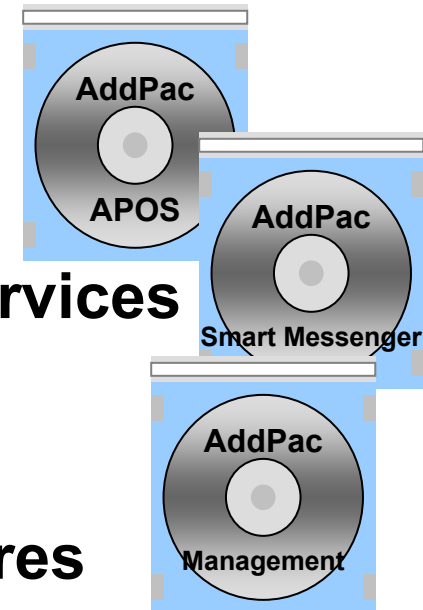


Active – Standby Duplication Scheme (example)

Software Service

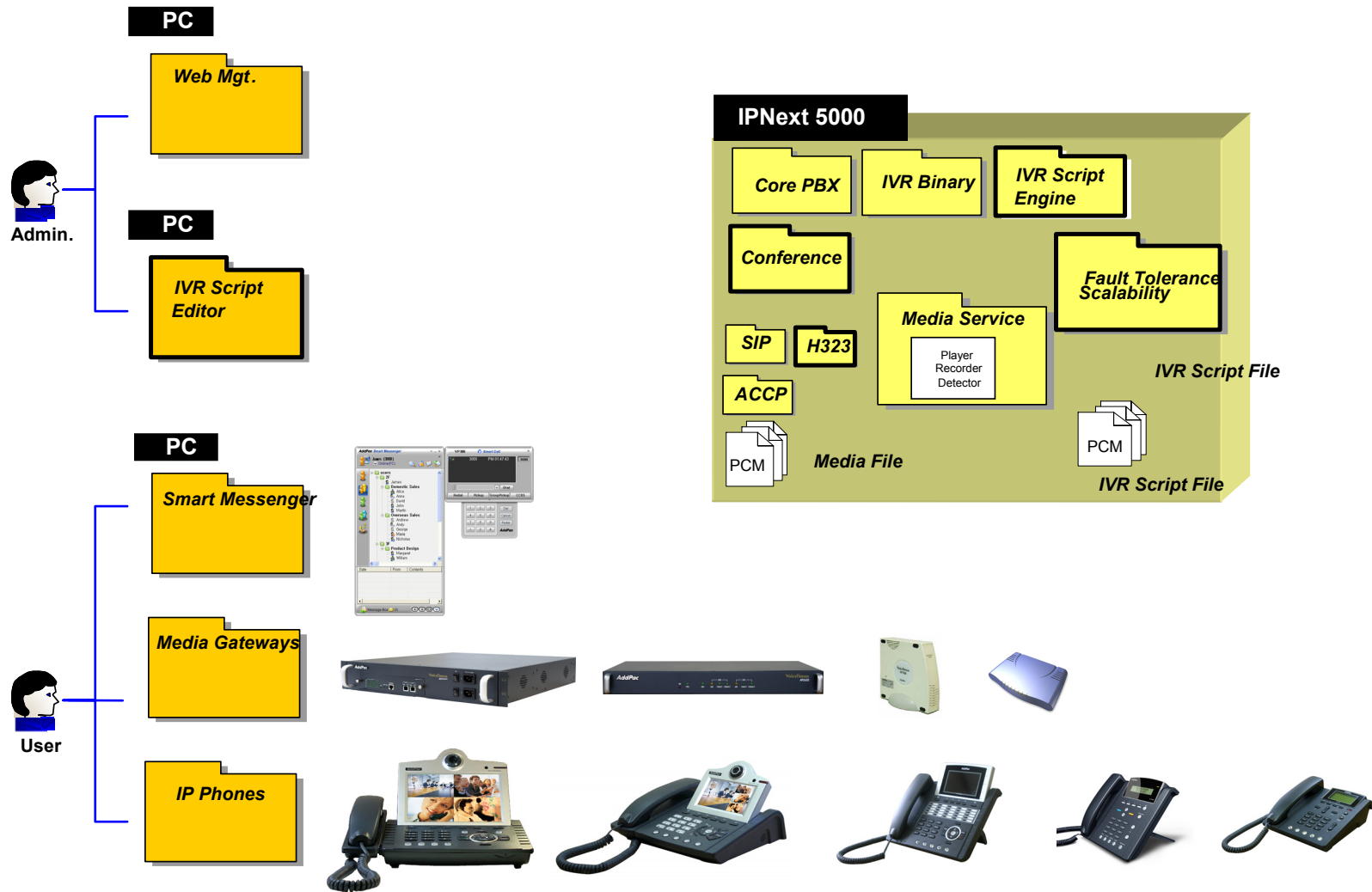
IPNext 5000 Next Generation IP-PBX

- **Built-in AddPac APOS Internetworking Software**
 - Scalability, Functionality, and Stability Features
 - Advanced IP-PBX Call Manager Features
 - QoS Control Features
- **Programmable Video, Audio, and Voice Services**
 - Audio, Video and Voice Codec
- **Firmware Upgradeable Architecture**
- **Industry Standard Network Protocol Features**
- **Highly User Friendly Management Features**
 - PC based Smart Messenger
 - Smart Multimedia Manager for Operation & Management



IP-PBX Software Components

IPNext 5000 Next Generation IP-PBX



Telephony Service and Features

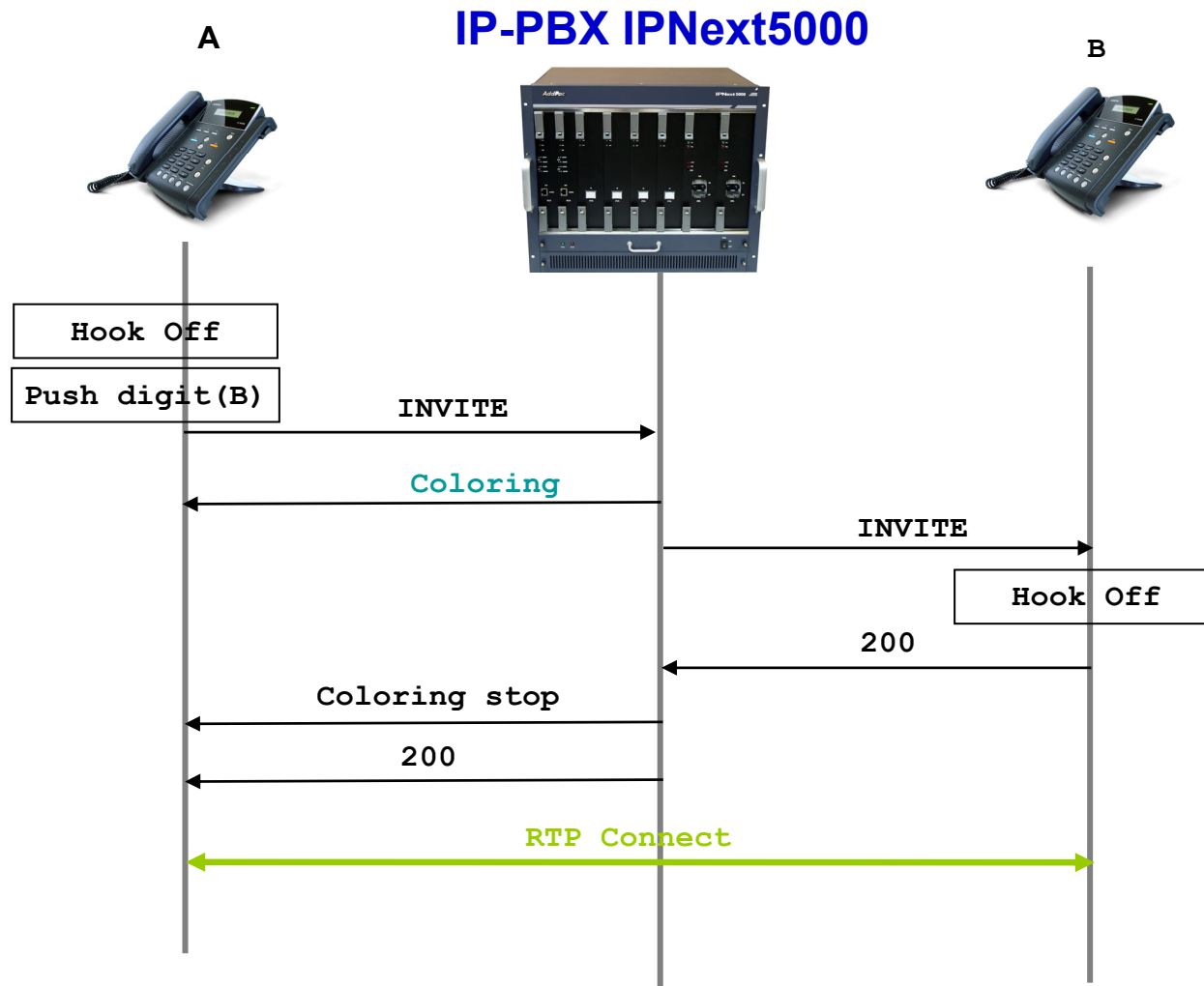
IPNext 5000 Next Generation IP-PBX

- **Basic Call**
- **Coloring Service**
- **Music On Hold**
- **Blind Transfer**
- **Call Pickup**
- **Group Call Pickup**
- **Consult Call**
- **Switching Call**
- **Consult Transfer**
- **Call Waiting**
- **Call Park**
- **Call Pickup Remote**
- **Hunt Group**
- **etc**



SIP based Basic Call Scenario

IPNext 5000 Next Generation IP-PBX



Network Service and Features

IPNext 5000 Next Generation IP-PBX

Basic Network Protocols

- ARP, IP, IPv6, TCP, UDP, ICMP, ICMPv6, SCTP, IGMP, MLD

Routing Protocol

- IPv4 : Static
- IPv6 : Static

Service Protocol

- FTP, Telnet, TFTP, DHCP Server/Relay, SNMP Server
- CDP (Cisco Discovery Protocol)
- DNS Resolver , DDNS(nsupdate)
- Bridge
- Syslog
- IP/IPv6 policy control (QoS)
- VPDN (Virtual Private Dial-up Network : L2TP Server)

Network Service and Features

IPNext 5000 Next Generation IP-PBX

IPv4/IPv6 Interworking

- NAT/PAT for IPv4
- IP connect (formerly ip-share) and device cascade for IPv4
- IP/IP, IP/GRE tunneling
- NAT-PT
- 6to4, Autoconfig tunneling

IPv4 Address Configuration

- Fixed (Static)
- DHCP
- PPPoE

IPv6 Address Configuration

- Fixed (Static)
- EUI-64
- Autoconfig (Neighbor Advertisement and Solicitation)

Network Service and Features

IPNext 5000 Next Generation IP-PBX

Miscellaneous

- Cisco Style CLI
- Standard & Extended IPv4/IPv6 Access List
- Multi-level User Account Management
- IP accounting
- fsh (Embedded file system shell)
- STUN Client

Network Service and Features

IPNext 5000 Next Generation IP-PBX

SNMP MIBs

- MIB-II
- RMON MIBs (Statistics, History, Alarm, Hosts Group)
- RFC2465 Management Information Base for IP Version 6: Textual Conventions and General Group
- RFC2466 Management Information Base for IP Version 6: ICMPv6 Group
- RFC2452 IP Version 6 Management Information Base for the Transmission Control Protocol
- RFC2454 IP Version 6 Management Information Base for the User Datagram Protocol
- AddPac Enterprise MIBs
- etc

IP based User Terminals

IPNext 5000 Next Generation IP-PBX

- AP-VP350 MCU Video Phone
- AP-VP300 Video Phone
- AP-VP250 Video Phone(2007, Q2)
- AP-VP200 Video Phone
- AP-VP150 Video Phone (New)
- AP-IP300 IP Phone (New)
- AP-IP200 IP Phone
- AP-IP100 IP Phone (New)
- Window based Smart Messenger
- Future Plan : AP-WP100 WiFi IP Phone

AP-VP150 Video Phone (New)

IPNext 5000 Next Generation IP-PBX

- **4.3 Inch LCD Display**
- **External Video Interface**
 - Composite (RCA) Video Out, S-Video Out
- **External Audio In/Out**
- **High-performance Video Codec Support**
 - H.263, MPEG-4, JPEG, and H.264
- **Powerful Image Resolution Support**
 - QCIF(176x144), CIF(352x288), QVGA(320x240), and VGA(640x480)
- **Up to 30fps at 1Mbps with VGA-Resolution(MPEG-4)**
- **Video Conference Call Support (AddPac MCU Inter-working)**
- **SIP, H.323 Signaling Support**
- **Rate Control for Video Traffic QoS**
 - Ensuring Optimized Quality
 - Frame Rate with Limited Bandwidth
- **High-end Error Resilient Against Various Packet Error**



AP-IP300 Premium IP Phone (New)

IPNext 5000 Next Generation IP-PBX

- **LCD Window : 4.3 Inch High Quality Color LCD**
- **External I/O Interface**
 - Audio In/Out
 - Two(2) Fast Ethernet Interface
 - PSTN FXO Interface (option)
 - USB 1.1 Host Mode Interface
- **25 Speed Dial Key and Presence Indication LAMP**
- **Various Voice Codec Support**
 - G.711, G.726, G.729, G.723.1, etc
- **SIP, H.323 Signaling Support**
- **Traffic Control, IP Share**
- **IP Audio Broadcasting Support**



AP-IP100 IP Phone (New)

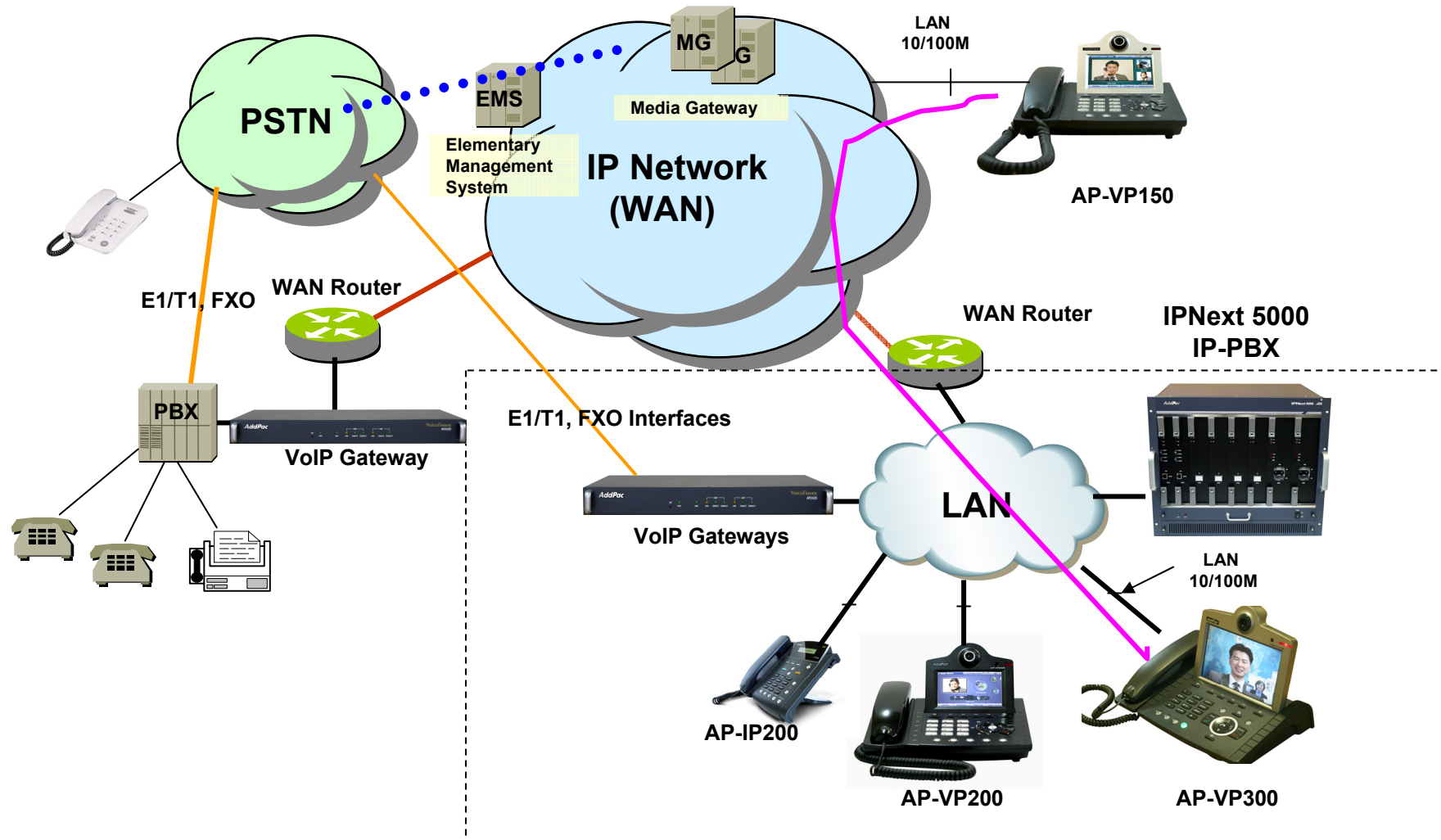
IPNext 5000 Next Generation IP-PBX

- **LCD Window : 66.54mm x 33.26mm(Active Area) Graphic LCD**
- **External I/O Interface**
 - Audio In/Out
 - Two(2) Fast Ethernet Interface
 - PSTN FXO Interface (optional, AP-IP100E Model)
 - FXS Interface (optional, AP-IP100B Model)
- **Various Voice Codec Support**
 - G.711, G.726, G.729, G.723.1, etc
- **SIP, H.323 Signaling Support**
- **Traffic Control, IP Share**
- **IP Audio Broadcasting Support**



Standard IP-PBX Application

IPNext 5000 Next Generation IP-PBX



Ordering Information

- **IPNext 5000 Next Generation IP-PBX Hardware**
 - IPNext 5000 IP-PBX Main Body
 - High-performance 64bit RISC CPU
 - High-End 64bit CPU board (Hot-Swap)
 - 2-ports Gigabit Ethernet and 1-port RS-232C Console
 - RAID 1 Dual Hard Disk (3.5 Inch IDE 160 Giga, Extendable)
 - Including Network Cable Set & Ext. Power Supply, etc.
 - Power Supply Module (Hot-Swap)
 - Additional CPU board& RAID1 HDD for Fault Tolerant (option)
 - Additional Power Supply Module for Redundancy (option)
- **Built-in APOS Internetworking Software for IPNext 5000**
- **Including 1 Year Hardware Warranty**
- **Product Documents**
 - Install and Operation Guide (PDF)
- **Pricing**
 - AddPac Technology Regional Sales Manager
 - Authorized Sales and Marketing Representatives

IPNext 5000 Next Generation IP-PBX

Thank you!

AddPac Technology Co., Ltd.
Sales and Marketing

Phone +82.2.568.3848 (KOREA)

FAX +82.2.568.3847 (KOREA)

E-mail sales@addpac.com