



AP100

VoIP Gateway

High Performance VoIP Gateway Solution

Design Concept



AddPac

AddPac Technology

Sales and Marketing

www.addpac.com

Contents

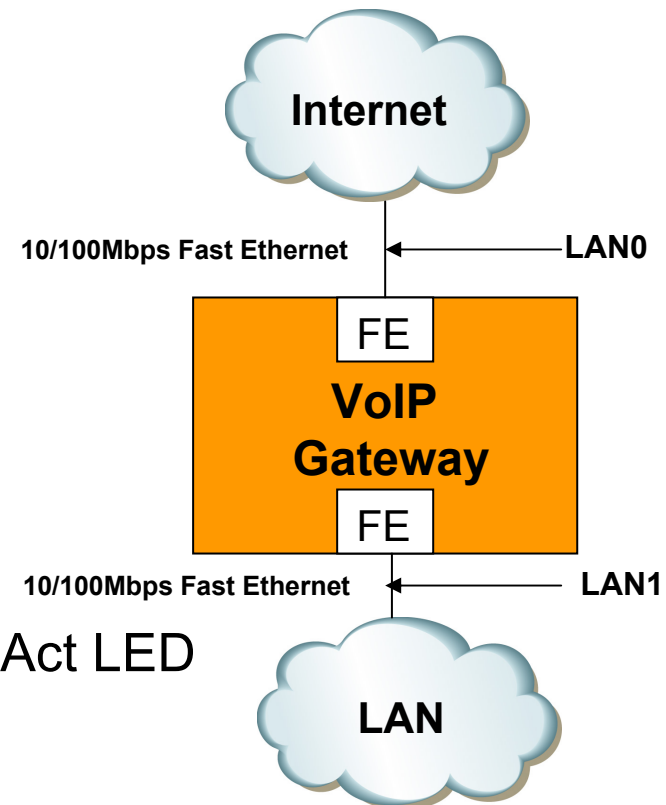
AP100 VoIP Gateway

- Hardware Specification
- Hardware Block Diagram
- Application

Hardware Specification

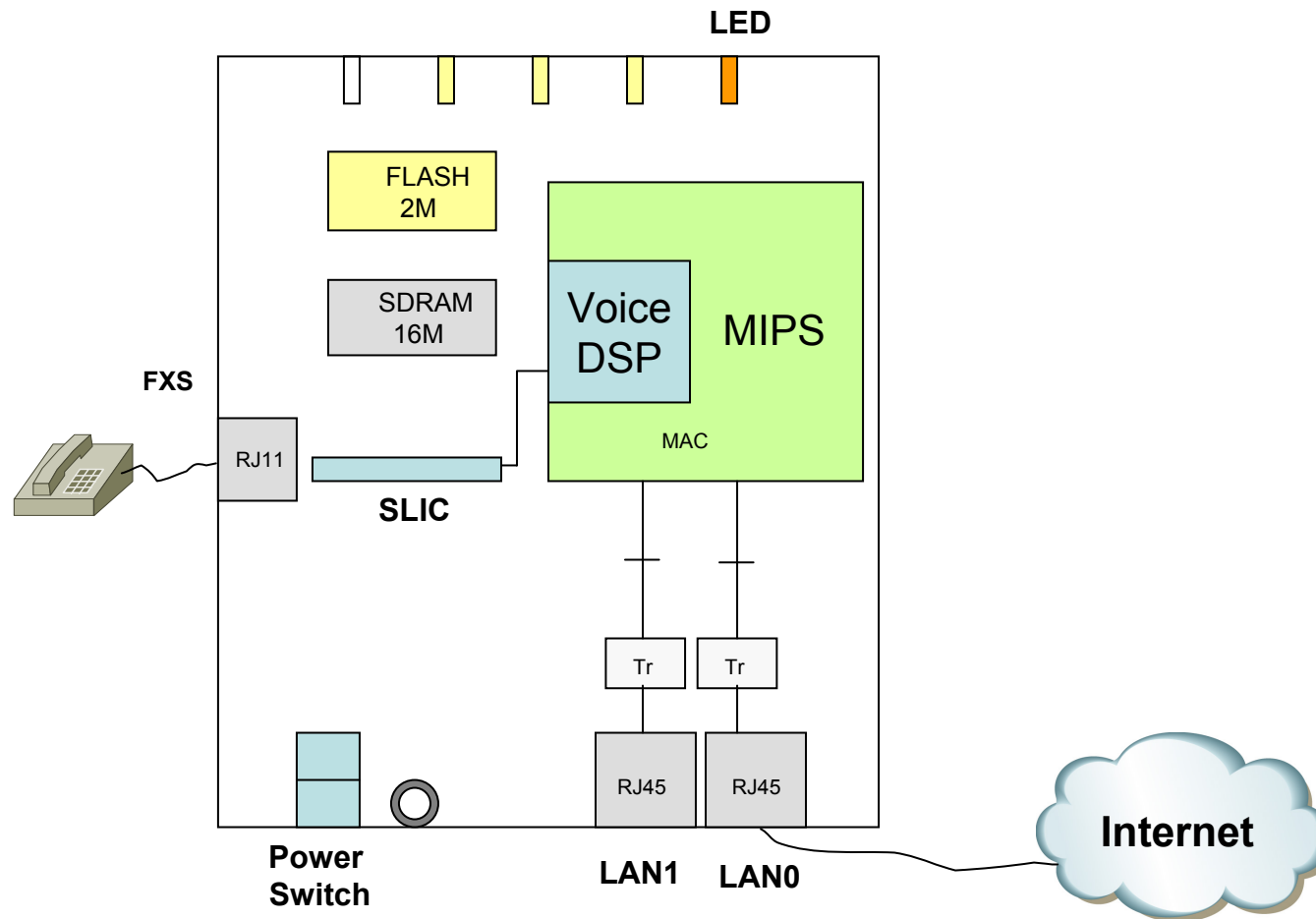
AP100 VoIP Gateway

- **RISC Microprocessor Computing Power + High End Programmable DSP**
- **VoIP FXS Port**
 - 1-Port FXS Interface
- **Network Interface**
 - Two(2) 10/100Mbps Fast Ethernet
- **Power Supply**
 - External Power Adaptor(5V, 2A)
 - Power ON/OFF Switch
- **Status LEDs**
 - Power LED, LAN0/LAN1 LED, FXS Act LED



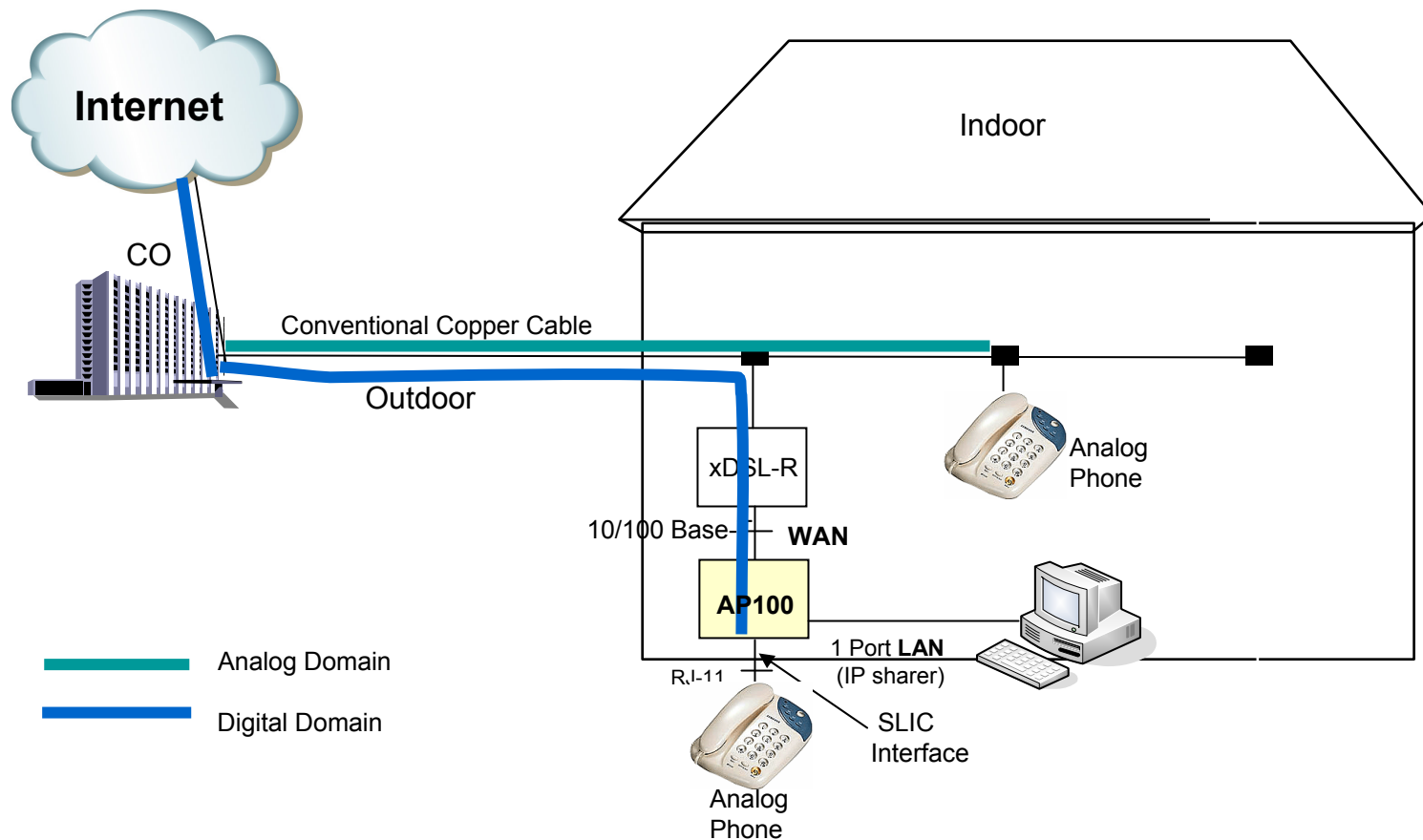
Hardware Logical Diagram

AP100 VoIP Gateway



Application

AP100 VoIP Gateway



AP100 VoIP Gateway

Thank you!

AddPac Technology Co., Ltd.
Sales and Marketing

Phone +82.2.568.3848 (KOREA)

FAX +82.2.568.3847 (KOREA)

E-mail sales@addpac.com