
AP100 VoIP Gateway

Performance Study: LAN-to-LAN Throughput Test



AddPac Technology Co. Ltd

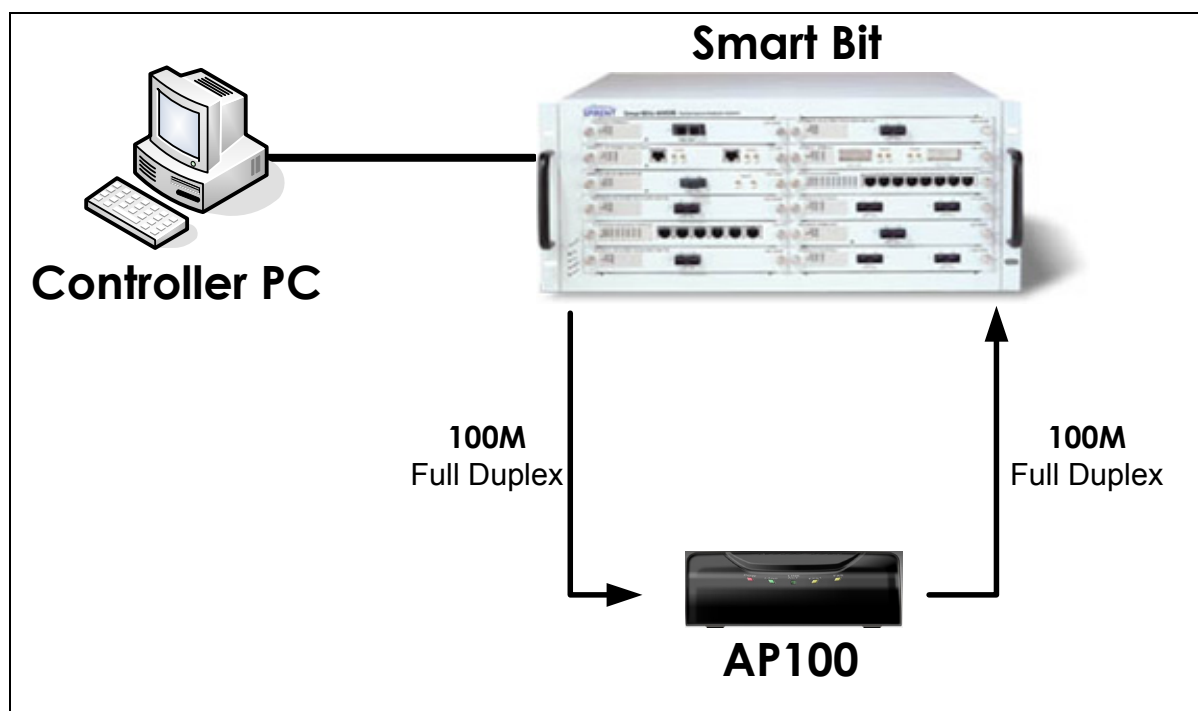
R&D Center

www.addpac.com

Hardware Specification

HW		Specification
Model		AP100 Series
Product Categories		Small VoIP Gateway
Microprocessor		RISC Microprocessor
Memory	System Memory	2MB Flash Memory
	Main Memory	16MB High Speed SDRAM
Voice Interface	FXS Voice Port	1-Port, RJ-11 Connector
Ethernet Interface	Ethernet Port for WAN	1-Port 10/100M Fast Ethernet, RJ-45 Connector
	Ethernet Port for LAN	1-Port 10/100M Fast Ethernet, RJ-45 Connector
Power Supply	AC Power Input	External AC110~220V Power Supply, 5V,2A (Adaptor)
Dimension	W x D x H	77 x 111 x 27.6(mm)

Test Network Diagram

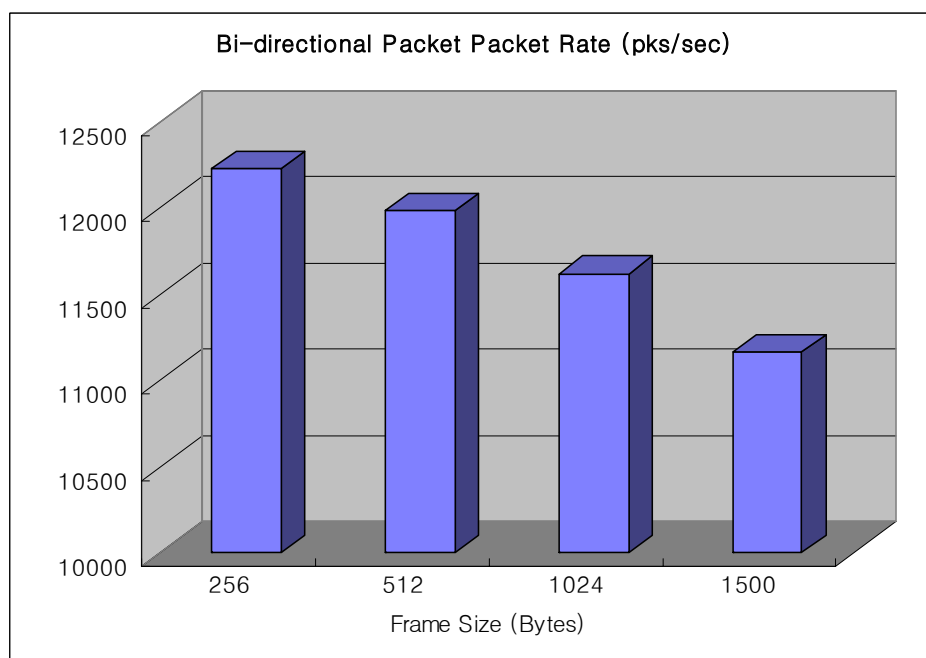
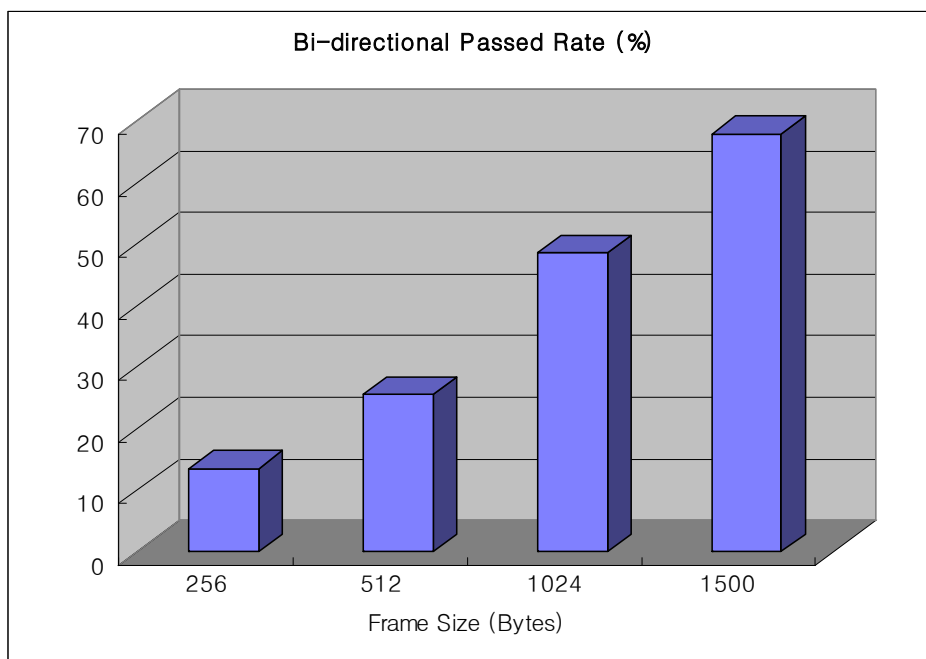


Test Environment

- Test Measuring Equipment: SmartBits 6000
- Test Procedures: Throughput Test with SmartBits Application v3.00
- Throughput Test Length : 60 seconds
- Test Mode : Bi-directional, Uni-directional

Test Result A : Bi-directional

Frame Size (Bytes)	Passed Rate (%)	LAN0 → LAN1 (pks/sec)	LAN1 → LAN0 (pks/sec)	Total (pks/sec)
256	13.50	6115	6115	12230
512	25.50	5992	5992	11984
1024	48.53	5810	5810	11620
1500	67.89	5583	5583	11166



Test Result B : Uni-directional

Frame Size (Bytes)	Passed Rate (%)	LAN0 → LAN1 (pks/sec)	Total (pks/sec)
512	27.64	12519	12519
1024	52.52	12340	12340
1280	97.94	11726	11726
1500	100.00	8224	8224

