



AP100™

1-Port VoIP Gateway

High Performance VoIP Gateway Solution

IP Routing Protocol Features



AddPac

AddPac Technology

Sales and Marketing

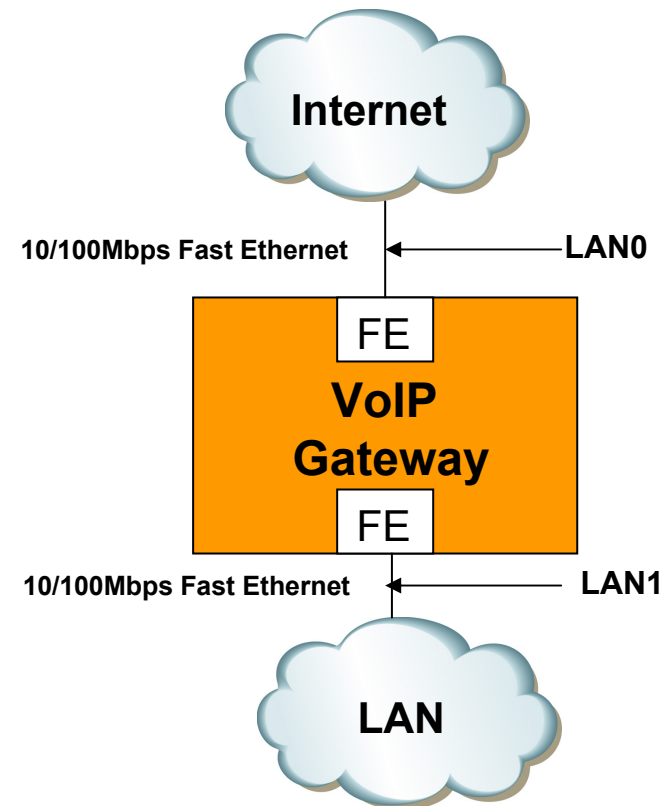
www.addpac.com

Content

- AP100 H/W Specification
- IP Routing Features
- Policy based Routing
- Load Sharing
- IP Flow Cache
- IP Connect

AP100 VoIP Gateway H/W Spec.

- **RISC+DSP (Audio Codec) Microprocessor Computing Power (Dual Processor Architecture)**
- **VoIP Interface**
 - 1-Port FXS Interface
- **Network Interface**
 - Two(2) 10/100Mbps Fast Ethernet
 - One(1) RS-232C Console(RJ45)
- **Power Supply**
 - External Power Adaptor (5V, 2A)
 - Power ON/OFF Switch



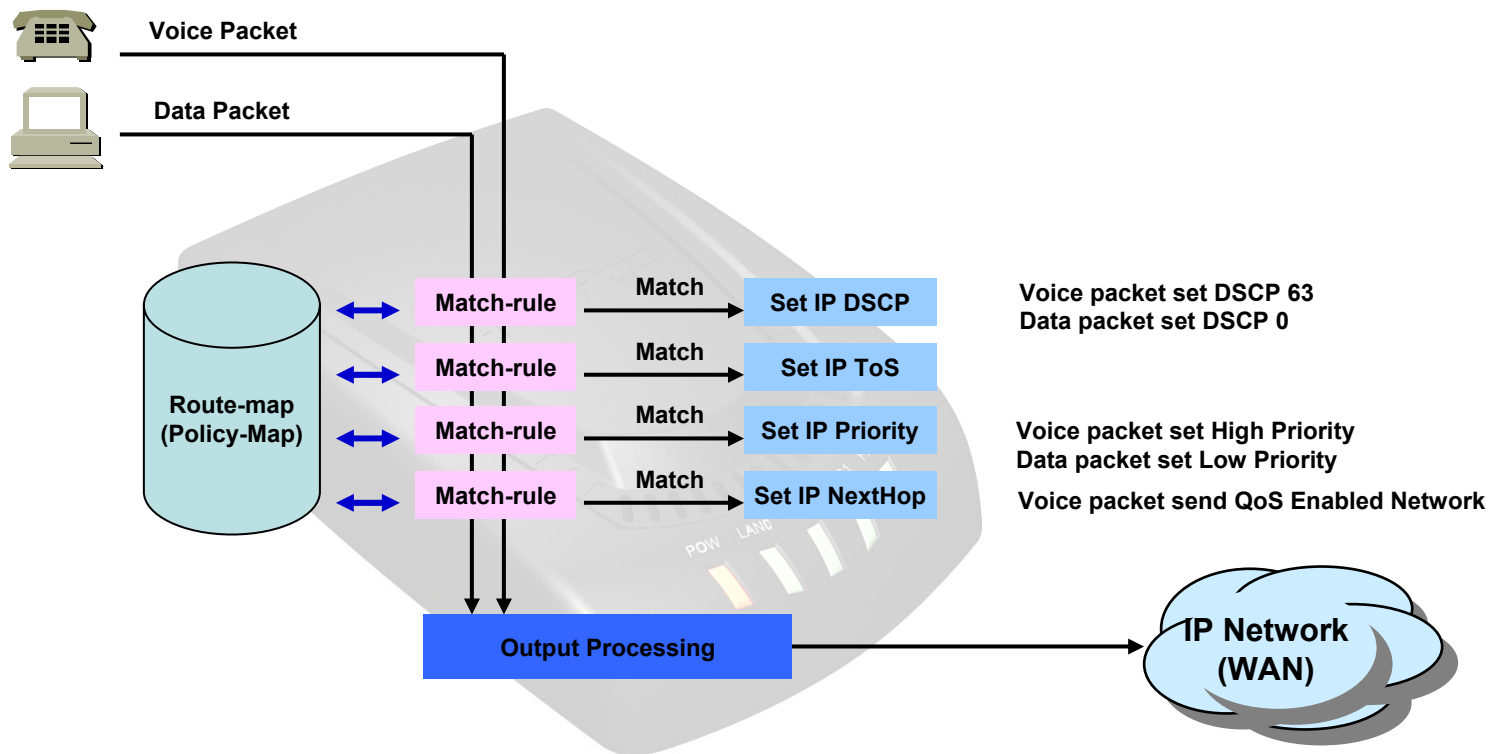
Routing Features

- Static routing (Floating Static)
- Default routing
- Policy based routing
- Transparent routing (IP Stealth)
- Load sharing
 - Per packet
 - Per destination
- Routing Cache
 - IP Flow-Cache
- IP Connect (formerly ip-share)

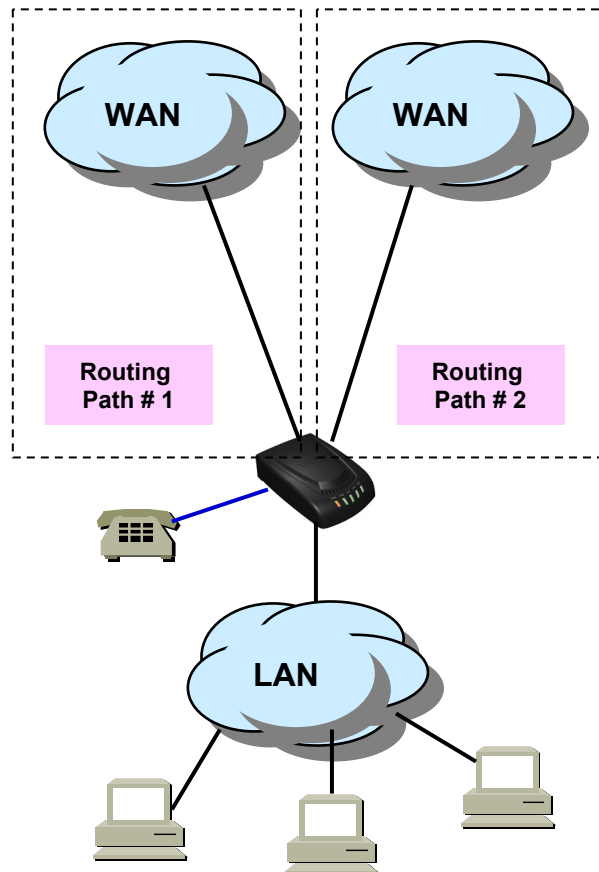
Policy Based Routing

- Set IP Header Parameters
 - IP DSCP (DiffServ CodePoints)
 - IP ToS
 - IP Precedence
- Determine NextHop
 - Source based routing

Policy Based Routing

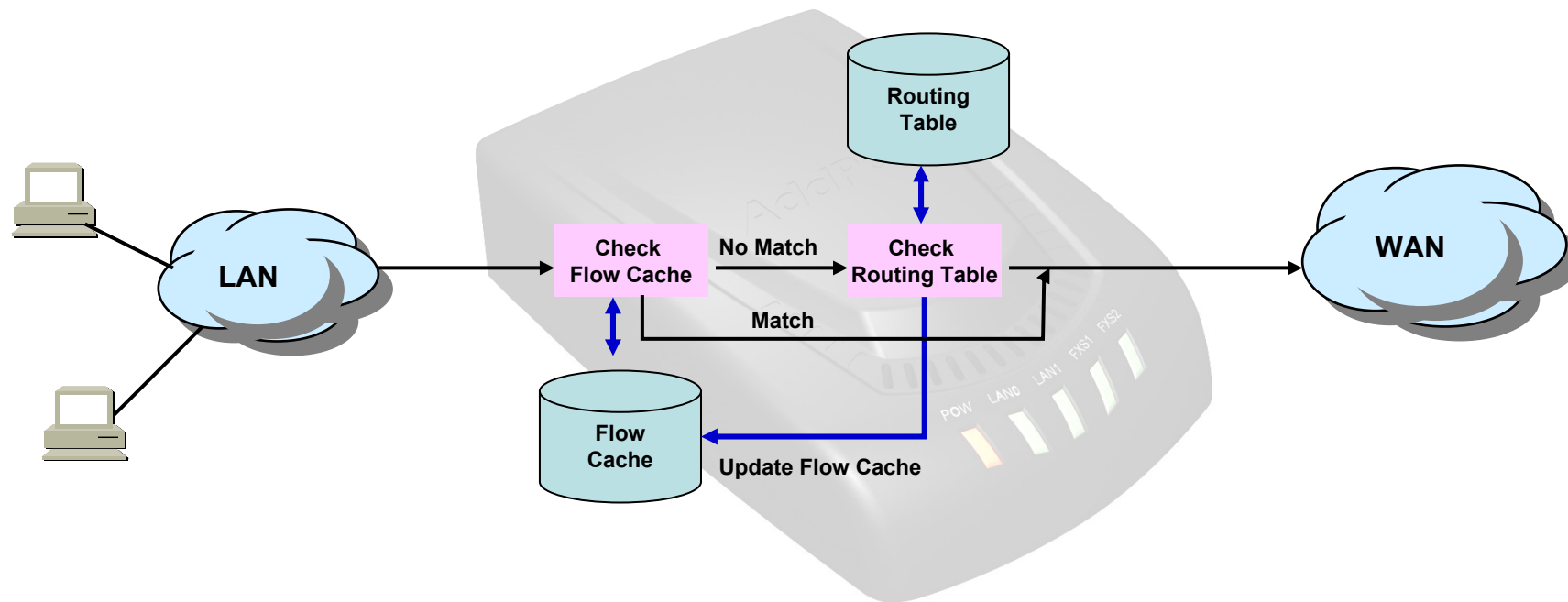


Load Sharing

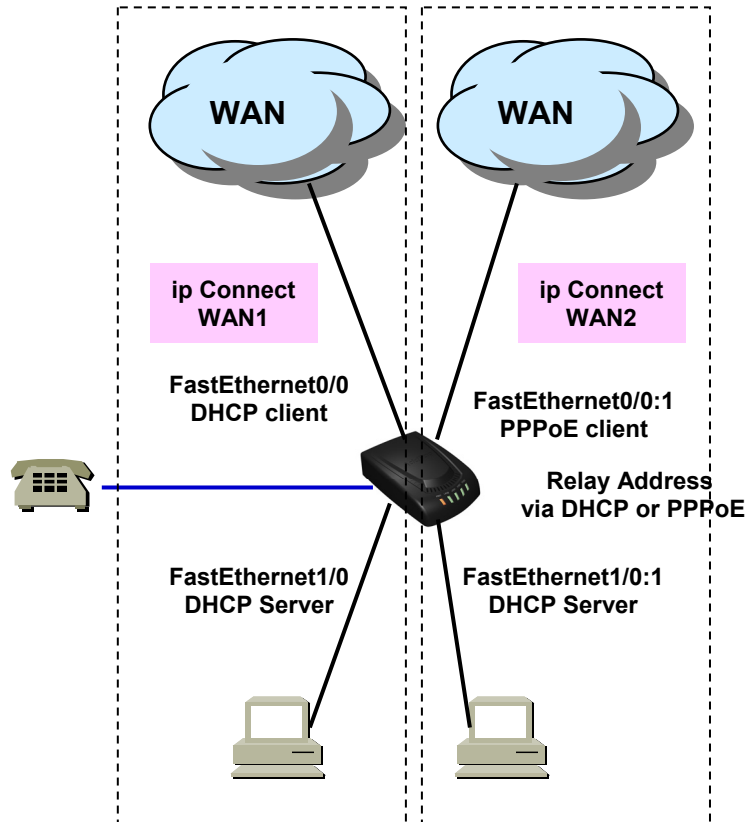


```
!  
interface Loopback0  
ip address 127.0.0.1 255.0.0.0  
!  
interface FastEthernet0/0  
ip address 172.16.39.22 255.255.0.0  
speed auto  
!  
interface FastEthernet0/1  
no ip address  
speed auto  
!  
interface FastEthernet0/0:1  
ip address dhcp  
ip dhcp router distance 1  
!  
ip route 0.0.0.0 0.0.0.0 172.16.1.1  
!  
!  
ip load-sharing per-packet  
ftp server  
!
```

IP Flow Cache



IP Connect



```

!
interface Loopback0
 ip address 127.0.0.1 255.0.0.0
!
interface FastEthernet0/0
 ip address dhcp
 speed auto
!
interface FastEthernet0/1
 no ip address
 speed auto
!
interface FastEthernet0/0:1
 ip address dhcp
!
interface FastEthernet0/1:1
 no ip address
!
!
ip dhcp pool wan1
 network FastEthernet0/1
 range FastEthernet0/0
ip dhcp pool wan2
 network FastEthernet0/1:1
 range FastEthernet0/0:1
!
ip connect wan1 inside FastEthernet0/1 outside FastEthernet0/0
ip connect wan2 inside FastEthernet0/1:1 outside FastEthernet0/0:1
!

```

VoIP Gateway Series

Thank you!

AddPac Technology Co., Ltd.
Sales and Marketing

Phone +82.2.568.3848 (KOREA)

FAX +82.2.568.3847 (KOREA)

E-mail sales@addpac.com