



AP100™

1-Port VoIP Gateway

High Performance VoIP Gateway Solution

Stun Client Features



AddPac

AddPac Technology

Sales and Marketing

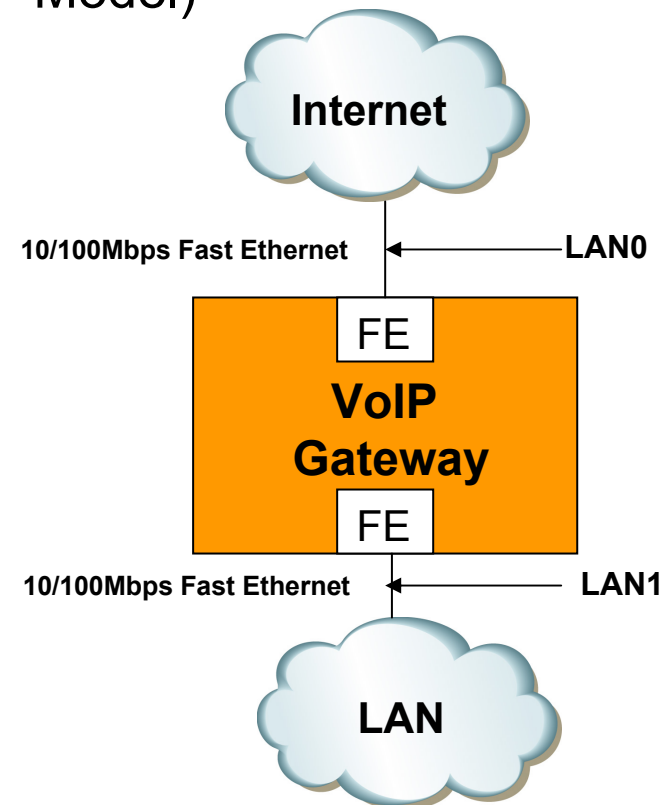
www.addpac.com

Contents

- AP100 H/W Specification
- What is STUN ?
- Network Service Diagram
- APOS Commands for STUN function

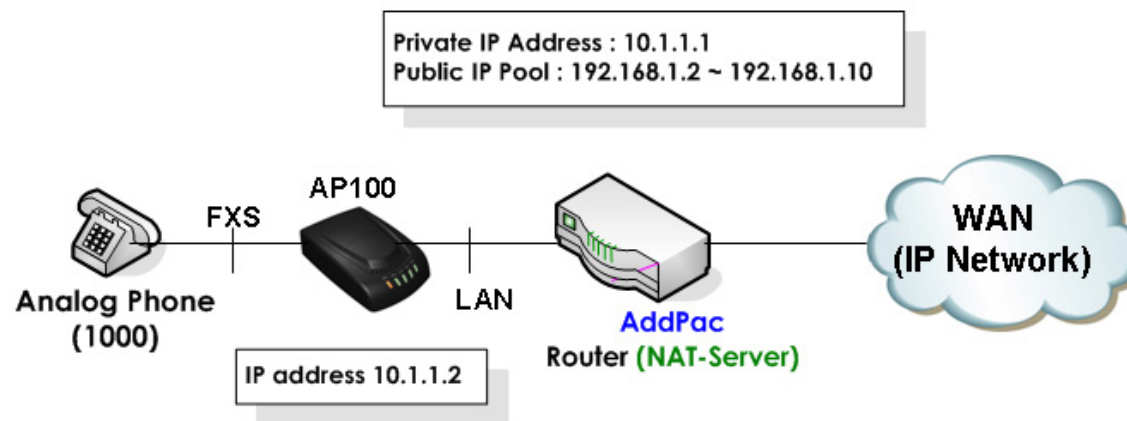
AP100 VoIP Gateway H/W Spec.

- **RISC+DSP (Audio Codec) Microprocessor Computing Power (Dual Processor Architecture)**
- **VoIP Interface**
 - 1-Port FXS Interface
- Optional PSTN Backup Interface (AP100P Model)
- **Network Interface**
 - Two(2) 10/100Mbps Fast Ethernet
 - One(1) RS-232C Console(RJ45)
- **Power Supply**
 - External Power Adaptor (5V, 2A)
 - Power ON/OFF Switch

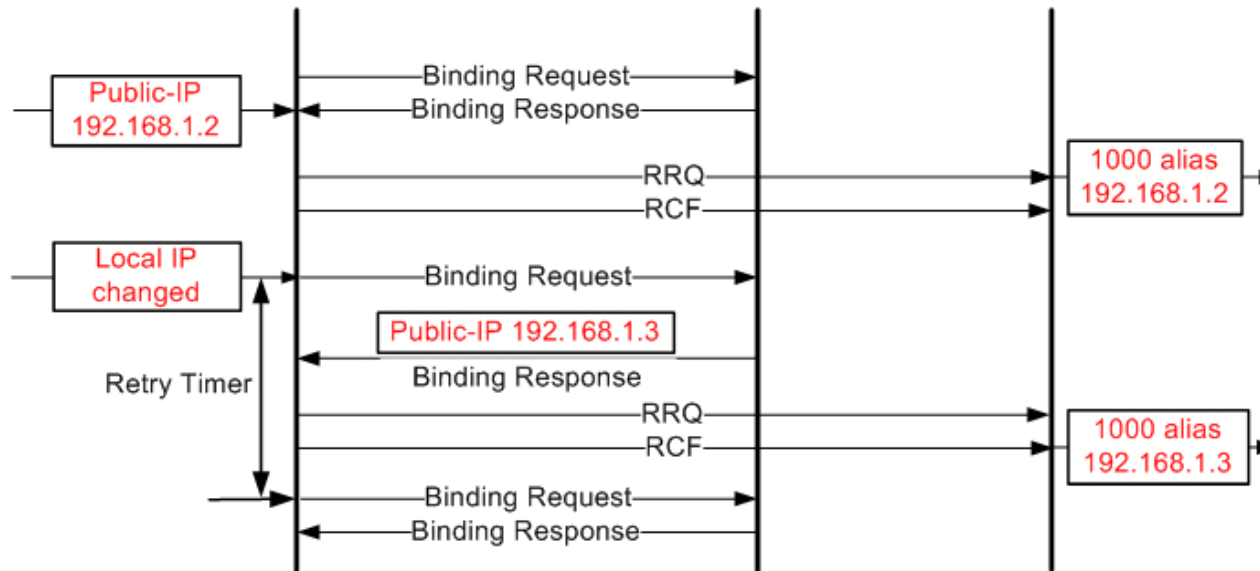
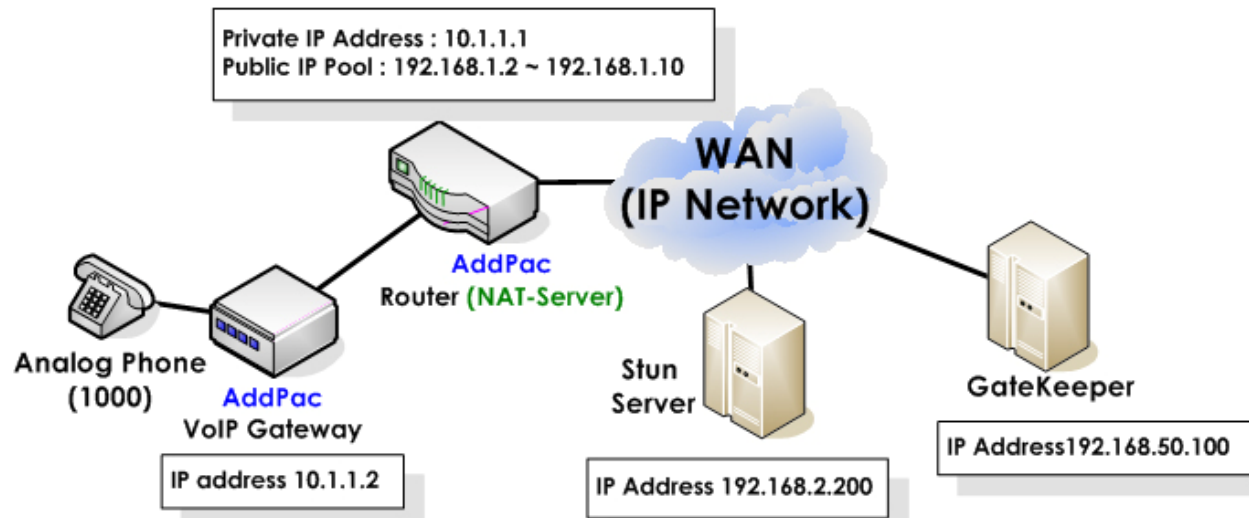


What is STUN ?

- **STUN (Simple Traversal of User Datagram Protocol(UDP) Through Network Address Translators(NATs)) : RFC3849**
- **UDP based Protocol**
- **Protocol for solving the Dynamic Public IP address Problem in Private/Public IP Mapping Environment**



Network Service Diagram



APOS Commands for STUN

STUN Function Enable

Step	Command	Explanation
1	# config	Enter the APOS command Setting Mode
2	(config)# interface eth 0.0	Enter the interface setting mode
3	(config-ether0.0)# ip stun-server 61.33.161.111	IP address setting of stun server
4	(config-ether0.0)# ip stun-server retry-time 10	Periodic stun request message interval setting

STUN Function Disable

Step	Command	Explanation
1	(config-ether0.0)# no ip stun-server	stun function release

VoIP Gateway Series

Thank you!

AddPac Technology Co., Ltd.
Sales and Marketing

Phone +82.2.568.3848 (KOREA)

FAX +82.2.568.3847 (KOREA)

E-mail sales@addpac.com