



## AP6800 256 Channel High Capacity VoIP Gateway

VoiceFinder AP6800 is an advanced high-capacity VoIP gateway for Next Generation Network (NGN), which can be equipped with analog voice interfaces of up to 256 ports. The analog interfaces of AP6800 present an optimal call scenario for inter-working with an analog PBX, and ensure better features and performance compared to the plain old VoIP gateways. New AP6800 VoIP gateway models are not just secondary solutions but main communication solutions combined with IP-PBX; thus, you should choose an optional VoIP gateway to make the most of VoIP communications.

If you use AP6800 at regular enterprises organized into headquarters and branches, government offices, or local governments, AP6800 could function as a media gateway that inter-works with IP-PBX or as a solution that can replace a large-scale analog PBX. If you use AP6800 at a site where analog lines are installed for calls between the headquarters and branches by connecting the extensions of the PBX at the headquarters with a multiplexer (MUX) or a dedicated phone line, the best VoIP communications can be made while the disadvantages of the traditional phone environment are complemented.

AP6800 is an NGN media gateway in terms of hardware architecture, and is designed to provide advanced services. AP6800 supports a high reliability CPU interface for redundancy, and enables hot swap of CPU modules and analog subscriber modules. The front panel of this product has LEDs that allow you to check the status of lines, LAN interfaces, and CPU. Two 10/100/1000 Mbps Gigabit Ethernet ports and the RS232C console interface can provide a variety of network services through Command Line Interface (CLI). The redundant power supply device is modular and can be installed or uninstalled to ensure safety. The device is designed to support either AC input (100~220V) or DC48 selectively.

The performance and reliability of AddPac VoIP gateway series have been recognized in global markets as well as the Korean market. AP6800, which is a collection of experiences and know-how accumulated in the enterprise and service provider markets, provides excellent services that meet the needs of customers that ask for high quality VoIP services. Also, this product provides better VoIP services due to the unique QoS algorithm of AddPac by ensuring Quality of Service (QoS) for SIP, MGCP VoIP call control protocols, and better voice quality.

The CPU board, subscriber analog interface board, and power supply of AP6800 are modular type, and can be installed or uninstalled. This product can adapt to external communication environments such as easy memory expansion through an SODIMM memory slot. AP6800 allows you to flexibly enable new advanced application services such as IPv6.

## Product Highlight

- Powerful RISC Microprocessor Architecture
- Up to 256-Channel High Capacity VoIP Gateway
- Dual Redundancy System Processor Structure for Fault Tolerant System (Option), Active/Standby
- Octal (8) VoIP Module Slot for Analog Interface such as FXS, FXO
- Support Hot-Swap Feature (CPU, Analog Board, Power)
- Two(2) 10/100/1000Mbps Gigabit Ethernet Interface
- RS-232C Console Interface for Cisco Style CLI (RJ45)
- 32-Port FXS, FXO Analog Interface Module
- Long Distance, Noise Immunity, Powerful Ring Voltage for NGN VoIP FXS requirement
- 32 Port VoIP Call Status LEDs per a VoIP Card
- SIP, MGCP Dual Concurrent Redundancy VoIP Signaling Stack Support for Dual System CPU
- H.323, SIP, MGCP Triple Concurrent VoIP Signaling Stack for Single System CPU
- Voice Processing Features
  - VAD, DTMF, CNG, G.168, T.38 G3 Fax Relay
  - G.723, 729A, G.726, G.711, etc Voice Codec
- SNMP MIB V2 Support for Network Management
- Standard & Extended Access List for Security
- Essential Scalability Features such as DHCP Server & Relay, NAT/PAT, IEEE Transparent Bridging, and Debugging/Diagnostics, etc.

## Application Area

- Inter-Office Internet Telephony System
- VoIP Gateway for Enterprises
- Media Gateway of IP-PBX
- Long Distance, High Ring Voltage NGN Media Gateway

## Hardware Specification

- Dual System CPU Board
- High-end RISC Microprocessor
- Memory
  - Boot memory 512Kbyte Flash Memory
  - System memory 8Mbyte Flash Memory
  - Main memory 64Mbyte SDRAM
- Ethernet Interface
  - 10/100/1000Mbps 2-port Giga Ethernet (RJ-45)
- Console Interface
  - RS-232C 1-port Console (RJ-45)
- Analog VoIP Interface
  - FXS 32-port FXS Interface Module
  - FXO 32-port FXO Interface



**32Port FXS Analog Board**



**System Processor Board**

## Power & Operational Environment

- Power Specification VAC 110~220V, 50/60Hz, 220V, 4A (820 Watt)
- Dual Redundancy Power (option)
- Operating Temperature 0°C~+50°C
- Storage Temperature -40°C~+85°C
- Relative Humidity 5%~95%

## Dimension

- Dimension (H x W x D) : 400 x 482 x 340 — 19" Rack Mountable
- Weight : 31 Kg

## IP Routing Protocol

- Static and IEEE802.1Q VLAN Routing

## WAN Protocol

- Broadband IP Network
- PPPoE
- Standard Compliant WAN Network Protocol

## Voice over IP Service

- Dual Redundancy System Processor Structure for Fault Tolerant System (Option), Active/Standby
- SIP, MGCP Dual Concurrent Redundancy VoIP Signaling Stack Support for Dual System CPU
- H.323, SIP, MGCP Triple Concurrent VoIP Signaling Stack for Single System CPU
- VAD, DTMF, CNG, G.168, T.38 FAX Relay
- Voice Codec : G.723, G.729, G.726, G.711, etc
- Various VoIP Features
- Interoperable with Diverse VoIP Gateways
- Interoperable with Diverse VoIP Gatekeeper, SIP Proxy, MGC

## Network Management

- Standard SNMP Agent (MIB v2) Support
- Console, Telnet, Web Based Management
- Remote Download via FTP/TFTP
- Remote Firmware Upgrade using FTP/TFTP

## Traffic QoS Control

- Traffic QoS Control Feature For Services
- Voice, Data Prioritizing Control
- Various QoS Algorithm Support

## Security Feature

- IP Packet Filtering / Access List
- Access Control and Data Protections
- Enable/Disable for Specific Protocols
- Multi-level User Account Management
- Auto-disconnect for Telnet/Console Sessions
- PPP User Authentication Support
- Password Authentication Protocol (PAP)
- Challenge Handshake Authentication Protocol (CHAP)

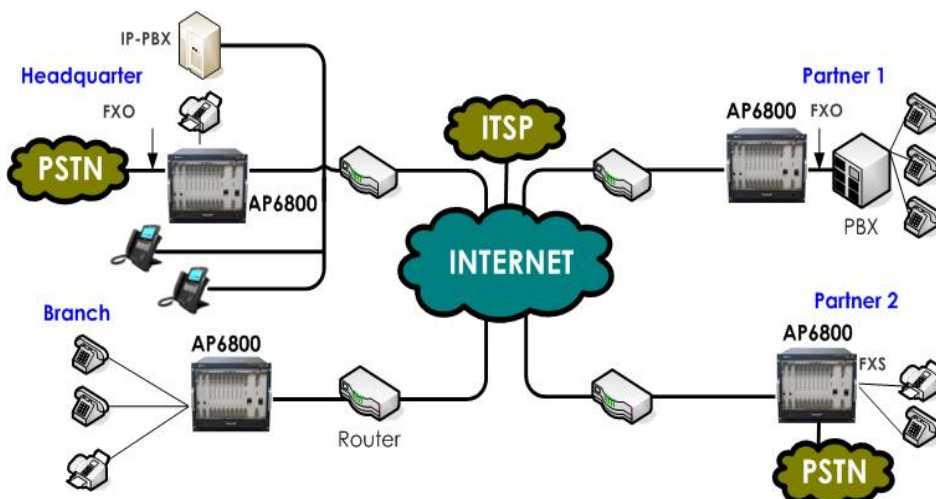
## Operation & Management

- Performance Analyzing (Process, CPU, Interface)
- Configuration Backup and Restore for APOS Management
- Debugging and Diagnosis Features
- System Booting/Rebooting through Watch Dog
- Data Logging Features
- IP Traffic Statistics through Accounting

## Other Features

- DHCP Server and Relay
- Network Address Translation (NAT)
- Port Address Translation (PAT)
- Transparent Bridging (IEEE Standard)
  - Spanning Tree Bridging Protocol
  - Concurrent Routing and Bridging
- NTP (Network Time Protocol)
- Cisco Style Command Line Interface
- Load Balancing
- Standard Compliant Network Protocol

## AP6800 Network Diagram



## Ordering Information

- AP6800-01 : AP6800 Standard Configuration
  - Dual System Processor
  - Dual Power Supply
- AP6800-02 : AP6800 Main Chassis
  - Single System Processor
  - Single Power Supply

- CAB-LAN Ethernet Cable
- CAB-CON RS-232C Console Cable
- MGSA-FXS32 32-Port FXS Module
- MGSA-FXO32 32-Port FXO Module