

32-Port FXS New Module(MGSA-N2) Features



AddPac

AddPac Technology

Sales and Marketing

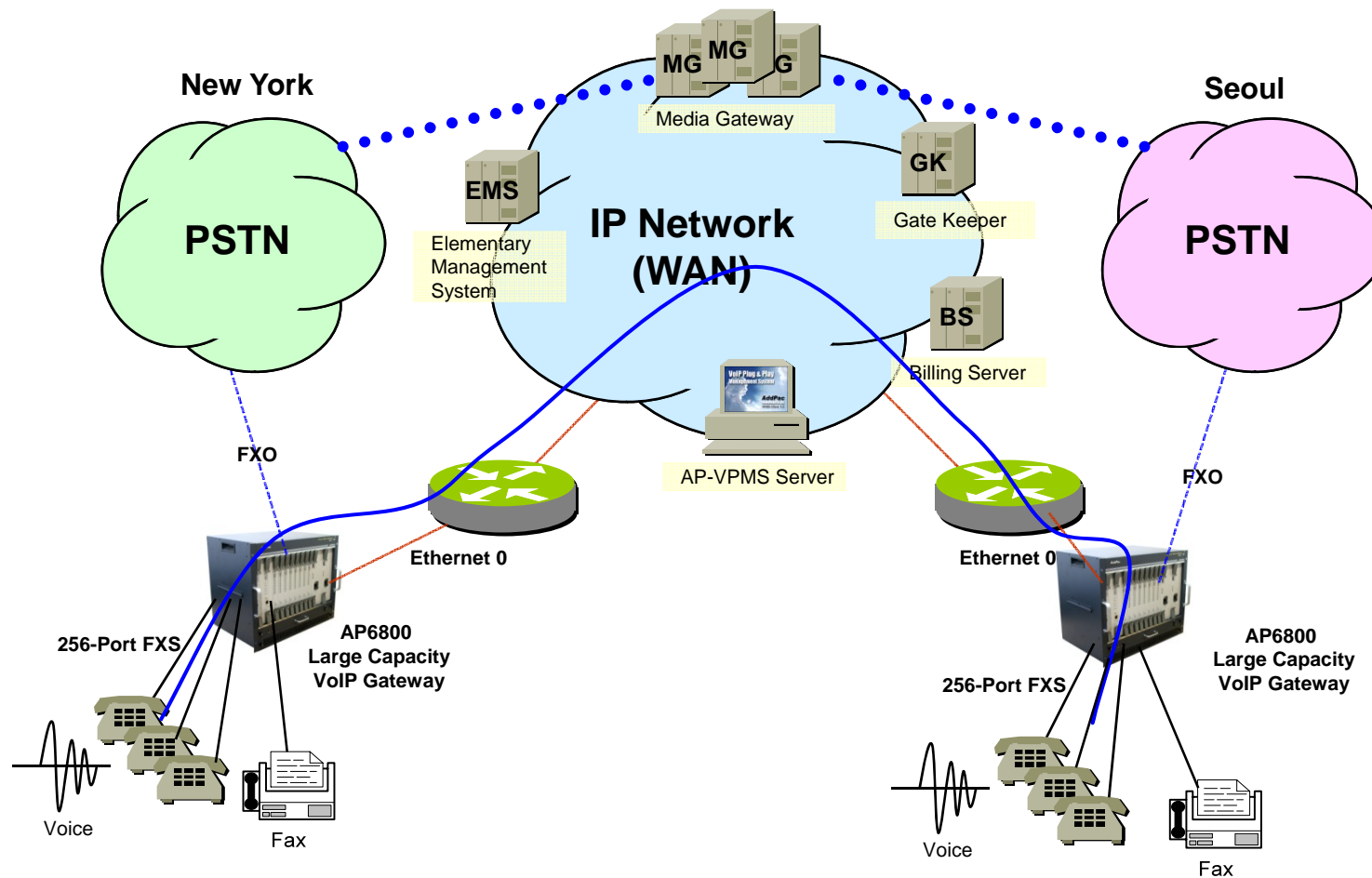
www.addpac.com

Contents



- Network Diagram
- Large Capacity VoIP Gateway Solution
- System Block Diagram
- 32-Port FXS Module Comparison
- MGSA-FXS32 32-Port FXS Module
- MGSA-FXS32-N1 32-Port FXS Module
- **MGSA-FXS32-N2 32-Port FXS Module**



Large Capacity VoIP Gateway Service Diagram

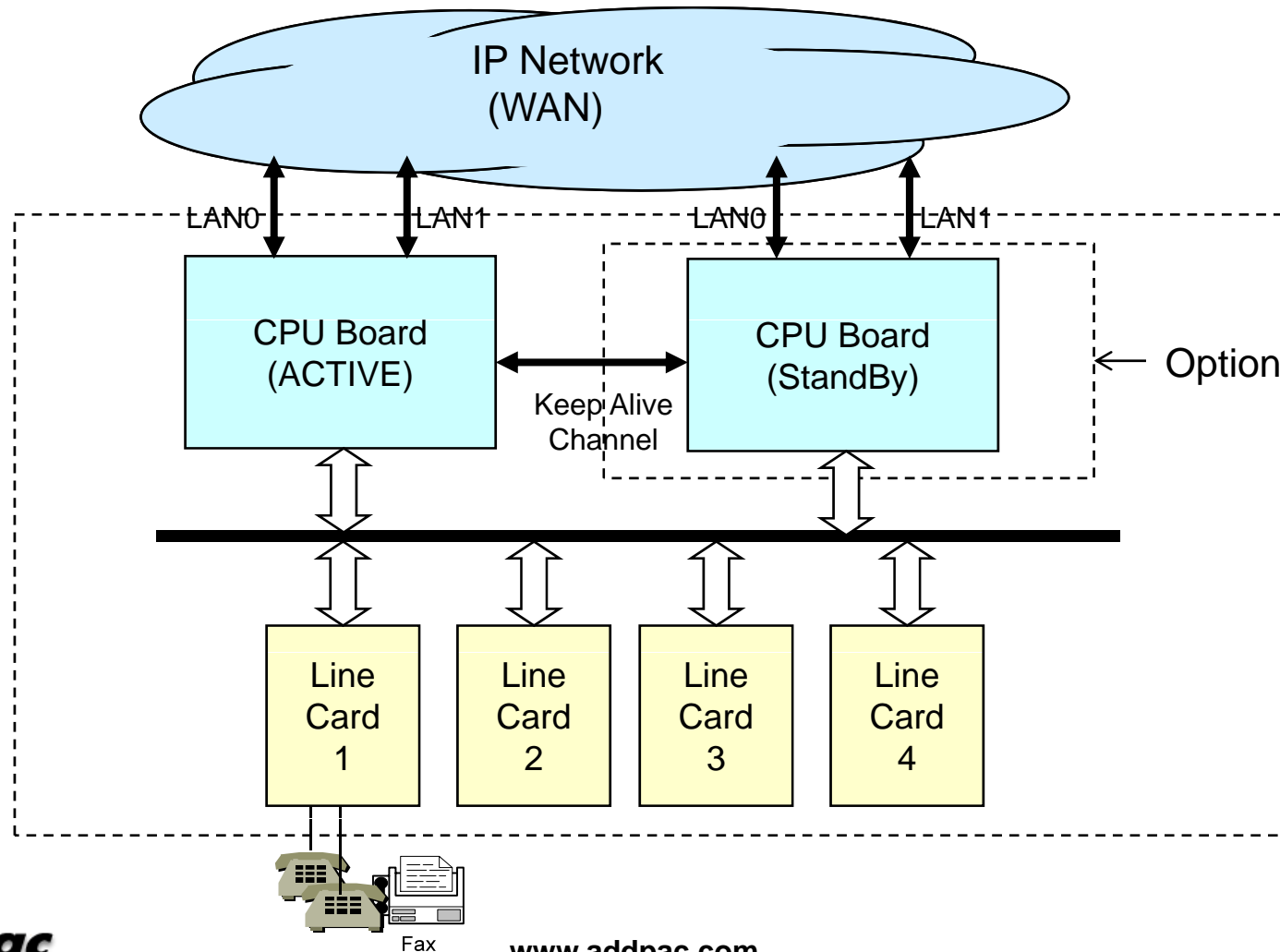


Large Capacity VoIP Gateways

Product	AP6500	AP6800
		
Available VoIP Modules	AP-N1-FXS32 AP-N1-FXO32	AP-N1-FXS32 AP-N1-FXO32
Analog Ports	Up to 128 (32-Port Module x 4)	Up to 256 (32-Port Module x 8)
Signaling	SIP, H.323	SIP, H.323
CPU Redundancy (Dual CPU)	Support (Option)	Support (Option)
E&M	N/A	N/A
Module Slot for VoIP Module	4 Slots	8 Slots
LAN Port	2	2
Console	1	1
Dual Power Supply (Option)	Support	Support

System Block Diagram

AP6500 System Block Diagram (Example)


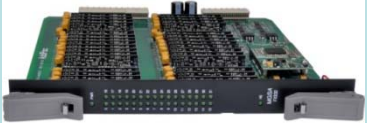





32-Port FXS Modules(MGSA)

MGSA : Media Gateway Subscriber Assembly

MGSA Module Comparison

Product	MGSA-FXS32	MGSA-FXS32-N1	MGSA-FXS32-N2
			
Distance	Long Reachable Distance for Next Generation Network Service	Short & medium Reachable Distance	Short & medium Reachable Distance
Analog Ports	32 Port FXS Module	32 Port FXS Module	32 Port FXS Module
Connector	Champ Connector	Champ Connector	8 x RJ45 Connector
Caller ID	Support	Support	Support
Hot-Swap	Support	Support	Support
DSP based Voice Codec	G.711,G.729,G.723, etc	G.711,G.729,G.723, etc	G.711,G.729,G.723, etc
Ringing Voltage	Programmable : Typical 80Vrms	65Vrms	65Vrms
REN	5	3	3



MGSA-FXS32 Module

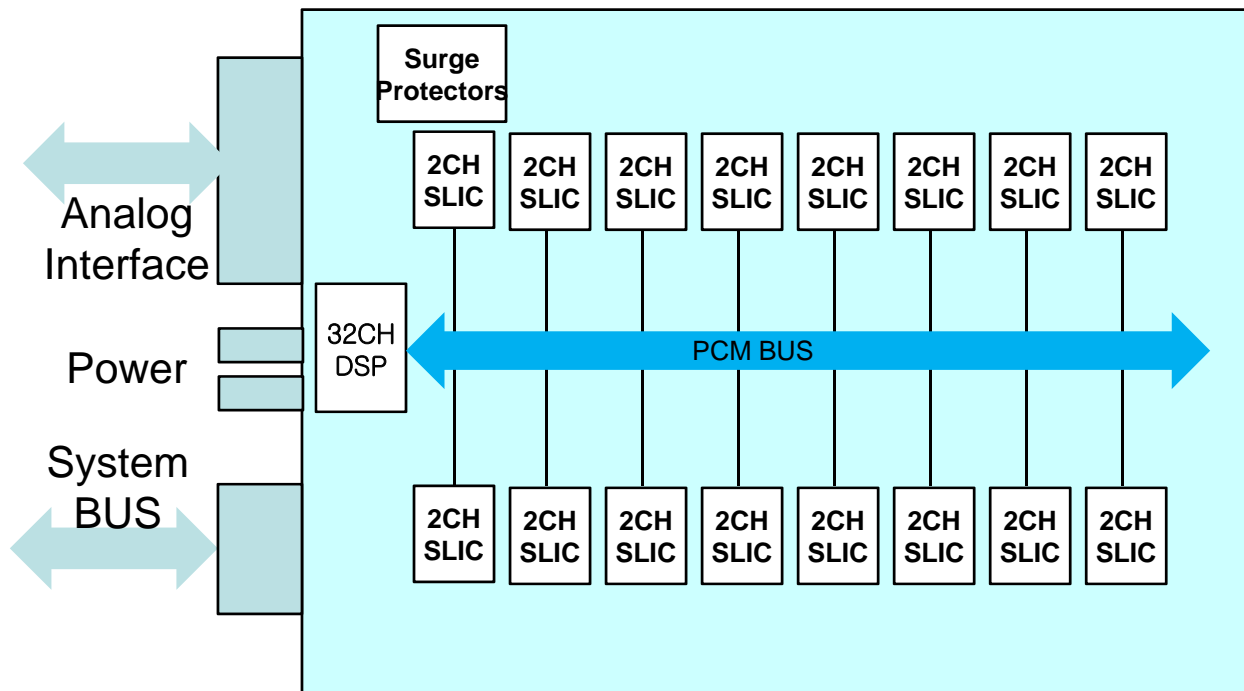
MGSA-FXS32 Module Diagram



MGSA-FXS32 Module Block Diagram

AP5500 Large Scale VoIP Gateway

MGSA : Media Gateway Subscriber Assembly



MGSA-FXS32 Module Service Features

AP5500 Large Scale VoIP Gateway

- Long Reachable Distance for NGN Service
- SLIC Ringing
 - 5REN with pin for pin compatible 150V SLIC Device
 - Up to 140-Vpk Internal balanced sinusoidal or trapezoidal ringing with Programmable offset : Typical 80Vrms
 - Unbalanced ringing for PBX trunk compatibility
- SLIC Programmability
 - Ringing Frequency, Voltage and Current Limit
 - Two-wire AC impedance, Balance Impedance, Gain
 - DC feed Voltage and Current Limit
 - Unbalanced ringing for PBX trunk compatibility
- Powerful Surge Protection (more than 1.5Kv)
- Universal Caller ID
- DSP based G.711, G.729, G.723.1, etc High Quality Voice Codec
- Voice QoS (Delay, Jitter, etc) Support for end-to-end Voice Quality



MGSA-FXS32-N1 Module

MGSA-FXS32-N1 Module Diagram

AP5500 Large Scale VoIP Gateway

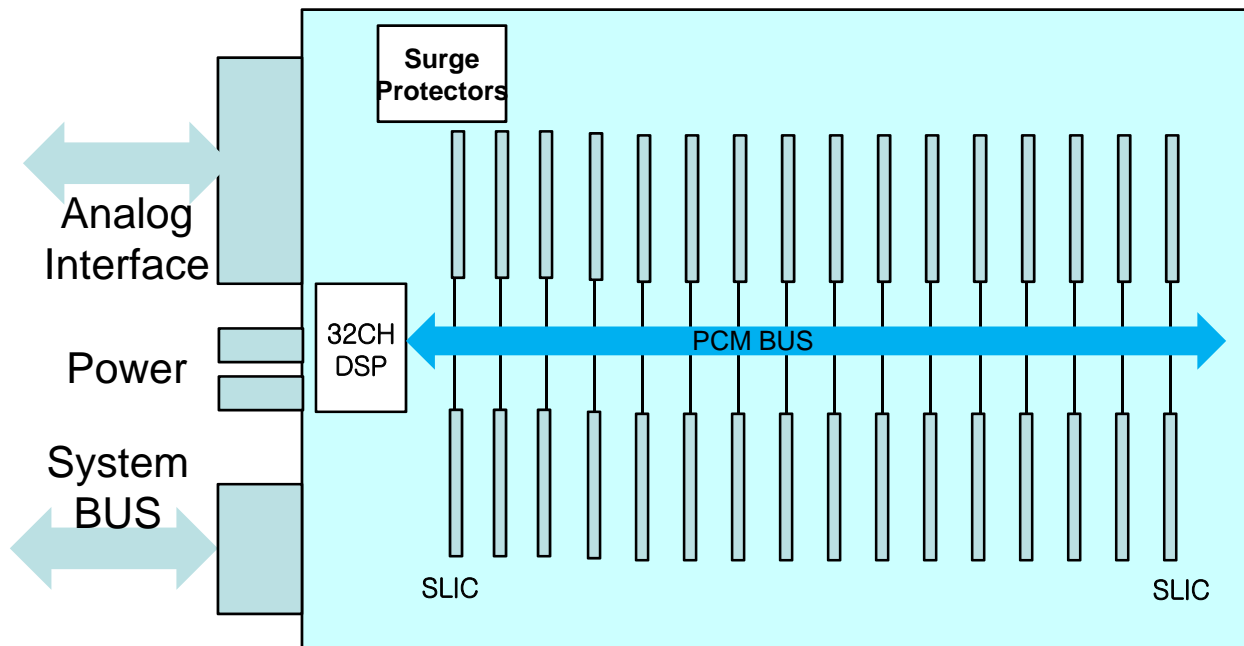
MGSA : Media Gateway Subscriber Assembly



MGSA-FXS32-N1 Module Block Diagram

AP5500 Large Scale VoIP Gateway

MGSA : Media Gateway Subscriber Assembly



MGSA-FXS32-N1 Module Service Features

AP5500 Large Scale VoIP Gateway

- Loop Length : Typically 3.0Km (800 ohm including telephone)
- Tip/Ring Polarity Reversal. On-Hook Transmission for Caller ID
- Ringing
 - 65Vrms is applied to a single handset
 - Greater than 40Vrms into a REN of 3
- Powerful Surge Protection (more than 1.5Kv)
- DSP based G.711, G.729, G.723.1, etc High Quality Voice Codec
- Voice QoS (Delay, Jitter, etc) Support for end-to-end Voice Quality



MGSA-FXS32-N2 Module

MGSA-FXS32-N2 Module Diagram

MGSA : Media Gateway Subscriber Assembly

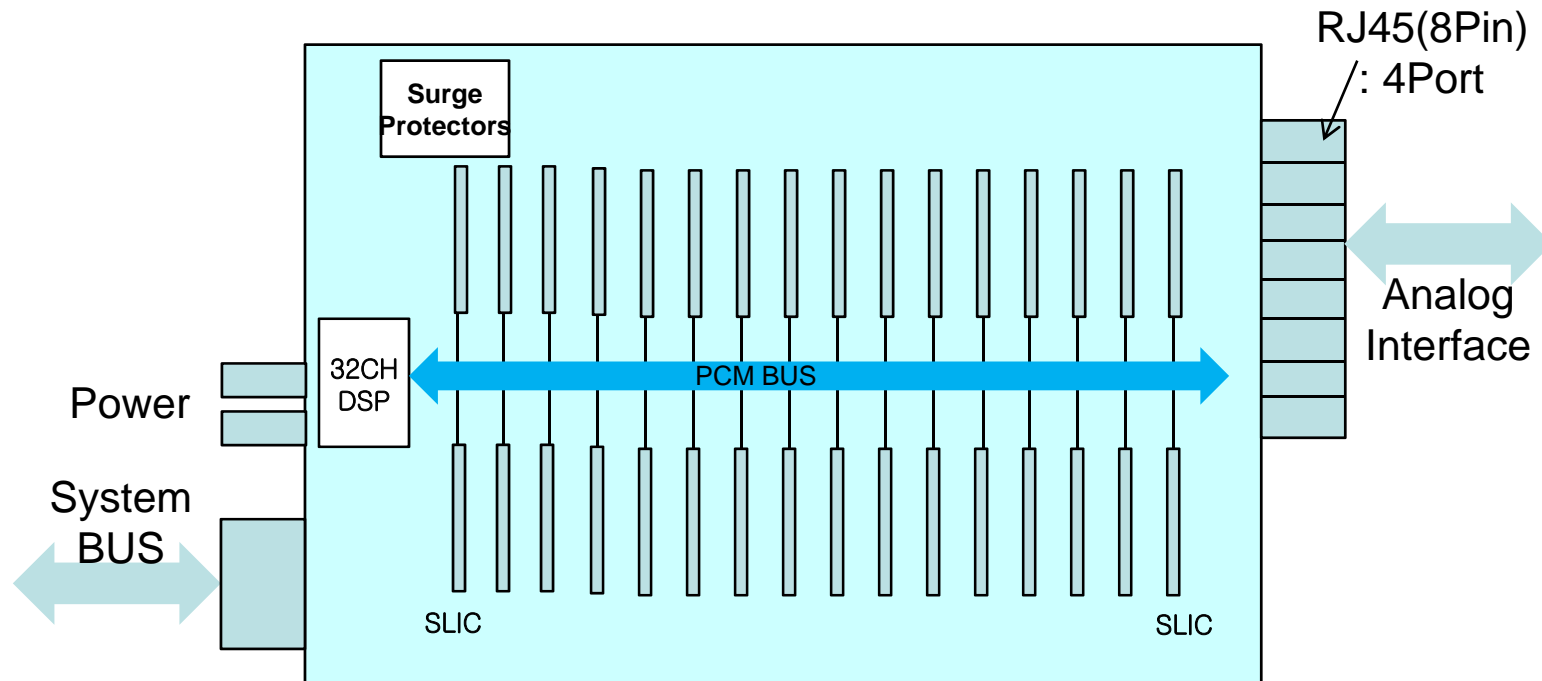


RJ45(8Pin) 1-Port :4ch

32ch = 4ch x 8Port

MGSA-FXS32-N2 Module Block Diagram

MGSA : Media Gateway Subscriber Assembly



MGSA-FXS32-N2 Module Service Features

- Loop Length : Typically 3.0Km (800 ohm including telephone)
- Tip/Ring Polarity Reversal. On-Hook Transmission for Caller ID
- Ringing
 - 65Vrms is applied to a single handset
 - Greater than 40Vrms into a REN of 3
- Powerful Surge Protection (more than 1.5Kv)
- DSP based G.711, G.729, G.723.1, etc High Quality Voice Codec
- Voice QoS (Delay, Jitter, etc) Support for end-to-end Voice Quality

VoIP Gateway Series

Thank you!

AddPac Technology Co., Ltd.
Sales and Marketing

Phone +82.2.568.3848 (KOREA)

FAX +82.2.568.3847 (KOREA)

E-mail sales@addpac.com