

AP-PSU24

24 Port Remote Power Supply Unit

High Performance Remote Power Supply Unit for Hybrid SIP Call Box

Product Overview



AddPac

AddPac Technology

Sales and Marketing

www.addpac.com

Contents

- Product Overview
- Hardware Specification
- Network Diagram
- Ordering Information

Product Overview

AP-PSU24 24 Port Remote Power Supply Unit

- PoE based 24 Port Remote Power Supply Unit
- Analog Line + Power over Ethernet Hybrid Solution
- IP based Remote Device Power ON/OFF Control
- Remote Power Control Port (-48V)
 - 24 Port Analog Line Input (RJ45)
 - 24 Port Power Embedded Analog Line Output (RJ45)
- Network Interface
 - Two(2) 10/100Mbps Fast Ethernet Interface
 - One(1) RS232C Interface
- Firmware Upgradeable Architecture(FTP, TFTP)
- Smart Web Manager Support
- Internal Power Supply

Hardware Specification

AP-PSU24 24 Port Remote Power Supply Unit

A square logo with a dark blue background and a light blue border. The text "RISC" is positioned above "CPU" in white, sans-serif font.

RISC
CPU

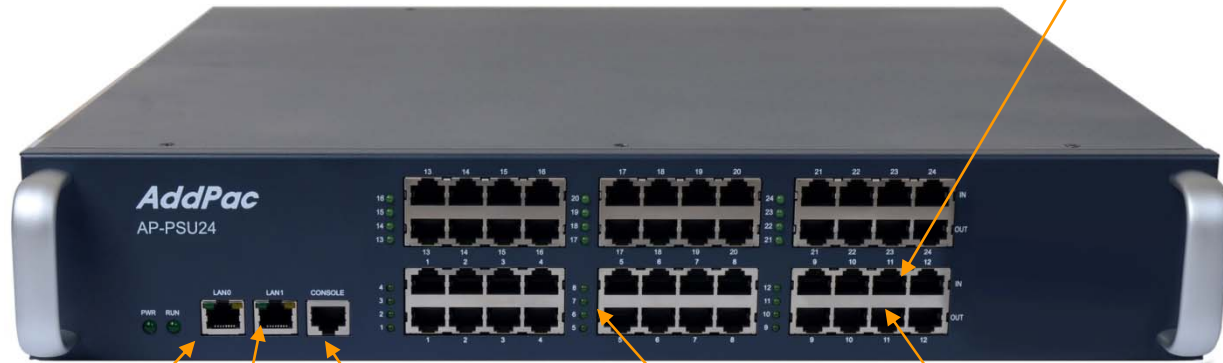
- RISC Microprocessor Computing Power
- Status LED Support
- Remote Analog Line Power Supply (-48V)
 - 24 Port Analog Line Input (RJ45)
 - 24 Port Power Embedded Analog Line Output (RJ45)
- Network Interface
 - Two(2) 10/100Mbps Fast Ethernet (RJ45)
 - One(1) RS-232C Interface (RJ45)
- Internal Power Supply

Hardware Specification

AP-PSU24 24 Port Remote Power Supply Unit



Front Side



24 Port Analog Line Input (RJ45)

Power Indication LED

LAN0 Interface (RJ45)

LAN1 Interface (RJ45)

RS232 Interface (RJ45)

24 Port Power Embedded Analog Line Output (RJ45)

Hardware Specification

AP-PSU24 24 Port Remote Power Supply Unit

RISC
CPU

Rear Side



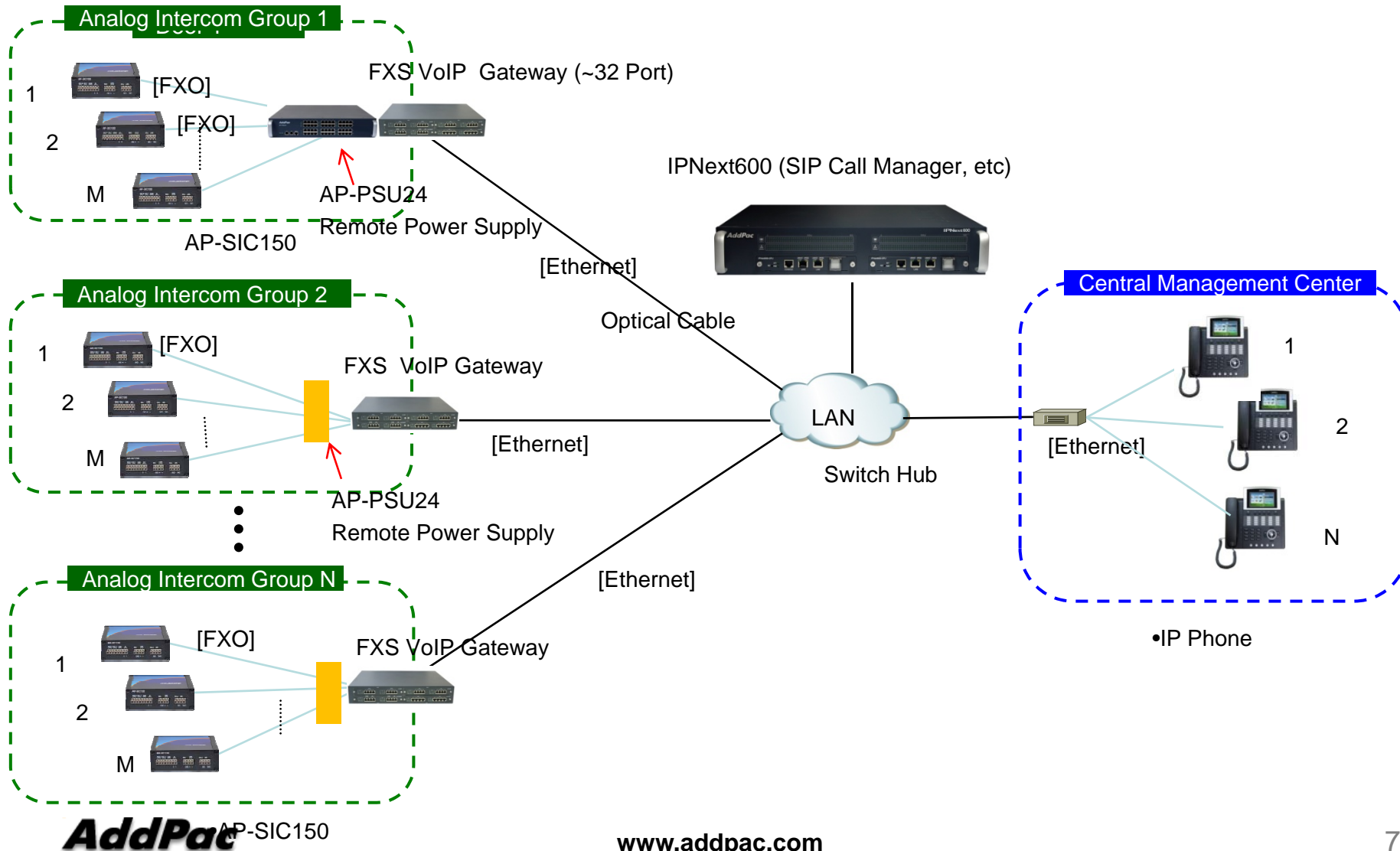
Power Input #0

AddPac

www.addpac.com

6

Network Diagram



Ordering Information

- **AP-PSU24 24 Port Remote Power Supply Unit**
 - AP-PSU24 Main Body
 - RISC Microprocessor
 - 24 Port Analog Input(RJ45), 24 Port Analog Output with Power Line (RJ45)
 - Two(2) 10/100Mbps Fast Ethernet, RS232C Console Port
 - Internal Power Supply
 - Including Network Cable Set & Power Supply Cable, etc.
- **Built-in APOS Internetworking Software for AP-PSU24**
- **Including 1 Year Hardware Warranty**
- **Product Documents**
 - Install and Operation Guide (PDF)
- **Pricing**
 - AddPac Technology Regional Sales Manager
 - Authorized Sales and Marketing Representatives
 - Please Contact www.addpac.com



Thank you!

AddPac Technology Co., Ltd.
Sales and Marketing

Phone +82.2.568.3848 (KOREA)

FAX +82.2.568.3847 (KOREA)

E-mail sales@addpac.com