



APOSd™

Audio/Video DSP Codec Solution

APOSd : AddPac Operating System for DSP



AddPac

AddPac Technology

Sales and Marketing

www.addpac.com

Contents

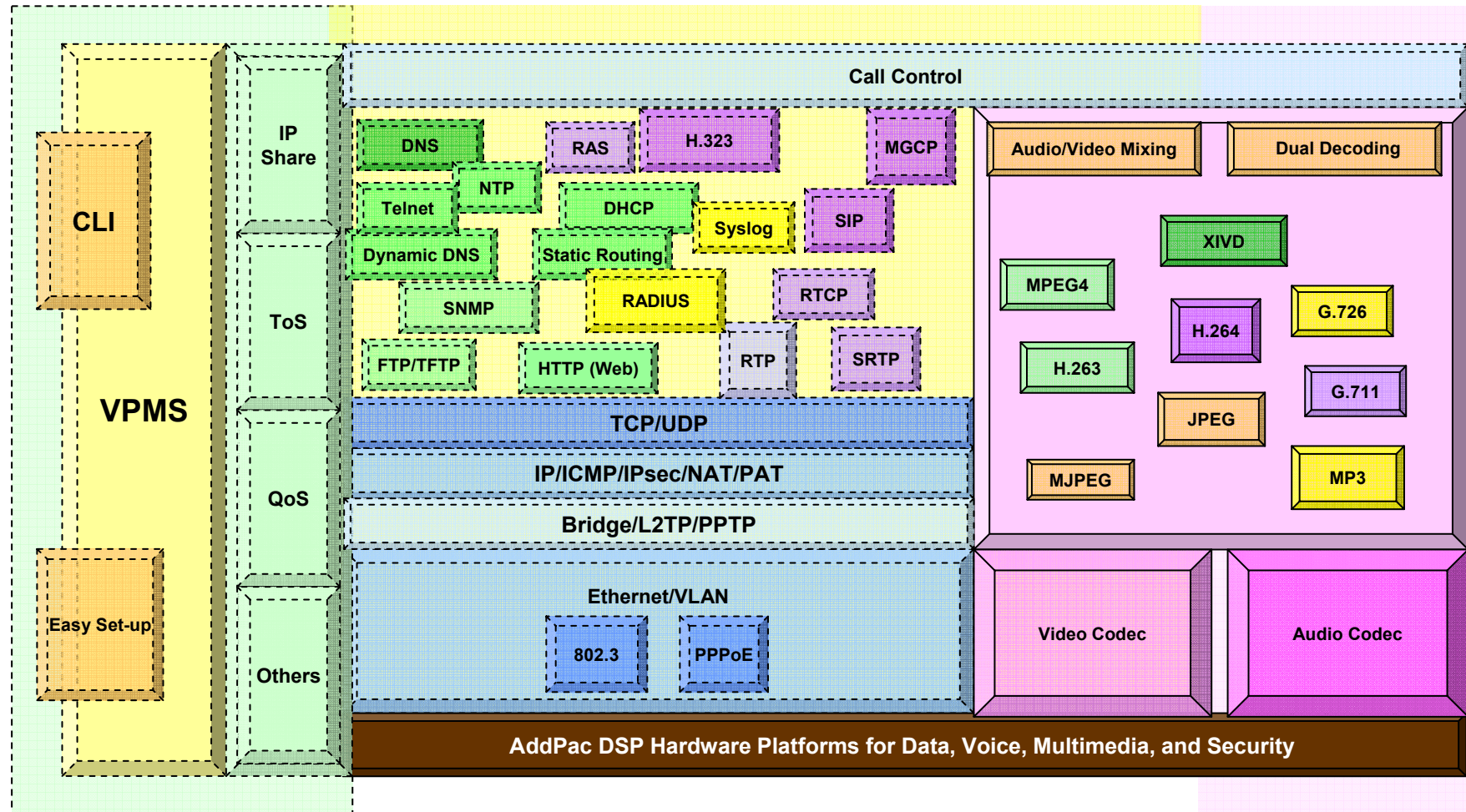
APOSd Solution

AddPac

- **APOSd Overview**
- **APOSd Software Service**
- **Video Codec Features & Service**
 - H.263, MPEG-4, H.264, JPEG, MJPEG etc
- **Audio & Voice Codec Features and Service**
 - MP3, G.711, G.726, etc
- **AV Mixing Features for MCU Application**
 - Simplified AV Mixing Model
 - Advanced AV Mixing Model
- **Dual Video Decoder, Single Encoder Service**
- **Single Source, Dual Video Encoding Feature & Service**
- **Network Service and Features**
- **OSD Software Features**

APOSd Overview

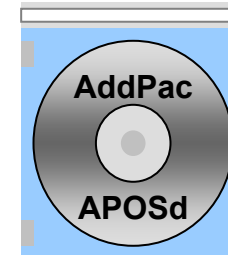
AddPac



APOSd Software Service

AddPac

- **Built-in AddPac APOSd Internetworking Software**
 - Scalability, Functionality, and Stability Features
 - Video Traffic QoS Control
- **Programmable Video, Audio, and Voice Services**
 - Video Codes, Audio, and Voice Codec
- **Firmware Upgradeable DSP Architecture**
- **OSD (On-screen Display) Function Support**
- **Industry Standard IP based Network Protocol Features**



Video Codec Features & Service

AddPac

H.263 Video Codec

- **Baseline H.263**
- **Half Pixel Motion Estimation**
- **Variable Size Support**
 - QCIF(176x144), CIF(352x288), QVGA(320x240)
- **Advanced Rate Control**
 - 32kbps ~ 4Mbps , 1frame ~ 30frame
 - VBR / CBR / Hybrid CBR
- **User Control Interface**
 - Frame rate, Picture size, Target rate, Intra refresh interval
- **Motion Detection**
- **Multi Channel Encoding**
- **Multi Channel Decoding**
- **High-end Error Resilient Against Various Packet Error**

Video Codec Features & Service

AddPac

MPEG-4 Video Codec

- **Simple Profile MPEG4**
- **AC/DC Prediction**
- **Half Pixel Motion Estimation**
- **Variable Size Support**
 - QCIF(176x144), CIF(352x288), QVGA(320x240), and VGA(640x480), HVGA(640x240)
- **Advanced Rate Control**
 - 32kbps ~ 4Mbps , 1frame ~ 30frame
 - VBR / CBR / Hybrid CBR
- **User Control Interface**
 - Frame rate, Picture size, Target rate, Intra refresh interval
- **Motion Detection**
- **Multi Channel Encoding**
- **Multi Channel Decoding**
- **High-end Error Resilient Against Various Packet Error**

Video Codec Features & Service

AddPac

H.264 Video Codec

- **Baseline Profile**
- **All 9-Direction Intra-Prediction Modes with 4x4 Block Size**
- **Integer Pel Motion Estimation with 16x16 Block Size**
- **CAVLC (Context-Adaptive Variable Length Coding)**
- **In-Loop Deblock Filter**
- **Variable Size Support**
 - QCIF(176x144), CIF(352x288), QVGA(320x240) : Encoder/Decoder
 - VGA(640x480), HVGA(640x240) : Decoder Only
- **Advanced Rate Control**
 - 32kbps ~ 4Mbps , 1frame ~ 30frame
 - VBR / CBR / Hybrid CBR
- **User Control Interface**
 - Frame rate, Picture size, Target rate, Intra refresh interval
- **High-end Error Resilient Against Various Packet**

Video Codec Features & Service

AddPac

JPEG/M-JPEG Video Codec

- **Variable Size Support**

Audio & Voice Service and Features

AddPac

MP3 Audio Codec

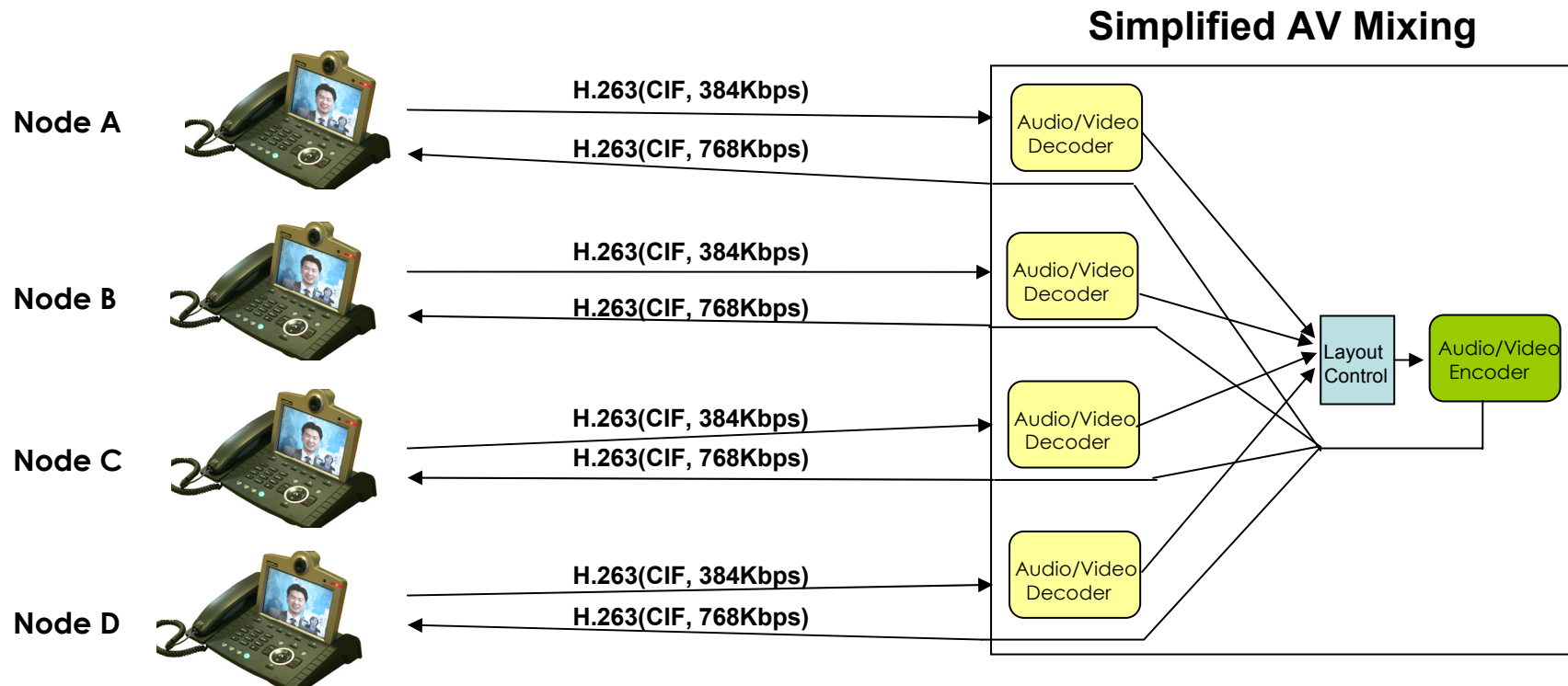
- **MPEG1 / MPEG2 layer-3(LSF) encoding support**
- **MPEG1 / MPEG2 layer-2, 3 decoding support**
- **Bit rates support**
 - 32kbps ~ 192kbps
 - CBR
- **Sampling rates support**
 - 16kHz, 22.05kHz, 24kHz (for MPEG2 Isf)
 - 32kHz, 44.1kHz, 48kHz
- **Joint-stereo, stereo, mono Channel mode**
- **Apply Psycho-acoustic model II**

AV Mixing Feature for MCU App.

AddPac

Simplified Audio/Video Mixing Model

- **Single Codec : H.263 or MPEG4**
- **Single Rate Control**
- **Asymmetric Rate Control between Encoder & Decoder**
- **Same Conference Layout for All Party**

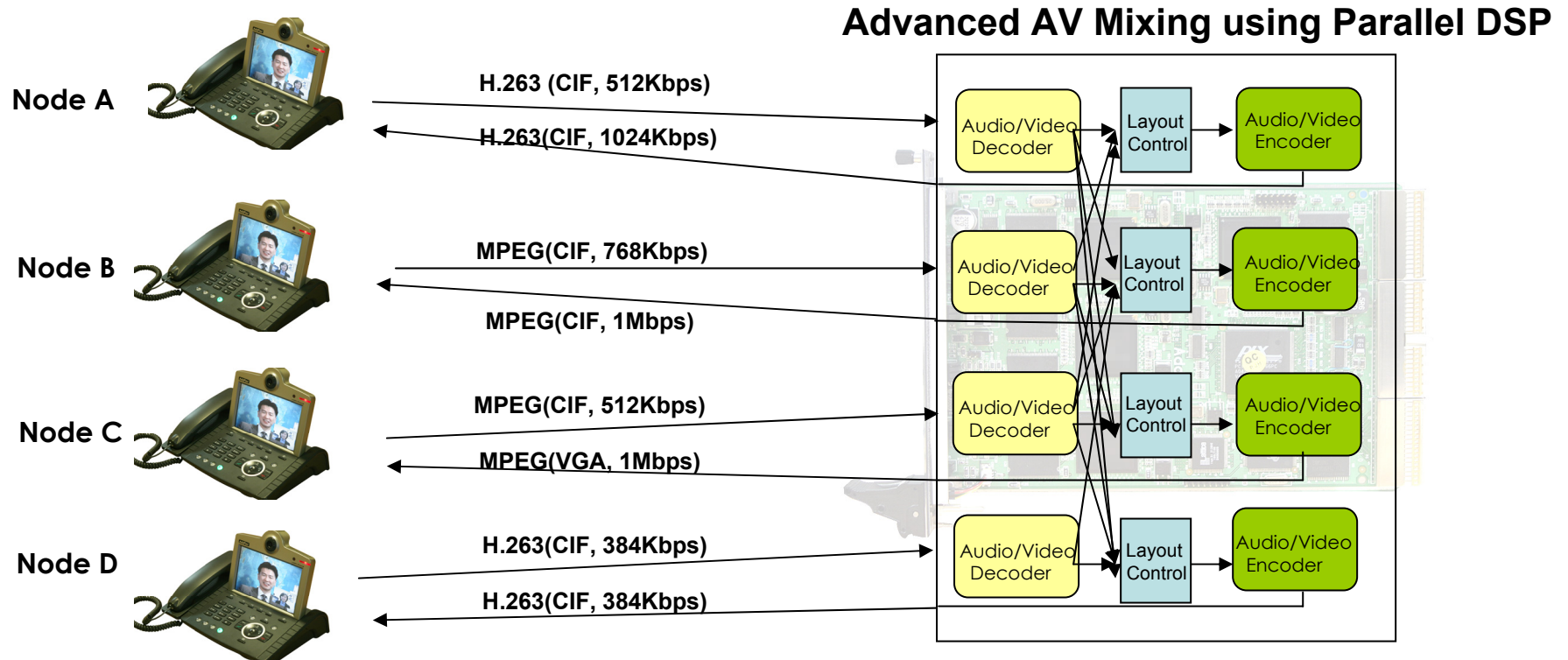


AV Mixing Feature for MCU App.

AddPac

Advanced Audio/Video Mixing Model

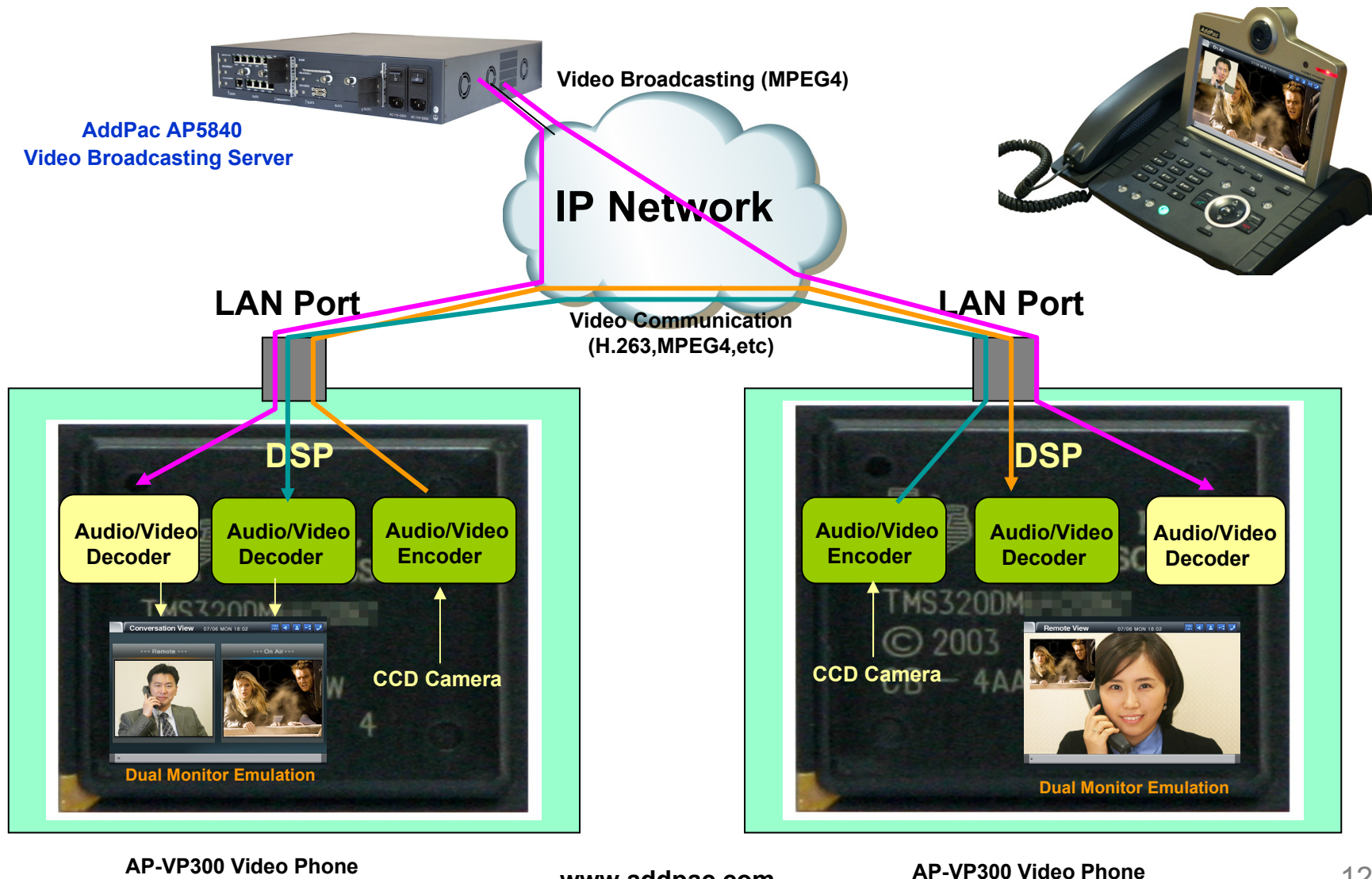
- Multiple Codec : H.263 and MPEG4
- Independent Rate Control
- Asymmetric Rate Control Between Encoder & Decoder
- Independent Conference Layout Control



Dual Decoder & Single Encoder

AddPac

Video Broadcasting + Communication Service Model



Dual Decoder & Single Encoder

AddPac

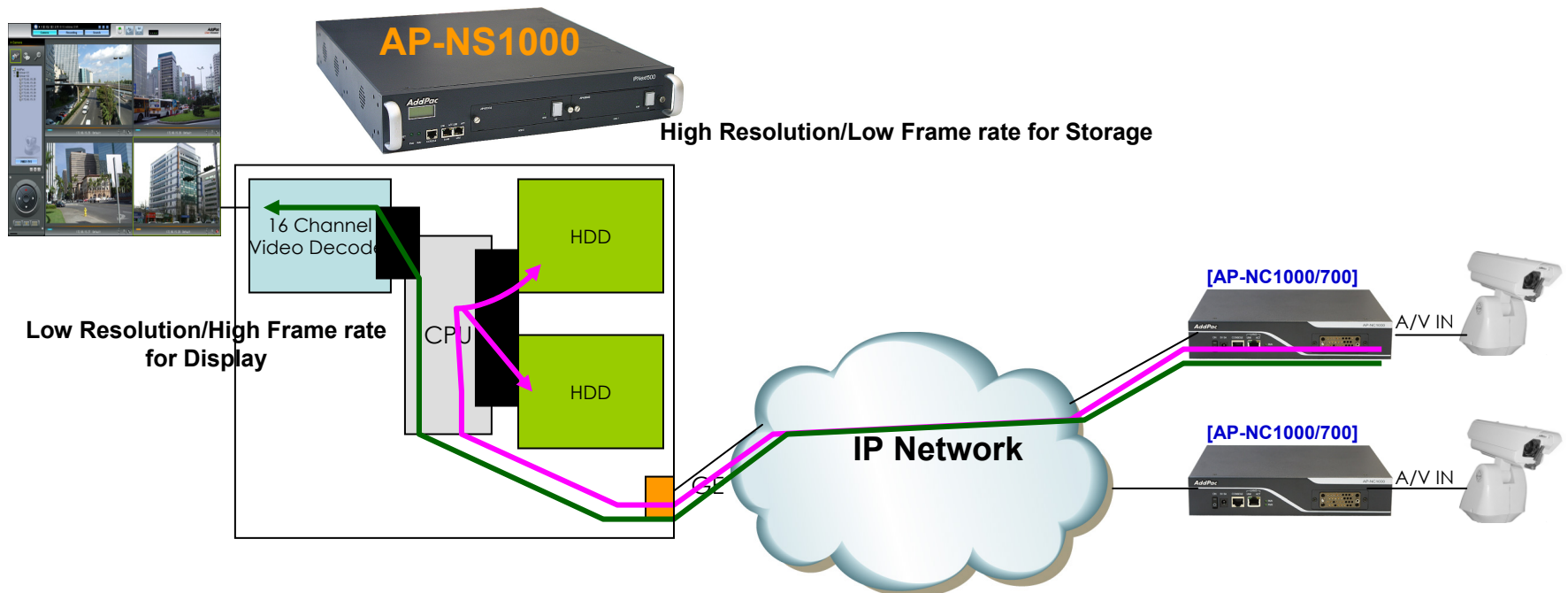
Video Broadcasting + Communication Service Model

- **Video Codec for AV Broadcasting :**
 - MPEG4
- **Audio Codec for AV Broadcasting :**
 - MP3, G.711, G.726, etc
- **Video Codecs for Visual Communication :**
 - H.263, MPEG4, H.264

Dual Encoding Feature & Service **AddPac**

Network Camera Service

- **Dual Video Encoding for Network Camera**
 - High Quality, Low Frame Rate for Storage (Ex : VGA, 10Frame)
 - Low Quality, High Frame Rate for Real time Display (Ex: CIF, 30 Frame)
- Video Codec : MPEG4
- Service Architecture



Network Service and Features

AddPac

- **Network Managements**
 - Standard SNMP Agent (MIB v2) Support
 - Remote Management using Console, Telnet
 - Web based Management using HTTP Server Interface
- **Security Functions**
 - Standard & Extended IP Access List
 - Enable/Disable for Specific Network Protocols
 - Multi-level User Account Management
 - Auto-disconnect for Telnet/Console Sessions
 - PPP User Authentication Supports (PAP & CHAP)
- **Operation & Managements**
 - System Performance Analysis for Process, CPU, Connection Interface
 - Debugging, System Auditing, and Diagnostics Support
 - System Booting and Auto-rebooting with Watchdog Feature
 - System Managements with Data Logging
 - IP Traffic Statistics with Accounting

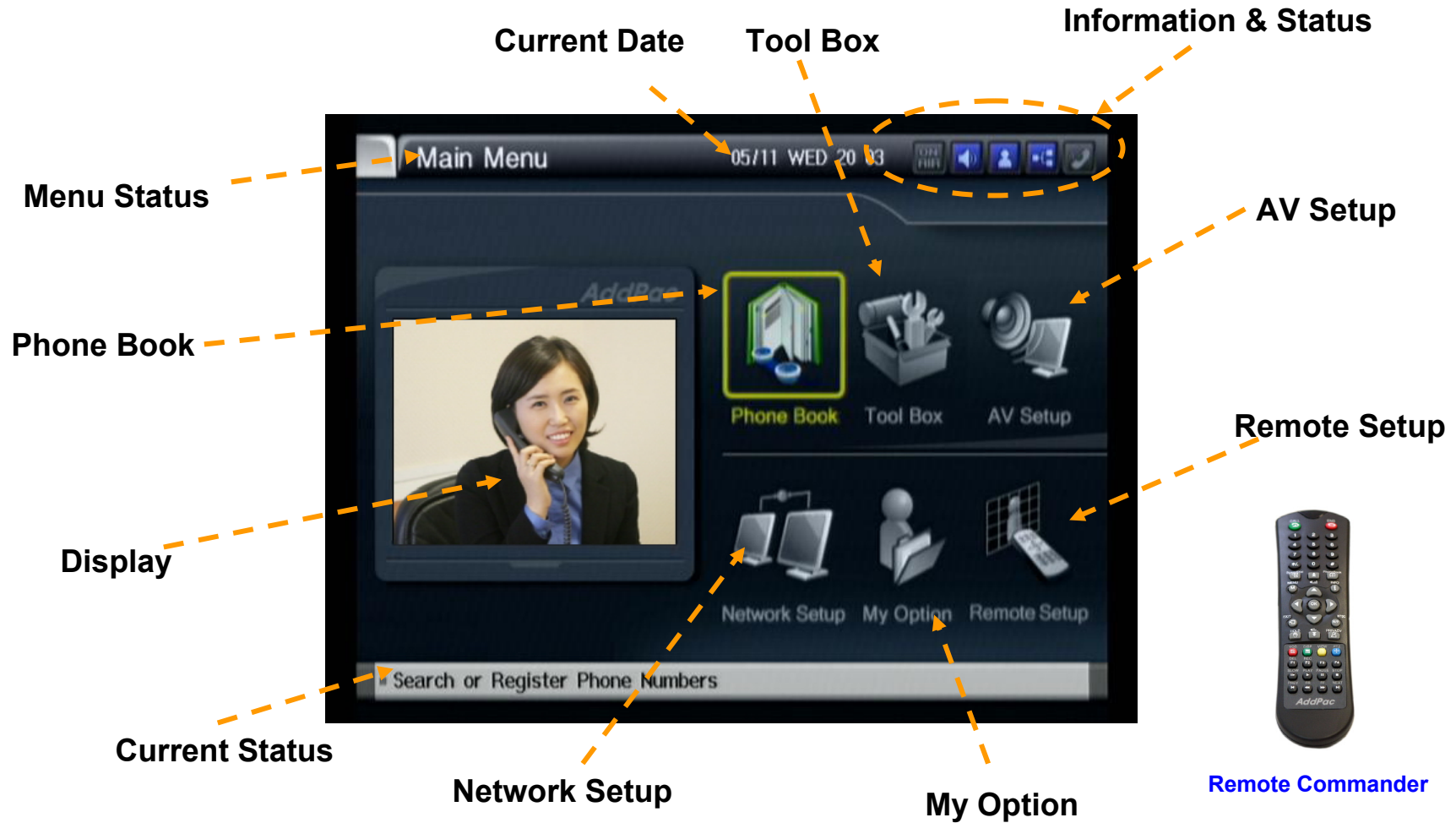
Network Service and Features

AddPac

- **Network Managements**
 - DHCP Server & Relay Functions
 - Network Address Translation (NAT) Function
 - Port Address Translation (PAT) Function
 - Transparent Bridging (IEEE Standard) Function
 - Spanning Tree Bridging Protocol Support
 - Remote Bridging Support
 - Concurrent Routing and Bridging Support
 - Cisco Style Command Line Interface (CLI)
 - Network time Protocol (NTP) Support

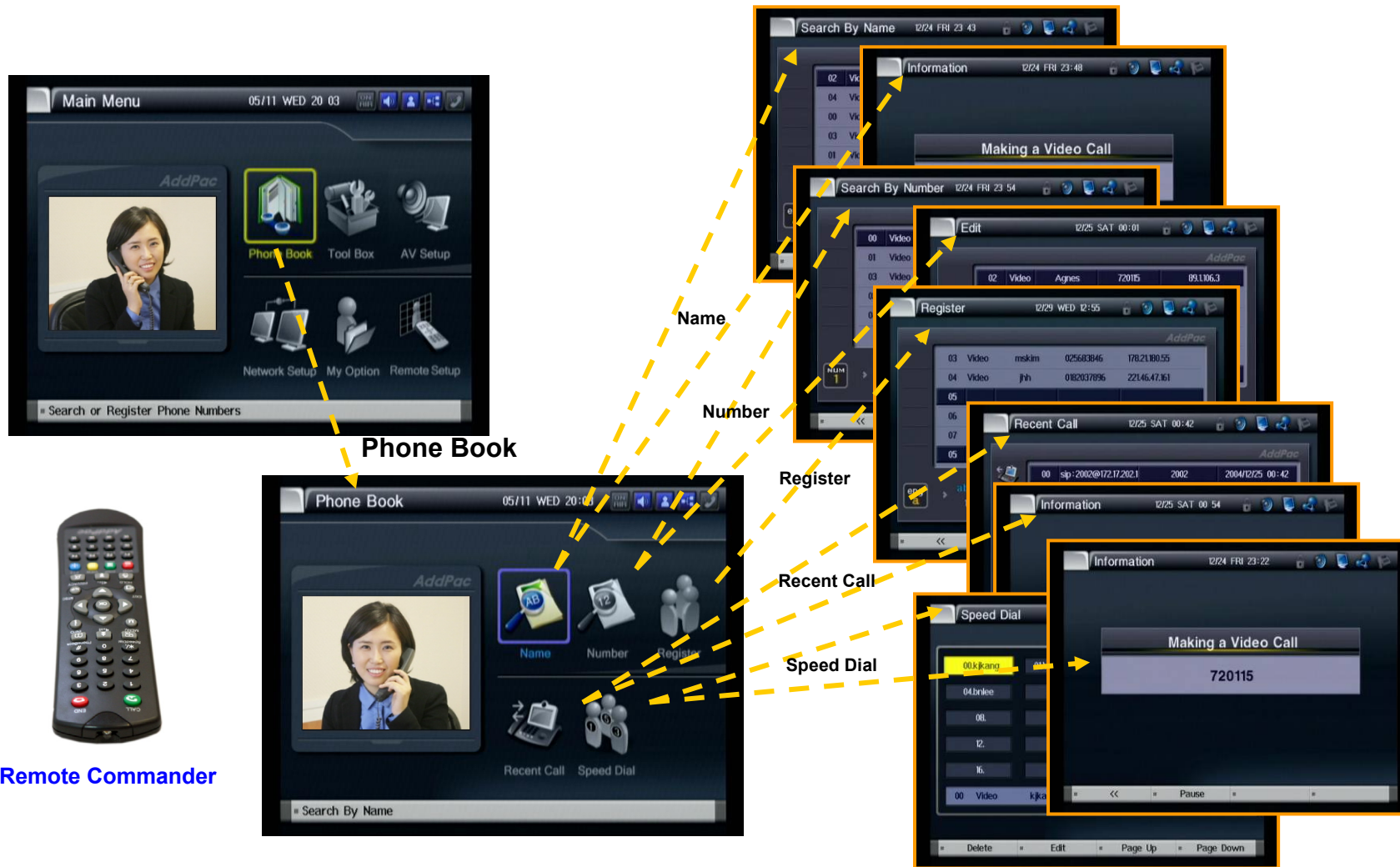
OSD Software Features

AddPac



OSD Software Features

AddPac



OSD Software Features

AddPac



AV Setup



Remote Commander



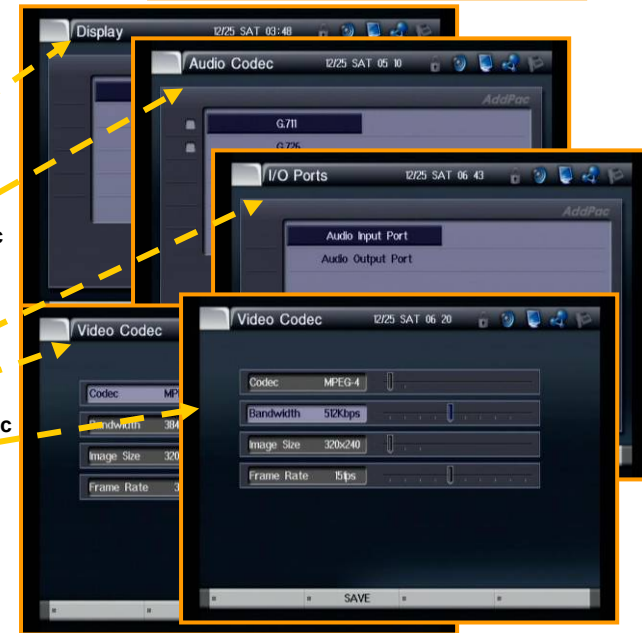
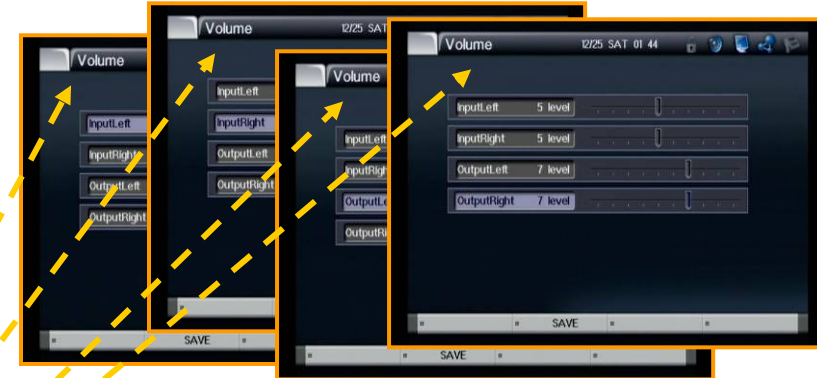
Volume

Display

Audio Codec

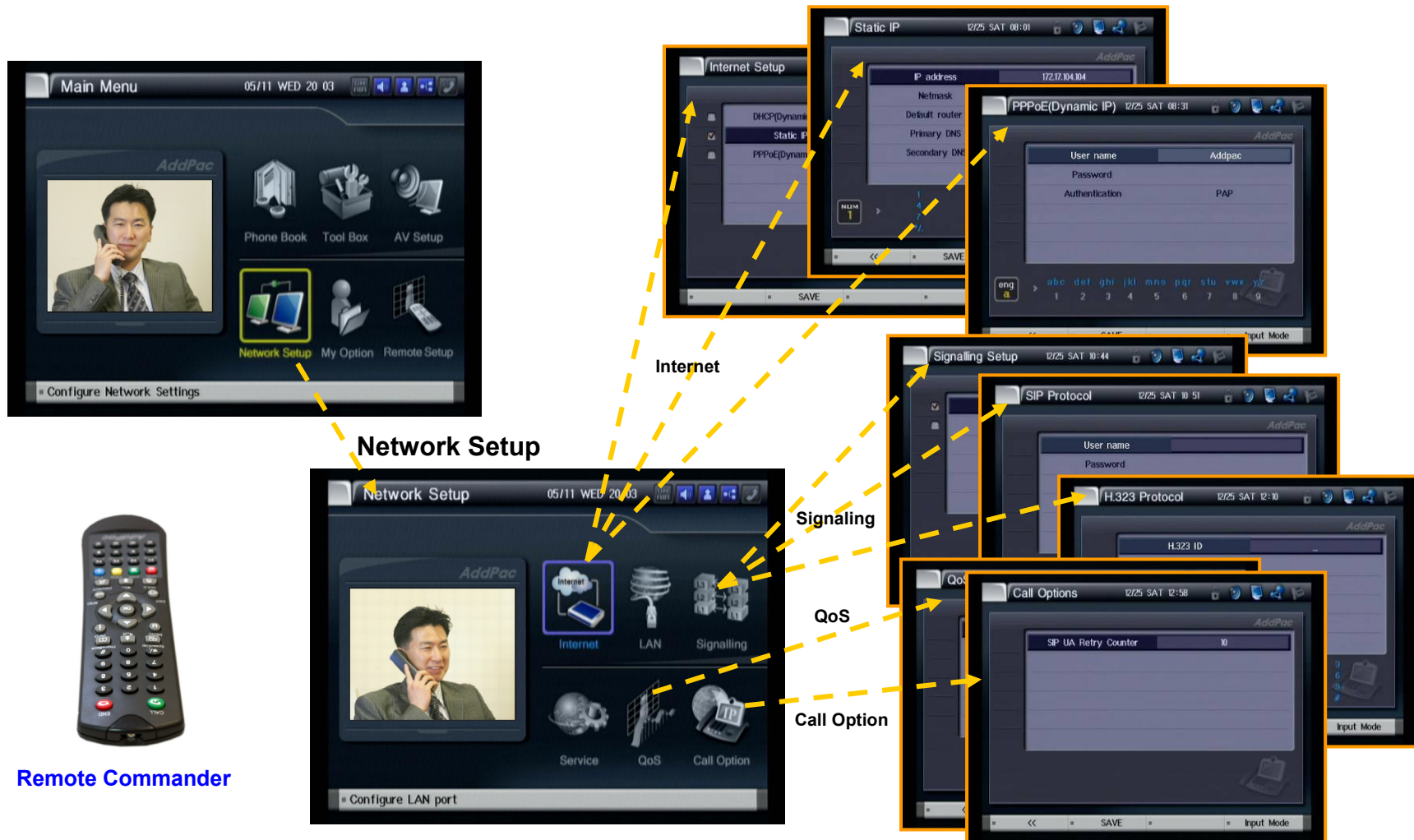
I/O Ports

Video Codec



OSD Software Features

AddPac



Thank you!

AddPac Technology Co., Ltd.
Sales and Marketing

Phone +82.2.568.3848 (KOREA)

FAX +82.2.568.3847 (KOREA)

E-mail sales@addpac.com