

IP Telephony Solution for Subway, Railroad Station

IPNext600 SIP Call Manager



AddPac

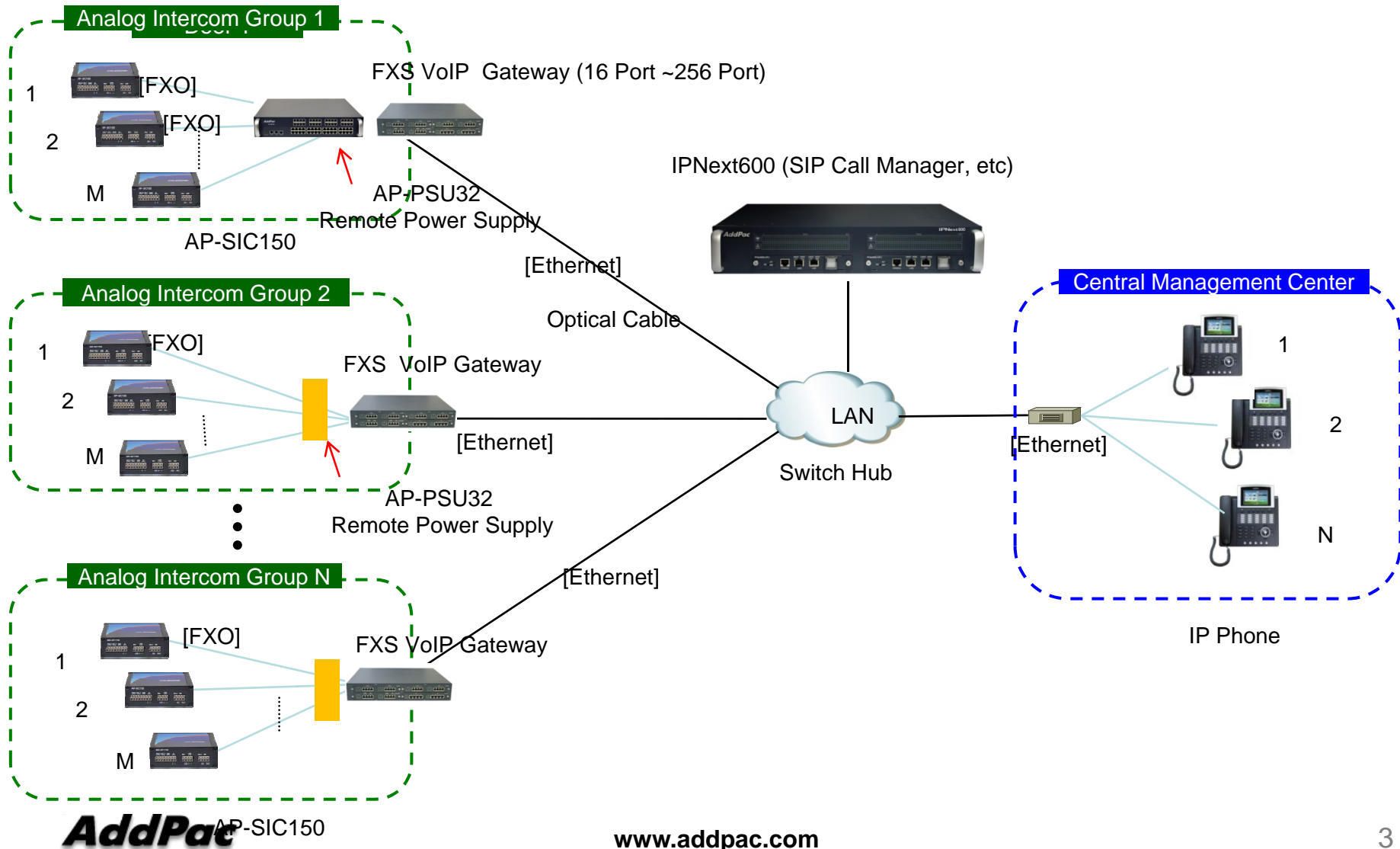
AddPac Technology

Sales and Marketing

Contents

- Network Diagram
- Solution Product Table
- IP Telephony Solution for Subway, Railroad Station
 - IPNext600 SIP Call Manager for Fault Tolerant Service
 - AP-IP120 IP Phone
 - AP2340 32 Port FXS VoIP Gateway
 - AP-SIC150 Analog FXO Hybrid SIP Intercom
 - AP-PSU32 32 Port Remote Power Supply Unit (-48V)

Network Diagram



Solution Product Table

IP Telephony Solution for Subway, Railroad Station

IPNext600 SIP Call Manager	AP-IP120 IP Phone	AP2340 32 Port FXS VoIP Gateway	AP-SIC150 Analog FXO Hybrid SIP Intercom	AP-PSU32 32 Port Remote Power Supply Unit (-48V)
				
<ul style="list-style-type: none"> -SIP Call Manager -Dual SIP Call Manager for Redundancy (Module Type) -Dual Power Supply (Module Type) -Two(2) LAN Port 	<ul style="list-style-type: none"> -12 Speed Dial Key (Presence LED) -Two(2) LAN Port -SIP, H323 VoIP Signaling -Headset Interface 	<ul style="list-style-type: none"> -32 Port Analog VoIP Gateway -32 Port FXS, FXO Support - 8 Port VoIP Module, 4 VoIP Slots -SIP, H.323 VoIP Signaling -Two(2) LAN Port - CLI, Smart Web Manager 	<ul style="list-style-type: none"> - Full Duplex, AEC Support -PoE Support -Analog FXO, SIP Both Support -H.323, SIP Support -One(1) LAN Port -Speaker, MIC, Call Button Support 	<ul style="list-style-type: none"> -PoE based 32 Port Remote Power Supply Unit -Analog Line+PoE Hybrid Solution -Port based Power On/Off Control -Two(2) LAN Port

IPNext600 SIP Call Manager



Main Features

- SIP Application Server, Proxy, Registrar and Location Server
- Multiple ITSP Trunk with SIP & H.323 Accounts Support
- Dual System Redundancy Architecture
 - Two(2) Fast Ethernet Interface / System
- High Performance RISC Architecture
- Powerful Network Protocols (PPPoE, DHCP, Static Routing, etc)
- IPv4/IPv6 Dual Stack
- RTP Proxy Function Embedded for Private IP and IPv6 Address Interworking
- User Presence Service Features for Smart Multimedia Messenger and Smart IP Phone
- IVR Scenario Editor, Voice Mail, Media Service (Coloring), Conference
- Firmware Upgradeable Architecture
- Smart Multimedia Manager for IP-PBX Management
- Smart Messenger Service (click to dial) for Unified Communication
- VPMS (VoIP Plug&Play Management System) & Smart NMS for Large Scale Deployment
- Advanced Voice QoS Mechanism
- Dual Redundancy Power Module

Hardware Specification

RISC
CPU

- High-End Microprocessor Computing Power
- Main Chassis
 - Dual Redundancy CPU Boards for System Fault Tolerant
 - Two(2) 10/100Mbps Gigabit Ethernet
 - One(1) RS-232C Console (RJ45)
 - Dual Redundancy Power Supply Module
 - Hot-Swap Features

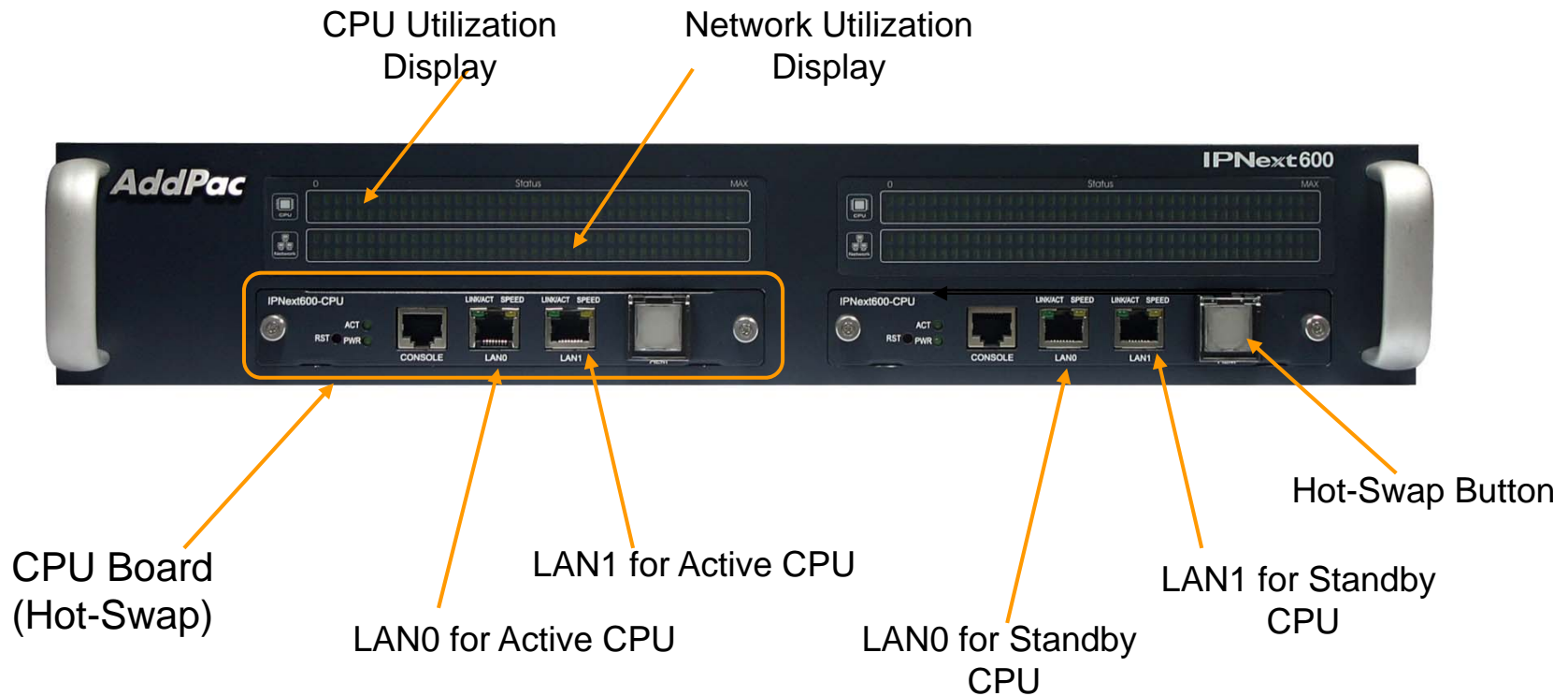


Hardware Specification

IPNext600 Call Manager

RISC
CPU

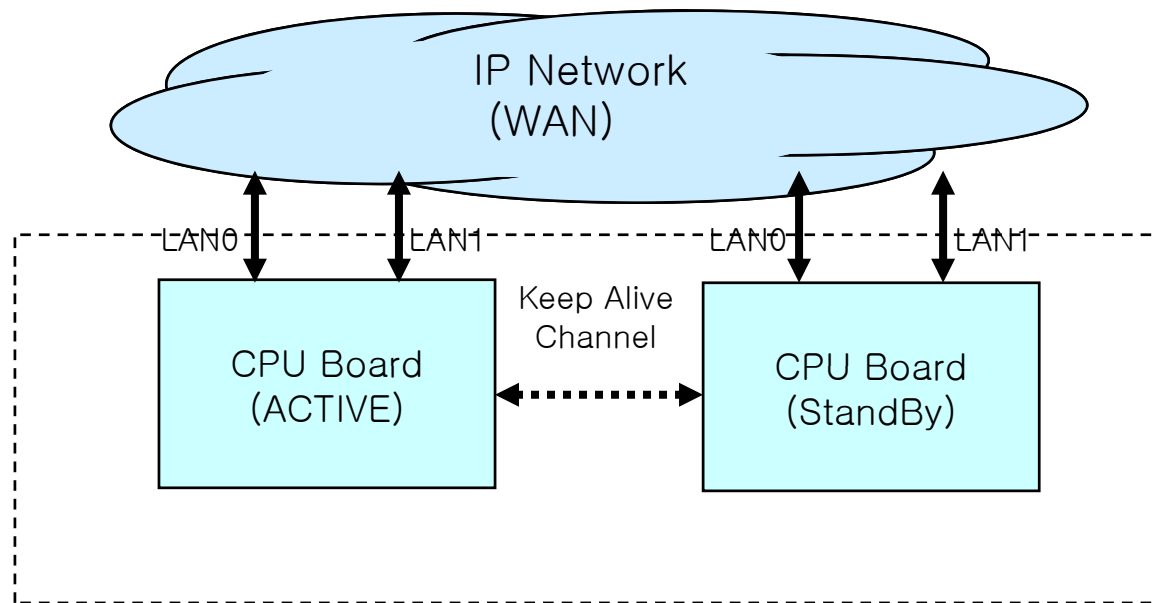
Front Side



System Redundancy Features

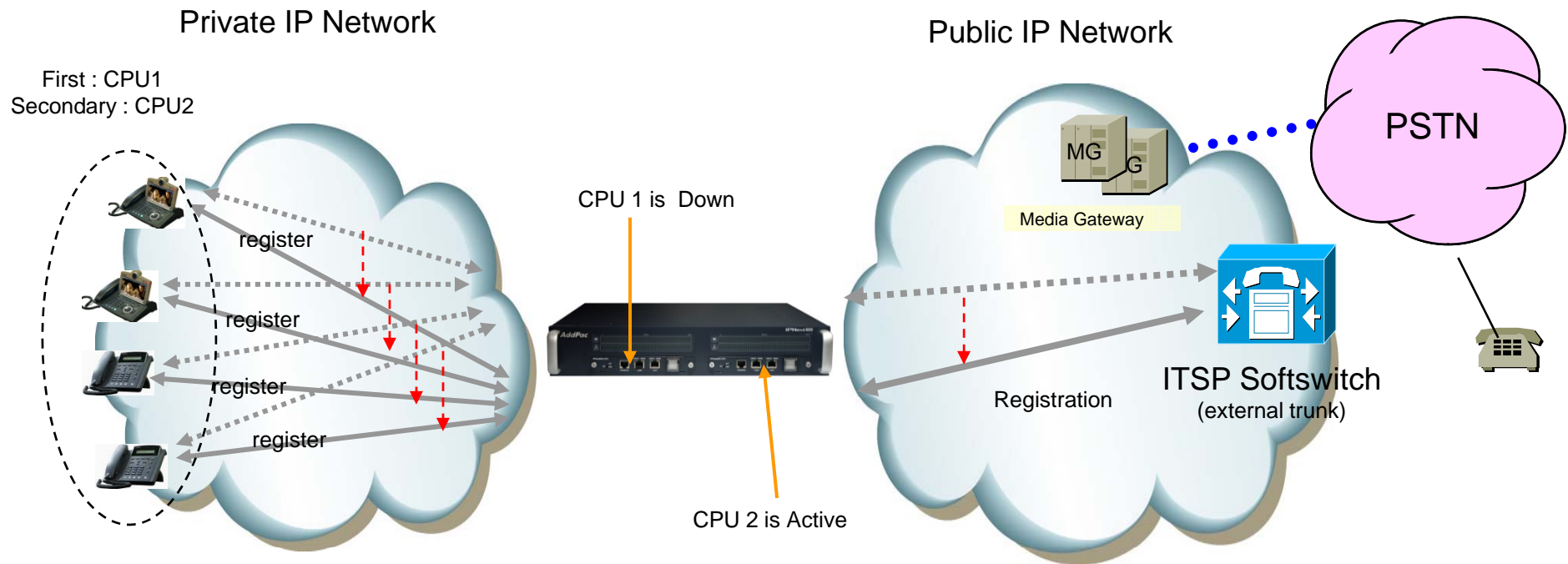
IPNext600 Call Manager

IPNext600 System Block Diagram



System Redundancy Features

- Active– Active Duplication Scheme
- Active – Standby Duplication Scheme
- VRRP based Duplication Scheme



Active – Standby Duplication Scheme (example)

IP Telephony Service and Features

- **Signaling Server**

- SIP Application Server, Proxy, Registrar and Location Server (RFC3261)
- Multiple ITSP Trunk with SIP & H.323 Accounts Support
 - IP UA Client Role for Registering to ITSP SIP Server
 - H.323 Gatekeeper Client Role for Registering to ITSP H.323 Gatekeeper Server

- **IVR & Auto Attendant**

- Default Auto Attendant Support
- Interactive Voice Response (IVR)
 - Provides with GUI-based Smart IVR Scenario Editor
 - Upload/Download Scenario by Smart IVR Scenario Editor
 - Supports Multiple Concurrent Scenarios
 - Supports Recordable IVR Prompts

- **Voice Mail**

- Support Voice Mail with IVR
- Access from Remote Site via Trunk Support
- Voice Mail Notification Support

IP Telephony Service and Features

- **Number & Call Routing**

- Trunk Hunting by Preference or Sequential
- Call Hunting by Preference, Simultaneous, Random
- Call Hunting by Chained Hunting Group
- Partition for Address Grading
- Call Class for Call Access Control
- Number Translation Rule for Inbound/Outbound Call
- Centrex with Prefix Support
- Multiple Shared Devices with One Number
- Multiple Numbers on One Device
- Individual Call Park within Park Number Pool
- Group Call Park within a Group or Other Group
- Call Pickup of Ringing Call of Same Group or Other Group
- Call Pickup of Parked Call
- Call Transfer - Blind, Consult
- Call Forwarding - Unconditional, Busy, No Answer, Voice Mail
- Call Waiting
- Call Swaping
- Call Hold

IP Telephony Service and Features

- **IP-PBX Advanced Features with AddPac IP Phones**

- Multiple Call Handling with Call Status and Calling Line Number and Name
- Plug and Play with Auto Discovery Function
- Softkey Map Download and Control
- Time and Date Setting
- Voice Mail List View
- Parked Call List View
- Call Forward Setting
- Recent Call List View
- Calling Number and Name Identification
- Individual Call Park within Park Number Pool by Softkey
- Group Call Park within a Group or Other Group by Softkey
- Call Pickup of Ringing Call of Same Group or Other Group by Softkey
- Call Pickup of Parked Call by Softkey
- Call Transfer - Blind, Consult by Softkey
- Call Waiting Indication
- Call Swaping by Softkey
- Call Hold by SoftKey
- Conference Control

AP-IP120 IP Phone



Product Overview

- IP Phone Solution
- 12 Speed-Dial Key with Presence Indication Lamp
- Audio Broadcasting Solution
- High-performance Audio, and Voice Service
- Firmware Upgradeable Architecture
- VoIP Solution with Outstanding Network Service Capability
- Audio Privacy Protection

Hardware Specification

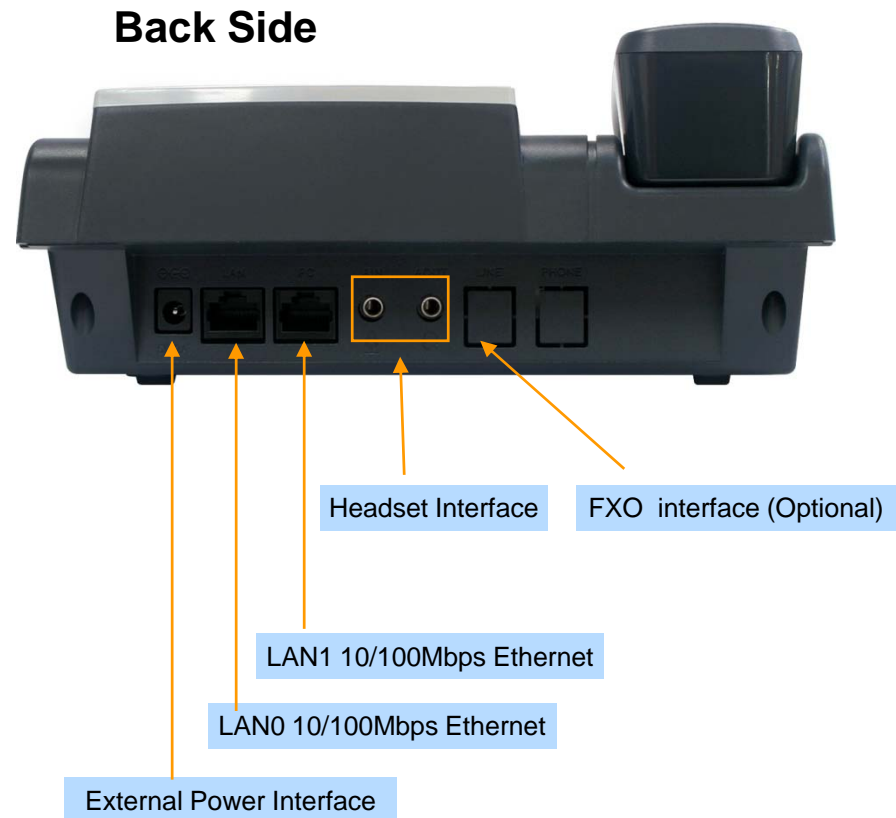
- RISC+DSP Microprocessor Computing Power (Dual Processor Architecture)
- Optional PSTN Backup (FXO) Interface
- Optional PoE (Power over Ethernet)
- High quality Audio and Voice Interface
 - Stereo Audio Input Connector
 - Stereo Audio Output Connector
- Network Interface
 - Two(2) 10/100Mbps Fast Ethernet
- LCD Window : Graphic LCD (4 Line Text)
- 12 Speed-Dial Key with Presence Indication LAMP
- Power Supply
 - External Power Adaptor (5V, 2A)

Hardware Specification

Hardware Specifications

AP-IP120 IP Phone	Basic Specifications
CPU	RISC Microprocessor
Ethernet Interface	2-Ports 10/100Mbps Ethernet Interface(RJ-45)
PSTN Backup Port (Optional)	1-Port PSTN Backup Port(RJ-11)
Flash Memory	4Mbyte High-speed Flash Memory
Base Memory	16Mbyte High-speed SDRAM
Power Requirement	External Power Supply Adaptor / VAC 110~220V, 50/60Hz, 10Watt(5V,2A)
	Power over Ethernet (option)
Operating Temperature	0°C ~ 45°C (32 °F ~ 122°F)
Storage Temperature	-40°C ~ 85°C (-40°C ~ 185°F)
Relative Humidity	5% ~ 95% (Non-condensing)
Dimensions	H x W x D (70mm x 200mm x 210mm)
Weight (g)	1Kg

Network interface Configurations



AP2340

32-Port Analog FXS VoIP Gateway



Product Overview

AP2340 32Port Analog VoIP Gateway

- H.323/SIP Dual VoIP Signaling Stack Embedded
- High Performance RISC & Programmable DSP Architecture
- Two(2) 10/100Mbps Fast Ethernet (IP Share ,etc)
- High Performance LAN-to-LAN Routing Capability
- G.711/G.726/G.723/G.729, T.38 Fax , VAD, etc
- Powerful Network Protocols (PPPoE, DHCP, Static Routing, etc)
- Firmware Upgradeable Architecture
- SNMS (Smart Network Management System) for Large Scale Deployment
- Advanced Voice QoS Mechanism
- Compact Design with Internal Power Supply
- Four(4) VoIP Module Slot : 8-Port VoIP Module (FXS, FXO, etc)

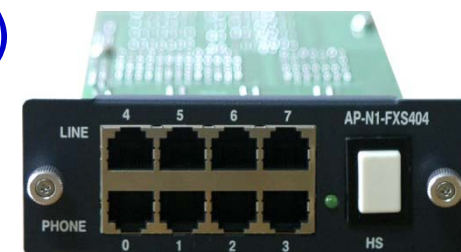
Hardware Specification

AP2340 32Port Analog VoIP Gateway

RISC
CPU

High-end
DSP

- **RISC Microprocessor Computing Power**
- **Up to 32 Port Analog VoIP Gateway**
- **Four(4) VoIP Module Slots (Hot-Swap)**
 - 8-Port FXS Card, 8-Port FXO Card, 4-Port FXS 4-Port FXO Card
- **Network Interface**
 - Two(2) 10/100Mbps Fast Ethernet (RJ45)
- **RS232C Console Interface**
- **Run LED, LAN LED, Port LEDs**
- **Internal Power Supply**



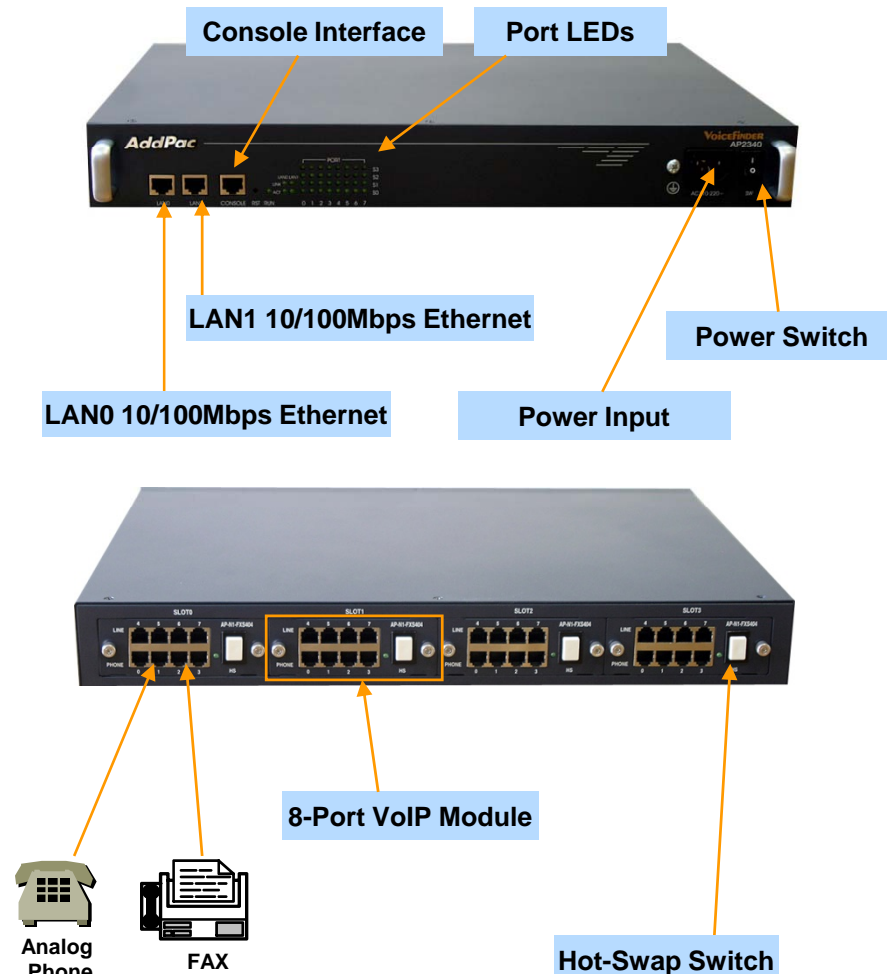
Hardware Specification

AP2340 32Port Analog VoIP Gateway

Hardware Specifications

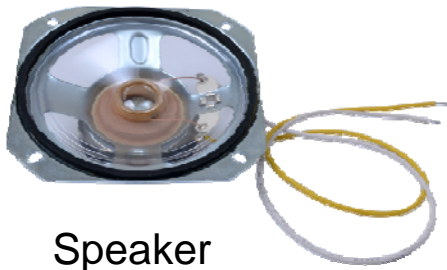
AP2340 VoIP Gateway	Basic Specifications
Voice Interface	Four(4) VoIP Module Slots AP-N1-FXS8, AP-N1-FXO8, AP-N1-FXS4O4
Ethernet Interface	2-Ports 10/100Mbps Ethernet Interface(RJ-45)
Flash Memory	4Mbyte High-speed Flash Memory
Base Memory	32 Mbyte High-speed SDRAM
Power Requirement	Power Supply / VAC 110~220V, 50/60Hz, 5V 15A, 12V 8A
Operating Temperature	0°C ~ 45°C (32 °F ~ 122°F)
Storage Temperature	-40°C ~ 85°C (-40°C ~ 185°F)
Relative Humidity	5% ~ 95% (Non-condensing)
Dimensions	W×D×H (440×318×56mm)

Network interface Configurations



AP-SIC150

Hybrid SIP Intercom Call Box



Speaker



Call Button



MIC



Product Overview

AP-SIC150 Hybrid SIP Intercom Call Box

- High Performance SIP Intercom Call Box for Custom Solution
- Full Duplex Voice Communication with Acoustic Echo Canceller
- One(1) 10/100Mbps Fast Ethernet
- PoE(Power over Ethernet) Support
- FXO PSTN Analog Interface Support for Long Distance Line
- High Quality Speaker Phone Features
- SIP VoIP Signaling Stack Embedded
- Various Voice Codec Support : G.711, G.726, G.729.1, etc
- Powerful Network Protocols (PPPoE, DHCP, Static Routing, etc)
- Firmware Upgradeable Architecture
- Advanced Voice QoS Mechanism
- Smart Web Manager
- External MIC, Speaker, Call Button, LED interface support

Hardware Specification

AP-SIC150 Hybrid SIP Intercom Call Box

- RISC+DSP Microprocessor Computing Power
- Network Interface
 - One(1) 10/100Mbps Fast Ethernet
- FXO Analog Line Interface
- External MIC, SPEAKER, Call Button, LED Interface
- Alarm & Relay Out Interface
- Power Supply
 - Power over Ethernet (Option)
 - External Power Adaptor

Hardware Specification

AP-SIC150 Hybrid SIP Intercom Call Box

Front



External Power Input

Analog FXO Port

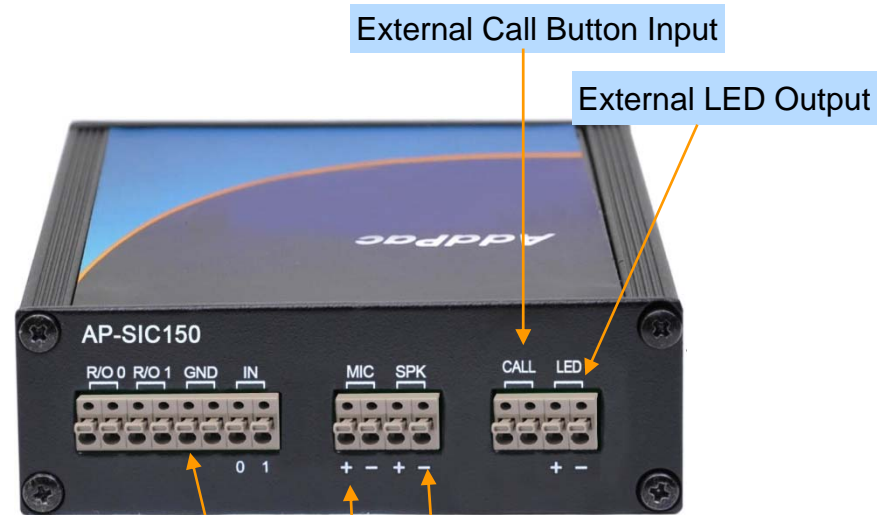
Fast Ethernet LAN Port
(PoE Option)

Analog FXO Port
+ PoE

AddPac

www.addpac.com

Back



External Call Button Input

External LED Output

External Speaker Out

External MIC Input

Alarm & Relay Ports

AP-PSU32

32 Port Remote Power Supply Unit



Product Overview

AP-PSU32 32 Port Remote Power Supply Unit

- PoE based 32 Port Remote Power Supply Unit
- Analog Line + Power over Ethernet Hybrid Solution
- IP based Remote Device Power ON/OFF Control
- Remote Power Control Port (-48V)
 - 32 Port Analog Line Input (RJ11)
 - 32 Port Power Embedded Analog Line Output (RJ45)
- Network Interface
 - Two(2) 10/100Mbps Fast Ethernet Interface
 - One(1) RS232C Interface
- Firmware Upgradeable Architecture(FTP, TFTP)
- Smart Web Manager Support
- Dual Power Supply for Redundancy

Hardware Specification

AP-PSU32 32 Port Remote Power Supply Unit

A square logo with a dark blue background and a light blue border. The text "RISC" is positioned above "CPU" in white, sans-serif font.

RISC
CPU

- RISC Microprocessor Computing Power
- Status LED Support
- Remote Analog Line Power Supply (-48V)
 - 32 Port Analog Line Input (RJ11)
 - 32 Port Power Embedded Analog Line Output (RJ45)
- Network Interface
 - Two(2) 10/100Mbps Fast Ethernet (RJ45)
 - One(1) RS-232C Interface (RJ45)
- Dual Power Supply for Redundancy

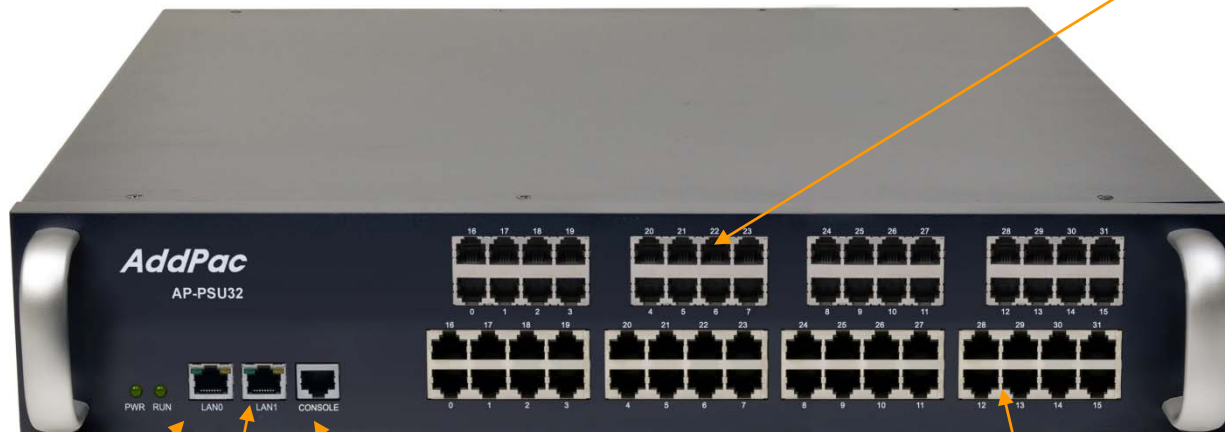
Hardware Specification

AP-PSU32 32 Port Remote Power Supply Unit

RISC
CPU

Front Side

32 Port Analog Line Input (RJ11)



LAN0 Interface
(RJ45)

LAN1 Interface
(RJ45)

RS232 Interface
(RJ45)

32 Port Power Embedded
Analog Line Output (RJ45)

Hardware Specification

AP-PSU32 32 Port Remote Power Supply Unit

RISC
CPU

Rear Side



Power Input #0

Power Input # 1



Thank you!

AddPac Technology Co., Ltd.
Sales and Marketing

Phone +82.2.568.3848 (KOREA)

FAX +82.2.568.3847 (KOREA)

E-mail sales@addpac.com