

PassFinder AP5840

MultiService Router



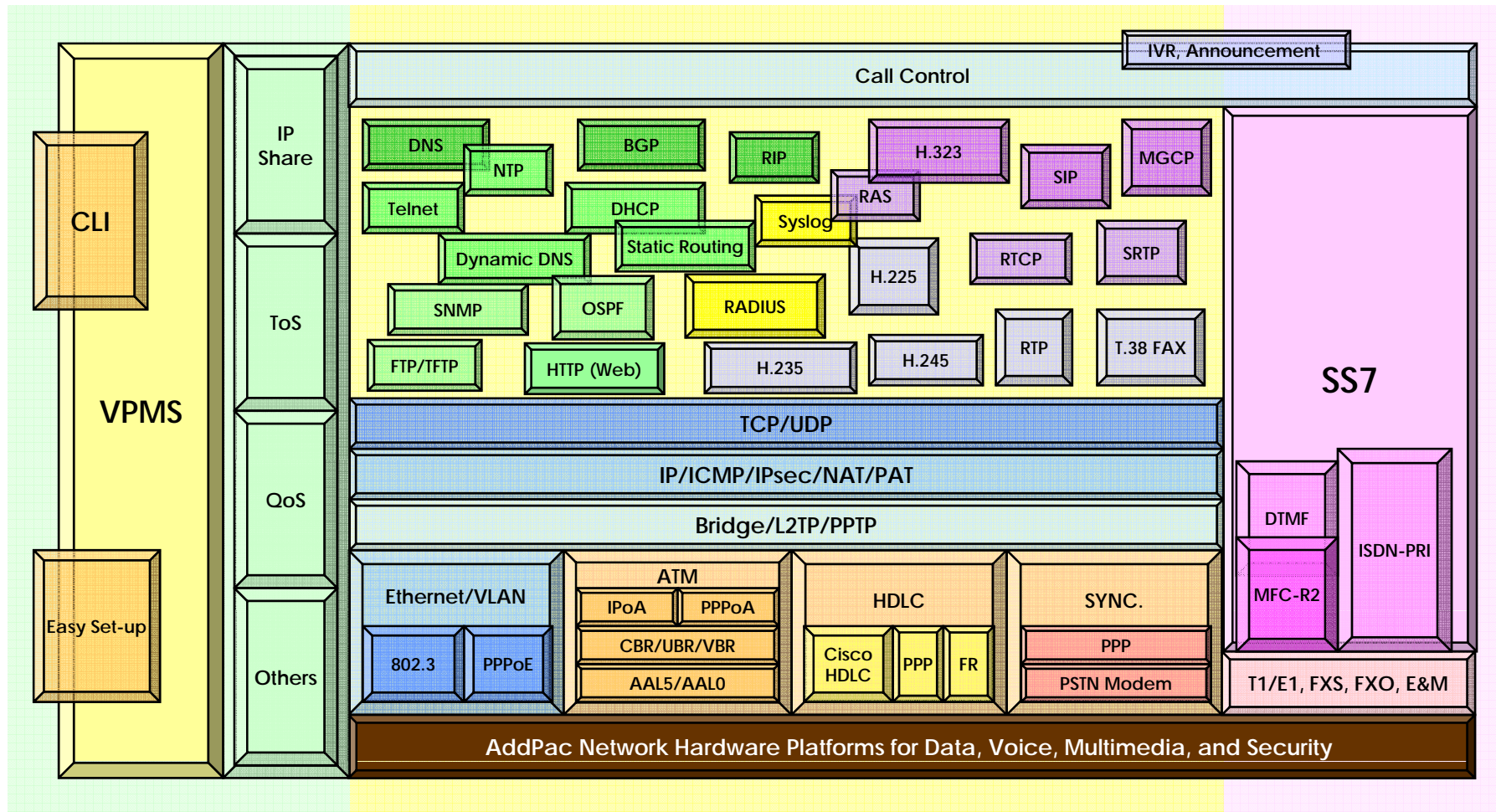
Technical Sales and Marketing

AddPac Technology

www.addpac.com

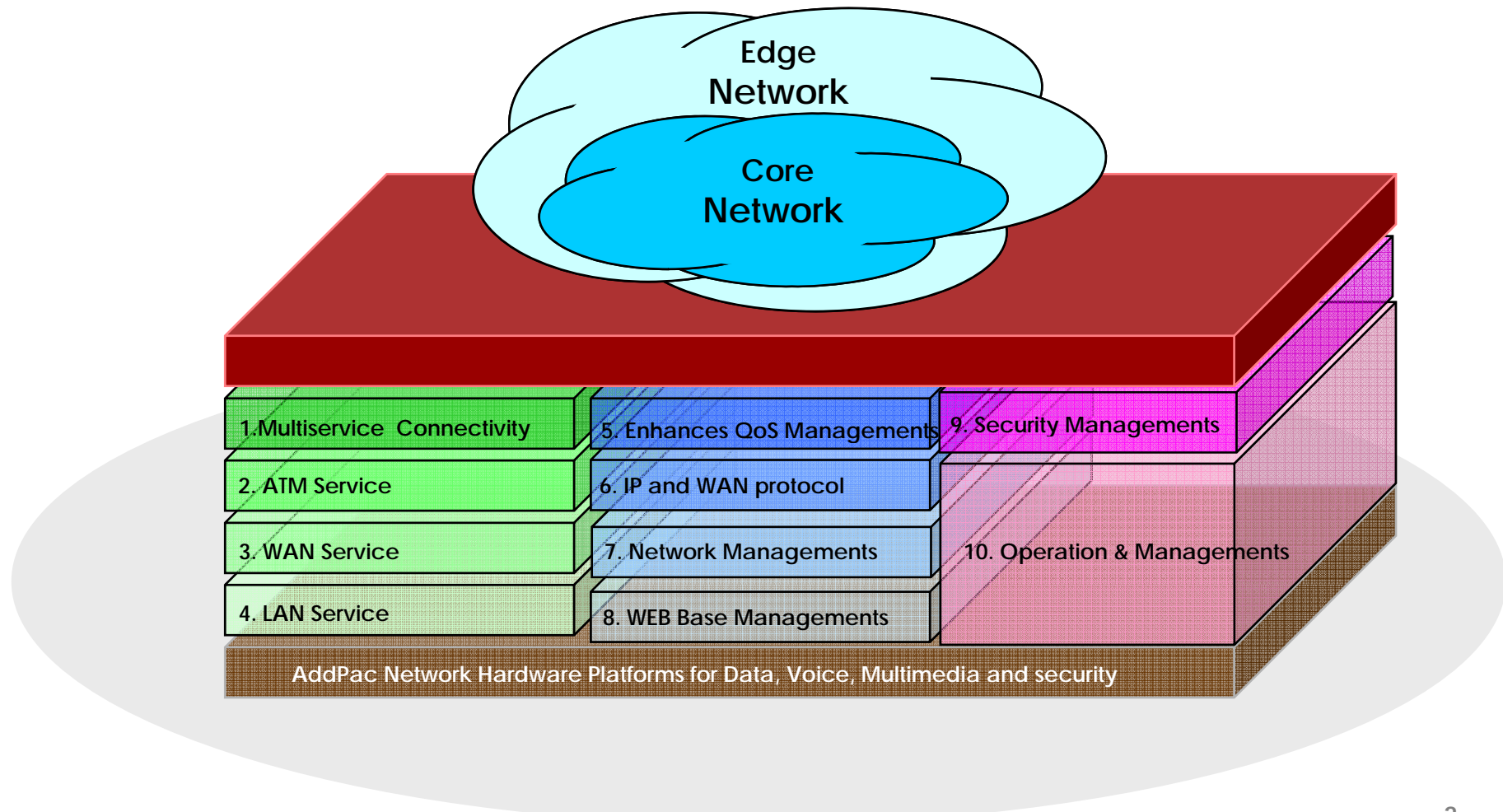
AP5840 MultiService Router Product Overview

APOS Internetworking Protocol Stack



AP5840 Multiservice Router Product Overview

APOS Internetworking S/W World (cont.)

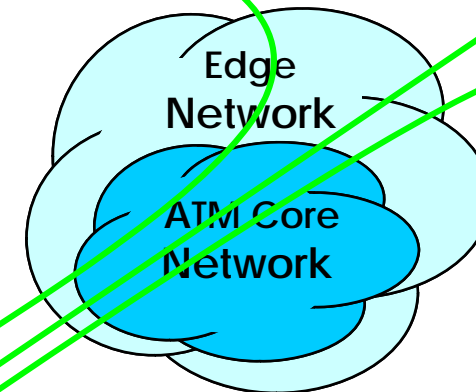


AP5840 Multiservice Router Product Overview

ATM Service

- Standard 2Mbps E1 ATM service
- Standard 45Mbps DS3 ATM service
- Standard 155Mbps OC3(STM-1) ATM Service
- ATM PVC UNI3.0, 3.1, 4.0 Support
- RFC1483 and RFC1577 based IPoA Service
- PPPoA and PPPoE Services
- ATM Classes of Service Support
 - ATM PVCs and SVCs Service
 - CBR, rt-VBR, nrt-VBR, UBR, and UBR+ Support
 - AAL0 ,AAL5
- PCR and MCR Service
- ATM Traffic Management Support
- VBR Type 1 and Type2 Support
- provide Priority Level of 8-layer with ATM Pace Control
- Traffic shaping on a per-VC basis

PPPoA



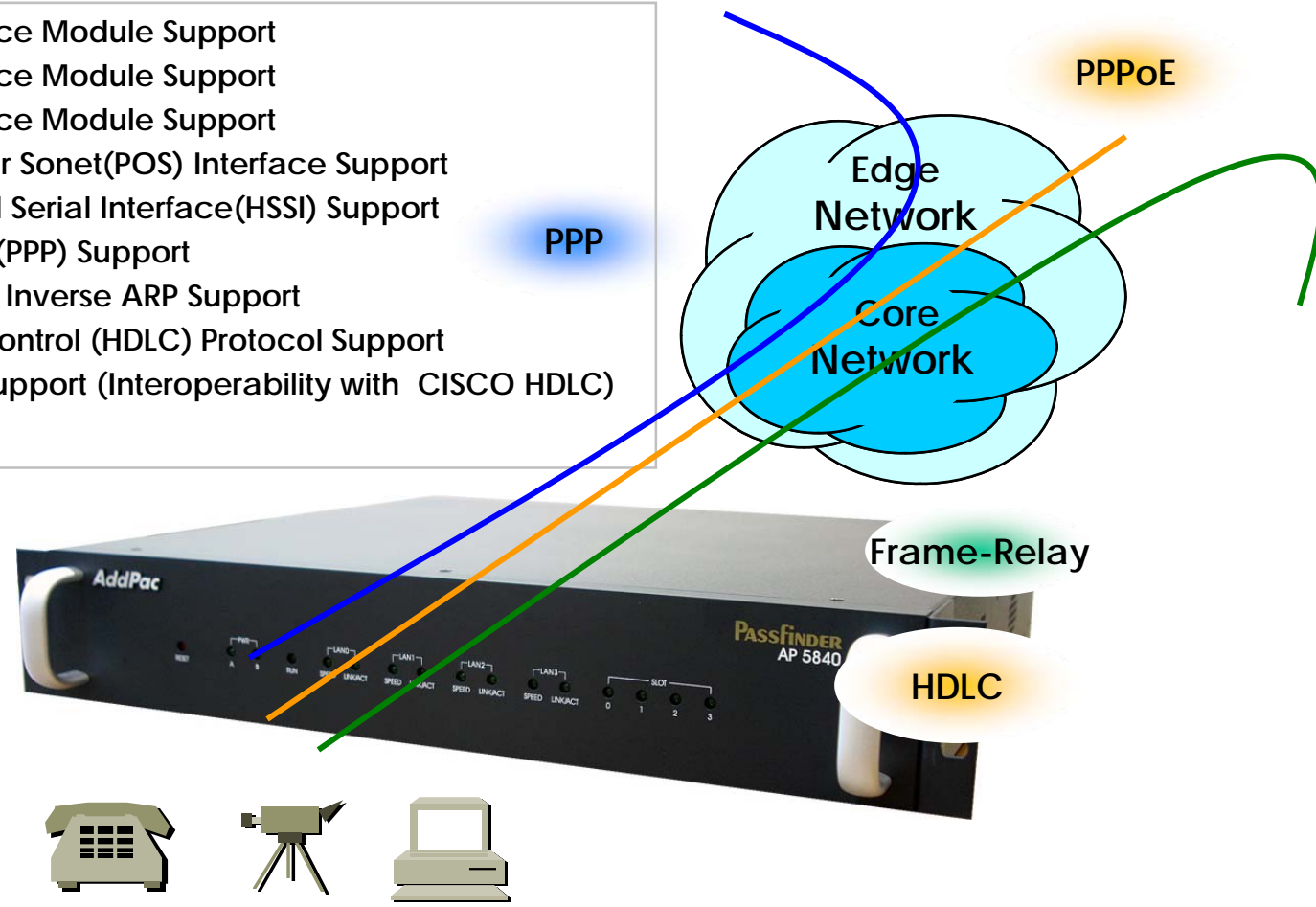
IPoA



AP5840 Multiservice Router Product Overview

WAN Service

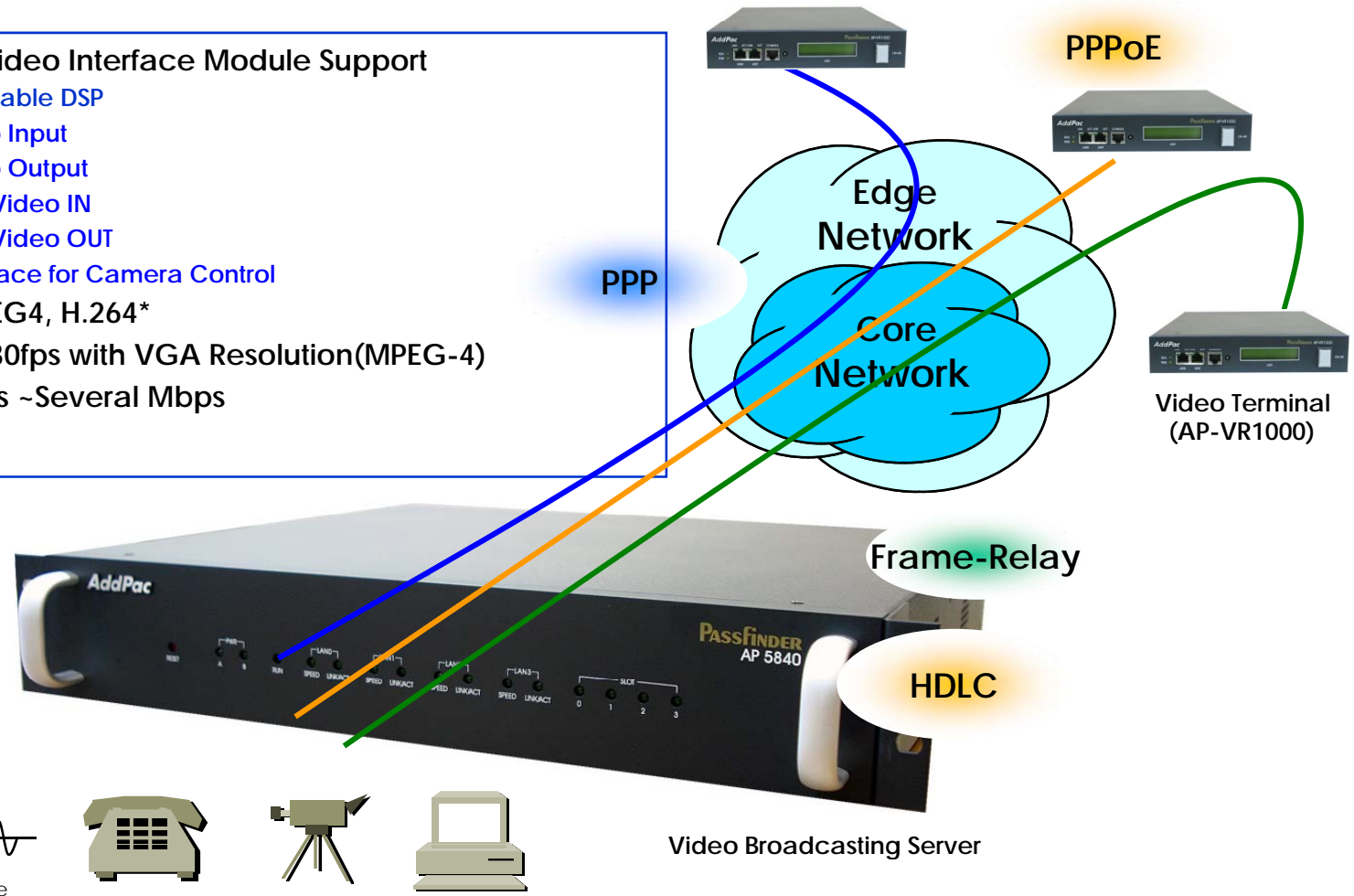
- 1 channel V.35 Interface Module Support
- 2 channel V.35 Interface Module Support
- 6 channel V.35 Interface Module Support
- 45Mbps T3 Packet over Sonet(POS) Interface Support
- 45Mbps T3 High Speed Serial Interface(HSSI) Support
- Point-to-Point Protocol(PPP) Support
- Frame-Relay PVC with Inverse ARP Support
- High-level Data Link Control (HDLC) Protocol Support
- HDLC Encapsulation Support (Interoperability with CISCO HDLC)



AP5840 Multiservice Router Product Overview

Video Service

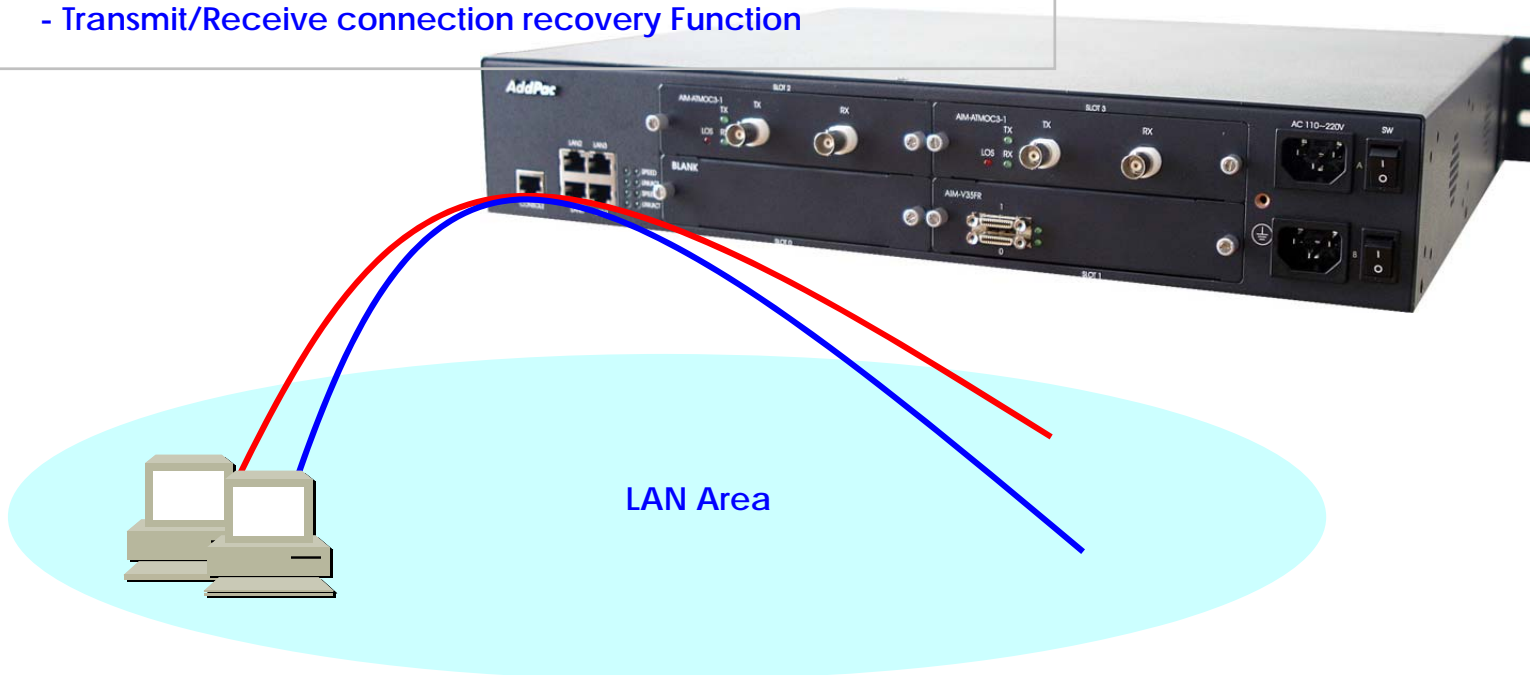
- 1-channel Audio/Video Interface Module Support
 - High-End Programmable DSP
 - 3.5mm Stereo Audio Input
 - 3.5mm Stereo Audio Output
 - RCA Connector for Video IN
 - RCA Connector for Video OUT
 - RS232C/RS422 Interface for Camera Control
- Codec : H.263, MPEG4, H.264*
- Frame Rate : Upto 30fps with VGA Resolution(MPEG-4)
- Bandwidth : 64Kbps ~Several Mbps



AP5840 Multiservice Router Product Overview

LAN Service

- Ethernet Interface
 - Four(4) Port Independent 10/100Mbps Fast Ethernet Interface
 - Auto Sensing
- Configuration Management Function
 - Port Configuration Function
 - Secondary/Subnet Support
 - MTU Size change Function
 - Transmit/Receive connection recovery Function



AP5840 Multiservice Router Product Overview

WEB Based Management

- WEB Based Management (GUI)
 - Web Based Management using HTTP Server Interface
 - Easy Setup
 - Graphical User Interface (GUI)

Interface	IP-Address	Status	Protocol
loopback0	127.0.0.1	up	up
ether0.0	172.16.1.17	up	up
serial0	20.1.2.253	down	down
serial1	unassigned	down	down



Ethernet

<http://a.b.c.d>



AP5840 Multiservice Router Product Overview

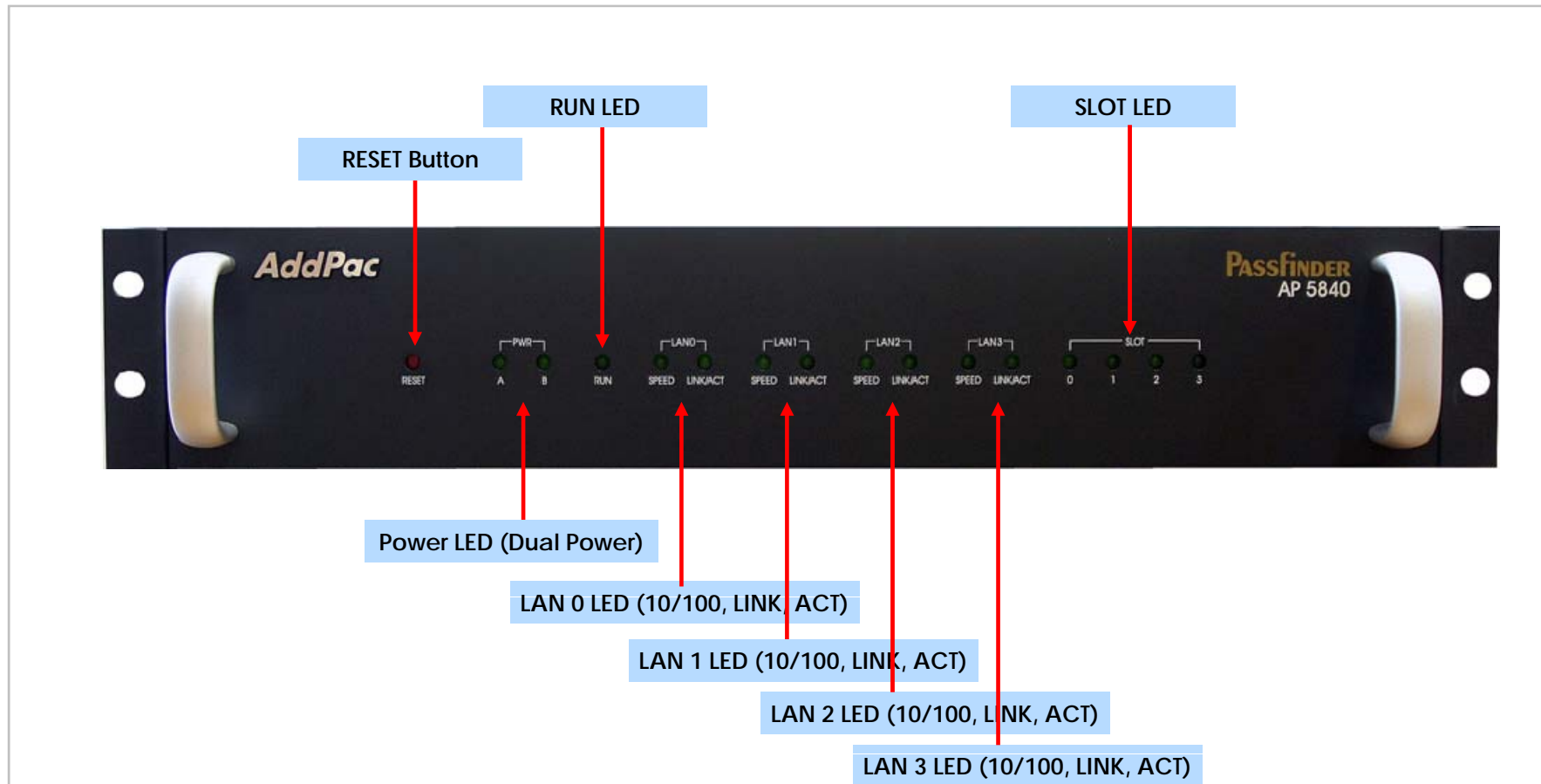
Operation & Management

- System Performance Analysis
 - Process Check Analysis
 - CPU, Connection Interface Analysis
- Configuration Management
 - APOS and Configuration Backup, Restore
 - Configuration Erase, Save
- Debugging and Diagnostics
 - Data Packet Decoding for APOS Protocols
- System Booting and Auto Rebooting
 - Fast booting into 30 second
 - Watch Dog Function for High-Availability
- System Managements
 - Data Logging and IP Traffic Statistics
 - Command HELP and History
 - Command Line Interface (CLI)



AP5840 Multiservice Router Product Overview

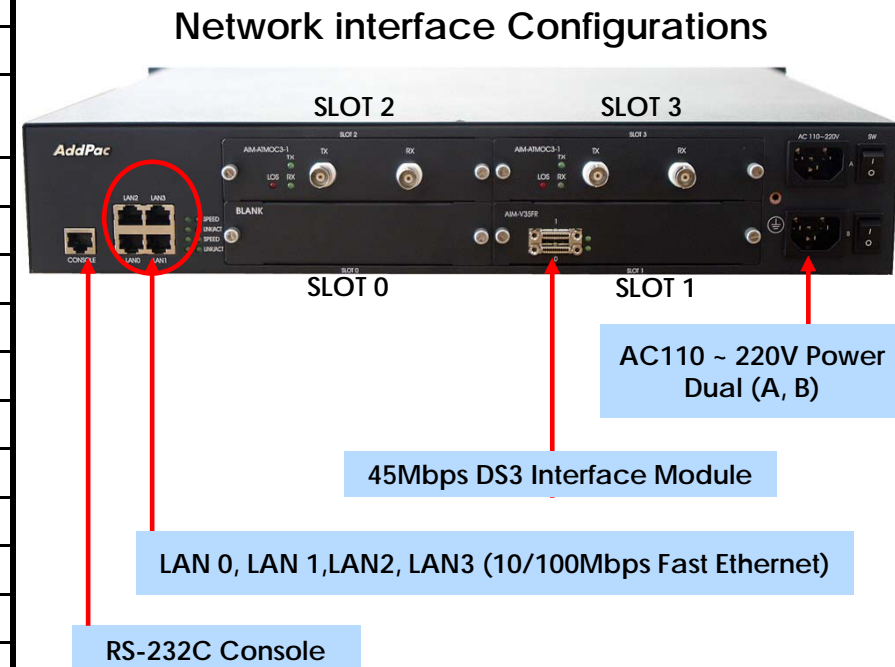
AP5840 Hardware Specification



AP5840 Multiservice Router Product Overview

AP5840 Hardware Specification (Cont.)

AP584 ATM Router	Basic Specifications
CPU	High-End RISC Microprocessor
Network Modules	Four(4) Multiservice Network Modules Slots
Fixed Network Interface	4-Ports 10/100Mbps Fast Ethernet Interface 1-Port Asynchronous Serial Interface (RJ45)
Network Interface Module	1-Port 2Mbps E1 ATM Interface Module (RJ45)
	1-Port 25Mbps ATM25 Interface Module (RJ45)
	1-Port 45Mbps DS3 ATM Interface Module (BNC)
	1-Port 155Mbps OC-3 ATM Interface Module
	1-Port 45Mbps T3 POS Network Module (BNC)
	1-Port 45Mbps T3 HSSI Network Module (D-Sub)
	1,2,6-Port V35 WAN Interface Module
	1-Port Gigabit Ethernet Interface Module
	1-Channel Audio/Video Interface Module
Memory	256Mbyte High-speed Flash Memory
	512Mbyte High-speed Memory
	512Kbyte Flash Memory (Boot ROM)
Power Requirement	VAC 110~ 220V Auto sensing, 50/60Hz Dual Power
Operating Temperature	0°C ~ 55°C (32 °F ~ 112°F)
Storage Temperature	-40°C ~ 85°C (-40°C ~ 185°F)
Relative Humidity	5% ~ 95% (Non-condensing)
Dimensions	86mm x435mm x 388mm (H x W x D)



AP5840 Multiservice Router Product Overview

AP5840 Network Interface Module



• 2Mbps ATM Network Interface Module



• OC3(155Mbps) ATM Network Interface Module



• 25Mbps ATM Network Interface Module



• DS3(45Mbps) ATM Network Interface Module



• High Speed Serial Interface Module



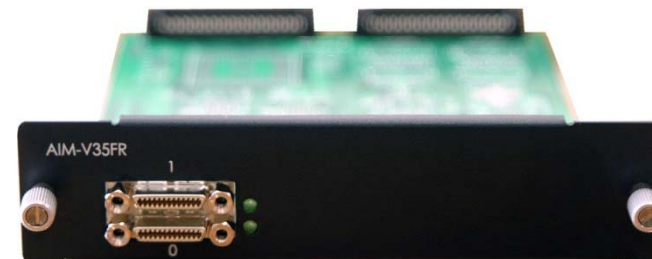
• DS3(45Mbps) POS/SDH Network Interface Module

AP5840 Multiservice Router Product Overview

AP5840 Network Interface Module



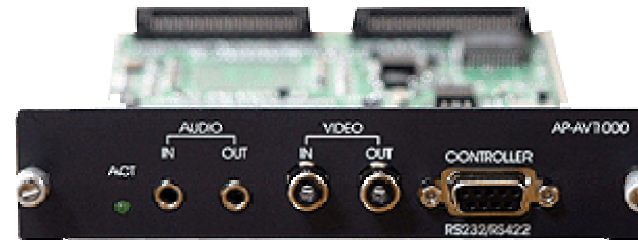
• 1 Channel V.35 Network Interface Module



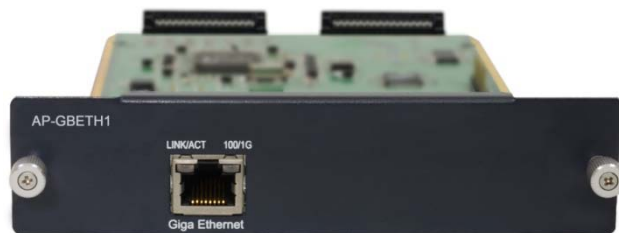
• 2 Channel V.35 Network Interface Module



• 6 Channel V.35 Network Interface Module



• One(1) channel Audio/Video Interface Module



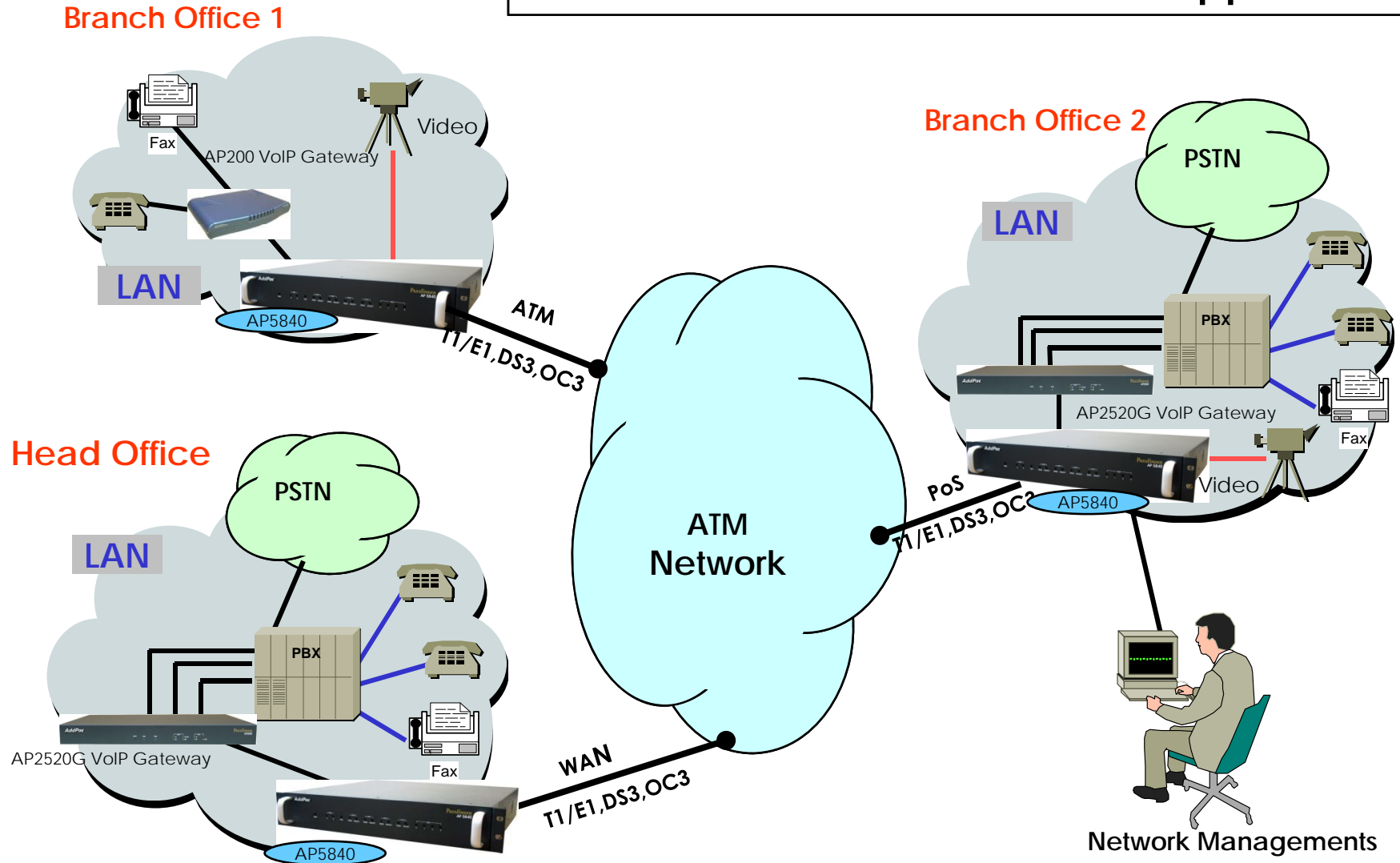
• 1 Channel Gigabit Ethernet Interface Module



• 2 Channel Gigabit Ethernet Interface Module

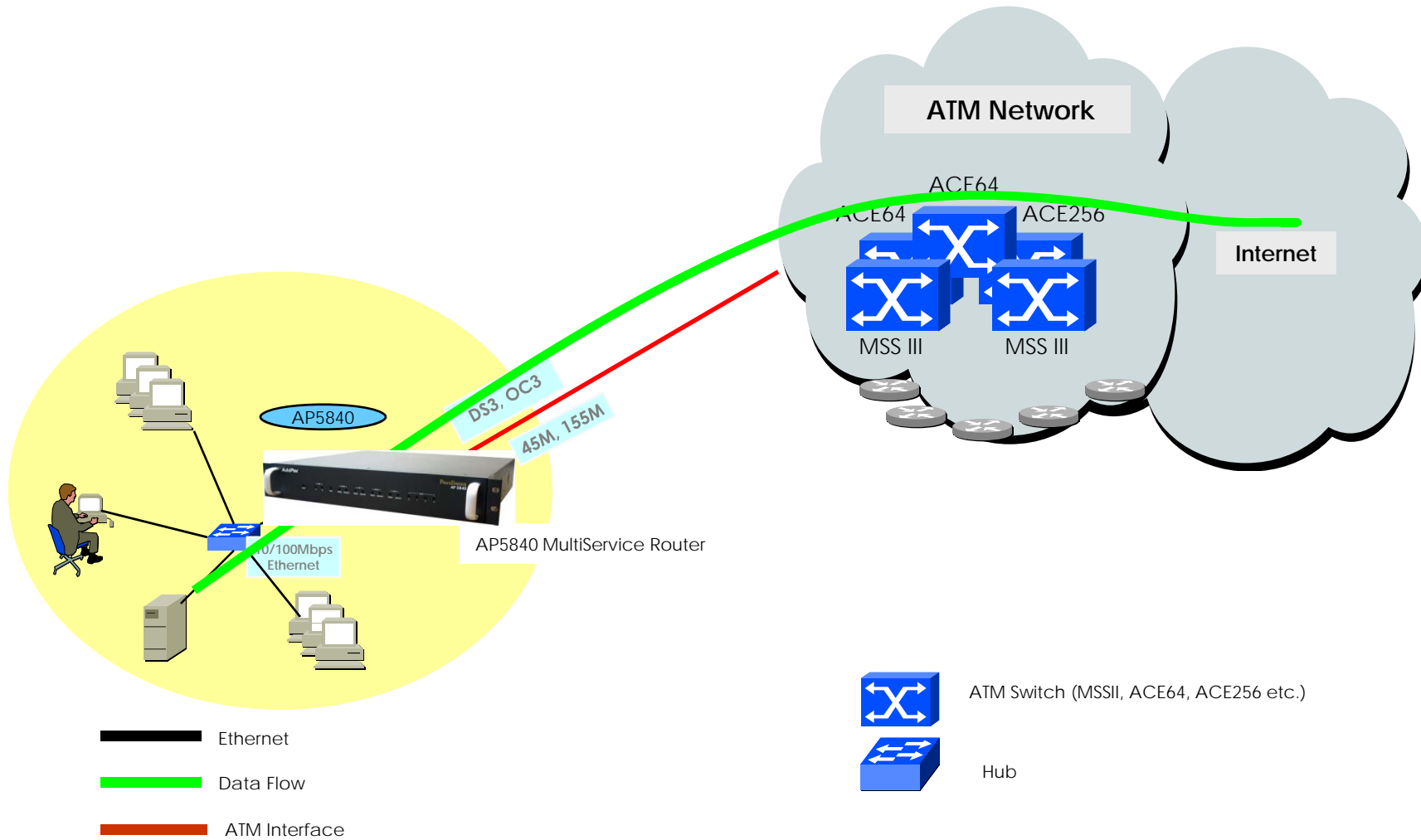
AP5840 Networking Configuration

ATM Multi-Service and Router Application



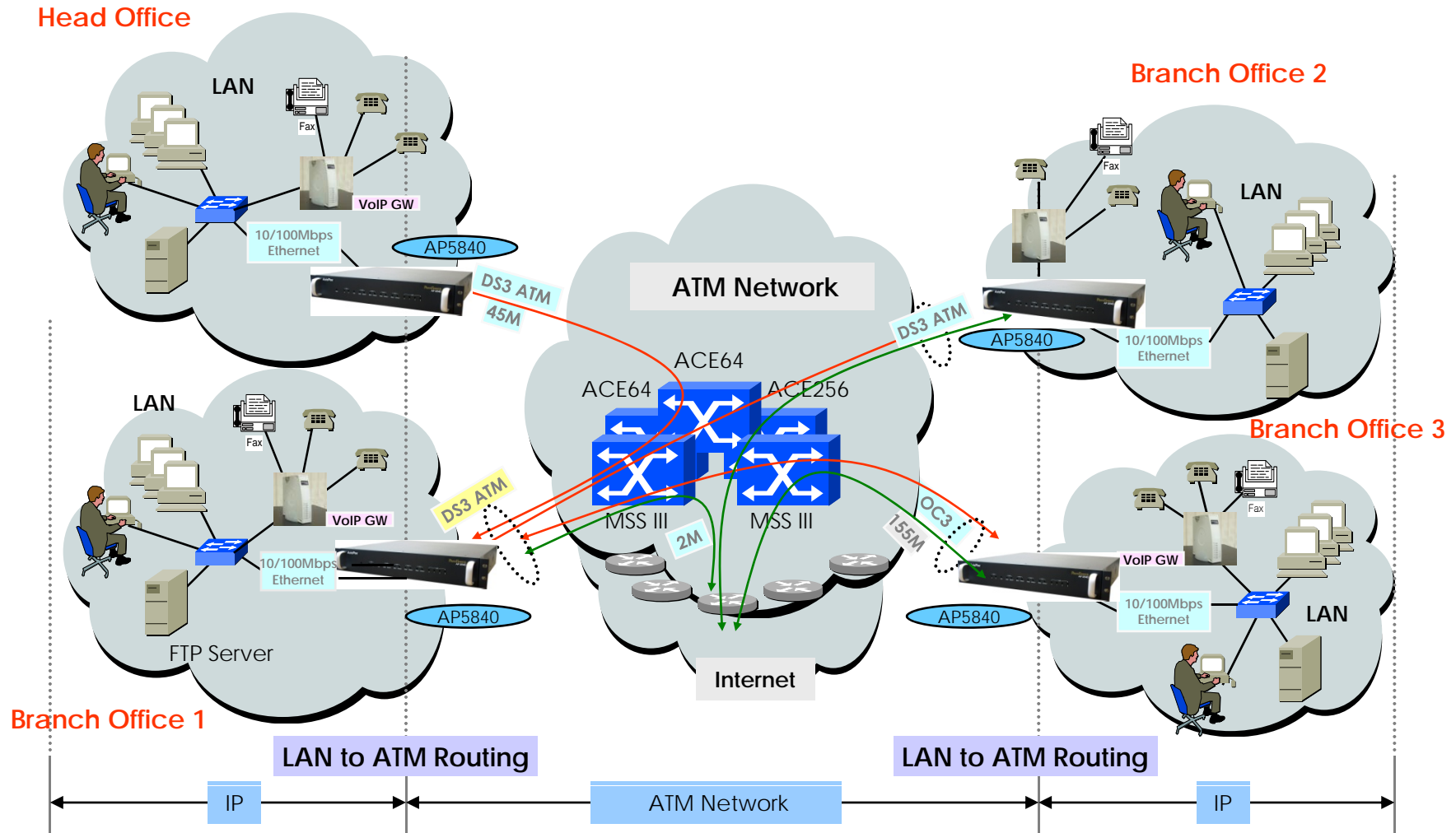
AP5840 Networking Configuration

ATM Data Service



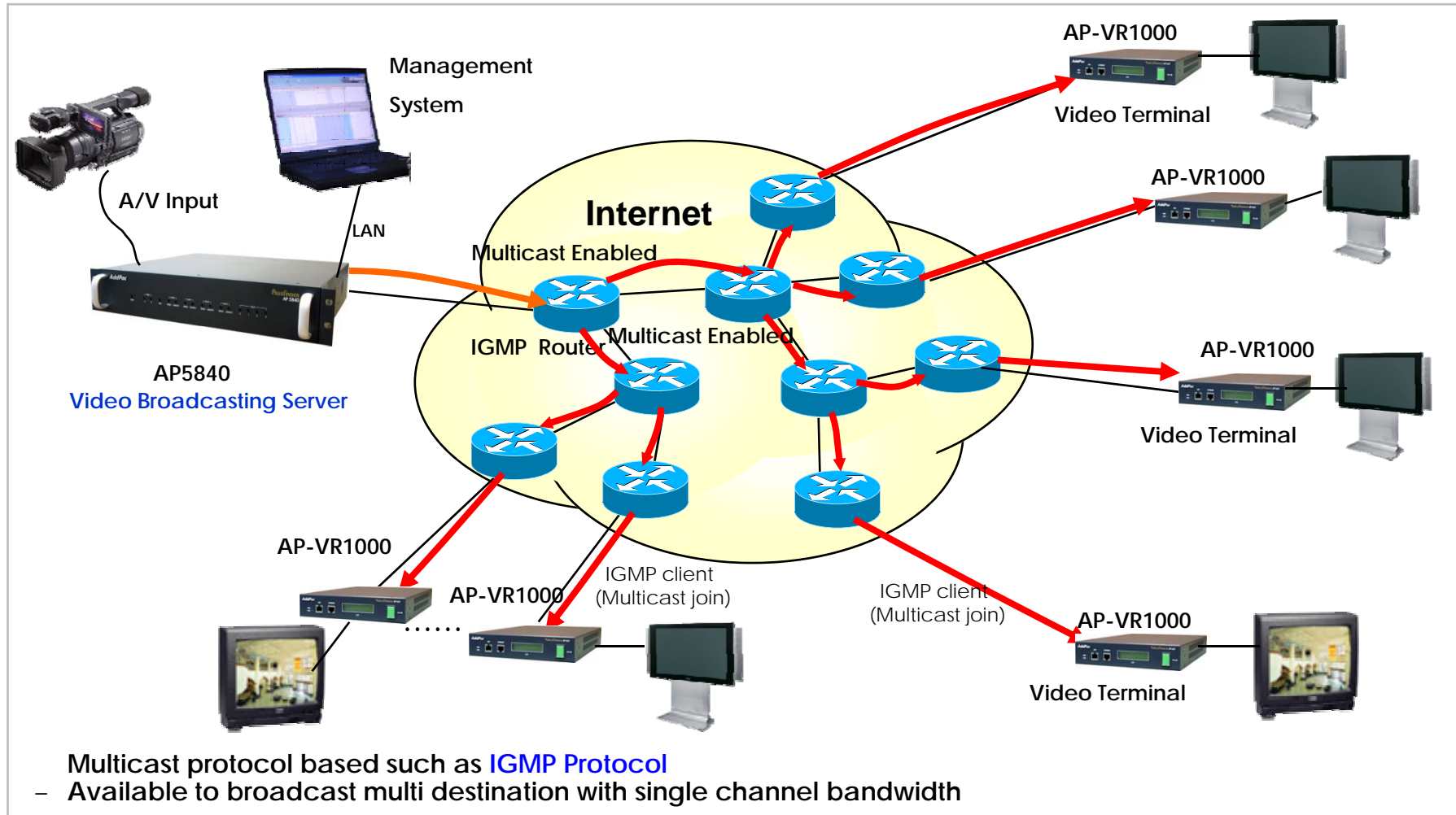
AP5840 Networking Configuration

ATM Router Application



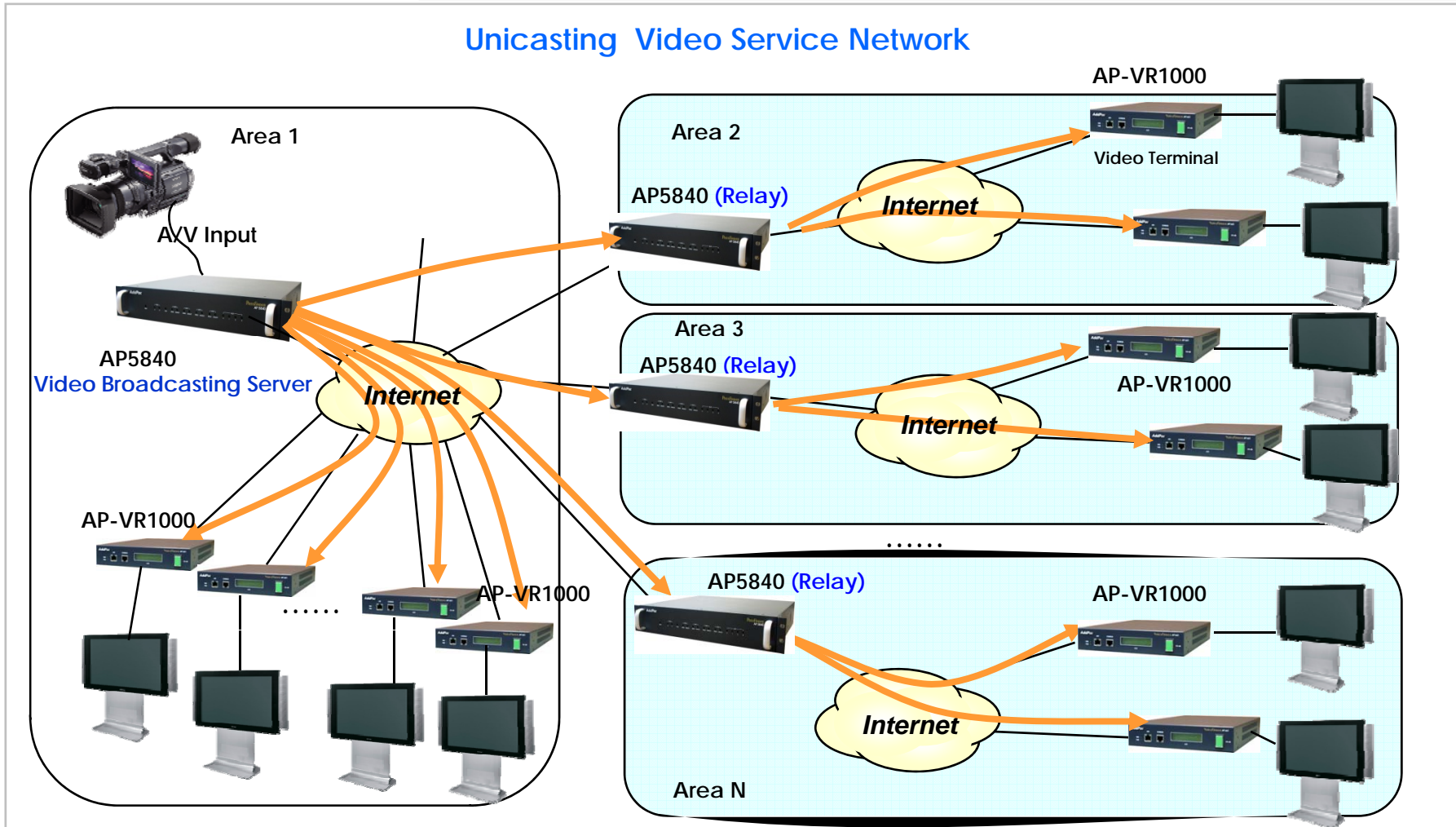
AP5840 Networking Configuration

Multicast Video Service Application



AP5840 Networking Configuration

Unicast Video Broadcasting Network



AP5840 Multiservice Router Product Overview

AP5840 Ordering and Pricing

- **AP5840 Multiservice Router Series**

- Order No:

- AP5840-01 : AP5840 Multiservice Router Standard Configuration

- Hardware**

- High-speed High-End RISC CPU
 - Four(4) High-performance Network Module Slots for ATM, WAN, PoS, Video Interface
 - Four(4) Ports 10/100Mbps Fast Ethernet (RJ45)
 - One(1) port Async Serial Console Interface (RJ45)
 - 256MB Flash, 512MB SDRAM
 - Built-in APOS Internetworking Software
 - Dual-Power Supply Unit/AC Input(Free Voltage)
 - 1.5Ux19" Rack Mountable Chassis
 - Including CAB-LAN, CAB-CON

- CAB-LAN : RJ45 Ethernet Cable

- CAB-CON : RJ45 RS-232C Console Cable



- **Pricing**

- AddPac Technology Regional Sales Managers
 - Authorized Sales and Marketing Representatives
 - Please Contact www.addpac.com

Thank you !

www.addpac.com