

Contents

- Product Overview
- Product Highlight
- Hardware Specification
- IVR Service Features
- VoIP Service Features
- Remote Broadcasting Network Diagram
- Signal Flow
- Ordering Information

Product Overview

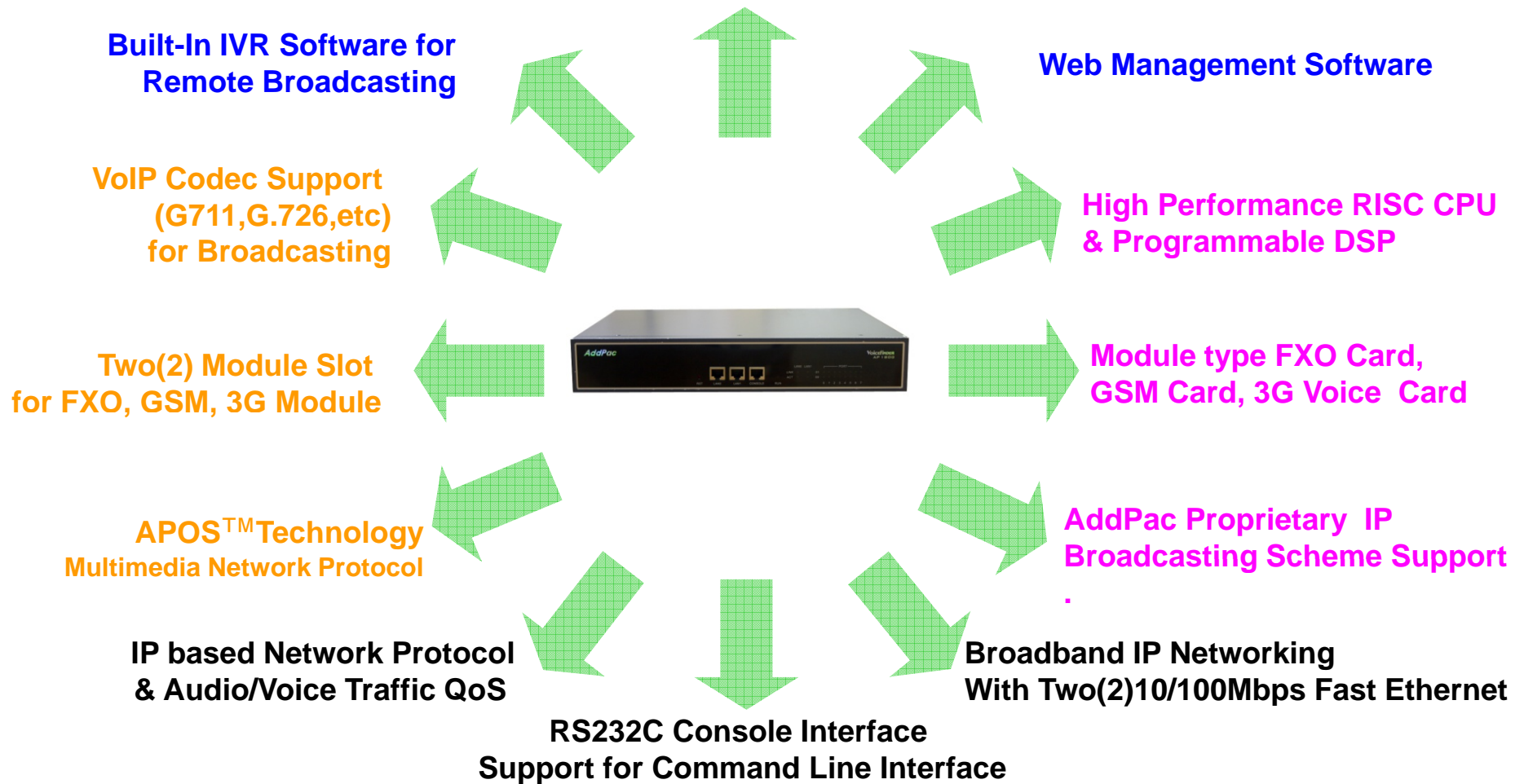
AP1800RBC Remote Broadcasting Controller

- High Performance Remote Broadcasting Controller Solution for Mobile Phone, PSTN Phone, etc.
- FXO Analog Interface Support
- Optional 3G Voice Module Interface Support
- Two(2) Module Slot for Analog, Mobile Voice Interface
- RTP (Real-time Transport Protocol) Support for Media Transmission
- Built-In IVR Software for Remote Broadcasting
- Volume Control
- VoIP Codec Support (G.711, G.726, etc)
- Firmware Upgradeable Architecture
- Broadcasting Solution with Outstanding Network Service Capability

Product Highlights

AP1800RBC Remote Broadcasting Controller

Remote Broadcasting Controller Solution



Hardware Specification

AP1800RBC Remote Broadcasting Controller

RISC
CPU

High-end
DSP

- **RISC Microprocessor Computing Power**
- **Up to 16 Port Analog VoIP Gateway**
- **Two(2) VoIP Module Slots (Hot-Swap)**
 - 8-Port FXO Card, 4-Port GSM Card, 4-Port 3G Card
- **Network Interface**
 - Two(2) 10/100Mbps Fast Ethernet (RJ45)
- **RS232C Console Interface**
- **Run LED, LAN LED, Port LEDs**
- **Internal Power Supply**

Hardware Specification

AP1800RBC Remote Broadcasting Controller

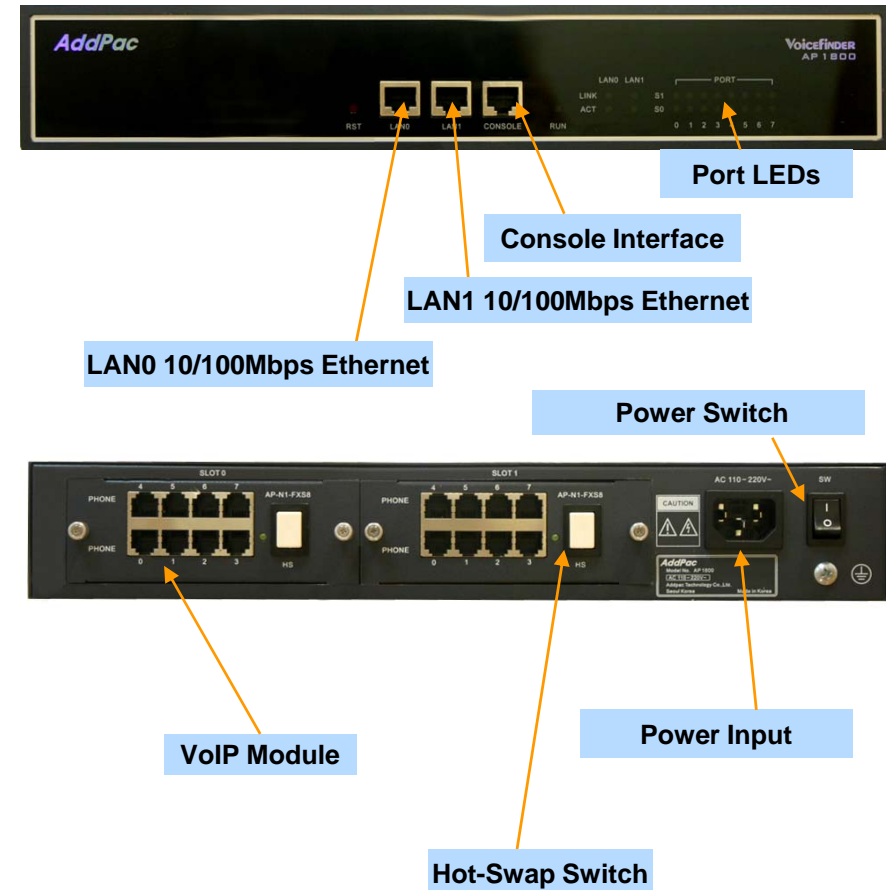
RISC
CPU

High-end
DSP

Hardware Specifications

AP1800 RBC	Basic Specifications
Voice Interface	Two(2) VoIP Module Slots AP-N1-FXO8, AP-N1-3G4, AP-N1-GSM4, etc
Ethernet Interface	2-Ports 10/100Mbps Ethernet Interface(RJ-45)
Flash Memory	4Mbyte High-speed Flash Memory
Base Memory	32 Mbyte High-speed SDRAM
Power Requirement	Power Supply Adaptor / VAC 110~220V, 50/60Hz,
Operating Temperature	0°C ~ 45°C (32 °F ~ 122°F)
Storage Temperature	-40°C ~ 85°C (-40°C ~ 185°F)
Relative Humidity	5% ~ 95% (Non-condensing)

Network interface Configurations

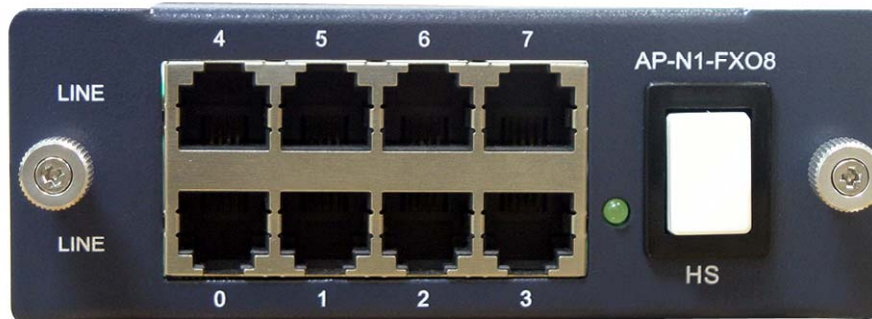


Hardware Specification

AP1800RBC Remote Broadcasting Controller

RISC
CPU

High-end
DSP



**AP-N1-FXS08
(8-Port FXO Module)**

Hardware Specification

AP1800RBC Remote Broadcasting Controller

RISC
CPU

High-end
DSP



**AP-N1-GSM4
(4-Port GSM Module)**

Hardware Specification

AP1800RBC Remote Broadcasting Controller

RISC
CPU

High-end
DSP



**AP-N1-3G4
(4-Port 3G Voice Module)**

IVR Service Features

AP1800RBC Remote Broadcasting Controller

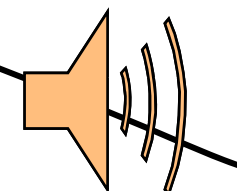
- Support built-in broadcasting IVR
 - Password scenario for security
 - Broadcasting scenario for selecting a broadcasting group
 - MENT files are registered by operator
 - MENT file format : WAV(g711u, mono, 8K sampling)
 - MENT file support up to 128K
- Etc
 - Support broadcasting log (up to 500)
 - Support volume control

VoIP Service Features

AP1800RBC Remote Broadcasting Controller

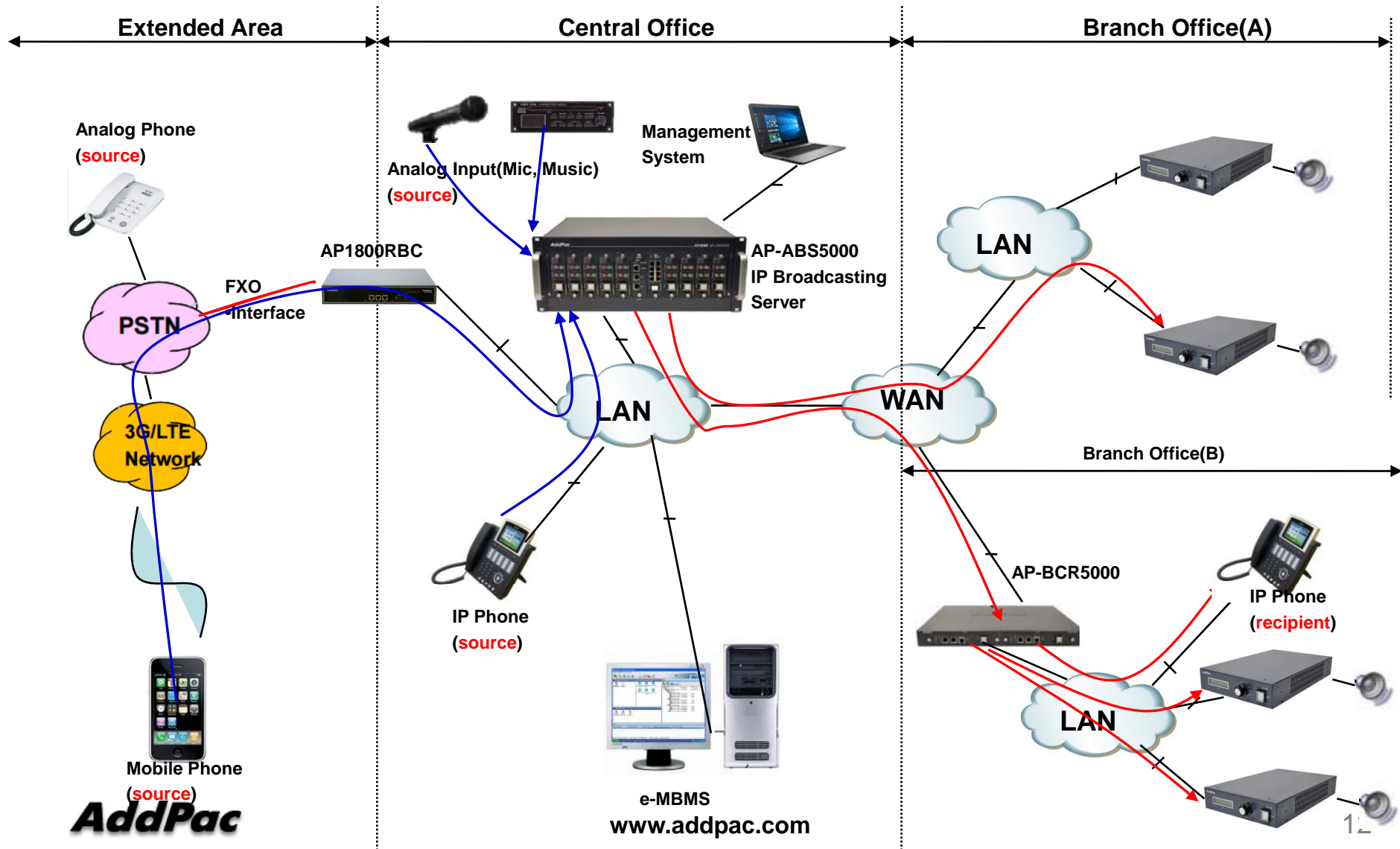
- Voice Codec
 - G.711 A-Law, G.711 U-Law
 - G.726 r16, G.726 r32
 - G.729A
 - G.723.1 r63, G.723.1 r53
 - VAD (Voice Activity Detection) function support
 - DTMF relay support (H.323, SIP, MGCP common) based on RFC2833
- RTP Protocols
 - Redundant RTP packet transmission in case of severe packet loss
 - Dynamic jitter buffer management and RTP packet jitter and loss compensation with heuristic & DSP error concealment
 - Static jitter buffer setting support
 - Voice frame per RTP packet number control for each codec

IP Broadcasting



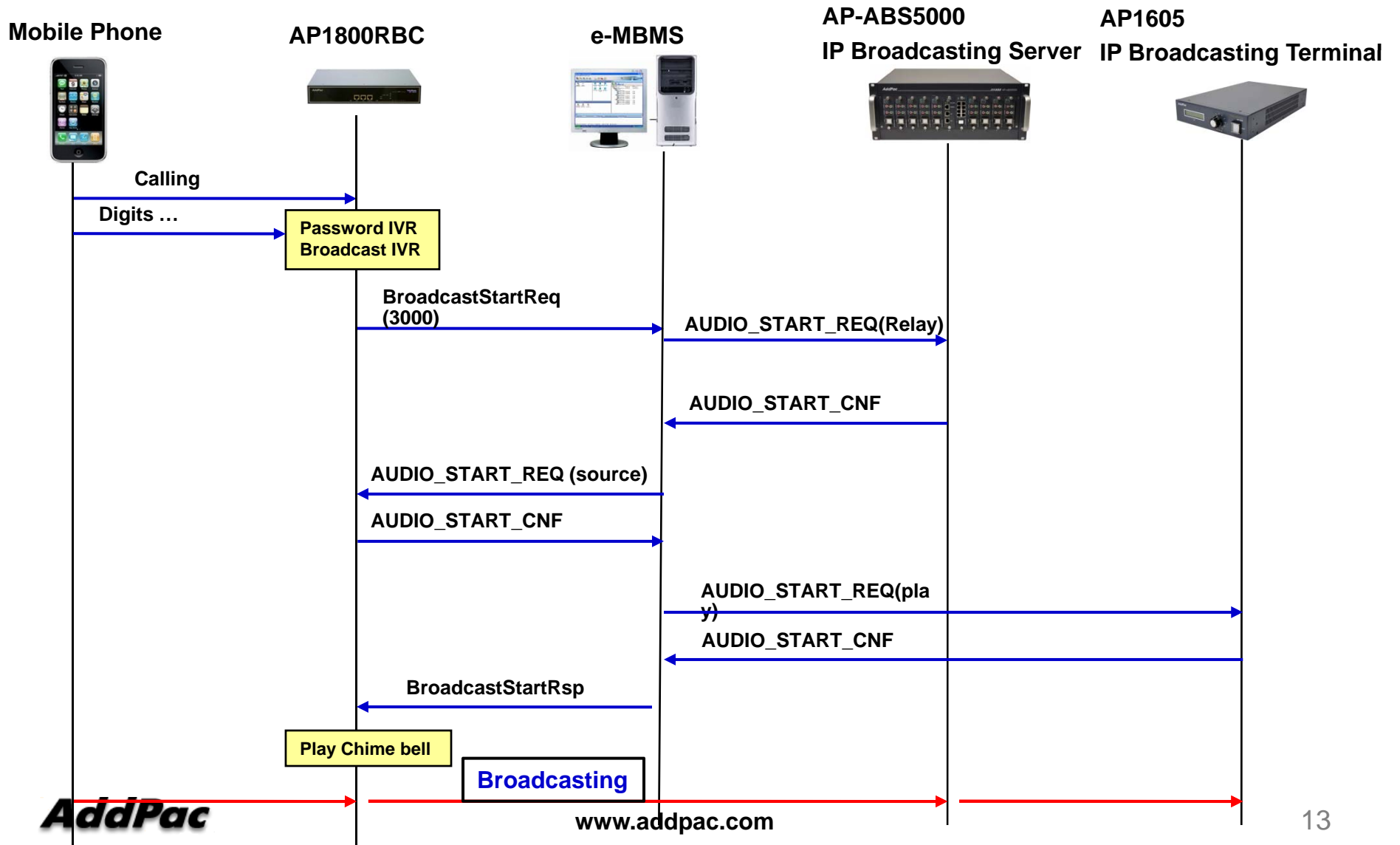
Network Diagram

AP1800RBC Remote Broadcasting Controller



Signaling Flow

AP1800RBC Remote Broadcasting Controller





WSMM Configuration for Remote Broadcasting

(WSMM : Web based Smart Multimedia Manager)

RBC configuration

AP1800RBC Remote Broadcasting Controller

The screenshot shows the configuration interface for the AP1800RBC Remote Broadcasting Controller. The left sidebar contains menu items: System, Basic, Advanced (with sub-items: Port Control, Fax, Service, Filtering, SNMP, RBC), and Miscellaneous (with sub-items: Port & Call Status, System Status). The main area is titled 'Remote Broadcast Controller' and contains three sections: 'RBC Configuration', 'MENT File Registration', and 'Broadcast Scenario'. The 'RBC Configuration' section includes fields for IP (172.16.1.19), port (8089), Broadcast Server ID (1000), password (masked), IVR Password (masked), and Volume (5). The 'MENT File Registration' section includes fields for Password Scenario (Input Password: pw1.wav, Time Over: pw3.wav, Wrong Password: pw3.wav, Too Many Fails: pw3.wav) and Broadcast Scenario (Input Group Number: pw3.wav, Time Over: pw3.wav, Wrong Password: start3.wav, Too Many Fails: start4.wav, Abnormal Server: start5.wav, Start Now: chimebell.wav). Callout boxes provide details for the RBC, File format, and Built-in Password authentication IVR sections.

RBC

- server ip, port, identifier, password
- Volume
- IVR Password
- Show connection status

File format

- G.711u
- Mono
- 8K sampling
- WAV form
- Under 128K
- Dir = '/hd/ment'

Built-in Password authentication IVR

- Input 4-digits password
- timer over, retry
- wrong password
- too many fails, call is disconnected

Broadcasting Log

AP1800RBC Remote Broadcasting Controller

Smart Web Manager
www.addpac.com

System +

Basic +

Advanced +

Miscellaneous -

- Port & Call Status
- System Status
- Call Log
- System Log
- **Broadcast Log**
- Test Call
- Ping

Broadcast Log

Port	Grp	Start Time	Dur (sec)
0/4/0	5001	2016/01/01 01:26:21	5
0/4/0	5001	2016/01/01 01:25:05	9
0/4/0	5001	2016/01/01 01:24:41	7
0/4/0	5001	2016/01/01 01:24:23	6
0/4/0	5001	2016/01/01 00:02:47	17
0/4/0	5001	2016/01/01 00:01:05	14
0/4/0	5001	2016/01/01 00:00:22	30

Broadcasting Log

- Port
- Group Number
- Start time
- Duration

Ordering Information

- **AP1800RBC Remote Broadcasting Controller**
 - AP1800RBC Main Body
 - RISC Microprocessor with High-end Programmable DSP Architecture
 - Two(2) Module Slot
 - Option : AP-N1-FXO8 Module , AP-N1-3G4, AP-N1-GSM4 Module
 - Including Network Cable Set & Power Supply, etc.
- **Built-in APOS Internetworking Software for AP1800RBC**
- **Including 1 Year Hardware Warranty**
- **Product Documents**
 - Install and Operation Guide (PDF)
- **Pricing**
 - AddPac Technology Regional Sales Manager
 - Authorized Sales and Marketing Representatives
 - Please Contact www.addpac.com



Thank you!

AddPac Technology Co., Ltd.
Sales and Marketing

Phone +82.2.568.3848 (KOREA)

FAX +82.2.568.3847 (KOREA)

E-mail sales@addpac.com