

# IPNext 3000™ NGN IP-PBX

High-performance Next Generation IP-PBX Solution

## Preliminary Product Overview

(Without notice, following described technical spec. can be changed)



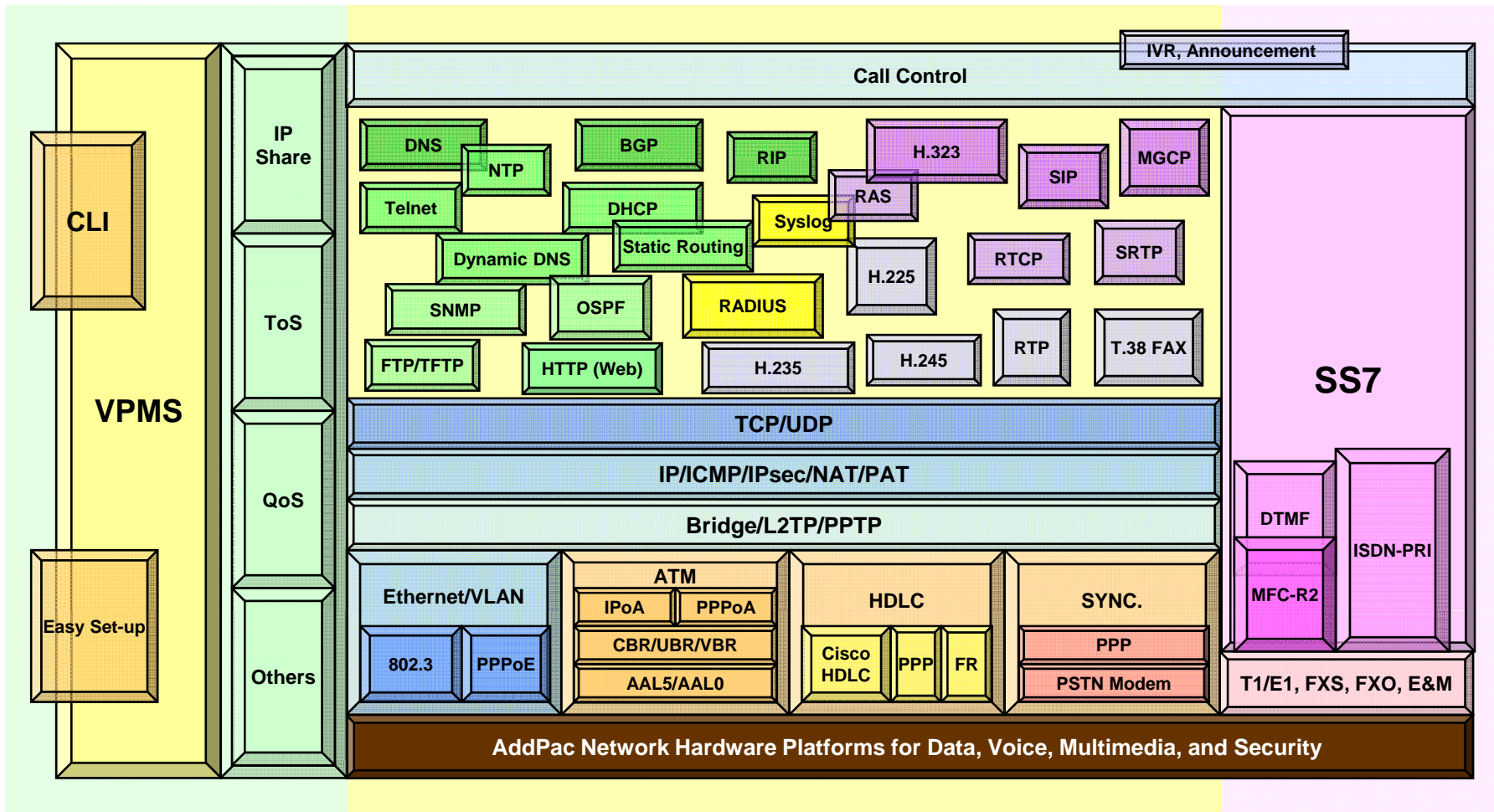
# AddPac

AddPac Technology

2008, Sales and Marketing



# APOS Internetworking Protocol



# Contents

- Product Overview
- Hardware Specification
- System Redundancy Features
- Multimedia Service
- Software Service
- Network Service and Features
- User Terminals
- Application Area
- Ordering Information





# Product Overview

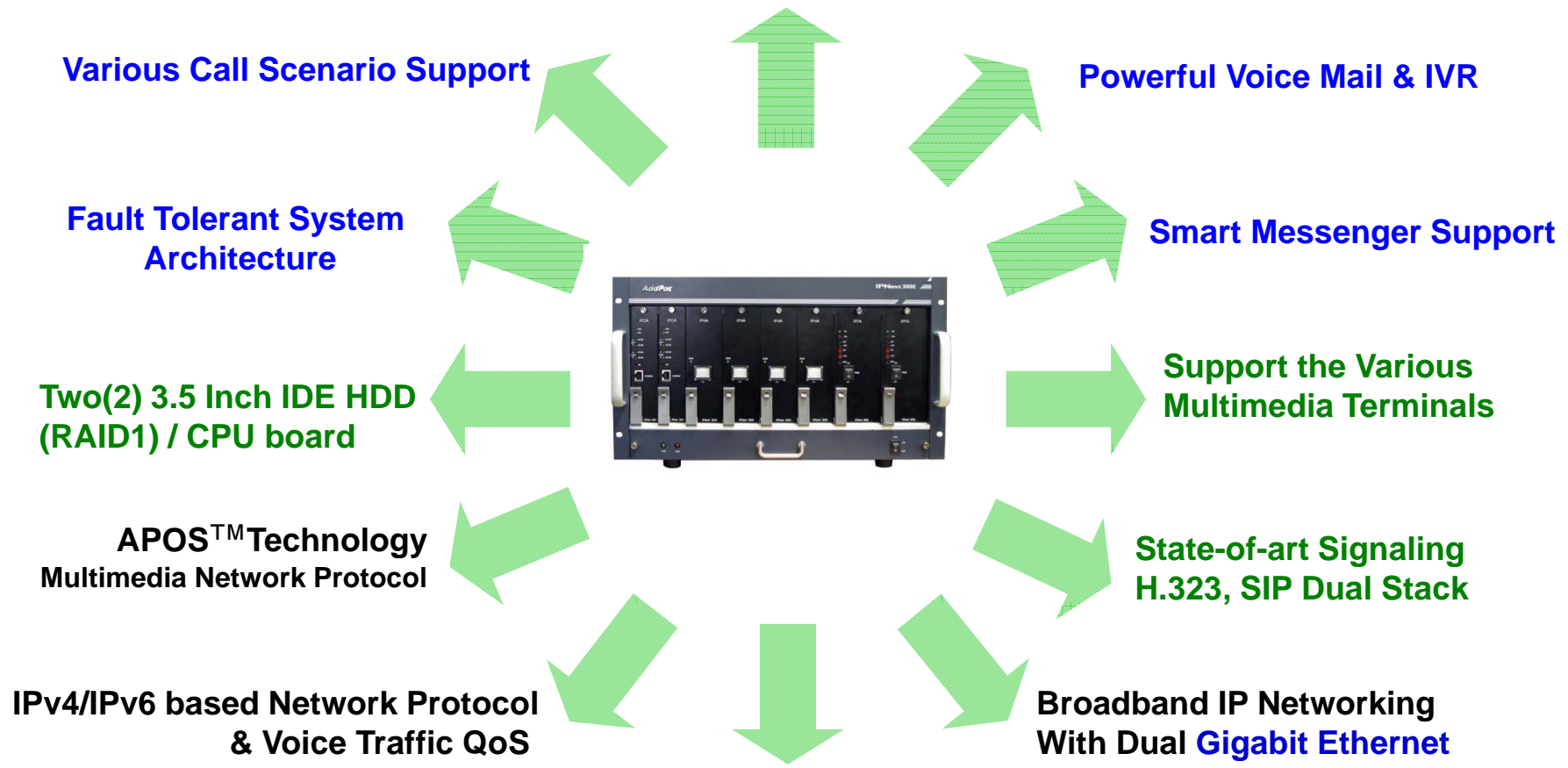
## IPNext3000 Next Generation IP-PBX

- IP based Advanced PBX Solution
- IPv4/IPv6 based Dual Network Protocol Support
- Internal/External RTP Proxy Function Support
  - External RTP Proxy Server for Private Address : AP-RS2000
- Internal/External Presence Function Support with Smart Messenger
  - External Presence Server : AP-PS2000
- Powerful Management and User Friendly Features
- Fault Tolerant and Scalability Architecture
- High-performance Video, Audio, and Voice Service
- Firmware Upgradeable Architecture
- Dual System Redundancy Architecture
  - Two(2) 3.5 Inch Hard Disk (RAID 1) / System
  - Two(2) Gigabit Ethernet Interface / System
- Dual Redundancy Power Module

# Product Highlights

IPNext3000 Next Generation IP-PBX

## IP based Advanced IP-PBX



**AddPac**

[www.addpac.com](http://www.addpac.com)

# Hardware Specification

IPNext3000 Next Generation IP-PBX

A square logo with a dark blue background and a white border. The text "RISC" is positioned above "CPU" in white, sans-serif font.

RISC  
CPU

- **64bit High-End Microprocessor Computing Power**
- **Main Chassis**
  - **Dual Redundancy CPU Boards for System Fault Tolerant**
    - Two(2) 10/100Mbps Gigabit Ethernet
    - One(1) RS-232C Console (RJ45)
    - Two(2) 3.5 Inch Hard Disk Interface Slot (RAID 1)
  - **Dual Redundancy Power Supply Module**
  - **Hot-Swap Features**

# Hardware Specification

IPNext3000 Next Generation IP-PBX



## IPNext 3000 Front Side



CPU Board  
(Hot-Swap)

Dual 3.5 Inch  
HDD Disks(RAID1)  
: Hot-Swap

**AddPac**

FAN Tray for Air Cooling

[www.addpac.com](http://www.addpac.com)

Power On/Off Switch  
for System

Dual Power Supply  
Modules  
(Hot-Swap)

Power On/Off Switch  
for FAN Tray

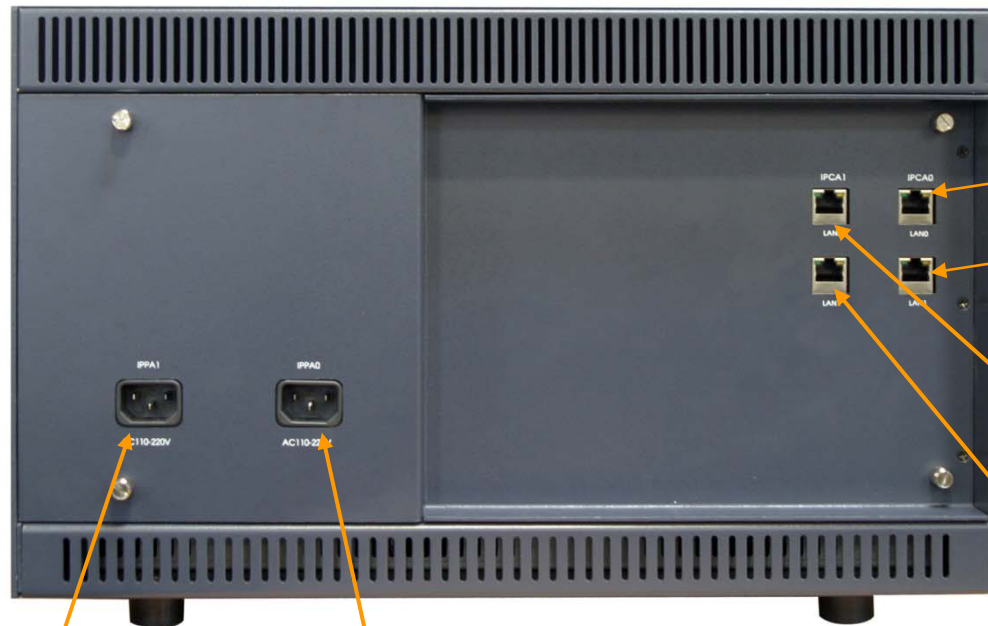


# Hardware Specification

IPNext3000 Next Generation IP-PBX



## IPNext 3000 Back Side



LAN0 for Active CPU

LAN1 for Active CPU

LAN0 for Standby CPU

LAN1 for Standby CPU

Plug for PSU Module B

Plug for PSU Module A

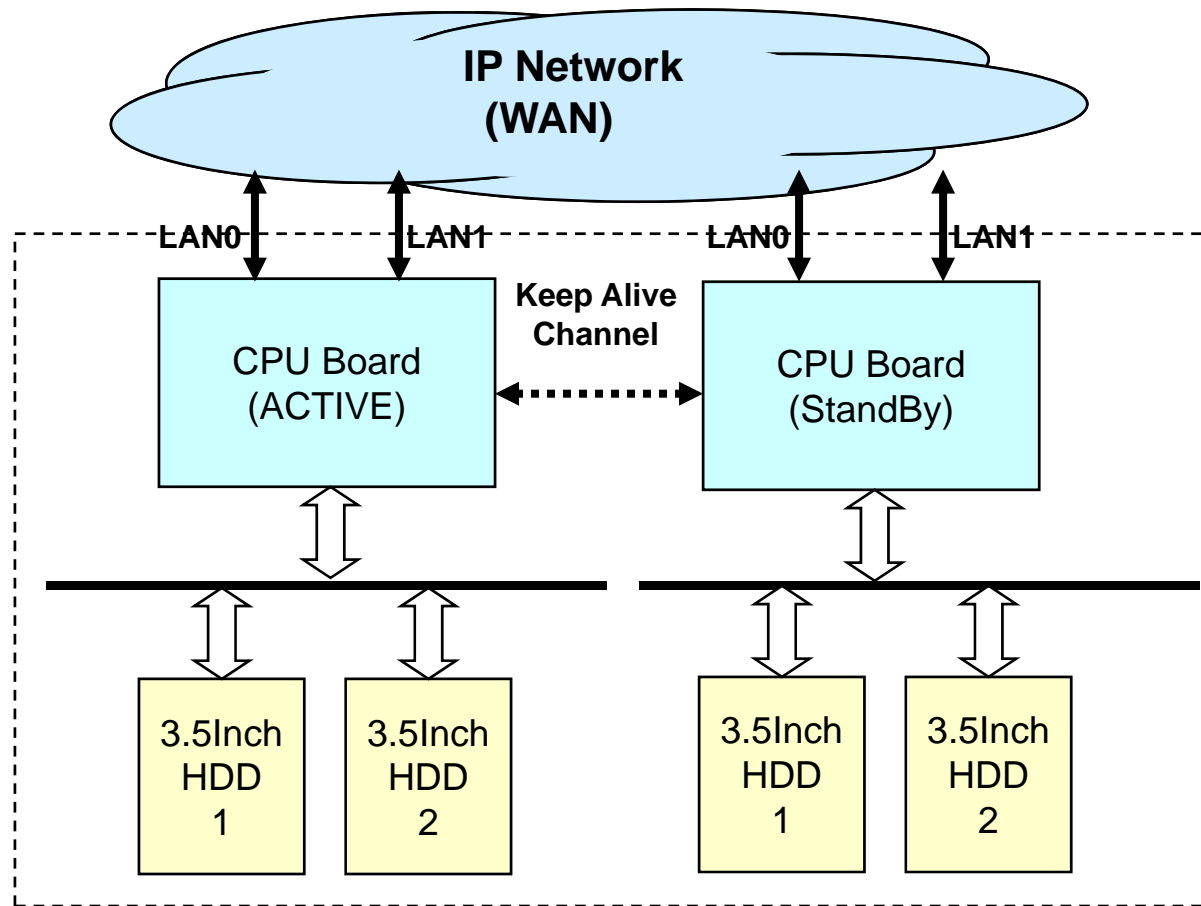
**AddPac**

[www.addpac.com](http://www.addpac.com)

# System Redundancy Features

IPNext3000 Next Generation IP-PBX

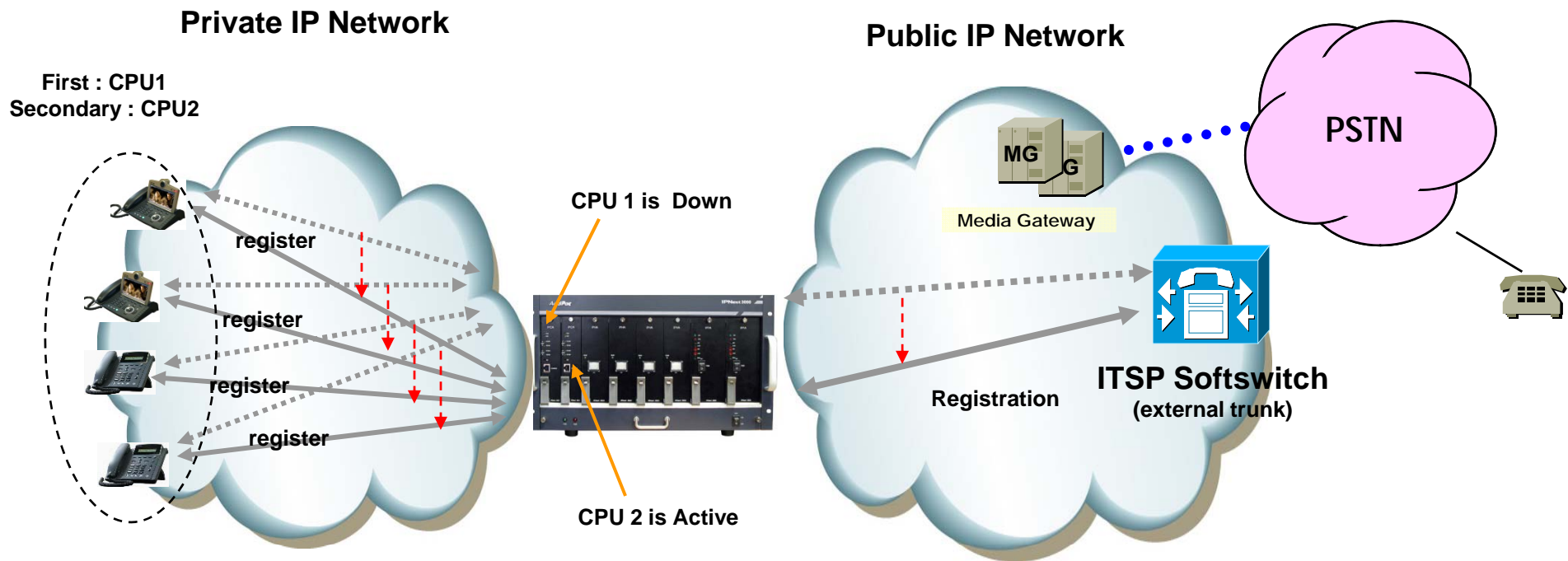
IPNext3000 System Block Diagram



# System Redundancy Features

IPNext3000 Next Generation IP-PBX

- Active– Active Duplication Scheme
- Active – Standby Duplication Scheme
- VRRP based Duplication Scheme



Active – Standby Duplication Scheme (example)

# Software Service

IPNext3000 Next Generation IP-PBX

- **Built-in AddPac APOS Internetworking Software**

- Scalability, Functionality, and Stability Features
- Advanced IP-PBX Call Manager Features
- QoS Control Features

- **Programmable Video, Audio, and Voice Services**

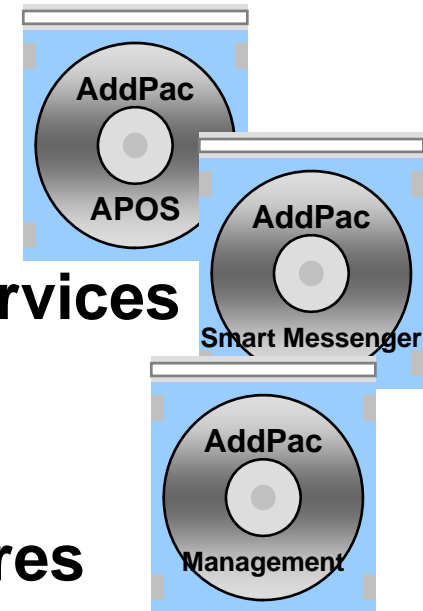
- Audio, Video and Voice Codec

- **Firmware Upgradeable Architecture**

- **Industry Standard Network Protocol Features**

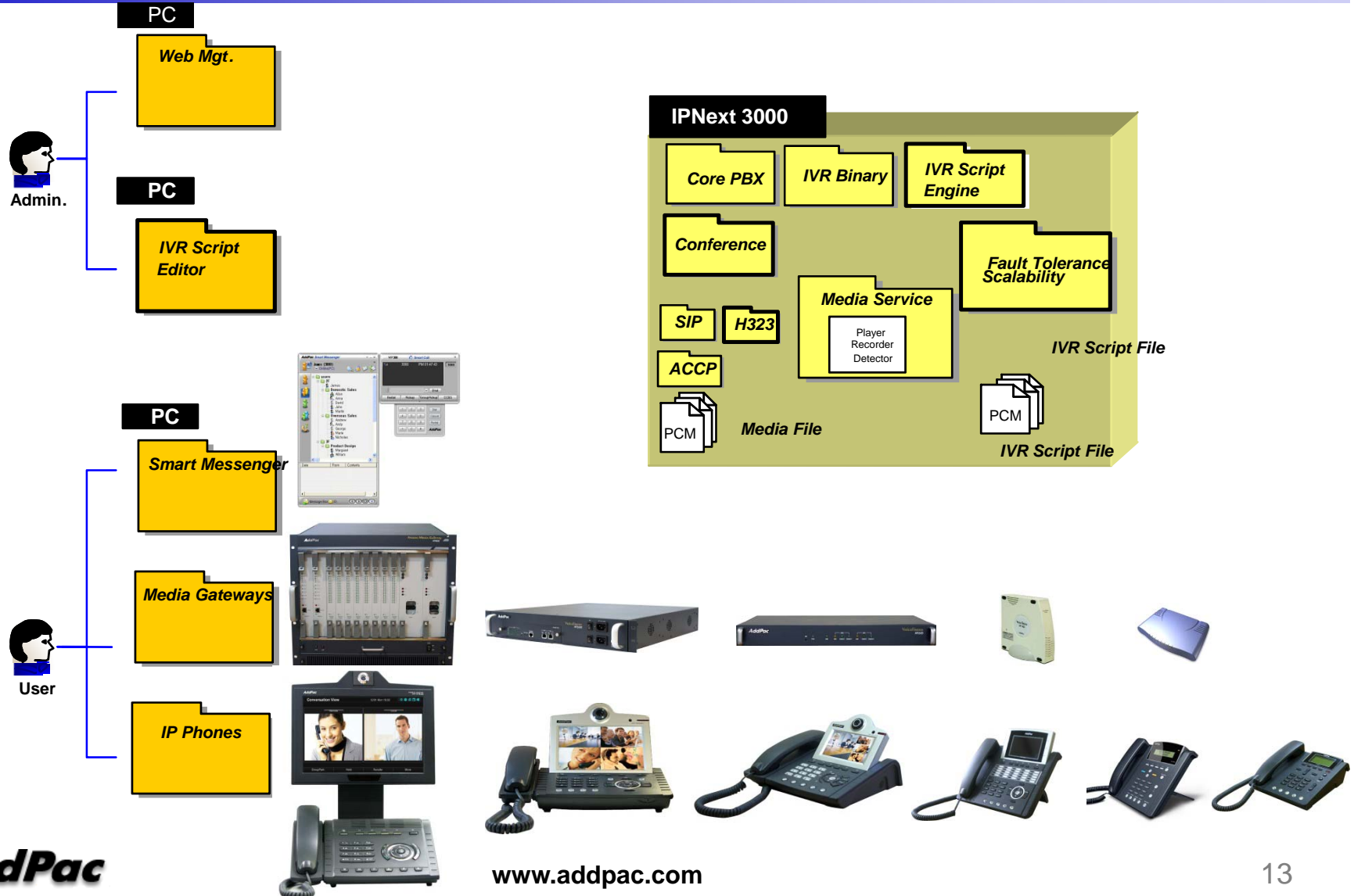
- **Highly User Friendly Management Features**

- PC based Smart Messenger
- Smart Multimedia Manager for Operation & Management



# IP-PBX Software Components

IPNext3000 Next Generation IP-PBX





# Telephony Service and Features

## IPNext3000 Next Generation IP-PBX

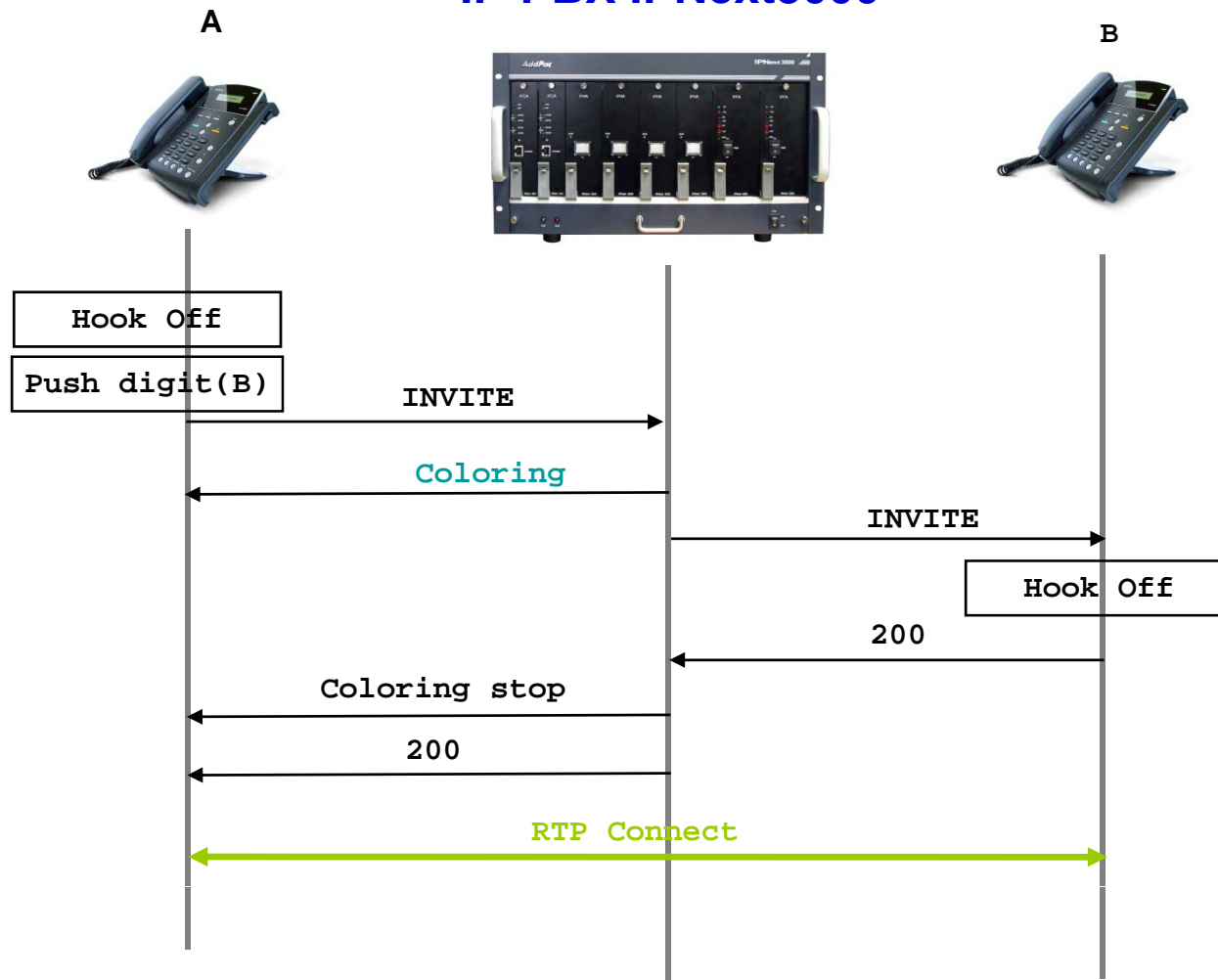
- Basic Call
- Coloring Service
- Music On Hold
- Blind Transfer
- Call Pickup
- Group Call Pickup
- Consult Call
- Switching Call
- Consult Transfer
- Call Waiting
- Call Park
- Call Pickup Remote
- Hunt Group
- etc



# SIP based Basic Call Scenario

IPNext3000 Next Generation IP-PBX

## IP-PBX IPNext3000



# Network Service and Features

IPNext3000 Next Generation IP-PBX

## **Basic Network Protocols**

- ARP, IP, IPv6, TCP, UDP, ICMP, ICMPv6, SCTP, IGMP, MLD

## **Routing Protocol**

- IPv4 : Static
- IPv6 : Static

## **Service Protocol**

- FTP, Telnet, TFTP, DHCP Server/Relay, SNMP Server
- CDP (Cisco Discovery Protocol)
- DNS Resolver , DDNS(nsupdate)
- Bridge
- Syslog
- IP/IPv6 policy control (QoS)
- VPDN (Virtual Private Dial-up Network : L2TP Server)

# Network Service and Features

IPNext3000 Next Generation IP-PBX

## **IPv4/IPv6 Interworking**

- NAT/PAT for IPv4
- IP connect (formerly ip-share) and device cascade for IPv4
- IP/IP, IP/GRE tunneling
- NAT-PT
- 6to4, Autoconfig tunneling

## **IPv4 Address Configuration**

- Fixed (Static)
- DHCP
- PPPoE

## **IPv6 Address Configuration**

- Fixed (Static)
- EUI-64
- Autoconfig (Neighbor Advertisement and Solicitation)

# Network Service and Features

IPNext3000 Next Generation IP-PBX

## **Miscellaneous**

- Cisco Style CLI
- Standard & Extended IPv4/IPv6 Access List
- Multi-level User Account Management
- IP accounting
- fsh (Embedded file system shell)
- STUN Client



# Network Service and Features

IPNext3000 Next Generation IP-PBX

## **SNMP MIBs**

- MIB-II
- RMON MIBs (Statistics, History, Alarm, Hosts Group)
- RFC2465 Management Information Base for IP Version 6: Textual Conventions and General Group
- RFC2466 Management Information Base for IP Version 6: ICMPv6 Group
- RFC2452 IP Version 6 Management Information Base for the Transmission Control Protocol
- RFC2454 IP Version 6 Management Information Base for the User Datagram Protocol
- AddPac Enterprise MIBs
- etc

# IP based User Terminals

## IPNext3000 Next Generation IP-PBX

- AP-VP500 Video Phone
- AP-VP300 Video Phone
- AP-VP250 Video Phone
- AP-VP200 Video Phone
- AP-VP150 Video Phone
- AP-VP120 Video Phone
- AP-IP300 IP Phone
- AP-IP150 IP Phone
- AP-IP100 IP Phone
- Smart Messenger for Unified Communication
- Future Plan : AP-WP100 WiFi IP Phone

# AP-VP150 Video Phone

IPNext3000 Next Generation IP-PBX

- **4.3 Inch LCD Display**
- **External Video Interface**
  - Composite (RCA) Video Out, S-Video Out
- **External Audio In/Out**
- **High-performance Video Codec Support**
  - H.263, MPEG-4, JPEG, and H.264
- **Powerful Image Resolution Support**
  - QCIF(176x144), CIF(352x288), QVGA(320x240), and VGA(640x480)
- **Up to 30fps at 1Mbps with VGA-Resolution(MPEG-4)**
- **Video Conference Call Support (AddPac MCU Inter-working)**
- **SIP, H.323 Signaling Support**
- **Rate Control for Video Traffic QoS**
  - Ensuring Optimized Quality
  - Frame Rate with Limited Bandwidth
- **High-end Error Resilient Against Various Packet Error**



# AP-IP300 Premium IP Phone

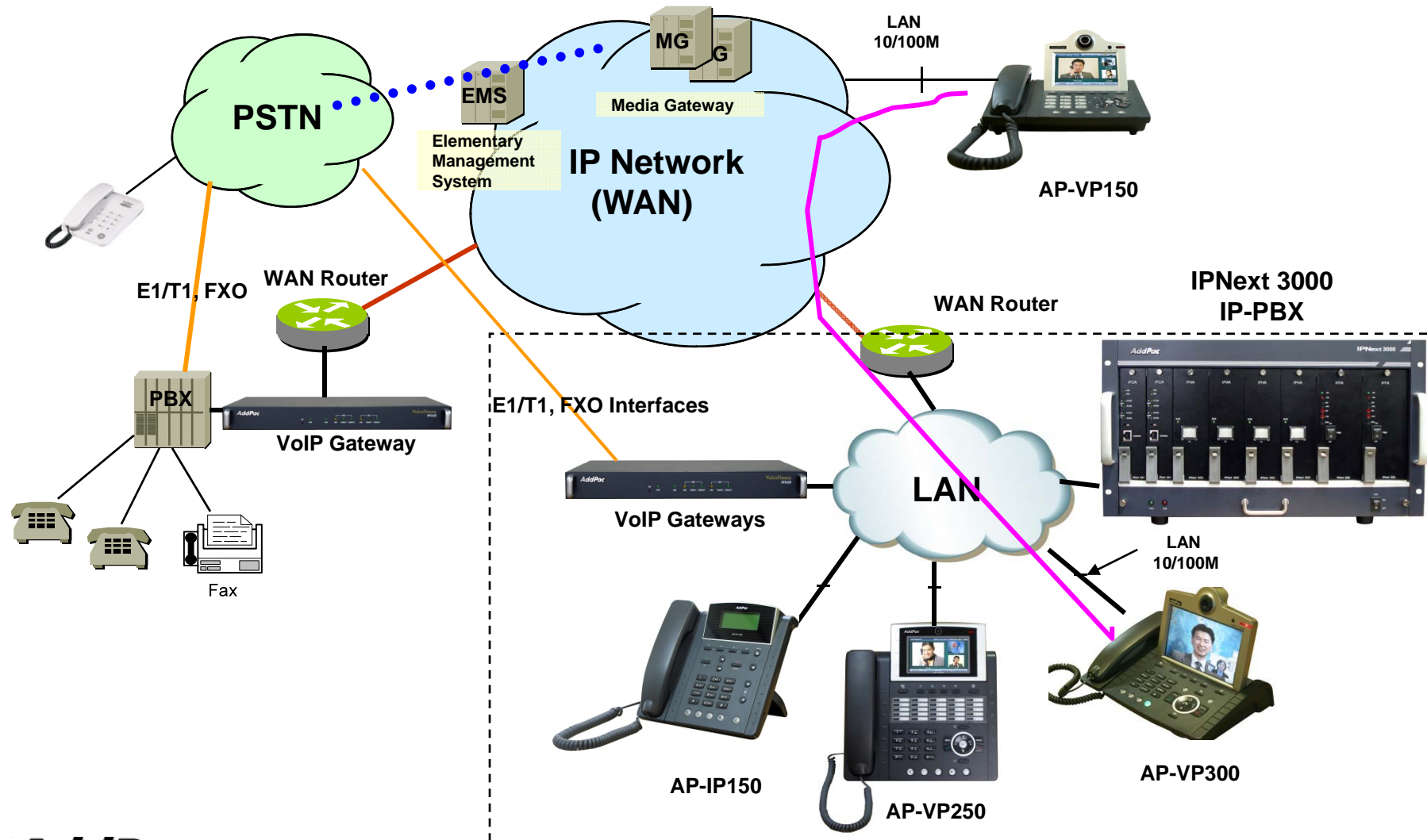
IPNext3000 Next Generation IP-PBX

- **LCD Window : 4.3 Inch High Quality Color LCD**
- **External I/O Interface**
  - Audio In/Out
  - Two(2) Fast Ethernet Interface
  - PSTN FXO Interface (option)
  - USB 1.1 Host Mode Interface
- **25 Speed Dial Key and Presence Indication LAMP**
- **Various Voice Codec Support**
  - G.711, G.726, G.729, G.723.1, etc
- **SIP, H.323 Signaling Support**
- **Traffic Control, IP Share**
- **IP Audio Broadcasting Support**



# Standard IP-PBX Application

IPNext 3000 Next Generation IP-PBX





# Ordering Information

- **IPNext 3000 Next Generation IP-PBX Hardware**
  - IPNext 3000 IP-PBX Main Body
  - High-performance 64bit RISC CPU
  - High-End 64bit CPU board (Hot-Swap)
  - 2-ports Gigabit Ethernet and 1-port RS-232C Console
  - RAID 1 Dual Hard Disk (3.5 Inch SATA 160 Giga, Extendable)
  - Including Network Cable Set & Ext. Power Supply, etc.
  - Power Supply Module (Hot-Swap)
  - Additional CPU board& RAID1 HDD for Fault Tolerant (option)
  - Additional Power Supply Module for Redundancy (option)
- **Built-in APOS Internetworking Software for IPNext 3000**
- **Including 1 Year Hardware Warranty**
- **Product Documents**
  - Install and Operation Guide (PDF)
- **Pricing**
  - AddPac Technology Regional Sales Manager
  - Authorized Sales and Marketing Representatives
  - Please Contact [www.addpac.com](http://www.addpac.com)

# IPNext3000 Next Generation IP-PBX

# Thank you!

**AddPac Technology Co., Ltd.**  
Sales and Marketing

Phone +82.2.568.3848 (KOREA)

FAX +82.2.568.3847 (KOREA)

E-mail [sales@addpac.com](mailto:sales@addpac.com)