



# AP-VP280G

## Gigabit Ethernet IP Video Phone

High Performance Next Generation IP Video Terminal Solution



SIP Video Door Attendant  
Terminal Service

**AddPac**

**AddPac Technology**

Sales and Marketing

[www.addpac.com](http://www.addpac.com)

# High Quality, High Resolution

AP-VP280G Gigabit Ethernet IP Video Phone



**AddPac**

[www.addpac.com](http://www.addpac.com)

# High Quality, High Resolution

AP-VP280G Gigabit Ethernet IP Video Phone

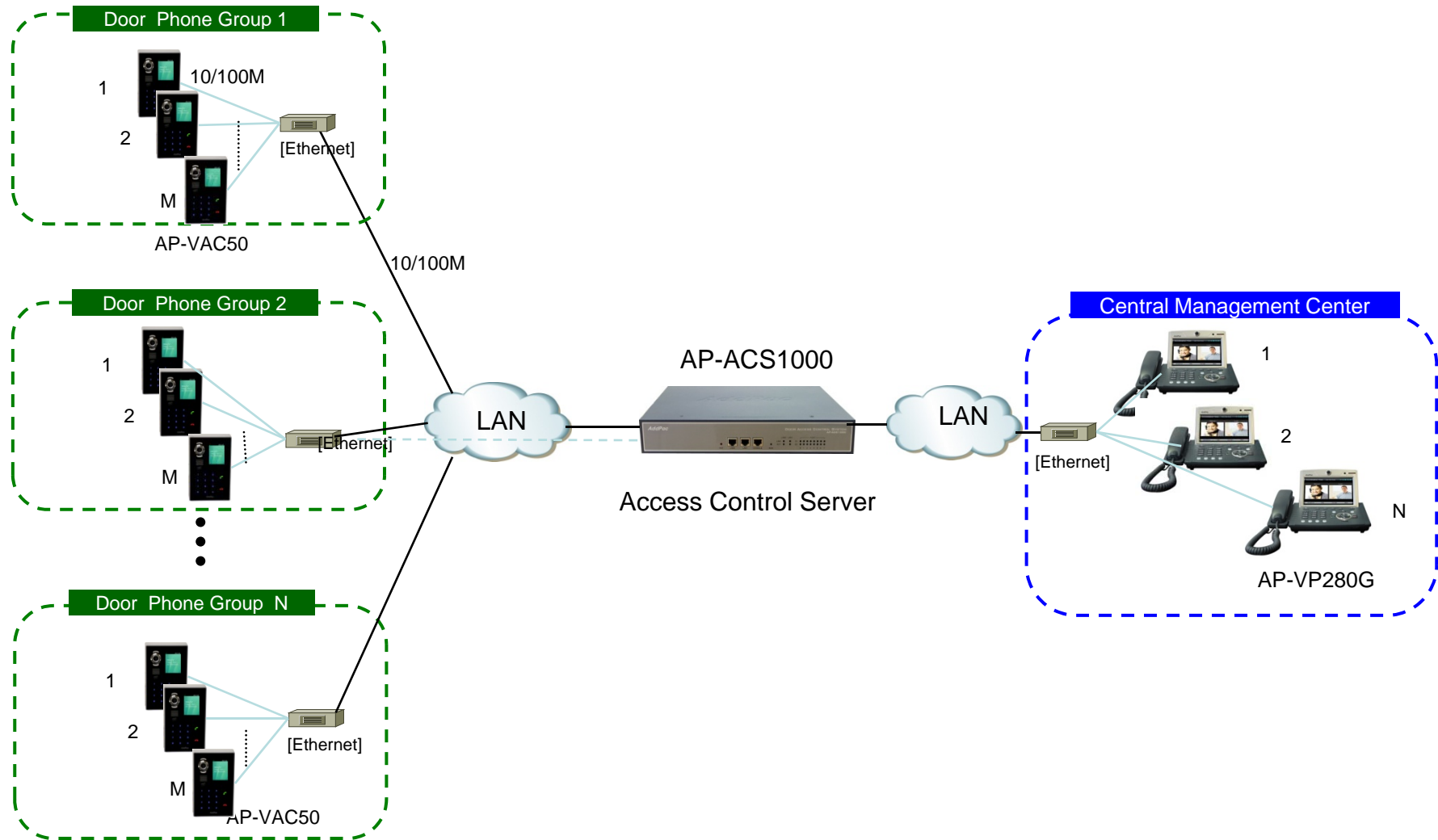


# Contents

- Network Diagram
- Product Overview
- Hardware Specification



# Network Diagram



# Product Overview

## AP-VP280G Gigabit Ethernet IP Video Phone

- IP based Video Phone Solution
- High-Quality Video, Audio, and Voice Service
- High Performance Programmable Video DSP
- Video Telephony and Videoconferencing Service Features
- H.323 and SIP Dual VoIP Signaling Protocols
- H.264/H.263/MPEG4 Video Codec Support
- Two(2) 10/100/1000Mbps Gigabit Ethernet
- HDMI Output Interface for External HDTV Display
- Various Call Scenario Support
- Call Status Monitoring Support
- XML Browser Support
- Firmware Upgradeable Architecture
- Video Solution with Outstanding Network Service Capability
- Audio/Video Privacy Protection

# Hardware Specification

AP-VP280G Gigabit Ethernet IP Video Phone

High-end  
DSP

- **High-end Programmable DSP Hardware Architecture**
- **Video Input Interface**
  - RCA Video Input
- **Video Output Interface**
  - RCA Video Output, **HDMI Video Output**
- **High quality Audio and Voice Interface**
  - Stereo Audio Input & Output Connector
- **Network Interface**
  - Two(2) 10/100/1000Mbps Gigabit Ethernet
  - One(1) RS-232C Console
  - One(1) USB Interface
- **PSTN Interface**
  - One(1) FXO(RJ11) interface (Option)
- **Power Supply**
  - External Power Adaptor
  - PoE (Power over Ethernet) : Option



# Hardware Specification

AP-VP280G Gigabit Ethernet IP Video Phone

High-end  
**DSP**

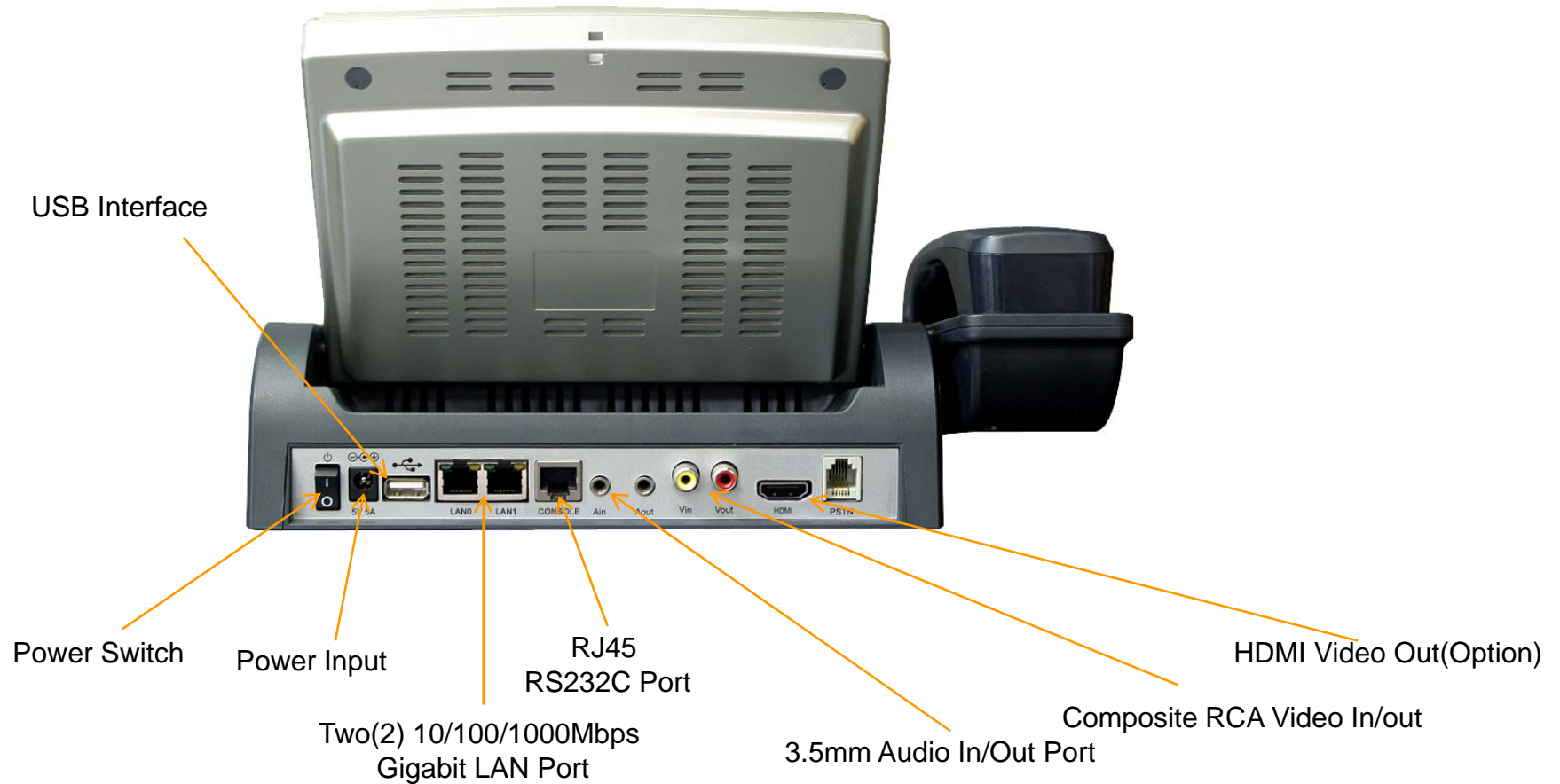




# Hardware Specification

AP-VP280G Gigabit Ethernet IP Video Phone

High-end  
**DSP**



# Hardware Specification

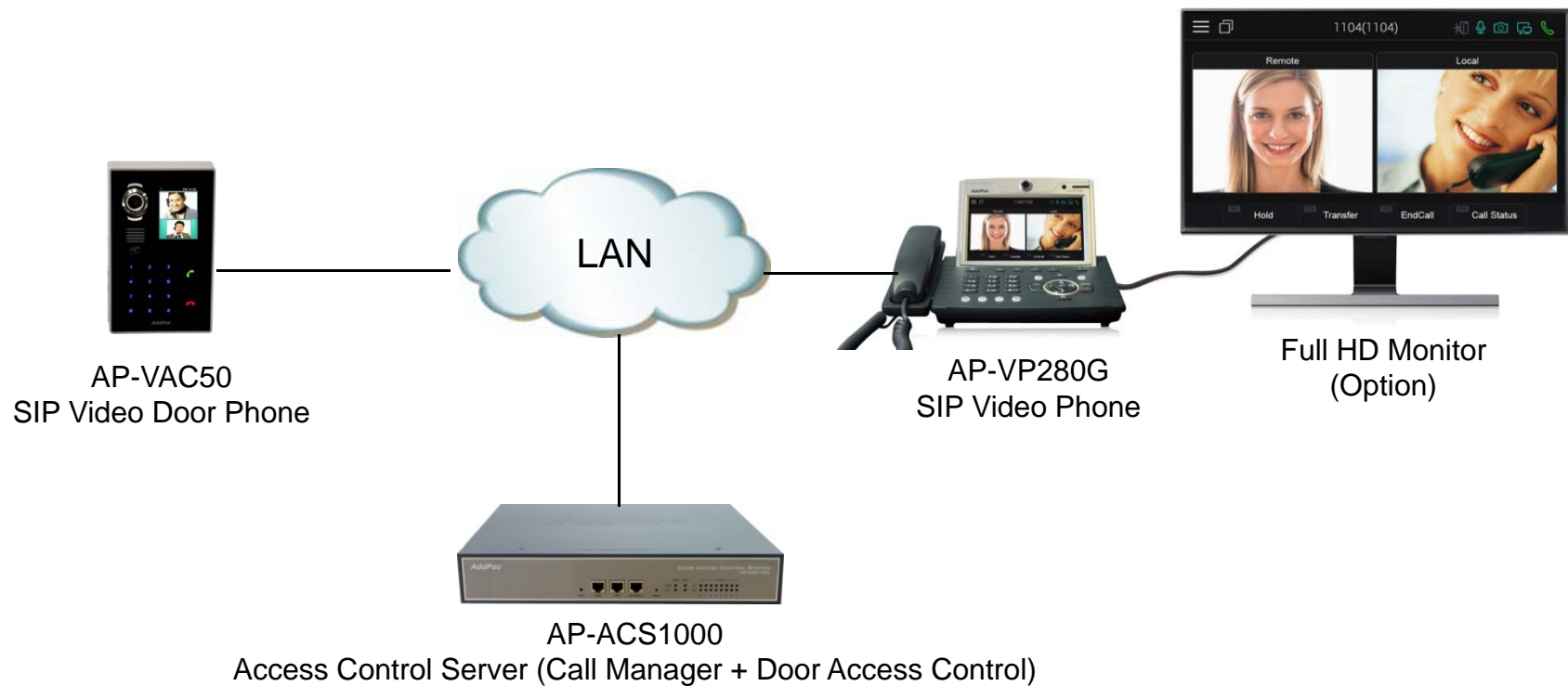
AP-VP280G Gigabit Ethernet IP Video Phone

High-end  
DSP



# Application Diagram

AP-VP280G Gigabit Ethernet IP Video Phone





# Thank you!

**AddPac Technology Co., Ltd.**  
Sales and Marketing

Phone +82.2.568.3848 (KOREA)

FAX +82.2.568.3847 (KOREA)

E-mail [sales@addpac.com](mailto:sales@addpac.com)