



# AP-GS1500™

## Multi-Port GSM Gateway

High Performance GSM Gateway Solution

H/W Design Concept



**AddPac**

**AddPac Technology**

2011, Sales and Marketing

[www.addpac.com](http://www.addpac.com)

# Contents

- Product Overview
- Hardware Specification
- AP-N1-GSM4 Module Diagram
- AP-N1-CDMA4 Module Diagram
- AP-N1-GSM4 H/W Block Diagram
- AP-N1-CDMA4 H/W Block Diagram
- 8-Port GSM Service Configuration
- 4-Port GSM + 8-Port FXS Service Configuration
- 4-Port GSM + 4-Port CDMA Service Configuration
- 8-Port GSM Service Network Diagram

# Product Overview

- Two(2) Module Slots for 4-Port GSM Module, 8FXS/8FXO Analog Interface (Up to 8-Port GSM, 8-Port CDMA)
- H.323/SIP/MGCP Triple Concurrent Stack Embedded
- High Performance RISC & Programmable DSP Architecture
- G.711/G.726/G.723/G.729, T.38 Fax , VAD, etc
- Powerful Network Protocols (PPPoE, DHCP, Static Routing, etc)
- Two(2)10/100Mbps Fast Ethernet
- One(1) RS-232C Port for Command Line Interface
- Firmware Upgradeable Architecture
- VPMS (VoIP Plug&Play Management System) for Large Scale Deployment
- Advanced Voice QoS Mechanism
- Rack Mountable Chassis with Internal Power Supply

# Hardware Specification

RISC  
CPU

High-end  
DSP

- RISC Microprocessor Computing Power
- Two(2) Module Slot for GSM, Analog Interface
- 4-Port GSM Module(AP-N1-GSM4)
  - 4-Port SIM Card Slot
  - One(1) GSM Antenna Interface (Internal 4 Channel Combiner)
  - Hot-Swap
- VoIP Interface Module
  - 8-Port FXS Module (AP-N1-FXS8)
  - 8-Port FXO Module (AP-N1-FXO8)
  - Hot-Swap
- Network Interface
  - Two(2) 10/100Mbps Fast Ethernet (RJ45)
- RS232C Console Interface for CLI
- Run LED, LAN LED, Port LEDs
- Internal Power Supply

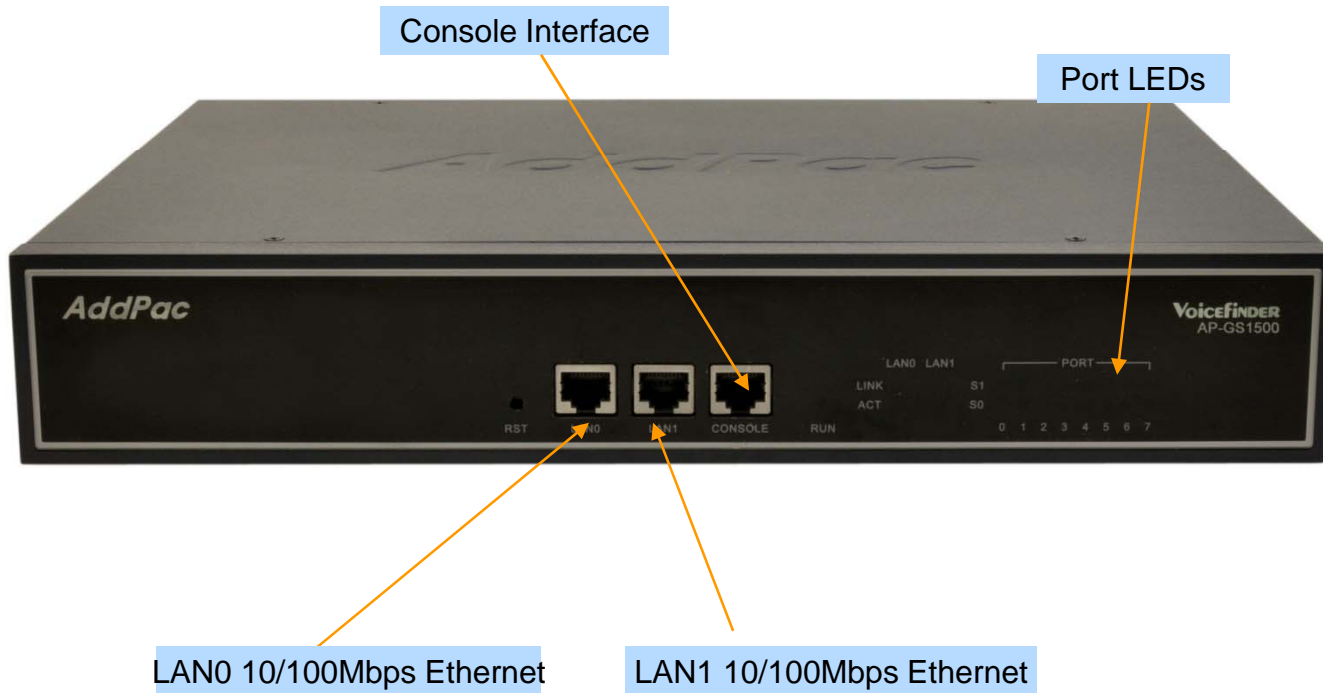


# Hardware Specification

RISC  
CPU

High-end  
DSP

## Front Side View

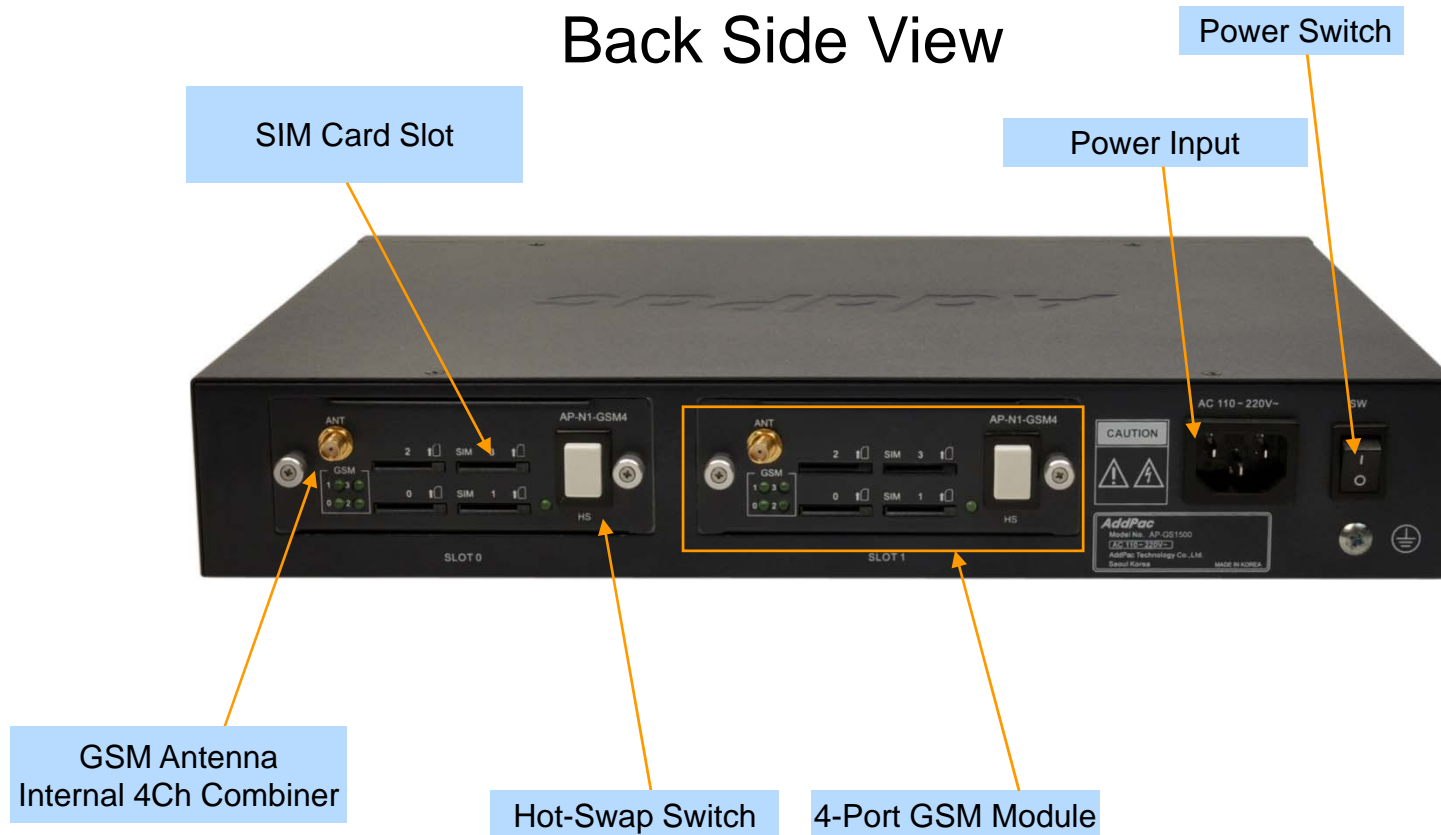


# Hardware Specification

RISC  
CPU

High-end  
DSP

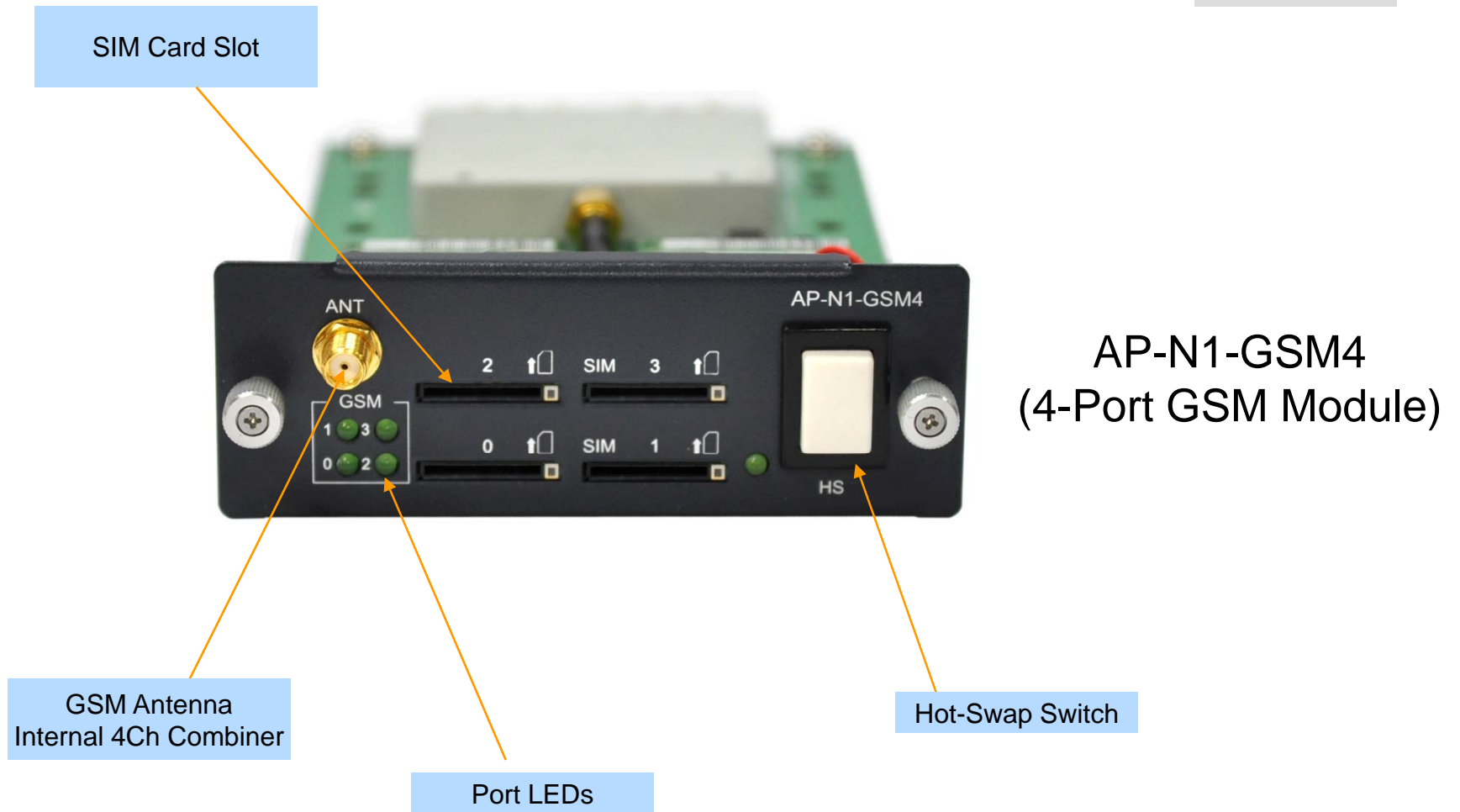
## Back Side View



# AP-N1-GSM4 Module Diagram

RISC  
CPU

High-end  
DSP

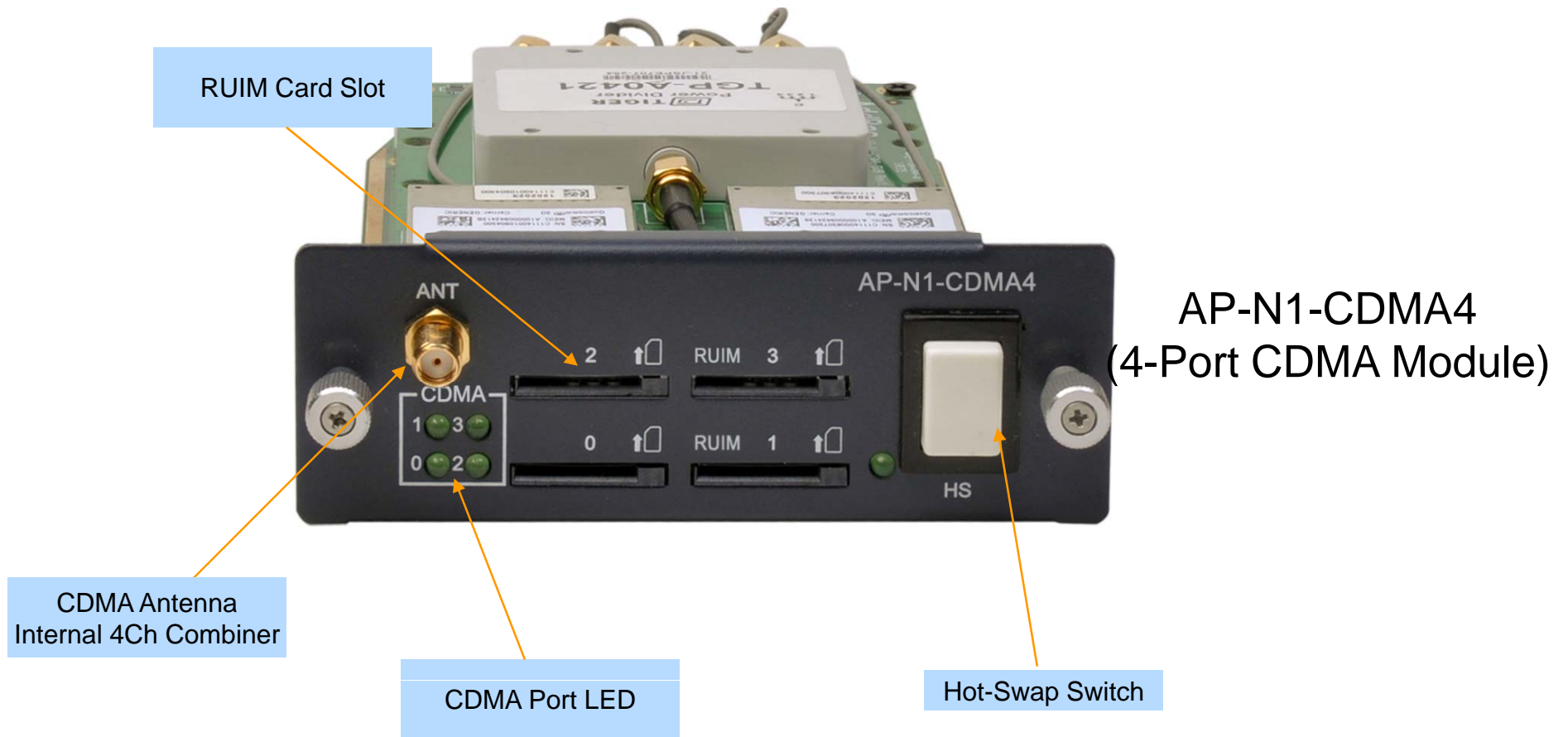


AP-N1-GSM4  
(4-Port GSM Module)

# AP-N1-CDMA4 Module Diagram

RISC  
CPU

High-end  
DSP





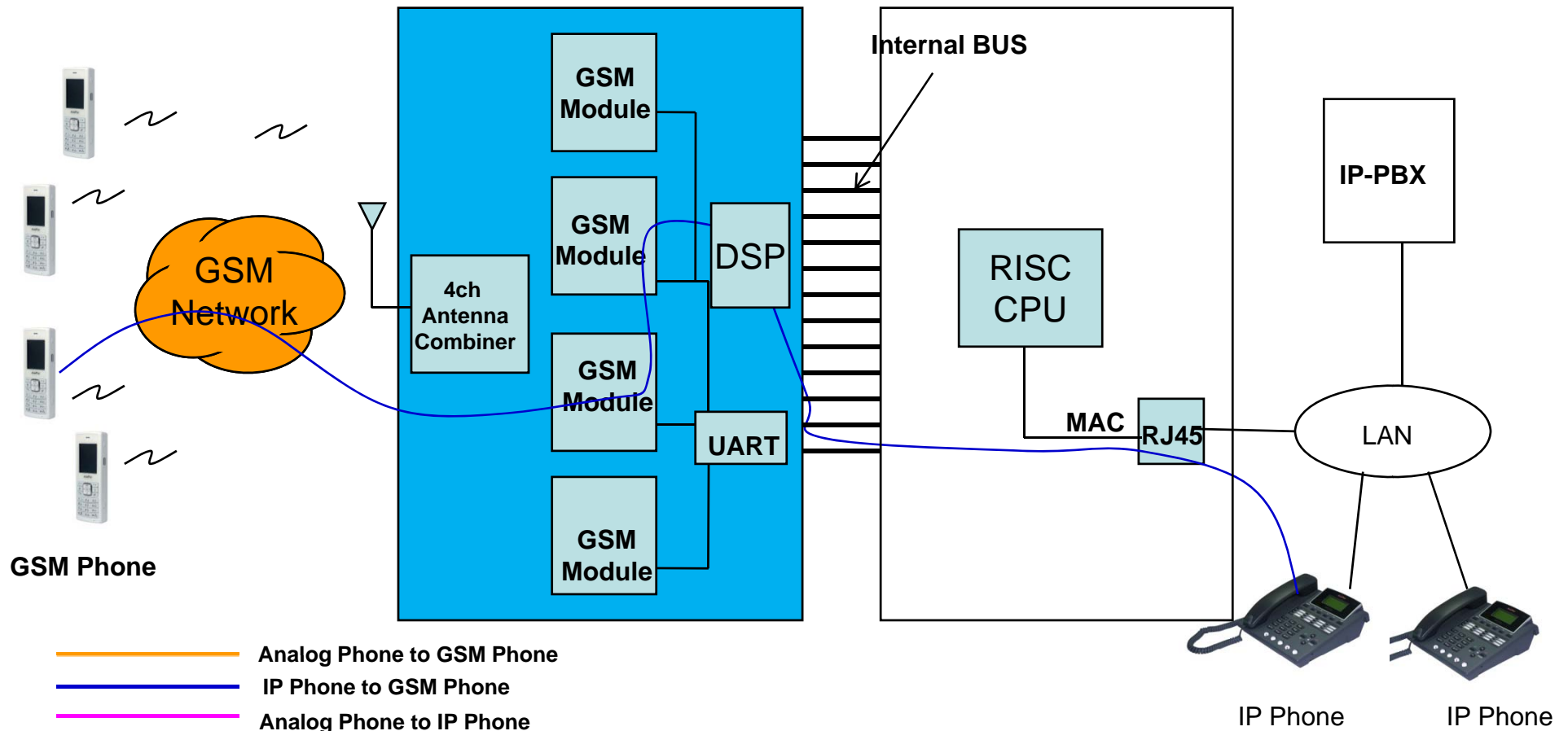
# AP-N1-GSM4 H/W Block Diagram

RISC  
CPU

High-end  
DSP

## GSM Gateway Service Diagram

AP-N1-GSM4 4-Port GSM Module Internal H/W Block Diagram



- Analog Phone to GSM Phone
- IP Phone to GSM Phone
- Analog Phone to IP Phone

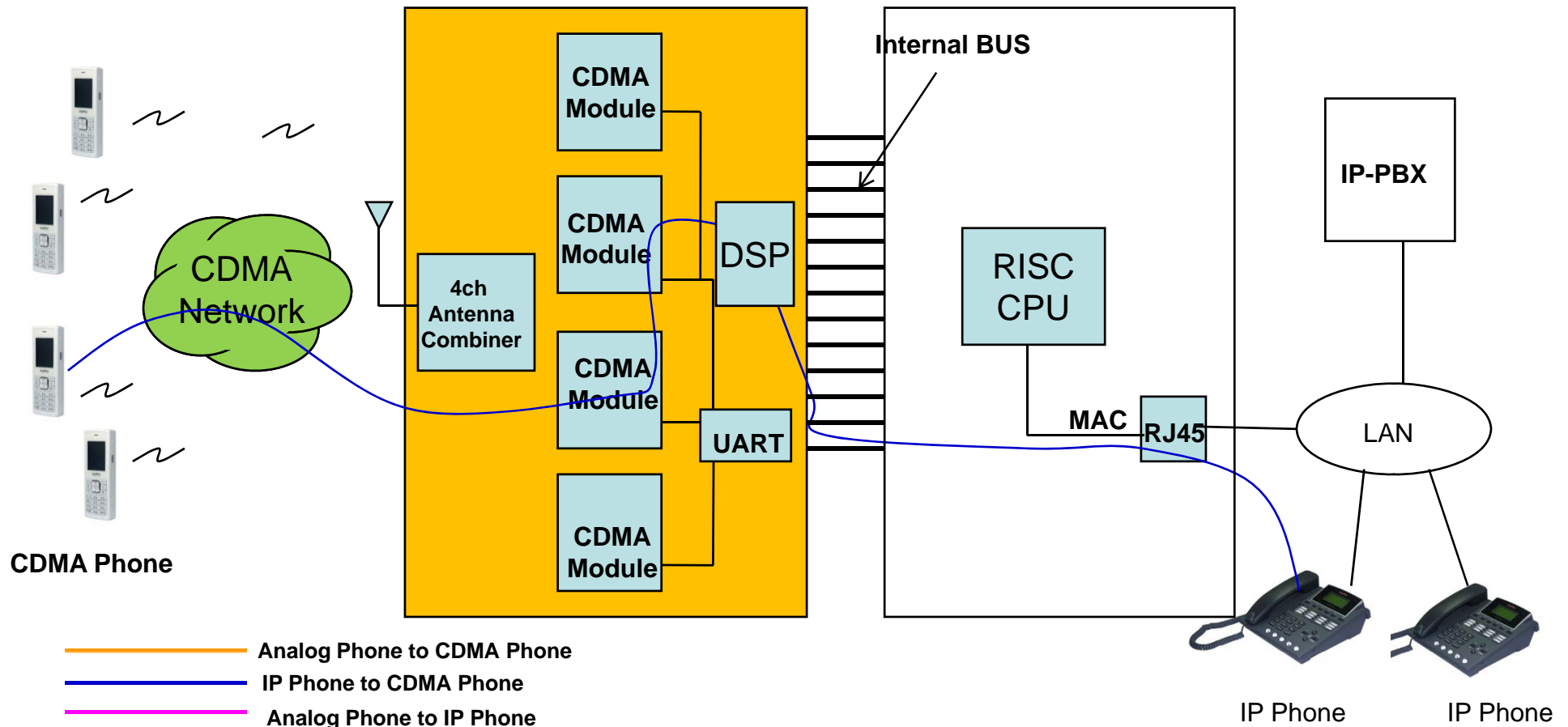
# AP-N1-CDMA4 H/W Block Diagram

RISC  
CPU

High-end  
DSP

## CDMA Gateway Service Diagram

AP-N1-CDMA4 4-Port CDMA Module Internal H/W Block Diagram



— Analog Phone to CDMA Phone

— IP Phone to CDMA Phone

— Analog Phone to IP Phone

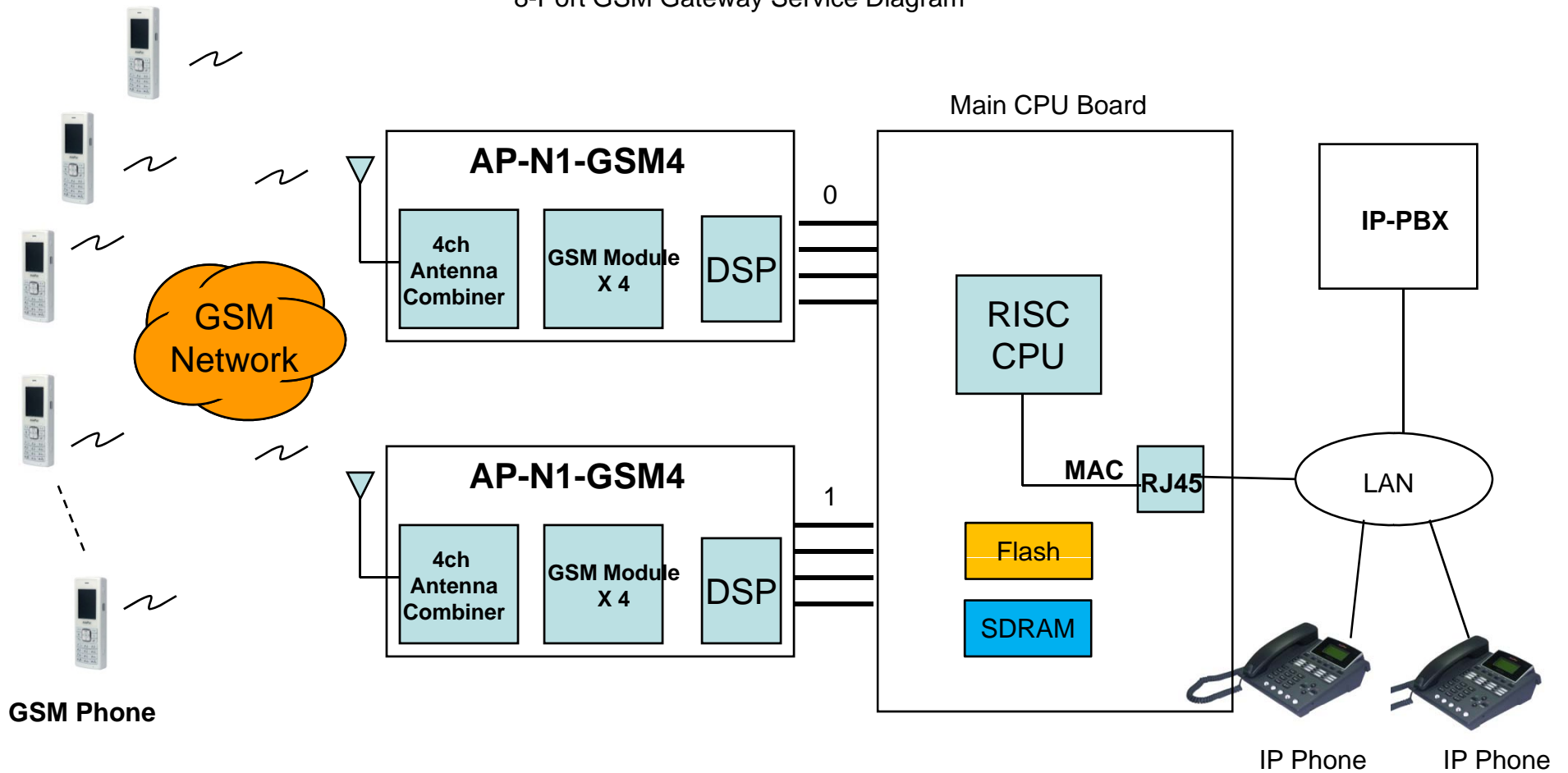
**AddPac**

www.addpac.com

# 12-Port GSM Configuration

## GSM Gateway Service Diagram

8-Port GSM Gateway Service Diagram

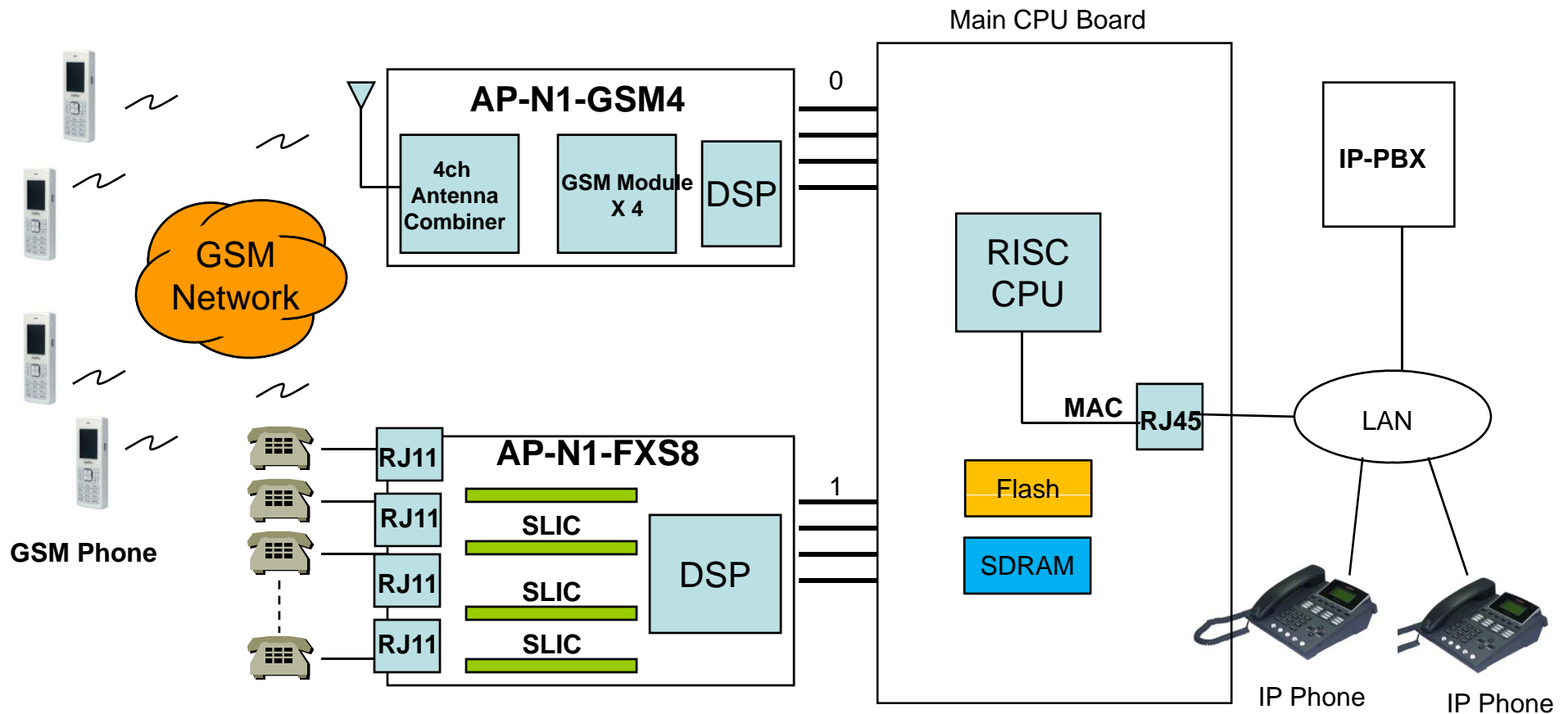


GSM Phone

# 4-Port GSM + 8-Port FXS Configuration

## GSM Gateway Service Diagram

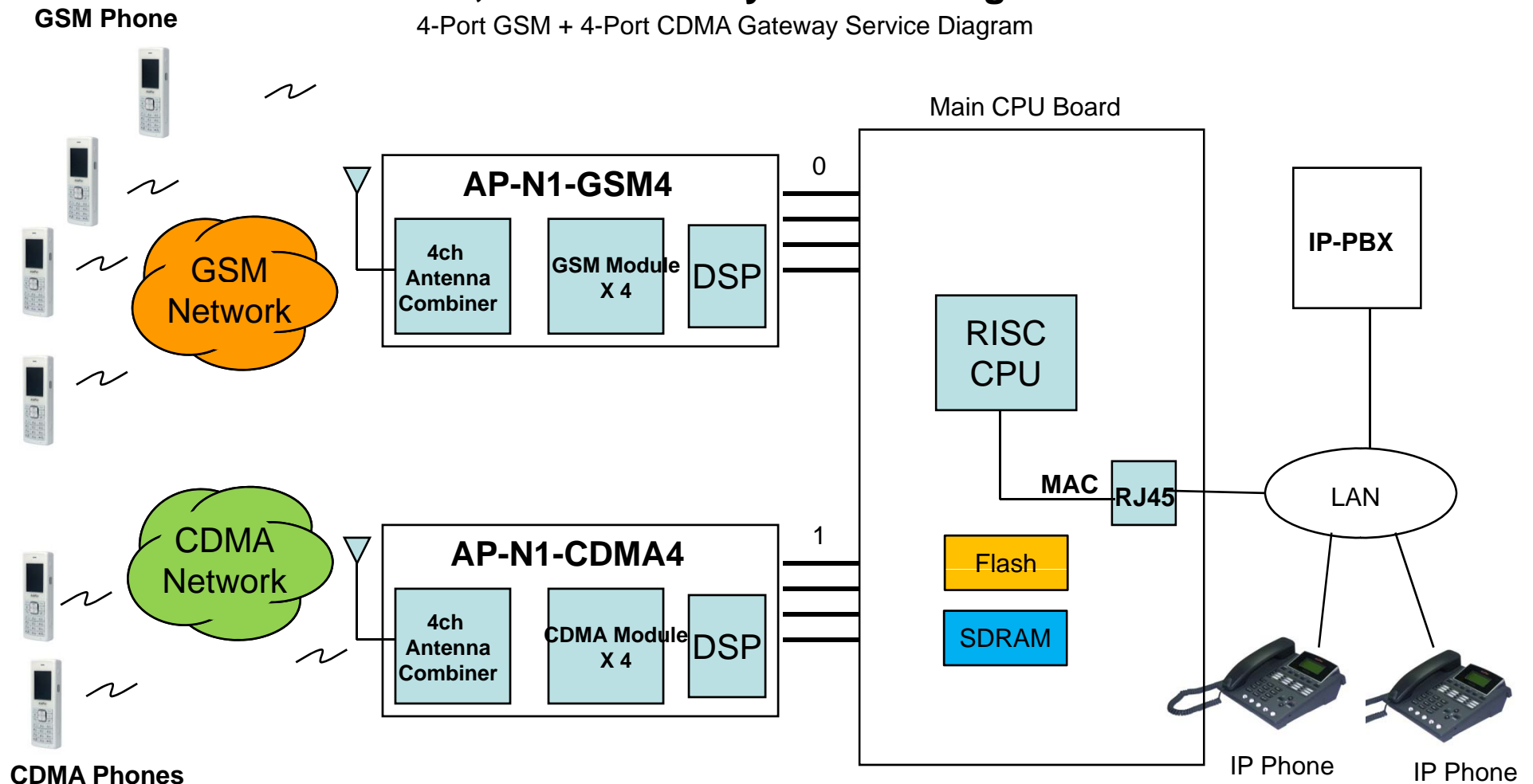
4-Port GSM + 8-Port FXS Gateway Service Diagram



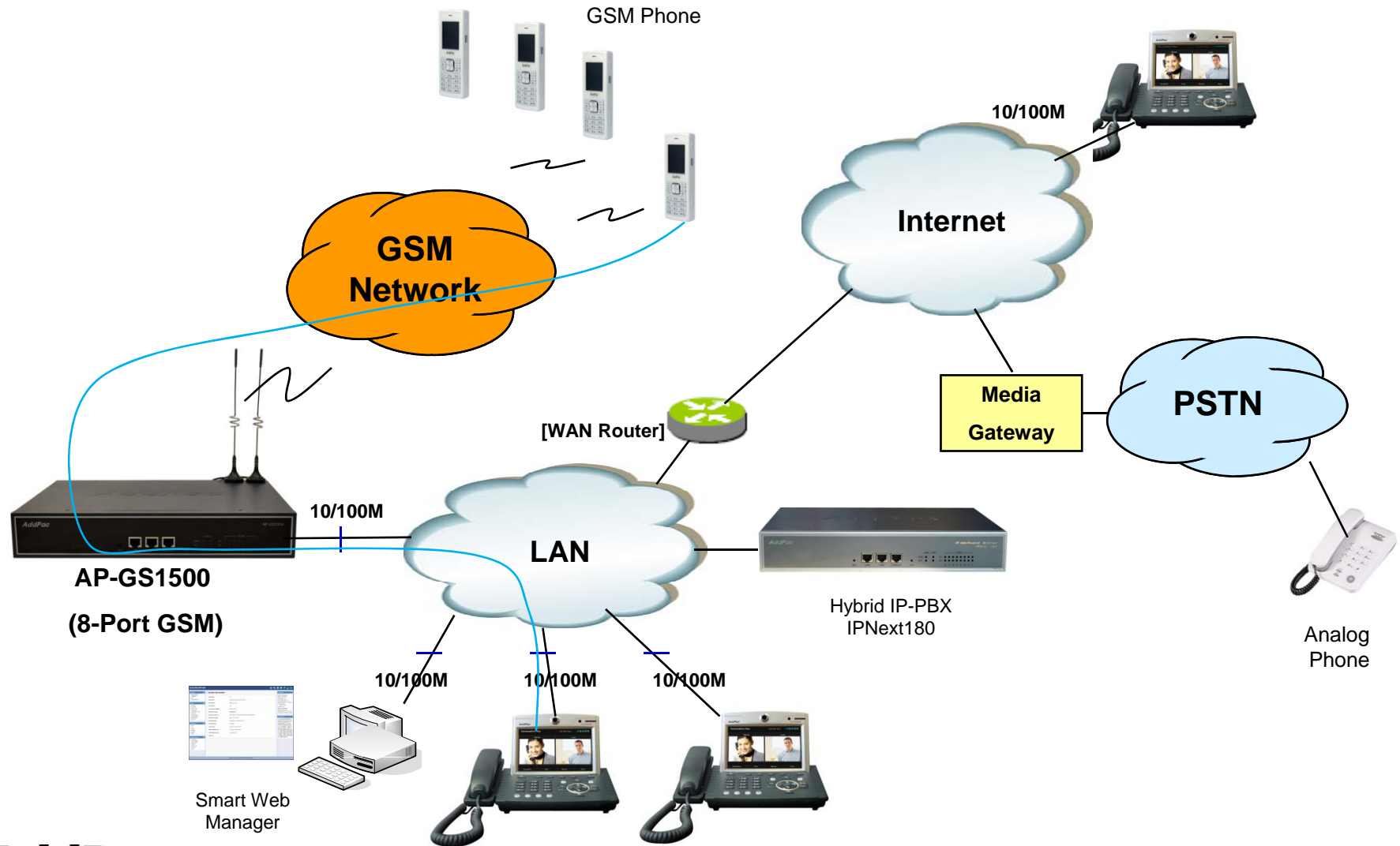
# 4-Port GSM + 4-Port CDMA Configuration

## GSM,CDMA Gateway Service Diagram

4-Port GSM + 4-Port CDMA Gateway Service Diagram



# Network Service Diagram



# GSM Gateway Series

# Thank you!

**AddPac Technology Co., Ltd.**  
Sales and Marketing

Phone +82.2.568.3848 (KOREA)

FAX +82.2.568.3847 (KOREA)

E-mail [sales@addpac.com](mailto:sales@addpac.com)