



## AP2640 32Port VoIP Gateway

VoiceFinder AP2640 is a BcN (Broadband convergence Network) VoIP gateway which extends the benefit of Analog and Digital gateways. AP2640 has changeable CPU module and maximum 32 ports of analog, digital E1/T1 voice interface modules.

The main feature of AP2640 is that it can adopt maximum 32 ports of analog voice interface and digital E1/T1 voice modules concurrently. It is designed to provide strong features of media gateways for IP-PBX by supporting several ports for analog interface and digital E1/T1 voice modules and also it acts as a media gateway which connects PSTN switch as well.

AP2640 in the aspect of hardware architecture is designed to provide a high performance service as a media gateway. It provides several LEDs in front panel so that various operational status of VoIP ports can be checked. Two of 10/100Mbps fast Ethernet port and RS232C console interface on front panel of AP2640 are the base for delivering various network services such as LAN-to-LAN routing, Bridge and NAT/PAT service etc

Various VoIP gateways of AddPac are approved for its capability and reliability in world wide markets. This AP2640 will be an excellent choice for BcN (Broadband Convergence Network) environment by supporting concurrent triple stack such as H323, SIP, MGCP and QoS (Quality of Service) for high quality of communication.



## APOS Internetworking Software

APOS™(AddPac Internetworking Operating System) is AddPac's unique software which supports data, voice, video and security. It provides scalability, reliability, stability and QoS for internetworking solutions. It also provides optimized performance and industry standard network functionality with easy-to-use, easy-to-installation and maintenance.

## Product Highlights

- Powerful RISC Microprocessor Architecture
- Four(4) Slot for VoIP Interface Module
- Two(2) 10/100Mbps Fast Ethernet Interface
- RS-232C (RJ45) Console Port for CLI Interface
- Front Panel LED for Real-time Status Monitoring
- 8-Port FXS, FXO, E&M VoIP Module and Various Broadcasting Module
- Concurrent Triple Stack of SIP, H.323, MGCP
- Multi Protocol Routing for LAN and WAN Access
- Voice Processing Features
  - VAD, DTMF, CNG, G.168, T.38 G3 Fax Relay
  - G.723, 729A, G.726, 711
- High Performance IP Routing Capability : Static, RIP v1/v2, OSPF v2, etc.
- SNMP MIB V2 for Network Management
- Standard & Extended Access List for Security
- Essential Scalability Features such as DHCP Server & Relay, NAT/PAT, IEEE Transparent Bridging, and Debugging/Diagnostics, etc.
- Remote Firmware Upgrade Through FTP & TFTP Protocol
- CISCO-style CLI ( Command Line Interface )
- APOS Guarantees Scalability, Reliability, Stability

## AP2640 Applications

- Inter-Office Internet Telephony System
- IP Voice/Video Broadcasting System
- VoIP Gateway for Enterprises
- Internet Telephony and IP Broadcasting System
- Media Gateway of IP-PBX
- Long Distance, High Ring Voltage NGN Media Gateway

## Hardware Specification

- RISC MicroProcessor (CPU)
- Memory
  - Boot memory 512Kbyte Flash Memory
  - System memory 4Mbyte Flash Memory
  - Main memory 64Mbyte SDRAM
- Analog VoIP Interface
  - FXSH Long Distance, High Ring Voltage 8-Port FXS Interface ( 8 x RJ11)
  - FXS 8-port FXS Interface (8 x RJ11)
  - FXO 8-port FXO Interface (8 x RJ11)
  - FXS/FXO 4-port FXS /4-port FXO Interface(8 x RJ11)
  - E&M 8-port E&M Interface (8 x RJ45)
  - E1 1, 2-port E1 Interface (RJ45)
  - T1 1, 2-port T1 Interface (RJ45)
- Ethernet Interface
  - 10/100Mbps 2-port Ethernet (RJ-45)
- Console Port
  - RS-232C 1-port Console (RJ-45)

## Power & Operational environment

- Adaptor VAC 110~220V, 50/60Hz
- OPower 5V, 30A, 150Watt
- Temperature 0℃~+45℃ (operating)
- Temperature -40℃~+85℃(storage)
- Humidity 5%~95%

## Dimensions

- D x W x H : 440 x 395 x 80 (mm)
- Weight : 6.9 (Kg)

## IP Routing Protocol

- Static and IEEE802.1Q VLAN Routing
- RIP v1/v2, OSPF v2

## WAN Protocol

- Broadband IP Network
- PPPoE
- Standard Compliant WAN Network Protocol

## Voice over IP Service

- H.323, SIP, MGCP VoIP Signaling Protocol
- VAD, DTMF, CNG, G.168, T.38 FAX Relay
- H.323 Gateway & Gatekeeper Support
- Voice Codec : G.723, G.729, G.726, G.711, G.711PLC
- Various VoIP Features
- Interoperable with Diverse VoIP Gateways
- Interoperable with Diverse VoIP Gatekeeper, SIP Proxy, MGC
- IP Voice/Audio Broadcasting Module and Features (Interworking with AddPac Server)

## Operation & Management

- Performance Analyzing (Process, CPU, Interface )
- Configuration Backup and Restore for APOS Management
- Debugging and Diagnosis Features
- System Booting/Rebooting through WatchDog
- Data Logging Features
- IP Traffic Statistics through Accounting

## Network Management

- Standard SNMP Agent (MIB v2) Support
- Console, Telnet, Web Based Management
- Remote Download via FTP/TFTP
- Remote Firmware Upgrade using FTP/TFTP

## Traffic QoS Control

- Traffic QoS Control Feature For Services
- Voice, Data Prioritizing Control
- Various QoS Algorithm Support

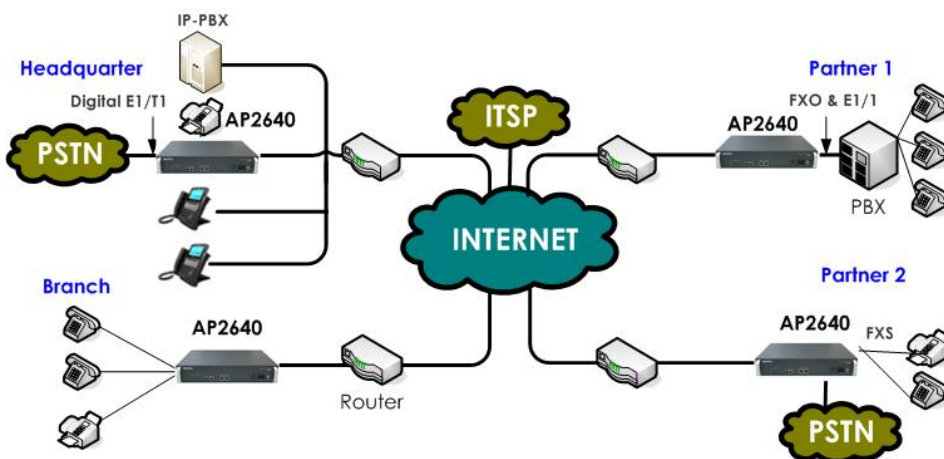
## Security Feature

- IP Packet Filtering / Access List
- Access Control and Data Protections
- Enable/Disable for Specific Protocols
- Multi-level User Account Management
- Auto-disconnect for Telnet/Console Sessions
- PPP User Authentication Support
- Password Authentication Protocol (PAP)
- Challenge Handshake Authentication Protocol (CHAP)

## Other Features

- DHCP Server and Relay
- Network Address Translation (NAT)
- Port Address Translation (PAT)
- Transparent Bridging (IEEE Standard)
  - Spanning Tree Bridging Protocol
  - Concurrent Routing and Bridging
- NTP (Network Time Protocol)
- Cisco Style Command Line Interface
- Load Balancing
- Standard Compliant Network Protocol

## AP2640 Network Diagram



## Ordering Information

- AP2640-01 : AP2640 Standard Configuration
- Two(2) Fast Ethernet Port
  - One(1) Console Port
  - RISC CPU,
  - 8MB Flash, 64MB SDRAM
  - APOS v8.xx Manual
  - CAB-LAN Ethernet Cable
  - CAB-CON RS-232C Console Cable
  - AP2640-FXS8H 8-Port FXS8H Module
  - AP2640-FXS8 8-Port FXS8 Module
  - AP2640-FXO8 8-Port FXO8 Module
  - AP2640-FXS404 4-Port FXS,FXO Module
  - AP2640-E&M8 8-Port E&M Module
  - AP2640-1E1,T1 1-Port E1, T1 Module
  - AP2640-2E1,T1 2-Port FXS8 Module