



# NGN VoIP

## Design Concept



***AddPac***

**AddPac Technology**

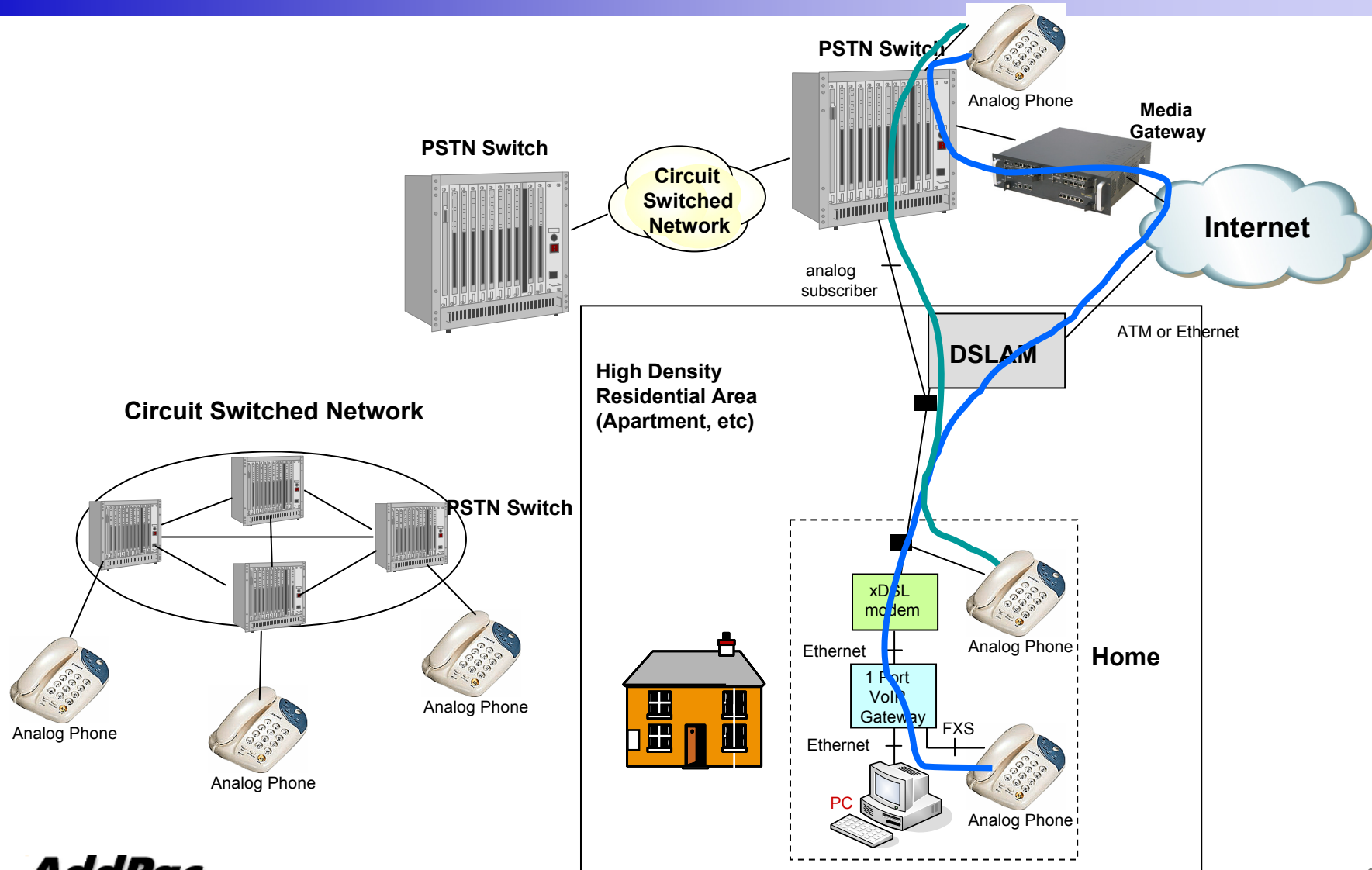
2005, Sales and Marketing

[www.addpac.com](http://www.addpac.com)

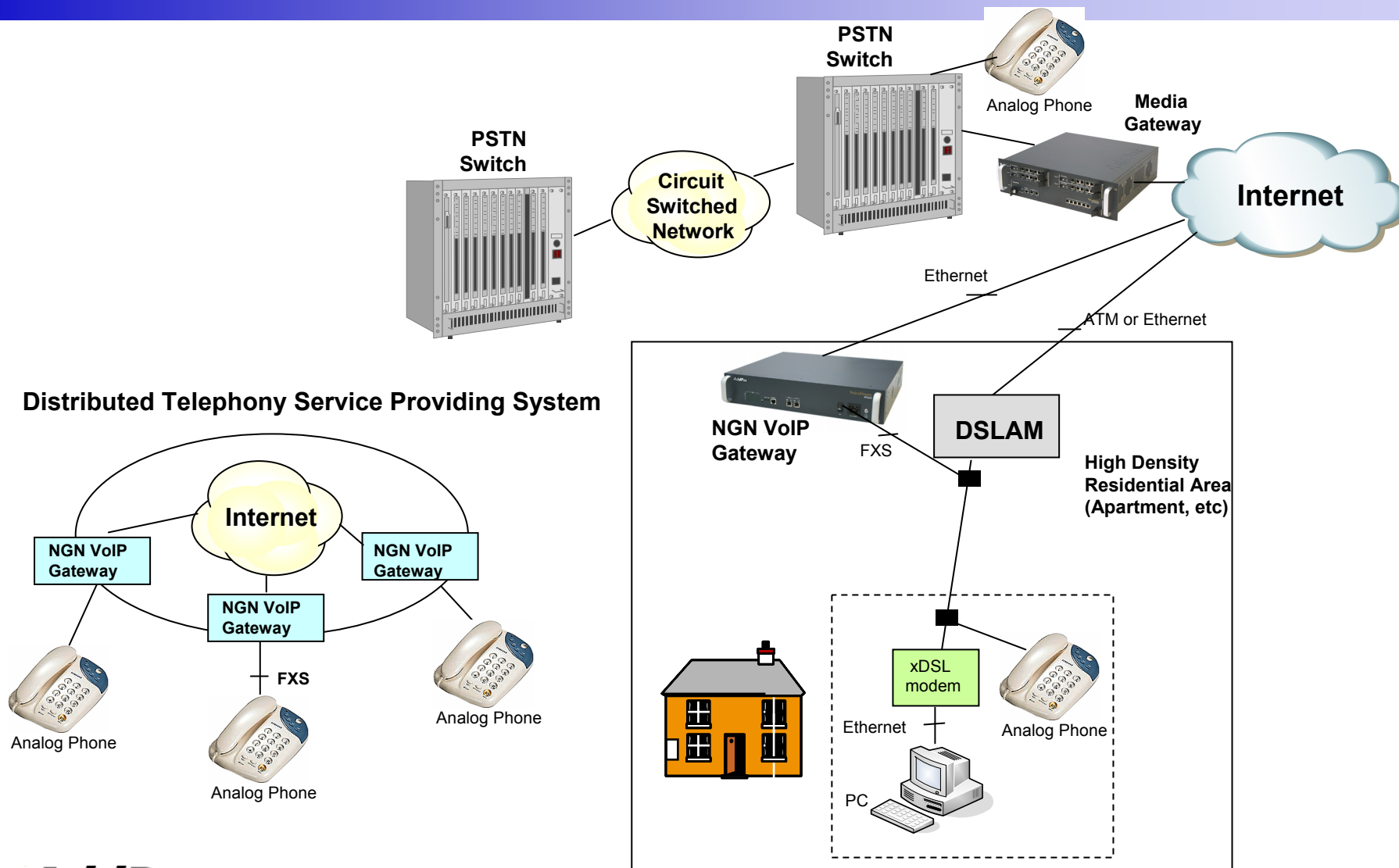
# Contents

- NGN VoIP Service Concept
- NGN VoIP Hardware Specification
- NGN VoIP System Architecture
- Advantage of NGN VoIP Service

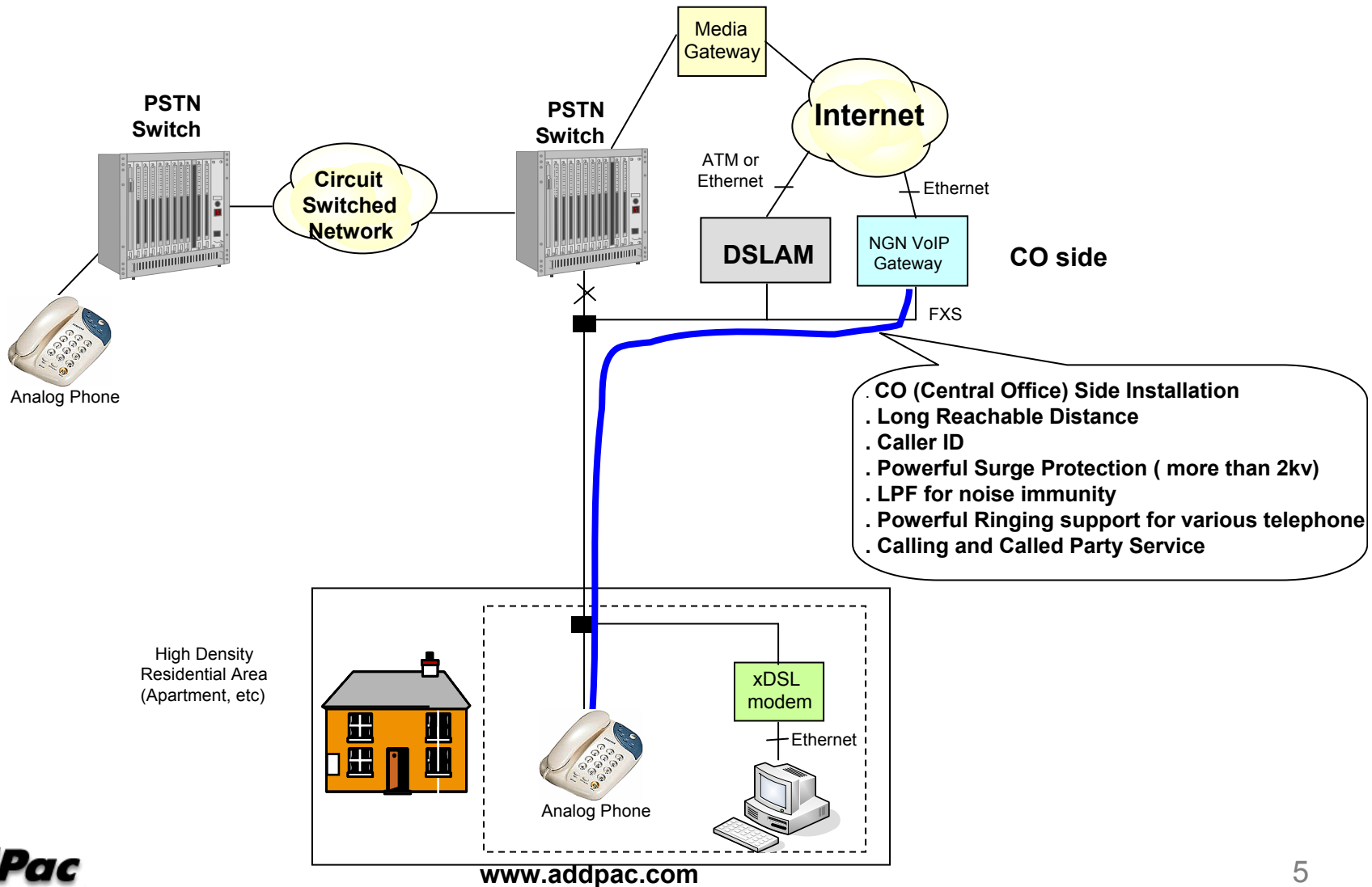
# Current VoIP Service Concept



# NGN VoIP Service Concept



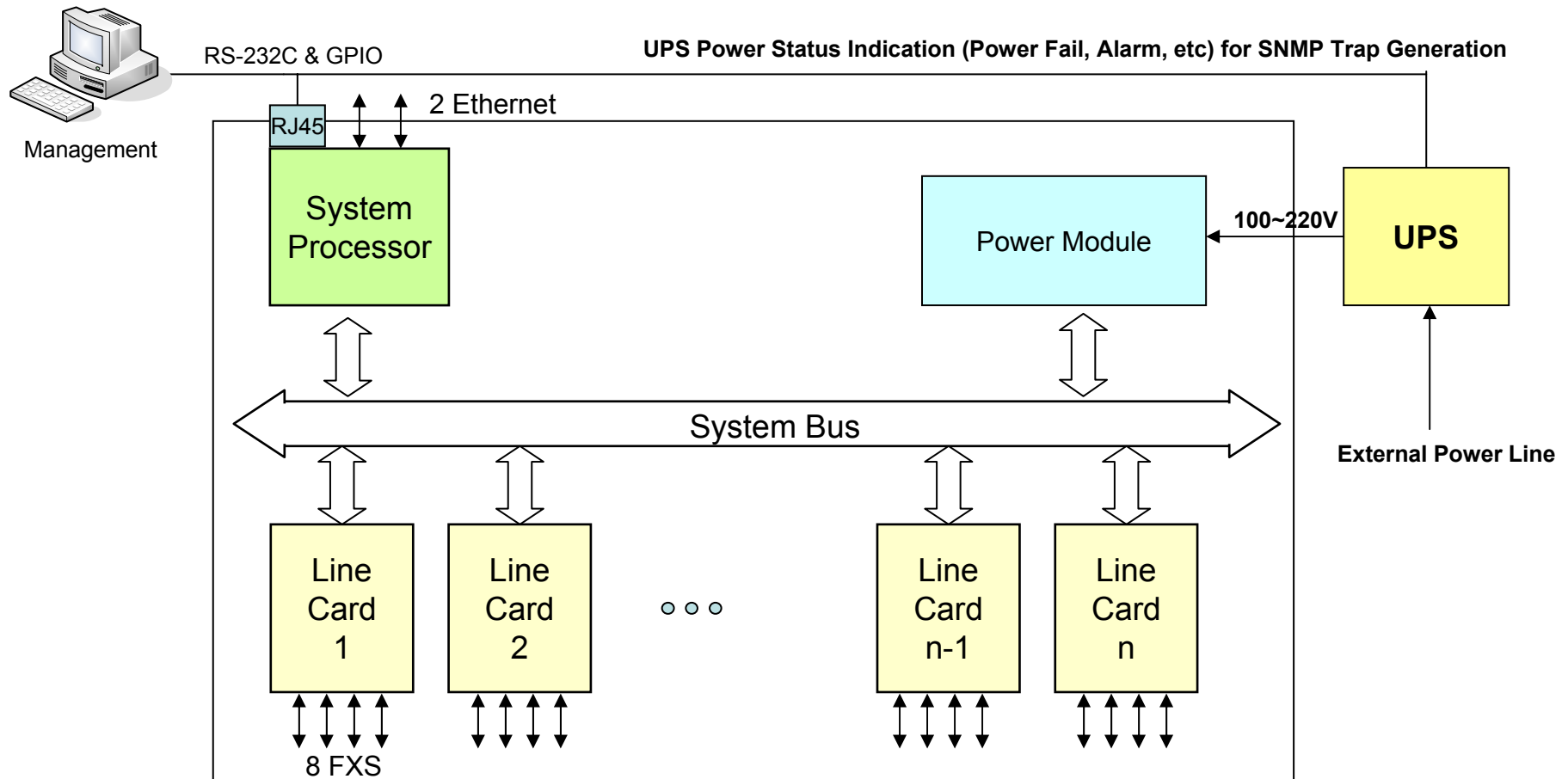
# NGN VoIP Service Concept



# Hardware Specification

- **Powerful RISC Computing Power**
- **FXS VoIP Interface for NGN Service Feature**
  - Long Reachable Distance
  - 80Vrms Ringing
  - Powerful Surge Protection (more than 2kv)
  - Caller ID
  - LPF for Noise Immunity
- **Network Interface**
  - Two(2) 10/100Mbps Fast Ethernet for Stacking or Bridging
  - One(1) RJ45 RS-232C Console Port for Management & UPS Power Status Check
- **Rack Mountable Chassis**
- **Built In Power Supply**

# System Architecture



# Advantage of NGN VoIP Service

ITEM	PSTN telephone	VoIP Telephone	NGN VoIP Telephone
Subscriber line	Voice service only network	Requires high-speed Internet and VoIP Gateway	Utilizing existing telephone line, no environment change
Charge of usage	Relatively high	Low	Low
User convenience	High	Mid	High
Easy management	Low	Mid	<b>High</b>
Additional service	Various	Focus on voice service	Various
Supports various telephones	Support	Limited	Same as PSTN telephone service
Installation location of Equipment	Central offices	Offices or houses	<b>Central office or apartment MDF</b>
Supports complex numbering	Support	Limited	Support
Subscriber distance	Approx. 4Km	Hundreds of meters	<b>Almost same as PSTN telephone service</b>
Additional service	Focused on voice service	Focused on reasonable telephone charge	Various additional service such as free in-complex calls, designated telephone numbers





# Thank you!

**AddPac Technology Co., Ltd.**  
Sales and Marketing

Phone +82.2.568.3848 (KOREA)

FAX +82.2.568.3847 (KOREA)

E-mail [sales@addpac.com](mailto:sales@addpac.com)