

Multi-Port GSM Gateway Series

Web based QoS Control



AddPac

AddPac Technology

2010, Sales and Marketing

www.addpac.com

Contents

- Smart Web for QoS Control
- Packet Transmit Diagram (before, after QoS mode)



QoS Control

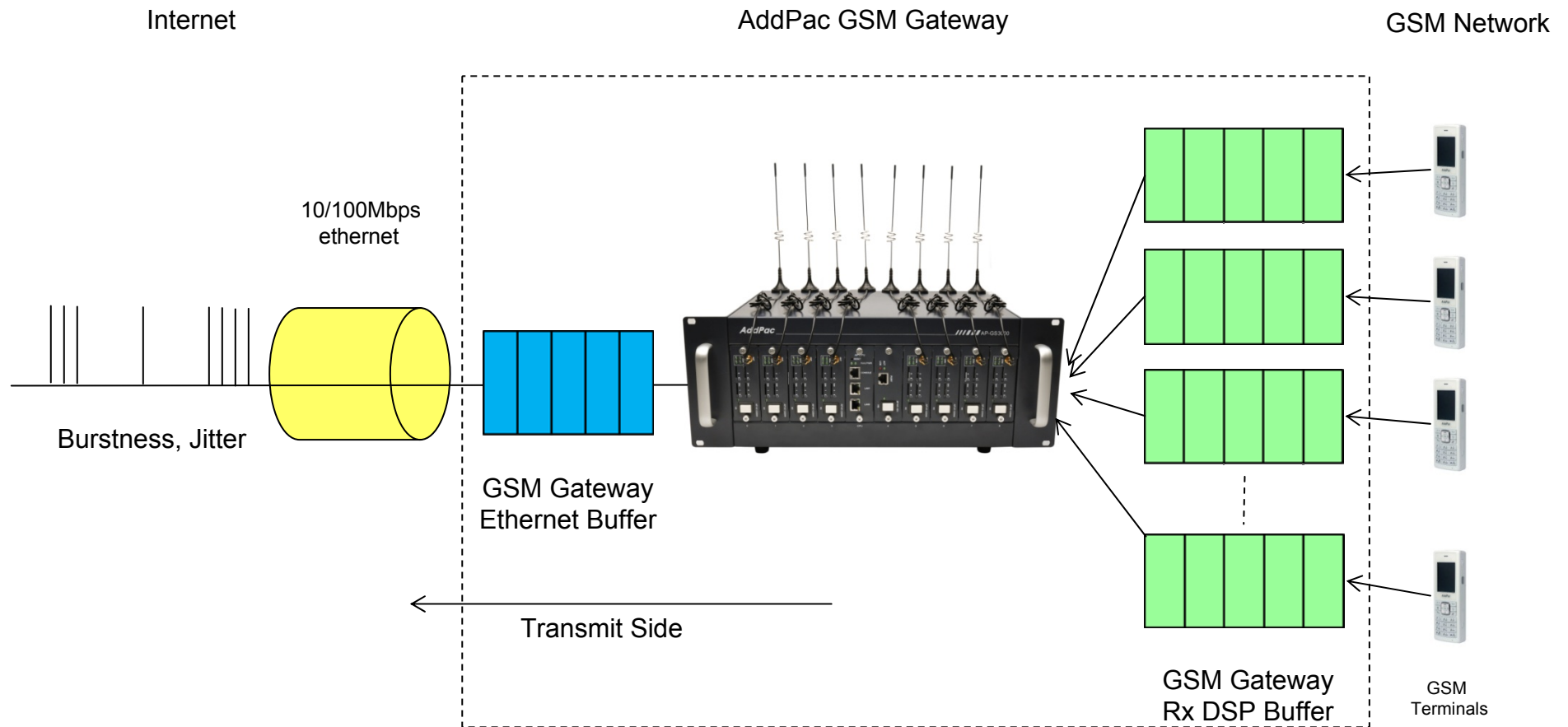
The screenshot displays the 'Smart Web Manager' interface for 'WAN & Tunneling Setup'. The left sidebar shows a navigation menu with 'WAN Setup' highlighted. The main content area is divided into sections for 'WAN Setup', 'Static IP', 'PPPoE(ADSL)', 'DHCP', 'VLAN', and 'QoS Control'. The 'QoS Control' section is highlighted with a red dashed border and contains the following fields:

- Enable QoS (optional)
- Bandwidth : Kbps (default auto, 48-4096)
- PPS : pps (default auto, 50-2000)

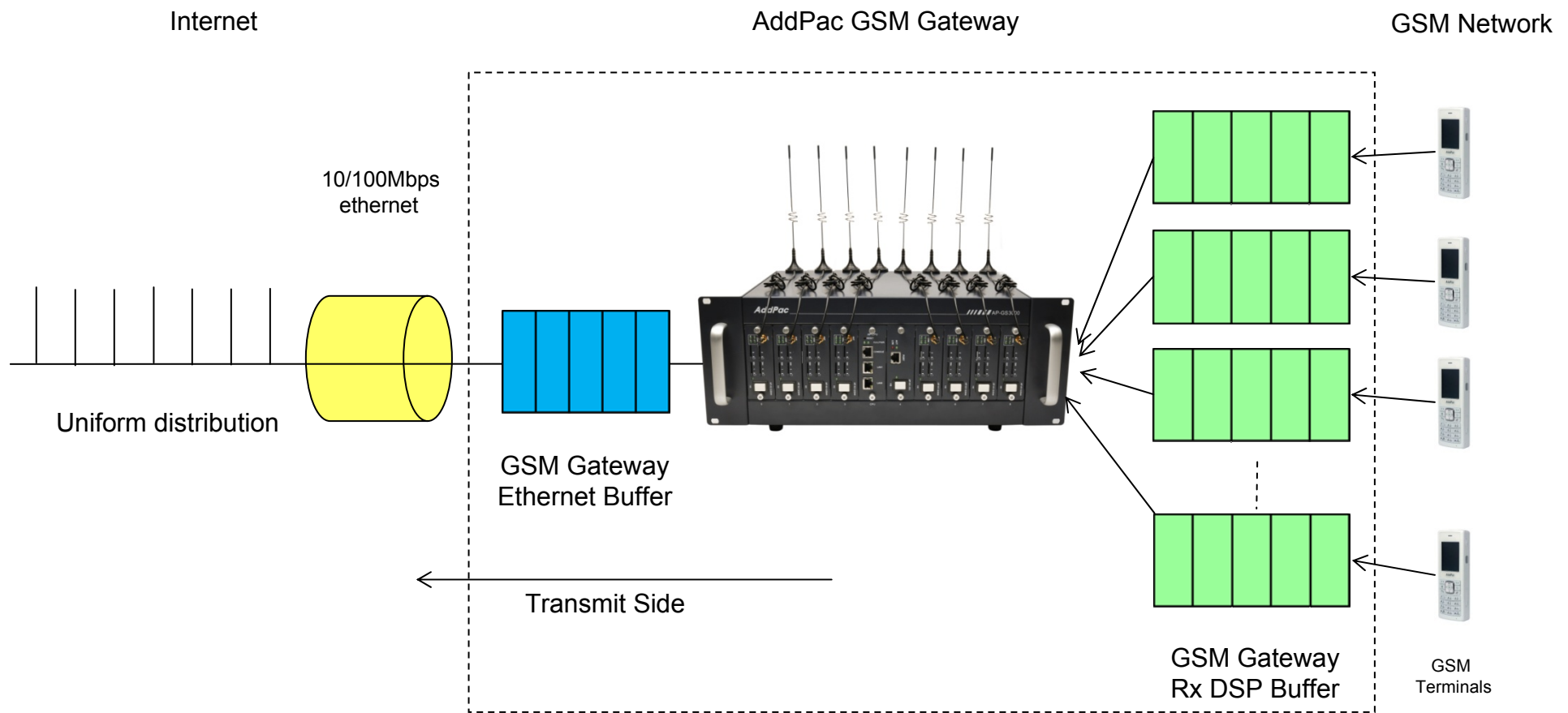
A yellow callout box points to the 'QoS Control' section with the text: 'QoS Control - Supported by Bandwidth and PPS(Packet Per Second) conditions.'

At the bottom left of the main content area, there is a green checkmark icon and the text 'Apply'.

Packet Transmit (Before QoS enable mode)



Packet Transmit (After QoS enable mode)



GSM Gateway Series

Thank you!

AddPac Technology Co., Ltd.
Sales and Marketing

Phone +82.2.568.3848 (KOREA)

FAX +82.2.568.3847 (KOREA)

E-mail sales@addpac.com