



# AP-3GR1001D

## Dual-USIM 1-Port 3G Router

High Performance 3G Gateway Solution

### Preliminary Product Overview

(Without notice, following described technical spec. can be changed)



# **AddPac**

## AddPac Technology

2015, Sales and Marketing

[www.addpac.com](http://www.addpac.com)

# Contents

- Product Overview
- Hardware Specification
- 3G Module Specification
- APOS Technology
- Network Protocols
- Network Management
- Smart Web Management
- Security Management
- Application Service
- Ordering Information

# Product Overview

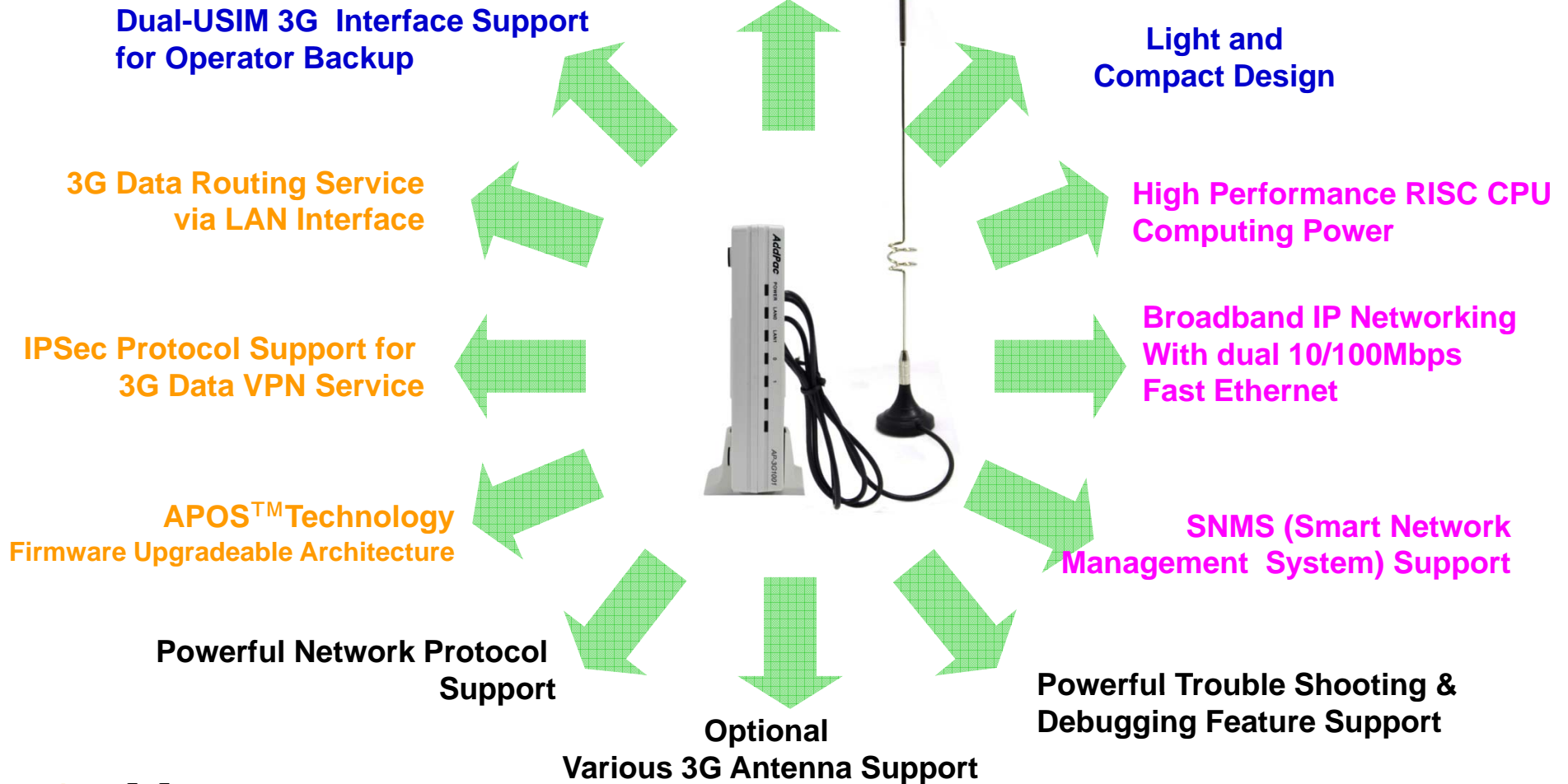
## AP-3GR1001D Dual-USIM 1-Port 3G Router

- 1-Port 3G Mobile Interface Support
- Dual-USIM Interface Support for Operator Backup, etc
- 3G Data Service via LAN Port
- 1-Port 3G VPN Gateway Service (IPSec, AES)
- High Performance RISC Programmable Architecture
- Two(2) 10/100Mbps Fast Ethernet (IP Share ,etc)
- High Performance LAN-to-LAN Routing Capability
- Powerful Network Protocols (PPPoE, DHCP, Static Routing, etc)
- Firmware Upgradeable Architecture
- SNMS (Smart Network Management System) for Large Scale Deployment
- Light and Compact Design with External Power Supply

# Product Highlights

AP-3GR1001D Dual-USIM 1-Port 3G Router

## Powerful 3G VPN Gateway

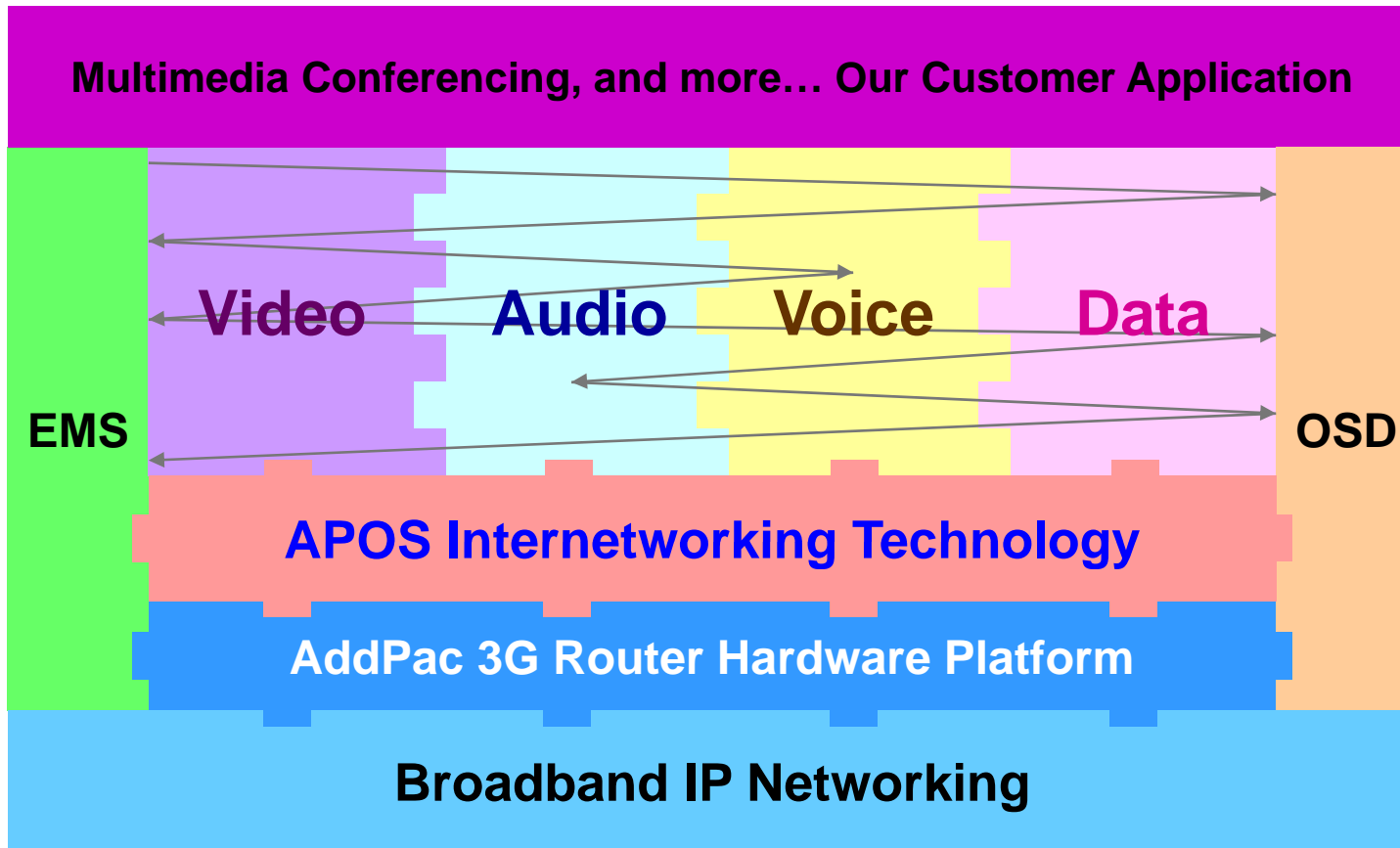


**AddPac**

[www.addpac.com](http://www.addpac.com)

# APOS Technology

AP-3GR1001D Dual-USIM 1-Port 3G Router



- APOS : AddPac Internetworking Operating System
- OSD : On- Screen Display
- EMS : Element Management System

# Hardware Specification

AP-3GR1001D Dual-USIM 1-Port 3G Router

RISC  
CPU

- RISC Microprocessor Computing Power
- 1-Port 3G Router
- 1-Port 3G Antenna Interface
- Dual-USIM Card Slot
- Network Interface
  - Two(2) 10/100Mbps Fast Ethernet (RJ45)
- One(1) RS232C Console Interface
- Run LED, LAN LED, Port LEDs
- External Power Supply
- Power On/Off Switch

# Hardware Specification

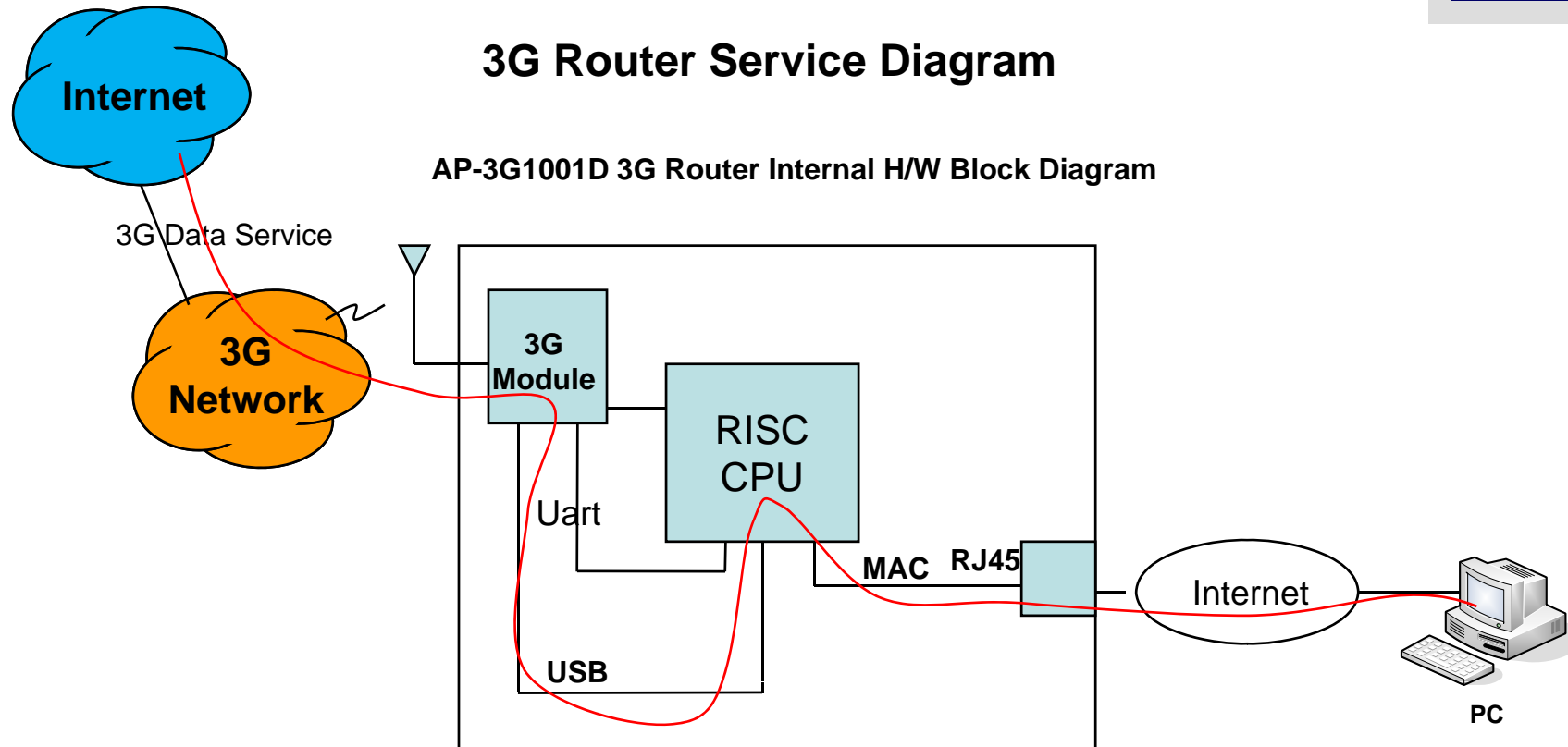
AP-3GR1001D Dual-USIM 1-Port 3G Router

RISC  
CPU

High-end  
DSP

## 3G Router Service Diagram

AP-3G1001D 3G Router Internal H/W Block Diagram



— 3g Data Service

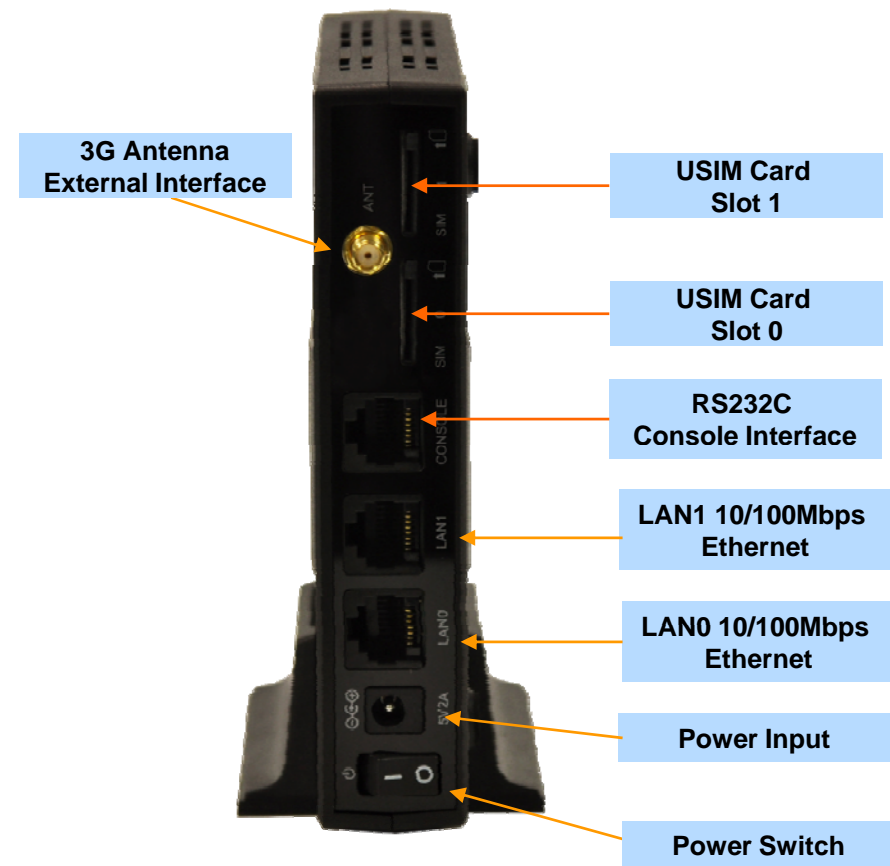
# Hardware Specification

## AP-3GR1001D Dual-USIM 1-Port 3G Router

### Hardware Specifications

AP-3GR1001D Dual-SIM 3G Router	Basic Specifications
3G Antenna Interface	External 3G Antenna
USIM Card Slot	Dual-USIM 3G USIM Card Slot
Ethernet Interface	2-Ports 10/100Mbps Ethernet Interface(RJ-45)
Flash Memory	512Mbyte High-speed NAND Flash Memory
Base Memory	128 Mbyte High-speed DDR2
Power Requirement	Power Supply Adaptor / VAC 110~220V, 50/60Hz, 5V, 2A
Operating Temperature	0°C ~ 45°C (32 °F ~ 122°F)
Storage Temperature	-40°C ~ 85°C (-40°C ~ 185°F)
Relative Humidity	5% ~ 95% (Non-condensing)
Dimension	142mm x 142mm x 28mm (W x D x H)
Weight (Kg)	0.42Kg

### Network interface Configurations





# 3G Module Specification

AP-3GR1001D Dual-USIM 1-Port 3G Router

- ✓ **3G UMTS/HSDPA/HSUPA Characteristics**
  - Class A User Requirement : data & voice simultaneously
  - UMTS Terrestrial Radio Access FDD
  - 3GPP Release 6 High Speed Packet Access(HSPA)
  - Dual-band Support\*(Option)
    - Band I (2100MHz),Band VIII (900MHz)
  - Dual-band Support\* (Option)
    - Band II (1900MHz),Band V (850MHz)
  - WCDMA/HSDPA/HSUPA Power Class
    - Power Class 3 (24dBm) for WCDMA/HSDPA/HSUPA Mode
  - PS(Packet Switched) Data Rate
    - HSUPA category 6, up to 5.76Mbps UL
    - HSDPA category 8, up to 7.2Mbs DL
    - WCDMA PS data up to 384kbps DL/UL
  - CS(Circuit Switched) Data Rate
    - WCDMA CS data up to 64Kbps DL/UL

# 3G Module Specification

AP-3GR1001D Dual-USIM 1-Port 3G Router

- ✓ 2G GSM Characteristics
  - Class B Mobile Station
  - Quad-band Support
    - GSM 850MHz, E-GSM 900MHz
    - DCS 1800MHz, PCS1900MHz
  - GSM Power Class
    - Power Class 4 (33dBm) for GSM/E-GSM bands
    - Power Class 1 (30dBm) for DCS/PCS bands

# Network Protocols

AP-3GR1001D Dual-USIM 1-Port 3G Router

## Basic Network Protocols

- ARP, IPv4, TCP, UDP, ICMP, SCTP, IGMP, MLD

## Routing Protocol

- IPv4 : Static

## Service Protocol

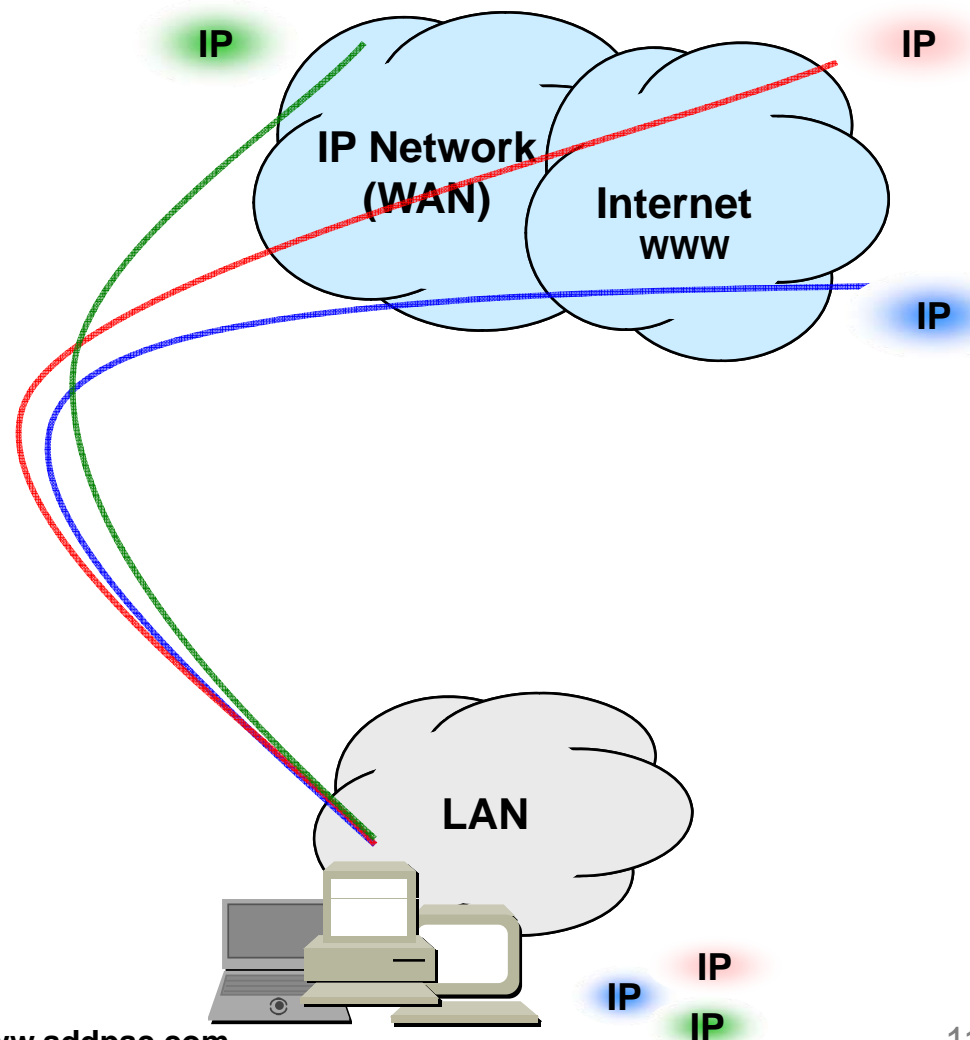
- FTP, Telnet, TFTP, DHCP Server/Relay, SNMP Server
- CDP (Cisco Discovery Protocol)
- DNS Resolver , DDNS(nsupdate)
- Bridge
- Syslog

## IPv4 Address Configuration

- Fixed (Static)
- DHCP
- PPPoE

## Miscellaneous

- Cisco Style CLI
- Standard & Extended IPv4 Access List
- Multi-level User Account Management
- IP accounting
- STUN Client



# Network Management

## AP-3GR1001D Dual-USIM 1-Port 3G Router

- **SNMP**

- Standard Simple Network Management Protocol( SNMP) Agent support
- MIB v1 and v2 Support

- **Web-based Management**

- Smart Easy Setup

- **Watch-dog Function**

- Hardware, Software watch-dog services

- **Remote Management**

- Telnet
- Rlogin

- **Auto Upgrade Service**

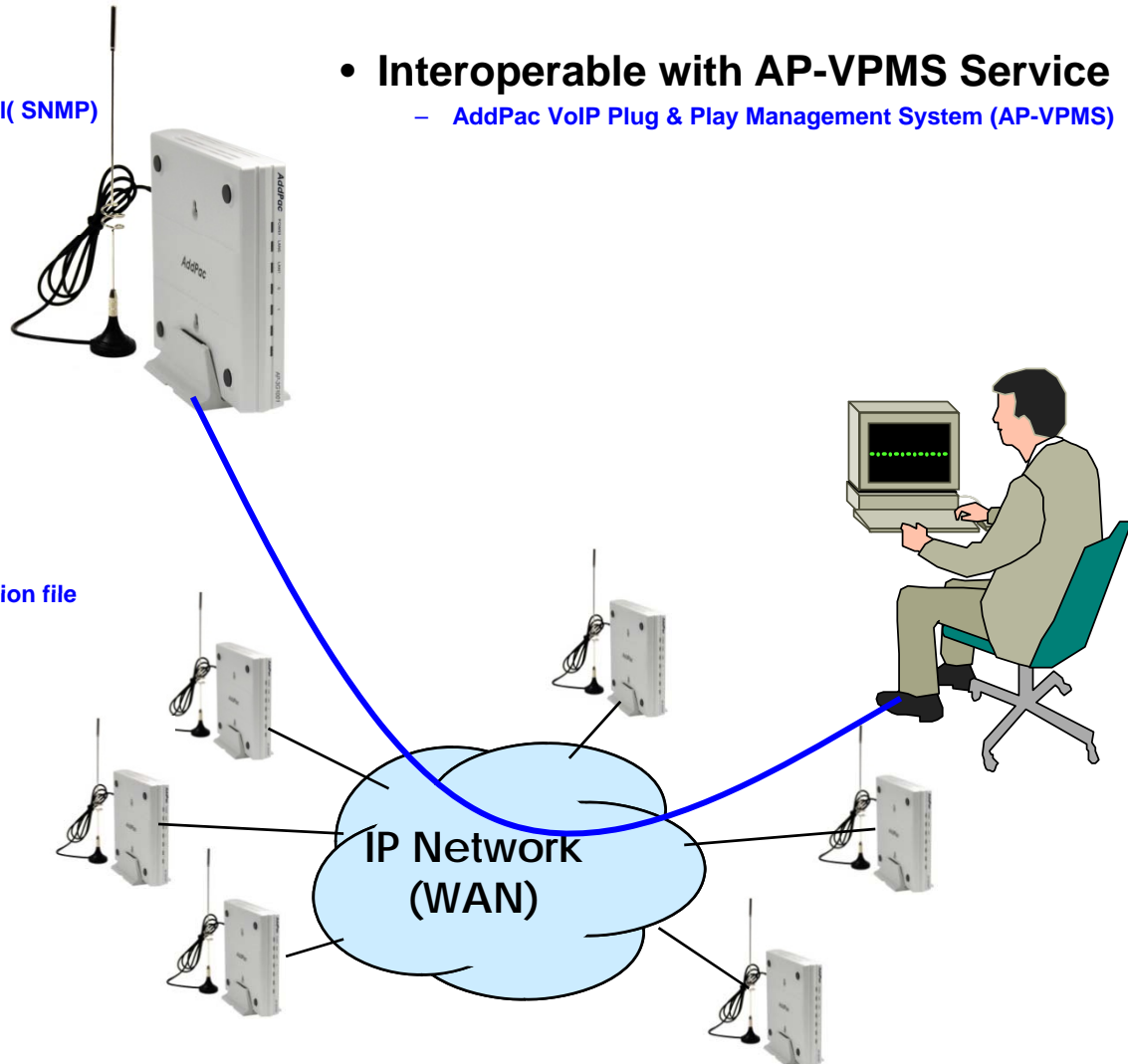
- HTTP server based APOS image and configuration file auto-upgrade support

- **Batch Job Function**

- Text based script downloading

- **Interoperable with AP-VPMS Service**

- AddPac VoIP Plug & Play Management System (AP-VPMS)



# Smart Web Manager : Main Page Layout

AP-3GR1001D Dual-USIM 1-Port 3G Router

**Main Menu**  
For easy system setup, provide the various menu and category

- System
  - Network Setup
  - Language
  - NTP
  - Backup/Restore
- Basic
  - Protocol
  - Server SIP
  - Server H.323
  - Tel Number
  - FXS/FXO/E1 Group
  - E1 Trunk
  - DTMF/CODEC
  - Dial Plan/Prefix
  - Static Route
  - Hot Line
- Advanced
  - Gain
  - Fax
  - Service
  - Filtering
  - Security
  - SNMP
- Miscellaneous
  - Call Status
  - System Status
  - Alarm Status
  - Call Log
  - System Log
  - Test Call
  - Ping

**Tool Bar**  
Provide frequently used tools like as System Update, Configuration Backup, Initialization, Restart, Telnet

**System Information**

HW Version	2.0
S/W Version	ap1800k_web_g2_v8_47T.bin 8.47
MAC Address	0002.a511.2245
VoIP Protocol	SIP
Voice Interface Module	S(4)O(4) : E1(2)
Registration Status	Unregistered
Supported Codec List	g711alaw g711ulaw g7231r53 g7231r63 g726r32 g729
Network Information	Static 172.16.50.114
WAN LINK Status	100Mbps FULL Duplex Link UP
LAN LINK Status	Link Down
Current Time	Thu Oct 1 13:06:23 2009
System Startup Time	Thu Oct 1 12:56:46 2009
System Running Time	0 days 00:09:37
Total Calls	0

**Information**  
Display the current system version and status summary

AddPac Tehonology  
Model : AP1800K\_G2  
H/W Version : 2.0  
S/W Version : 8.47  
Smart Web Version : 0.3  
Smart Web Build : Oct 1 2009  
Voice Interface  
S(4)O(4) : E1(2)  
Protocol : SIP  
Status : Unregistered  
CurrentCalls : 0 Call  
Network : Static 172.16.50.114  
Mac Address: 0002.a511.2245

**Description**  
WAN 포트에 대한 설정입니다. Static IP의 경우 고정 IP 주소로 사업자로부터 할당 받은 주소 정보를 입력합니다. DHCP와 PPPoE의 경우 유동 IP로 장비의 주소가 변경될 수 있습니다. DHCP 및 PPPoE는 사용자 환경에 맞도록 설정하십시오. MAC 주소 변경은 필요시 장비에 설정된 주소를 사용하지 않고사용자가 설정한 주소를 사용하는 방안으로 반드시 필요한 경우에 한하여 사용하여야 합니다.

**Workspace**  
Workspace for detailed action

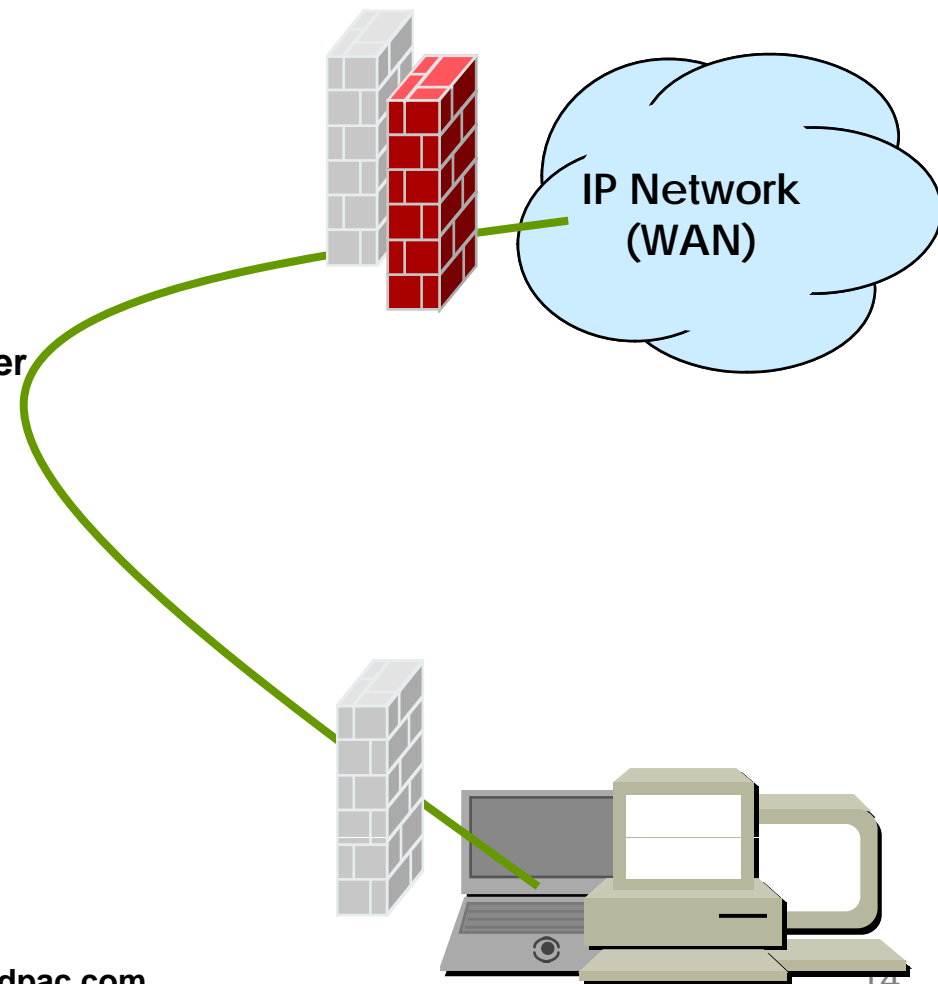
**Description**  
Display the help message if you move mouse over main menu

©AddPac Tehonology 2008-2009. all rights reserved.

# Security Management

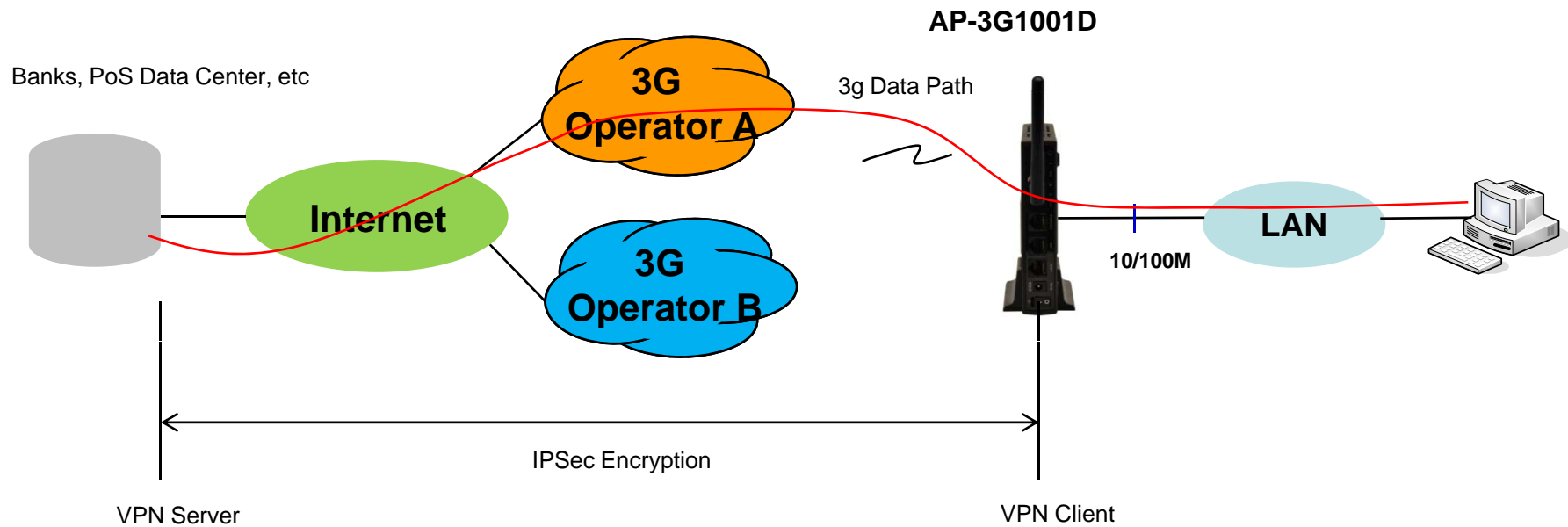
AP-3GR1001D Dual-USIM 1-Port 3G Router

- IP Sec (AES, etc) for VPN Client Service
- IP packet filtering
- IP access list
- User authentication function
  - Password Authentication Protocol (PAP)
  - Challenge Handshake Authentication Protocol (CHAP)
- Enable/Disable specific protocols
- Auto-square connect of Telnet session
- Account Management function for multi-level user
- SNMP/TELNET/FTP/HTTP/TFTP port assignment function
- SNMP/TELNET/FTP access list management
- Boot mode security checking function



# Standard Application

AP-3GR1001D Dual-USIM 1-Port 3G Router



# Ordering Information

- **AP-3GR1001D Dual-USIM 3G Router Hardware**
  - AP-3G1001D 3G Router Main Body
  - RISC Microprocessor Architecture
  - Dual-USIM Interface
  - 1-port 3G Antenna Interface
  - 2-ports 10/100Mbps Fast Ethernet(RJ45)
  - 1-port RS232C Console Interface (RJ45)
  - Including Network Cable, Antenna & Ext. Power Supply, etc.
- **Built-in APOS Internetworking Software for AP-3GR1001D**
- **Including 1 Year Hardware Warranty**
- **Product Documents**
  - Install and Operation Guide (PDF)
- **Pricing**
  - AddPac Technology Regional Sales Manager
  - Authorized Sales and Marketing Representatives
  - Please Contact [www.addpac.com](http://www.addpac.com)



# 3G Gateway Series

# Thank you!

**AddPac Technology Co., Ltd.**  
Sales and Marketing

Phone +82.2.568.3848 (KOREA)

FAX +82.2.568.3847 (KOREA)

E-mail [sales@addpac.com](mailto:sales@addpac.com)