



AP-SAV300 Analog Video Intercom IP Gateway

High Performance IP Extension Solution for Legacy Analog
Video Door Phone



AddPac

AddPac Technology

2015, Sales and Marketing

www.addpac.com

Contents

- Product Overview
- Hardware Specification
- APOS Technology
- Video Service
- VoIP Service
- Network Protocols
- Network Management
- Security Management
- Application Service
- Ordering Information

Product Overview

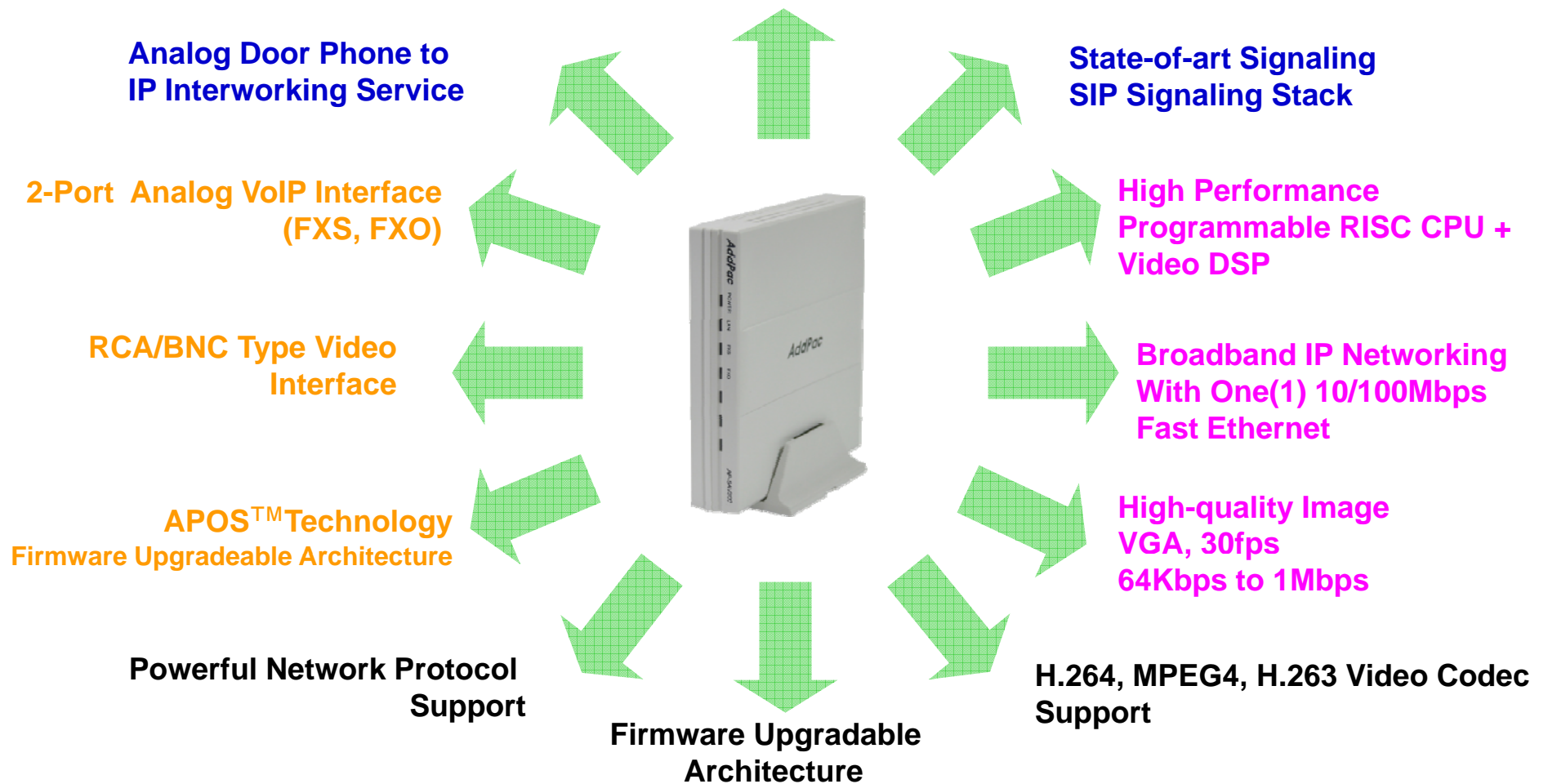
AP-SAV300 Analog Video Intercom IP Gateway

- Analog-to- IP Video Gateway Solution for Analog Video Door Phone
- 2-Port FXS/FXO VoIP Gateway Interface Support
- SIP/H.323 Dual Stack VoIP Signaling Protocol
- High-performance Video/Voice Codec Support
 - H.264/MPEG4/H.263, G.711, etc
- High Performance RISC Programmable Architecture
- One(1) 10/100Mbps Fast Ethernet
- RCA/BNC type Video Interface Support
- High Performance LAN-to-Zwave Routing Capability
- Powerful Network Protocols (PPPoE, DHCP, Static Routing, etc)
- Firmware Upgradeable Architecture
- Smart Web based Management
- Smart Phone/Tab/PAD Application Software (Android, IOS)
- Light and Compact Design with External Power Supply

Product Highlights

AP-SAV300 Analog Video Intercom IP Gateway

Smart Analog Video Intercom IP Gateway Solution



AddPac

www.addpac.com

APOS Technology

AP-SAV300 Analog Video Intercom IP Gateway



- APOS : AddPac Internetworking Operating System
- OSD : On- Screen Display
- EMS : Element Management System

Hardware Specification

AP-SAV300 Analog Video Intercom IP Gateway

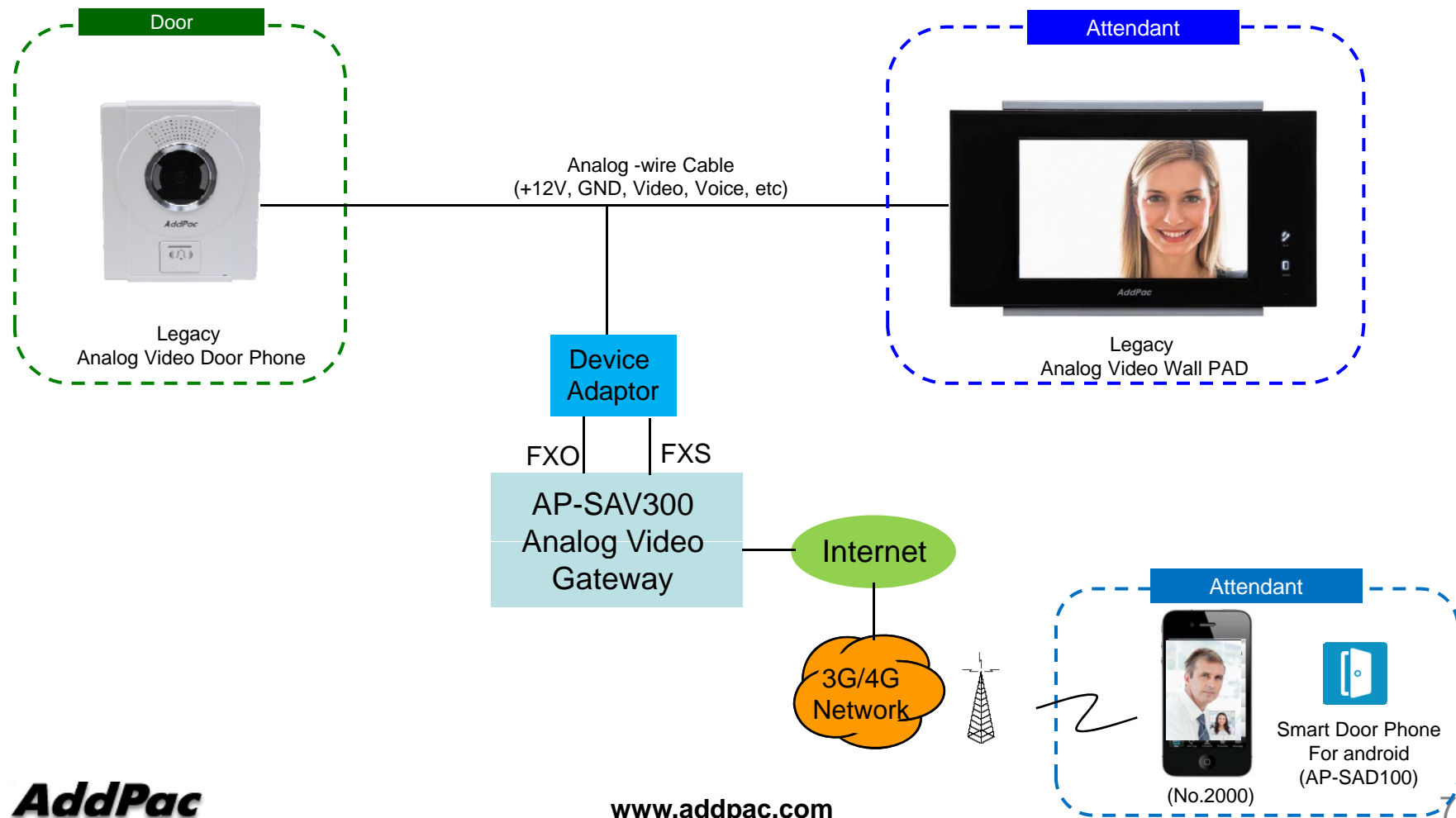
RISC
CPU

- RISC Microprocessor Computing Power
- 1-Port RCA/BNC Type Video Interface
- 1-Port FXS Analog VoIP Interface
- 1-Port FXO Analog VoIP Interface
- Network Interface
 - One(1) 10/100Mbps Fast Ethernet (RJ45)
- 1-Port RS232C Console Interface
- Run LED, LAN LED, Port LEDs
- External Power Supply

Hardware Specification

AP-SAV300 Analog Video Intercom IP Gateway

Analog Video Intercom IP Gateway Service Diagram



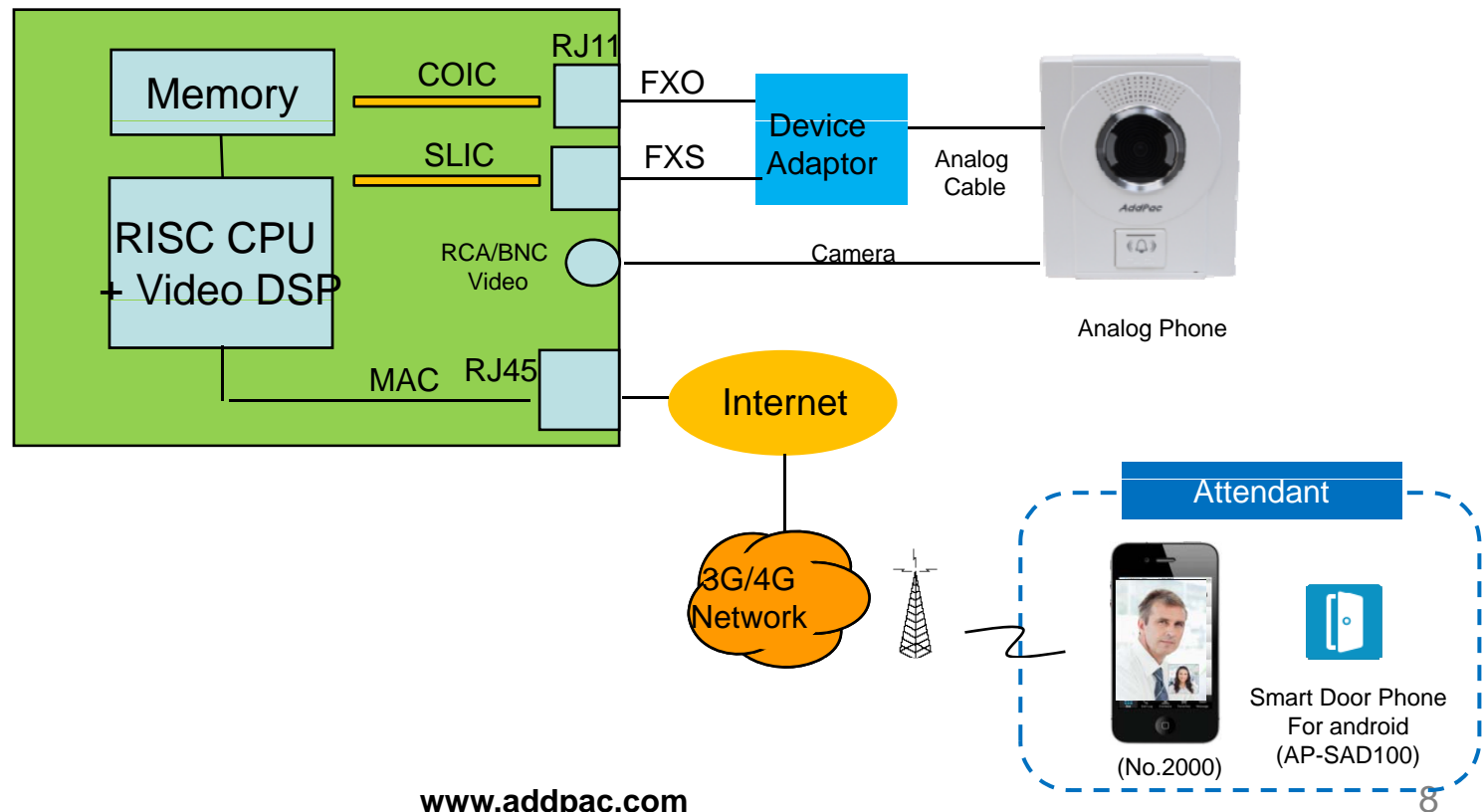
Hardware Specification

AP-SAV300 Analog Video Intercom IP Gateway



Analog Video Gateway Service Diagram

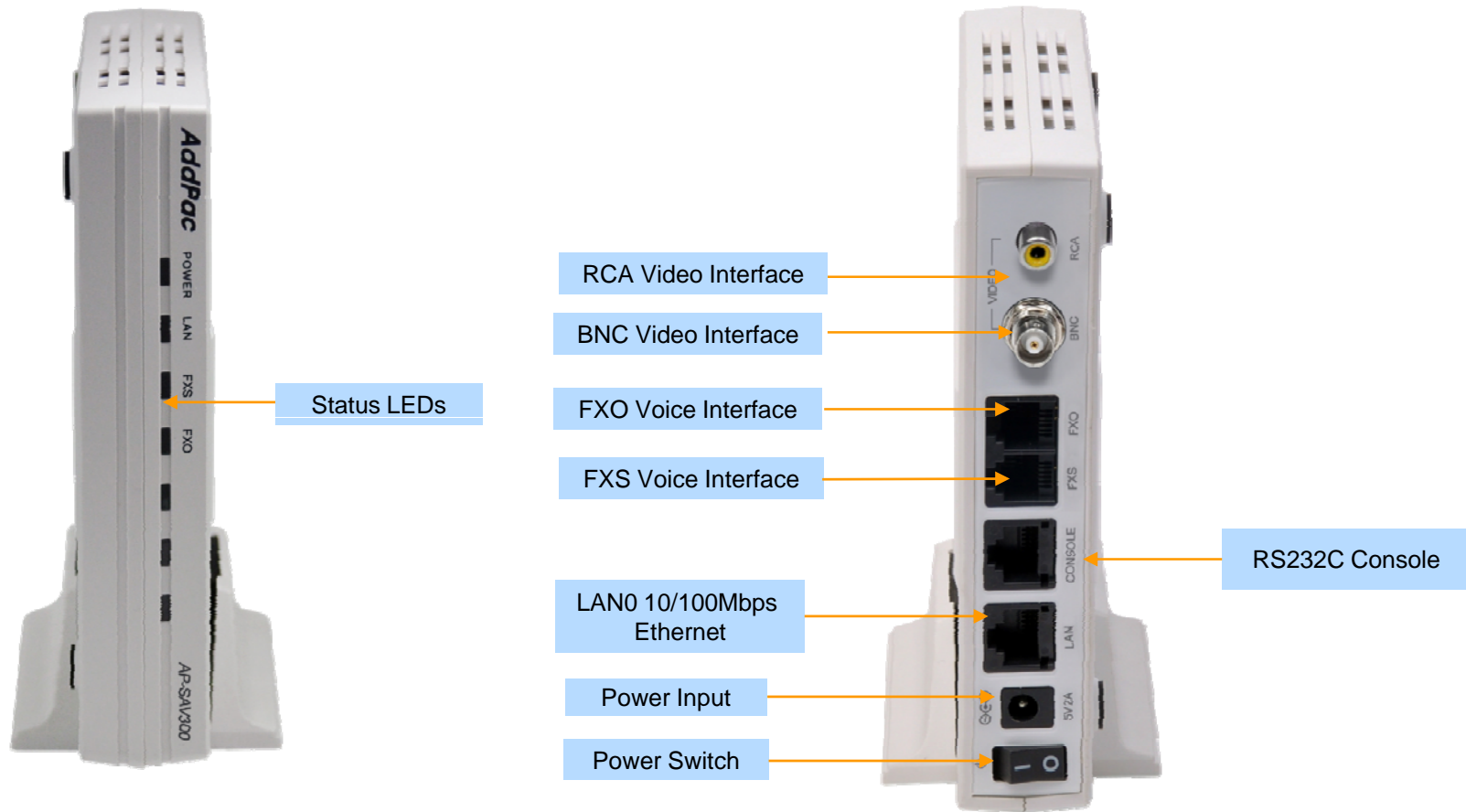
AP-SAV300 Internal H/W Block Diagram



Hardware Specification

AP-SAV300 Analog Video Intercom IP Gateway

Network interface Configurations



VVoIP (Video over IP) Service

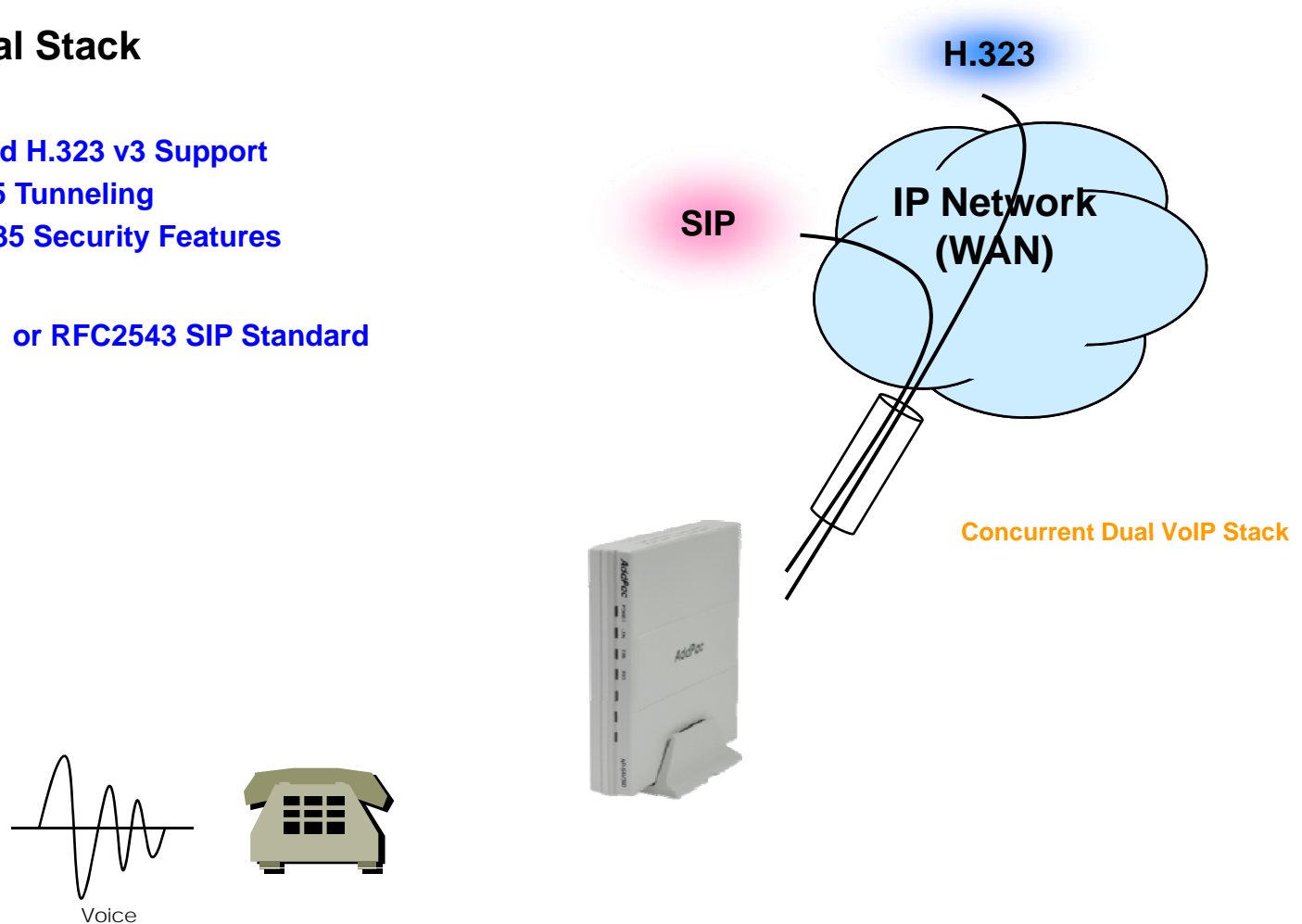
AP-SAV300 Analog Video Intercom IP Gateway

- High-performance Video Codec Support
 - H.264, MPEG4, H.263, etc
- Image Resolution Support
 - Video Encoding : VGA(640x480), QVGA(320x240)
- Up to 30fps with VGA Resolution
- 128Kbps to 1Mbps Operating Video Traffic Bandwidth
- Rate Control for Video Traffic QoS
 - Ensuring Optimized Quality
 - Frame Rate with Limited Bandwidth
- High-end Error Resilient Against Various Packet Error

VoIP (Voice over IP) Service

AP-SAV300 Analog Video Intercom IP Gateway

- **H.323, SIP Dual Stack**
- **H.323**
 - ITU-T Standard H.323 v3 Support
 - Support H.245 Tunneling
 - Including H.235 Security Features
- **SIP**
 - IETF RFC3261 or RFC2543 SIP Standard



VoIP (Voice over IP) Service

AP-SAV300 Analog Video Intercom IP Gateway

- **H.323**

- Fast connect, normal connect support
- H.245 tunneling support
- Q.931 response message setting for inbound VoIP calls
- H.245 logical channel open timing selection function
- Start H.245 procedure support
- DTMF / Hook flash relay with H.245 alphanumeric / signal
- Secondary gatekeeper support
- Gatekeeper assignment according to the domain name
- Gatekeeper discovery with multicast
- Lightweight RRQ support
- Signaling TCP port assignment
- Resource threshold setting with RAI
- H.235 clear-token, crypto-token support
- canMapAlias support
- Technical prefix (supported prefix) support
- Public IP assignment in NAT environment

- **SIP**

- Gateway-based / Endpoint-based registration support
- Secondary proxy-server assignment function
- SIP signaling port change function
- SIP proxy server assignment according to the domain name
- T.38 real-time fax relay support
- DTMF relay support with RFC2833 / OPTION message
- Re-INVITE support

VoIP (Voice over IP) Service

AP-SAV300 Analog Video Intercom IP Gateway

- **Voice Codec**

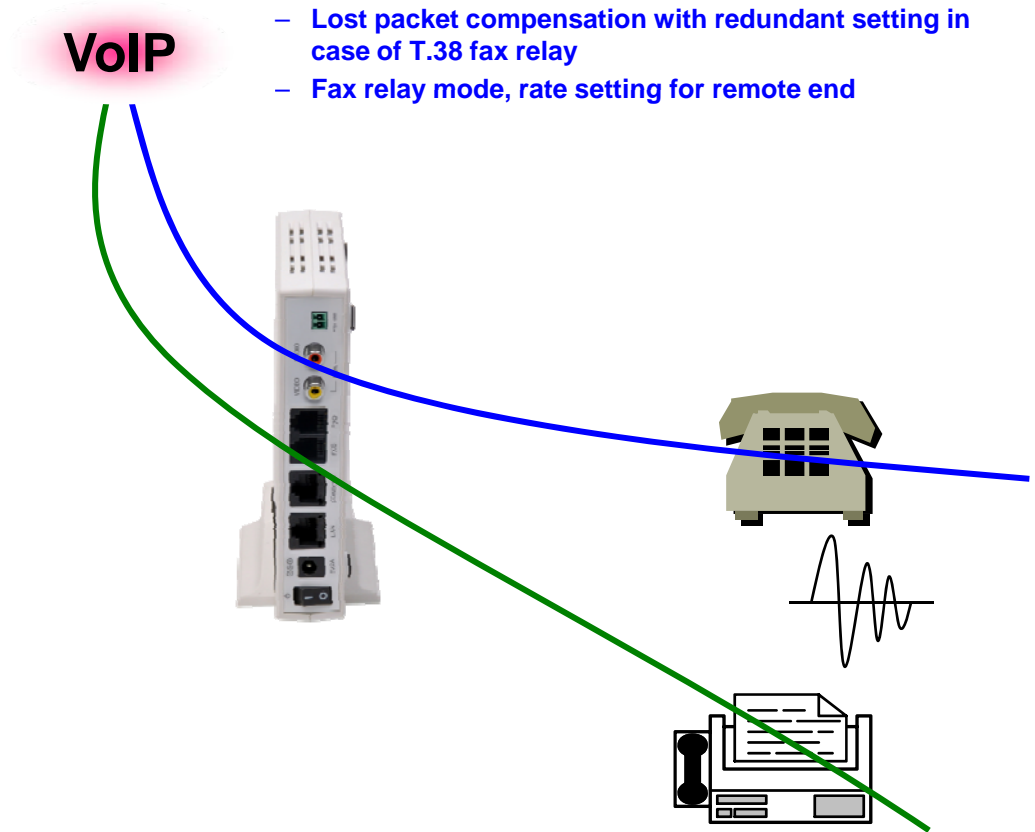
- G.711 A-Law, G.711 U-Law
- G.726 r16, G.726 r32
- G.729A
- G.723.1 r63, G.723.1 r53
- VAD (Voice Activity Detection) function support
- DTMF relay support (H.323, SIP, MGCP common) based on RFC2833

- **RTP**

- Redundant RTP packet transmission in case of severe packet loss
- Dynamic jitter buffer management and RTP packet jitter and loss compensation with heuristic & DSP error concealment
- Static jitter buffer setting support
- Voice frame per RTP packet number control for each codec
- In-band ring-back tone support
- Virtual ring-back tone support
- Tone parameter change support

- **FAX**

- Fax relay mode supporting T.38, inband-T.38, bypass mode
- Lost packet compensation with redundant setting in case of T.38 fax relay
- Fax relay mode, rate setting for remote end



VoIP (Voice over IP) Service

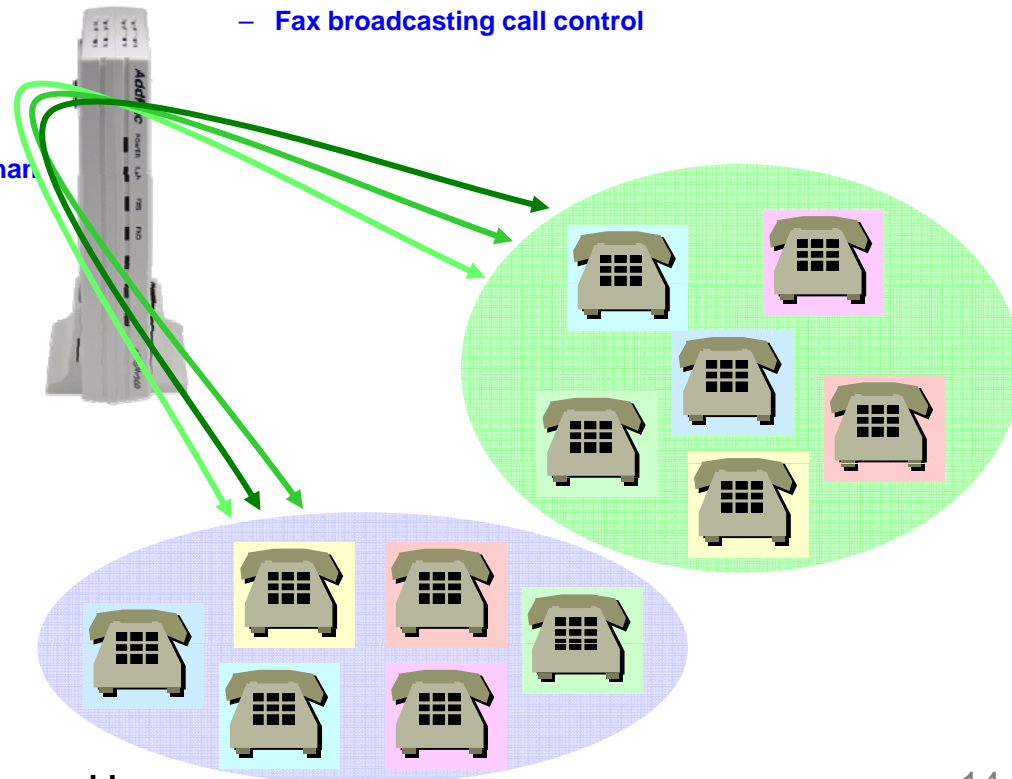
AP-SAV300 Analog Video Intercom IP Gateway

• VoIP Call Controls

- Hot line connection function with PLAR (Private Line Auto Ring Down)
- Leased line emulation function
- Connection monitoring function
- Fault tolerant with Redundancy and Call Distribution among Gateways for load balancing
- Call attempt with IP address
- H.323, SIP, MGCP inbound call connection for each voice port
- Multiple E.164 setting for one voice port
- One E.164 or digit pattern can be assigned to more than one voice port
- Hunting with Longest match/ priority/ sequence/ random
- One stage call setup by Digit forwarding
- Call barring with specific digit patterns
- Calling and called number conversion for PSTN outbound calls
- PSTN rerouting in case of VoIP call attempt failure

• VoIP Call Controls (cont.)

- Call transfer for internal calls
- Call pickup for internal calls
- Calling and called number conversion for VoIP outbound calls
- Calling and called number conversion for VoIP inbound calls
- Fax broadcasting call control



Network Protocols

AP-SAV300 Analog Video Intercom IP Gateway

Basic Network Protocols

- ARP, IPv4, TCP, UDP, ICMP, SCTP, IGMP, MLD

Routing Protocol

- IPv4 : Static

Service Protocol

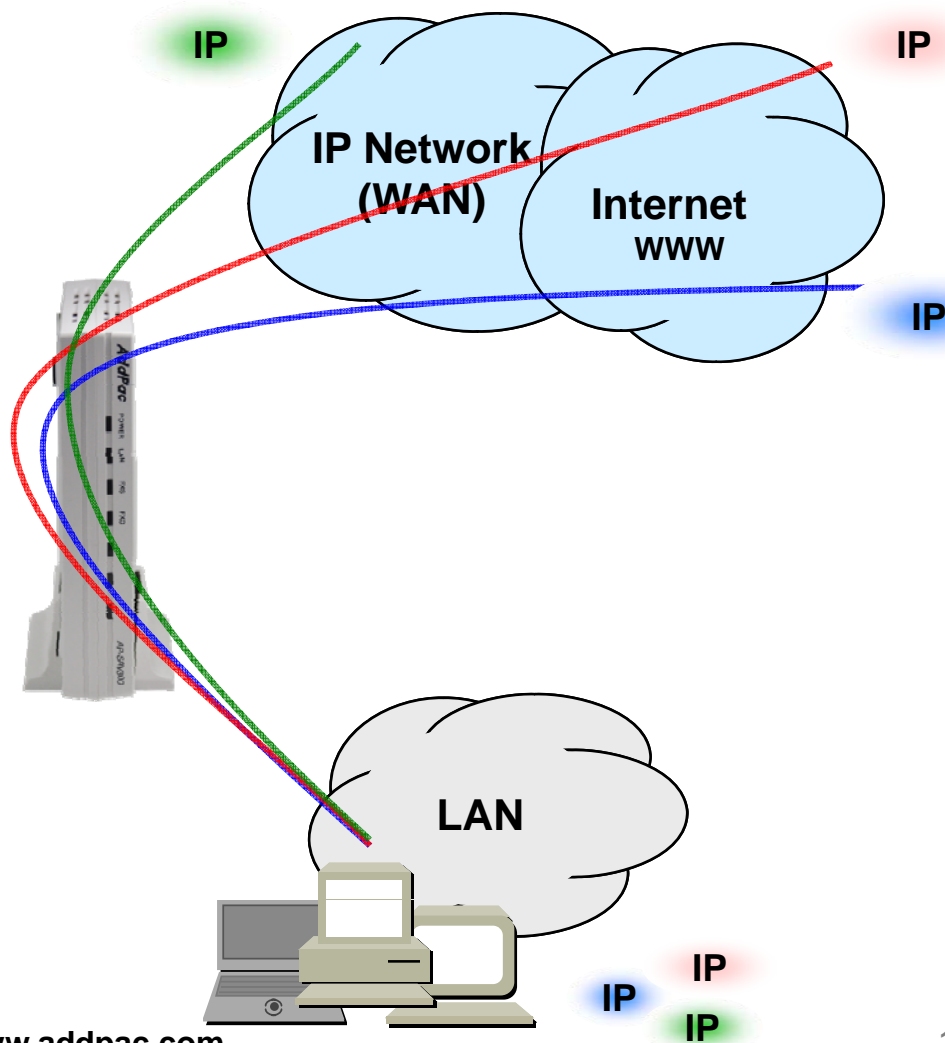
- FTP, Telnet, TFTP, DHCP Server/Relay, SNMP Server
- CDP (Cisco Discovery Protocol)
- DNS Resolver , DDNS(nsupdate)
- Bridge
- Syslog

IPv4 Address Configuration

- Fixed (Static)
- DHCP
- PPPoE

Miscellaneous

- Cisco Style CLI
- Standard & Extended IPv4 Access List
- Multi-level User Account Management
- IP accounting
- STUN Client



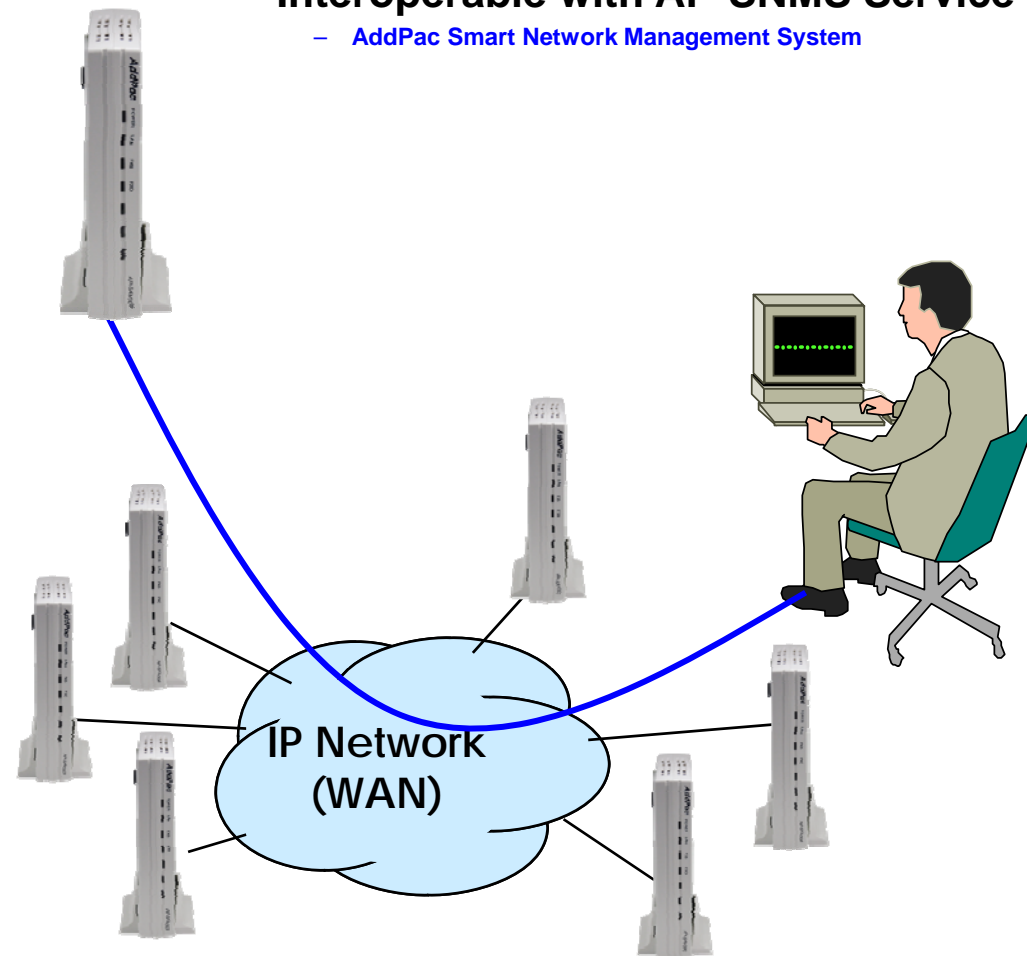
Network Management

AP-SAV300 Analog Video Intercom IP Gateway

- **SNMP**
 - Standard Simple Network Management Protocol(SNMP) Agent support
 - MIB v1 and v2 Support
- **Web-based Management**
 - Smart Easy Setup
 - Standard Voice Interface
 - Standard PSTN Back-up Interface
- **Watch-dog Function**
 - Hardware, Software watch-dog services
- **Remote Management**
 - Telnet
 - Rlogin
- **Auto Upgrade Service**
 - HTTP server based APOS image and configuration file auto-upgrade support
- **Batch Job Function**
 - Text based script downloading

- **Interoperable with AP-SNMS Service**

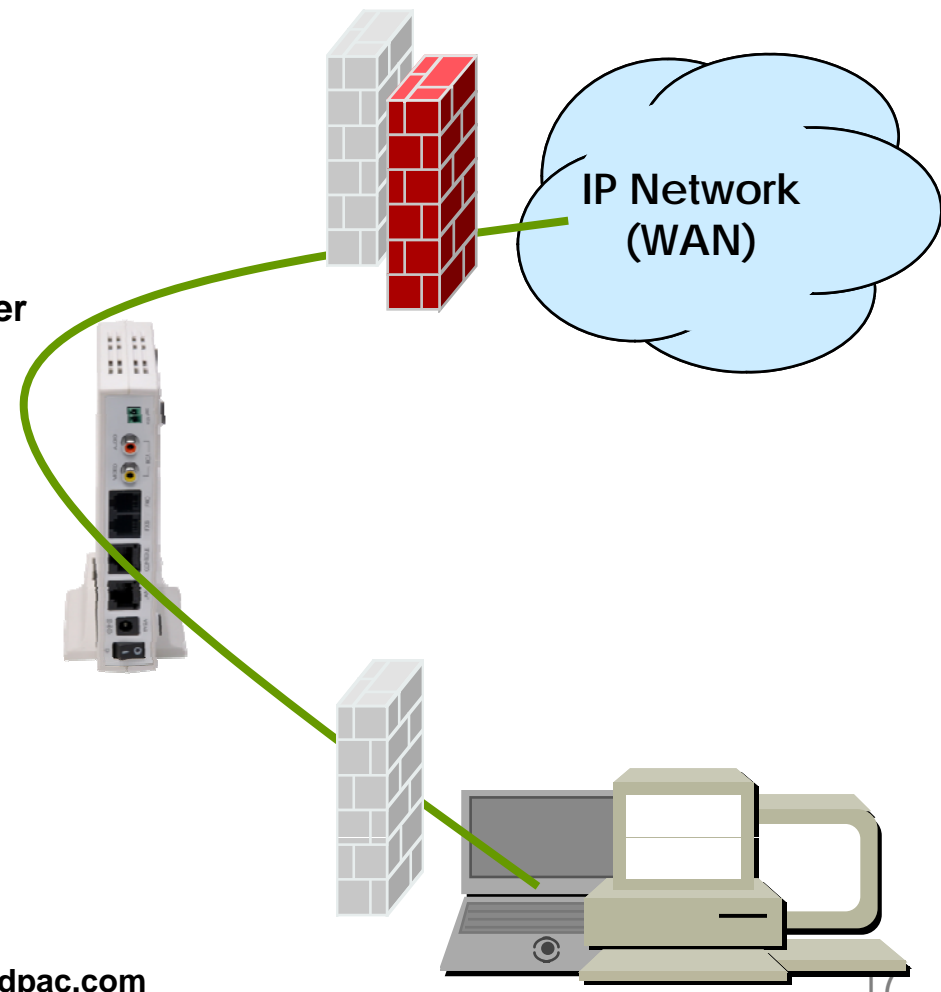
- AddPac Smart Network Management System



Security Management

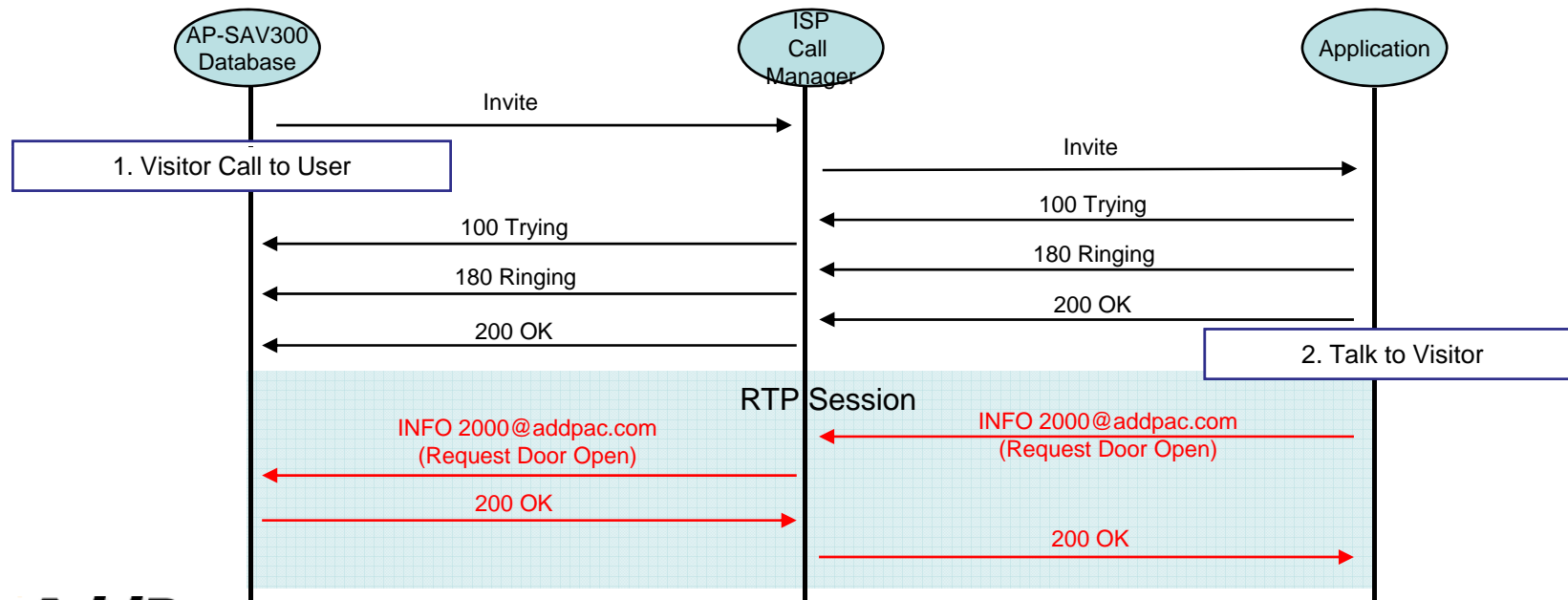
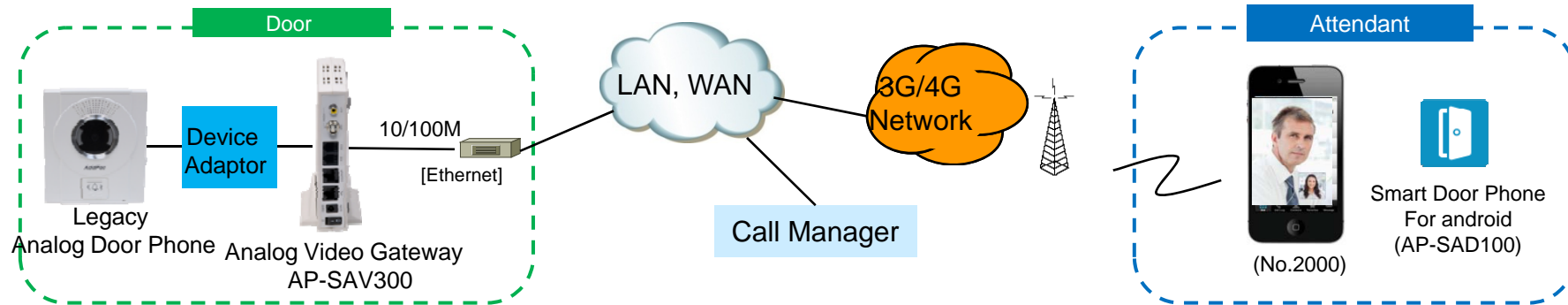
AP-SAV300 Analog Video Intercom IP Gateway

- IP packet filtering
- IP access list
- User authentication function
 - Password Authentication Protocol (PAP)
 - Challenge Handshake Authentication Protocol (CHAP)
- Enable/Disable specific protocols
- Auto-square connect of Telnet session
- Account Management function for multi-level user
- SNMP/TELNET/FTP/HTTP/TFTP port assignment function
- SNMP/TELNET/FTP access list management
- Boot mode security checking function



Standard Application

AP-SAV300 Analog Video Intercom IP Gateway



Ordering Information

- **AP-SAV300 Smart Analog Video Gateway Hardware**
 - AP-SAV300 Main Body
 - RISC Microprocessor
 - 1-Port FXS Analog VoIP Interface
 - 1-Port FXO Analog VoIP Interface
 - 1-Port 10/100Mbps Fast Ethernet(RJ45)
 - 1-Port RS-232C Console Port
 - 1-Port RCA/BNC Type Video Input
 - Including Network Cable, Antenna & Ext. Power Supply, etc.
- **Built-in APOS Internetworking Software for AP-SAV300**
- **Including 1 Year Hardware Warranty**
- **Product Documents**
 - Install and Operation Guide (PDF)
- **Pricing**
 - AddPac Technology Regional Sales Manager
 - Authorized Sales and Marketing Representatives
 - Please Contact www.addpac.com



Thank you!

AddPac Technology Co., Ltd.
Sales and Marketing

Phone +82.2.568.3848 (KOREA)

FAX +82.2.568.3847 (KOREA)

E-mail sales@addpac.com