



# AP-SH1000 Enterprise Smart Hub for Z Sensors

High Performance Enterprise Smart Home Solution for  
Zigbee/Zwave Sensors

WiFi ZigBee/ZWave Modules



**AddPac**

**AddPac Technology**

2015, Sales and Marketing

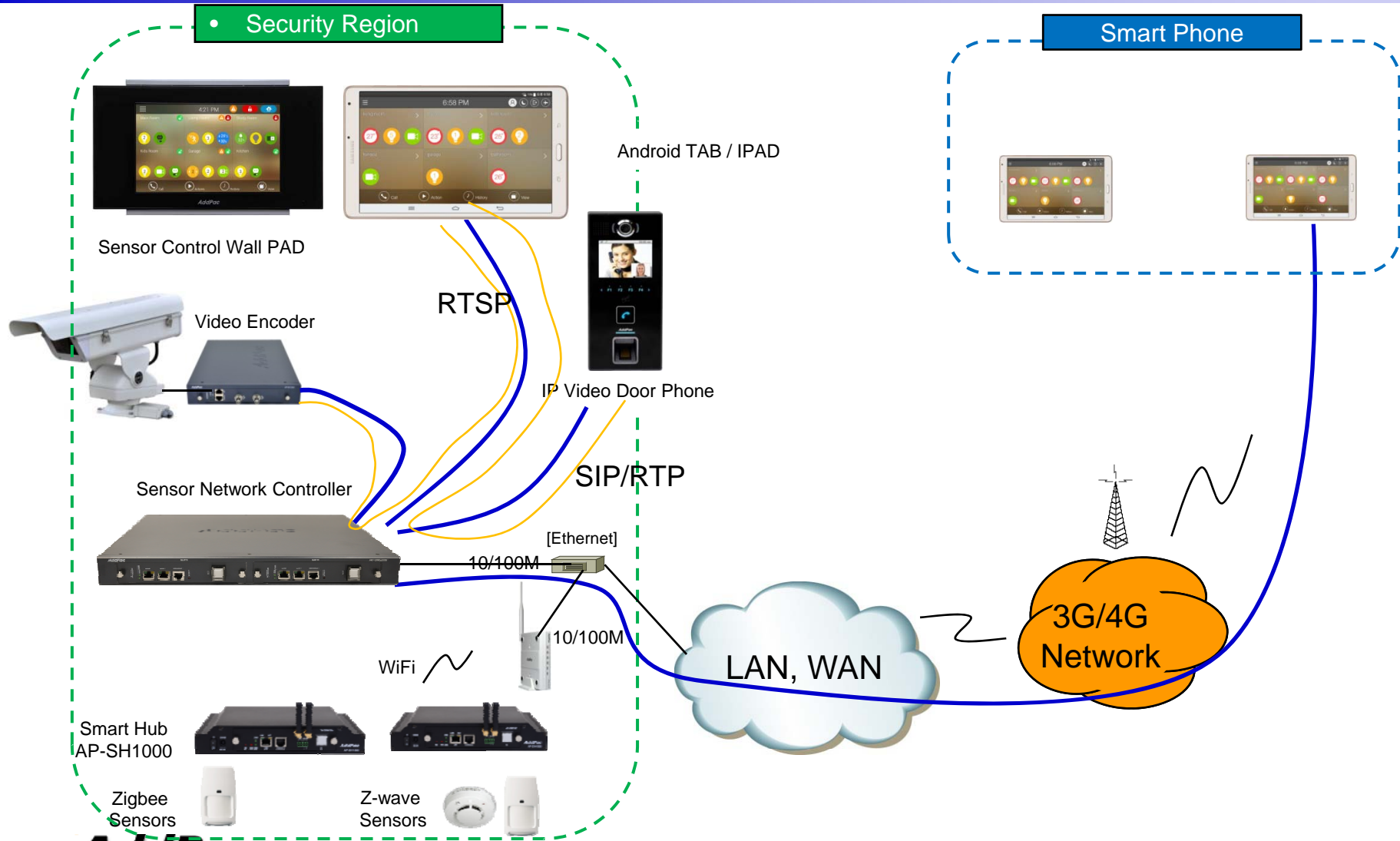
[www.addpac.com](http://www.addpac.com)

# Contents

- AP-SH1000 Enterprise Smart Hub Network Diagram
- Product Overview
- Hardware Specification

# Standard Application

## AP-SH1000 Enterprise Smart Hub for Z sensors



# Product Overview

## AP-SH1000 Enterprise Smart Hub for Z sensors

- Advanced Smart Enterprise Solution
- Zigbee/Zwave Dual Sensor Interface Support
- Smart IP Routing Service Features for Sensor Network
- AddPac IoT Solution Interworking Service Features
- Smart Hub Interworking Support for Third Party
- Module Type Hardware Architecture for Flexibility and Scalability
- High Performance RISC Programmable Architecture
- One 10/100Mbps Fast Ethernet
- USB based WiFi Module Support
- External Antenna Support for Zwave/ZigBee Sensor Device
- High Performance LAN-to-Zigbee/Zwave Routing Capability
- Powerful Network Protocols (PPPoE, DHCP, Static Routing, etc)
- Firmware Upgradeable Architecture
- Smart Web based Management
- Light and Compact Design with External Power Supply

# Hardware Specification




AP-SH1000 Enterprise Smart Hub for Z sensors

A logo consisting of a dark blue square with the text "RISC CPU" in white, centered within the square. The square is set against a light blue background.

- RISC Microprocessor Computing Power
- Z Sensor Interface Modules
  - AP-ZBW200 : ZigBee and ZWave Dual Interface
  - AP-ZW200 : ZWave Interface, One(1) Antenna
  - AP-ZW204 : ZWave Interface, Four(4) Antenna
- Speaker & Beacon Port
- Network Interface
  - One(1) 10/100Mbps Fast Ethernet (RJ45)
  - One(1) USB Port for WiFi USB Module
- One(1) RS232C Console Port
- Run LED, LAN LED, etc
- External Power Supply

# Hardware Specification

## AP-SH1000 Enterprise Smart Hub for Z sensors

Module	AP-ZBW200	AP-ZW200	AP-ZW204
Specification			
ZigBee Interface	Support	N/A	N/A
ZigBee Antenna	1	N/A	N/A
ZWave Interface	Support	Support	Support
ZWave Antenna	1	1	4
Network Interface	10/100Mbps Fast Ethernet	10/100Mbps Fast Ethernet	10/100Mbps Fast Ethernet
USB Interface	WiFi USB Module Support	WiFi USB Module Support	WiFi USB Module Support
RS232C Console	1	1	1
Speaker & Beacon Port	Support	Support	Support

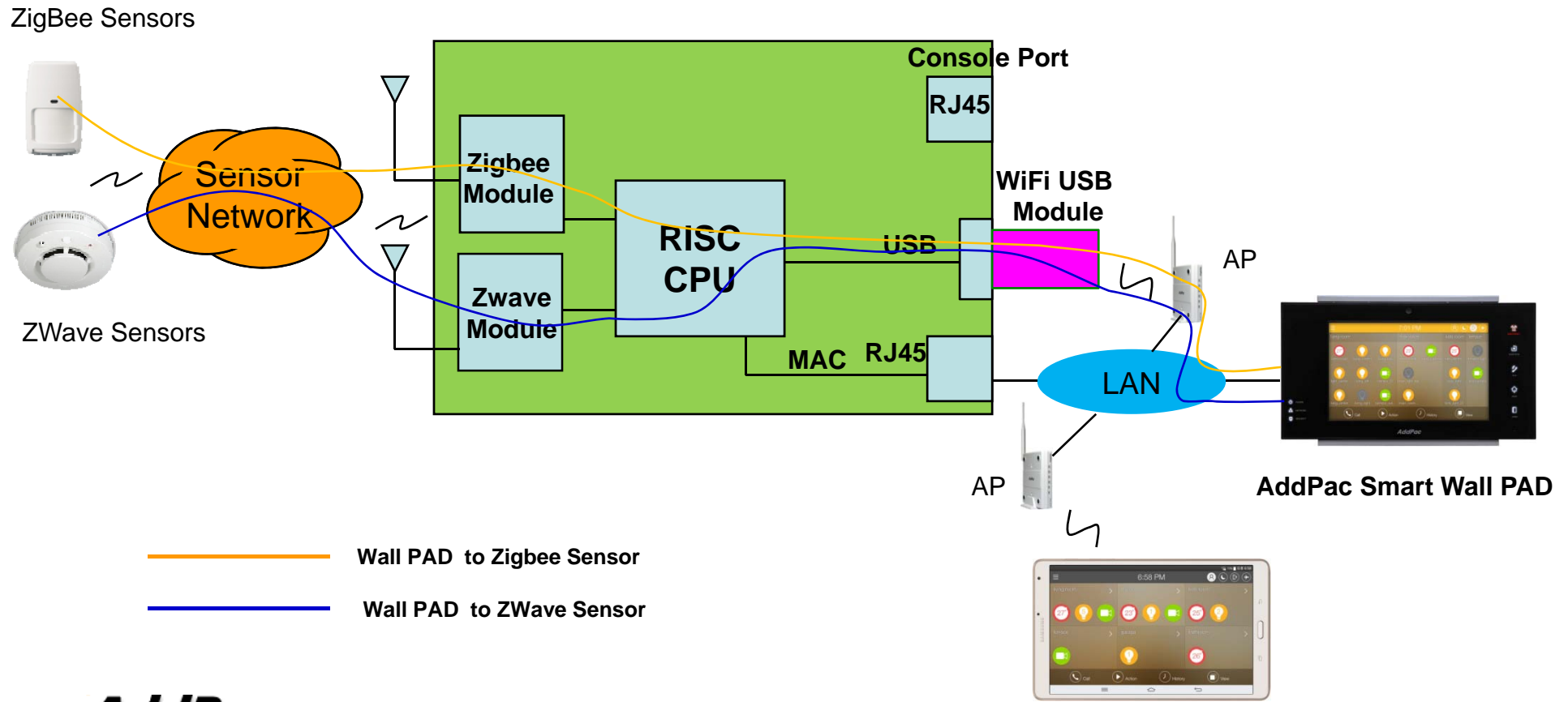
# Hardware Specification

AP-SH1000 Enterprise Smart Hub for Z sensors



## Smart Hub Service Diagram

AP-SH1000 Enterprise Smart Hub Internal H/W Block Diagram



# Hardware Specification

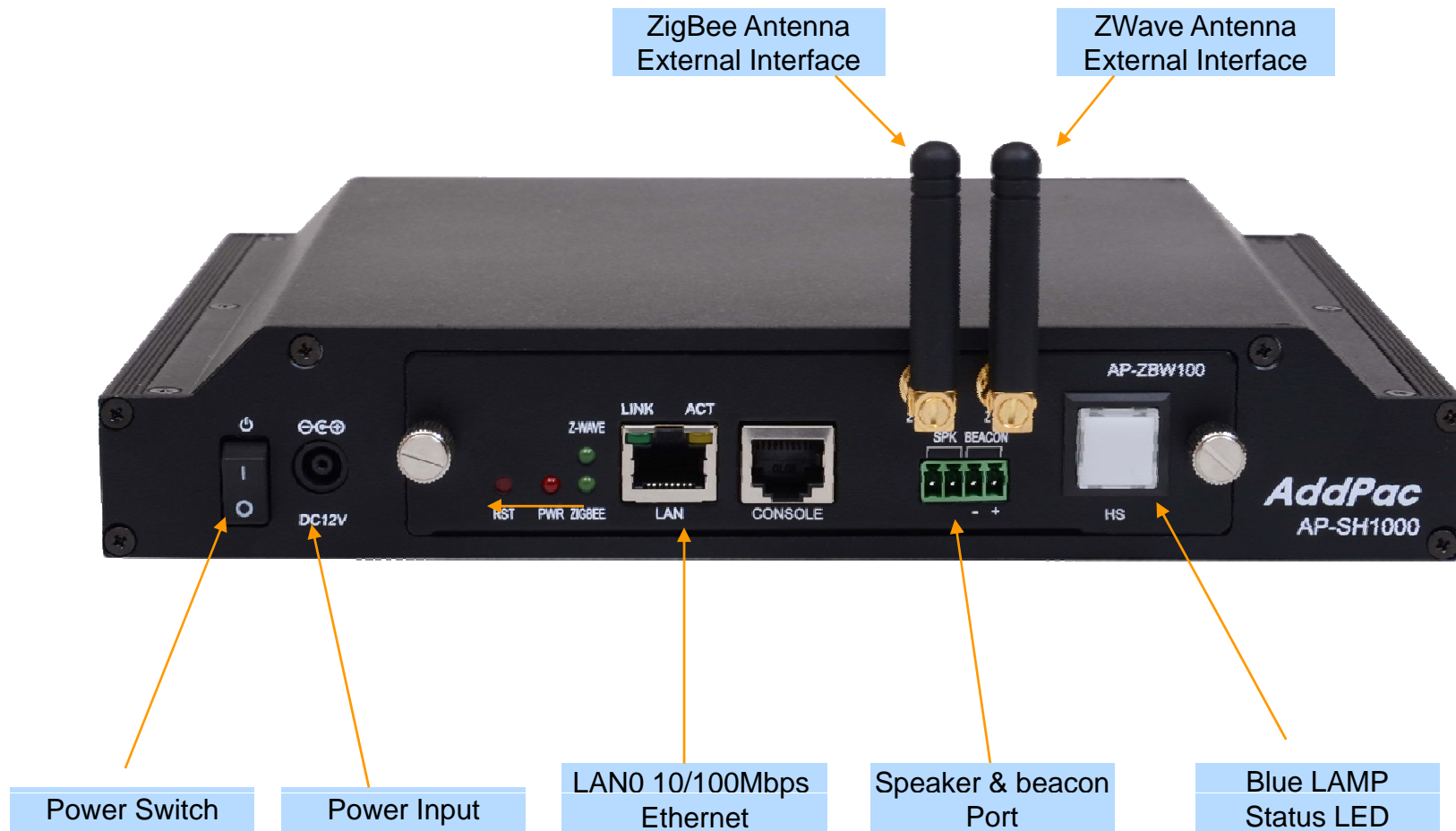
## AP-SH1000 Enterprise Smart Hub for Z sensors

<b>AP-SH1000 Enterprise Smart Hub</b>	<b>Basic Specifications</b>
<b>AP-ZBW100 Sensor Interface Module</b>	One(1)-Port ZigBee Interface with One(1) Antenna Port
	One(1)-Port ZWave Interface with One(1) Antenna Port
<b>AP-ZW100 Sensor Interface Module</b>	One(1)-Port ZWave Interface with One(1) Antenna Port
<b>AP-ZW104 Sensor Interface Module</b>	One(1)-Port ZWave Interface with Four(4) Antenna Port
<b>Ethernet Interface</b>	1-Port 10/100Mbps Ethernet Interface(1 x RJ45)
<b>Console Interface</b>	1-Port RS-232C Console Interface ( 1 x RJ45)
<b>Flash Memory</b>	4Mbyte High-speed Flash Memory
<b>Base Memory</b>	32Mbyte High-speed SDRAM
<b>Power Requirement</b>	Power Supply Adaptor / VAC 110~220V, 50/60Hz, 12V, 1A
<b>Operating Temperature</b>	0°C ~ 45°C (32 °F ~ 122°F)
<b>Storage Temperature</b>	-40°C ~ 85°C (-40°C ~ 185°F)
<b>Relative Humidity</b>	5% ~ 95% (Non-condensing)
<b>Dimension (H x W x D)</b>	40 mm x 230 mm x 175 mm
<b>Weight (Kg)</b>	1.25Kg



# Hardware Specification

AP-SH1000 Enterprise Smart Hub for Z sensors



# Smart Hub Series

# Thank you!

**AddPac Technology Co., Ltd.**  
Sales and Marketing

Phone +82.2.568.3848 (KOREA)

FAX +82.2.568.3847 (KOREA)

E-mail [sales@addpac.com](mailto:sales@addpac.com)