

AP-VAC200

IP Video Door Phone

High Performance Fingerprint Recognition IP Video Door Phone Solution



AP-VAC200



AP-SMP100 Smart Communicator

Interworking with Smart Communicator
(AddPac Soft Video Phone)

AddPac

AddPac Technology

2013, Sales and Marketing

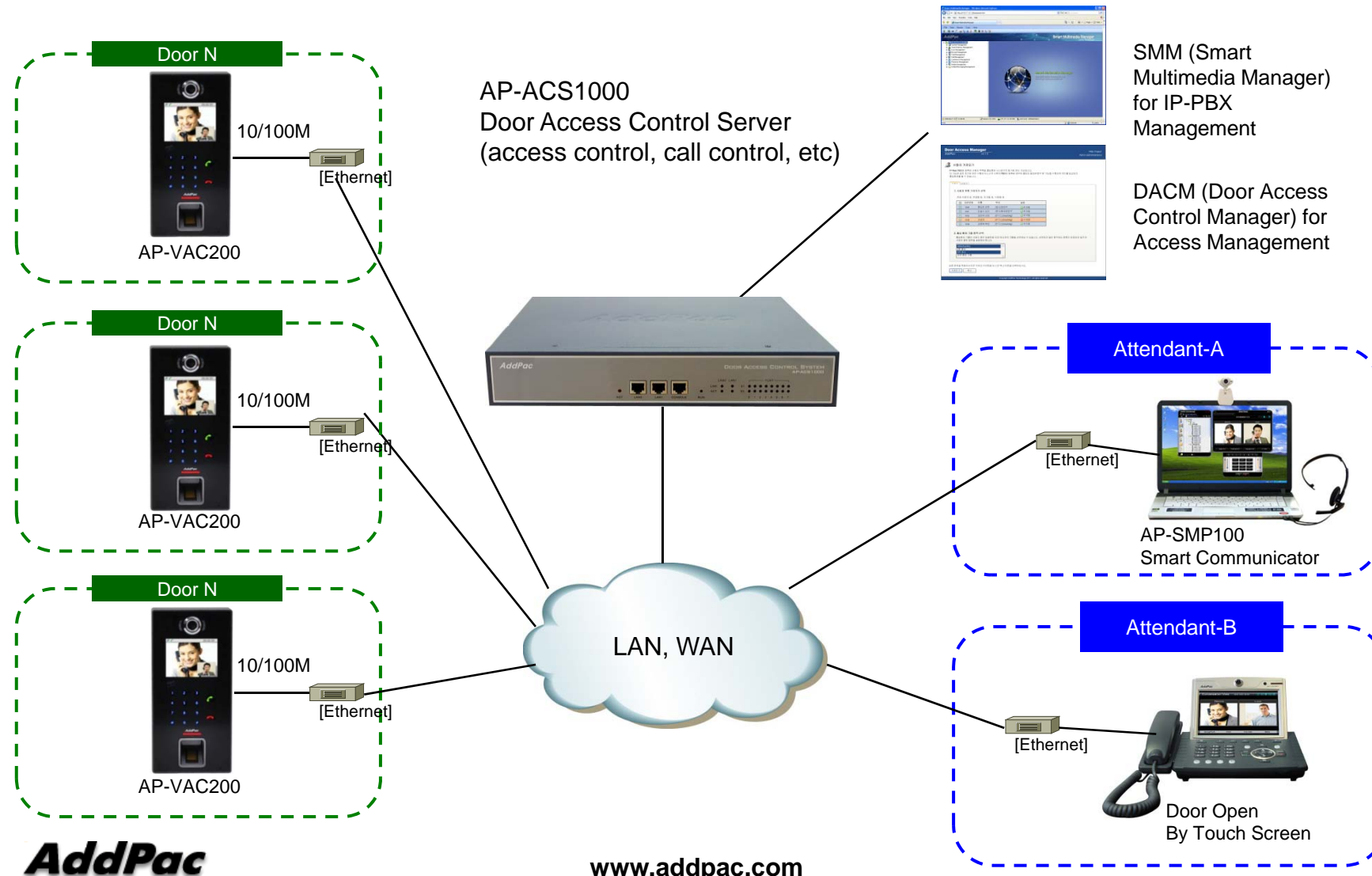
Contents

- Network Diagram
 - Integrated Door Access Control and Call Control
 - Legacy PBX Environment
 - Legacy IP-PBX Environment
 - Interworking with Smart Communicator
- DACS System Message Flow
 - Registration and Keep Alive
 - Access Privilege and Schedule Download
 - RF Card Read/Write and Registration
 - Fingerprint Read/Write and Registration
 - Door Open by RF Card, Fingerprint and Password
 - Door Open by AP-SMP100 Smart Communicator



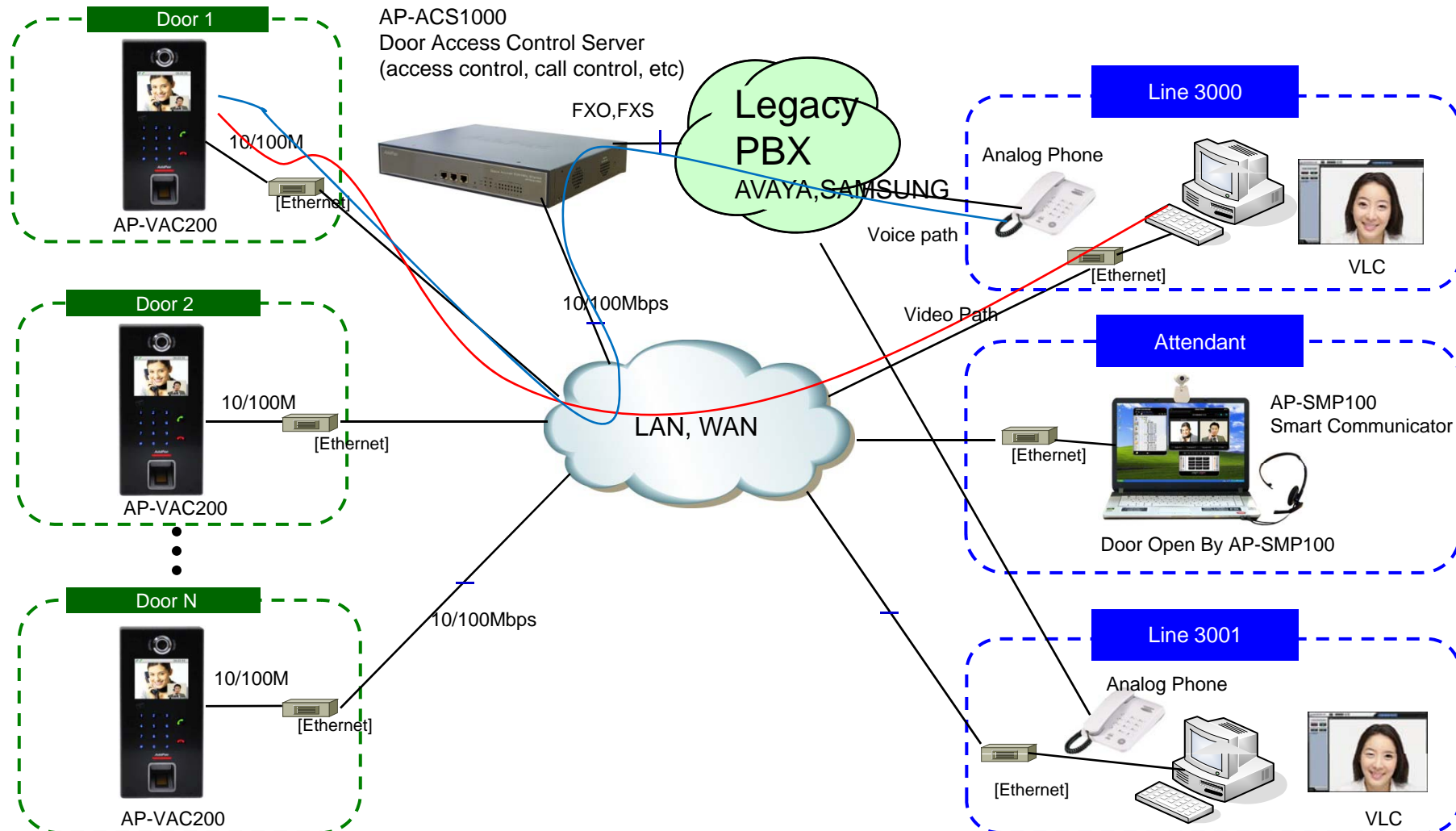
Network Diagram

Integrated Door Access Control and Call Control



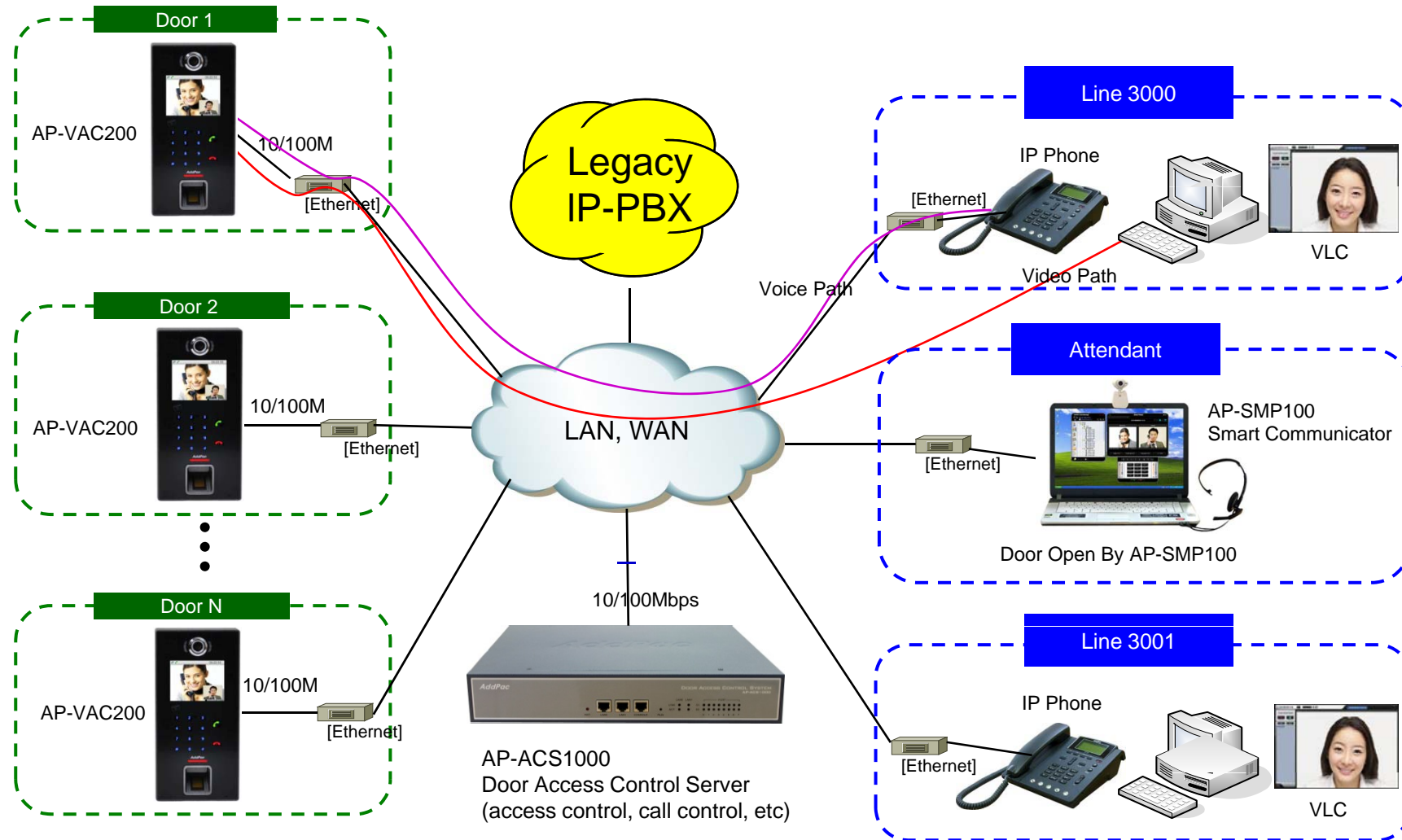
Network Diagram

Legacy PBX Environment



Network Diagram

Legacy IP-PBX Environment



Network Diagram

Interworking with Smart Communicator



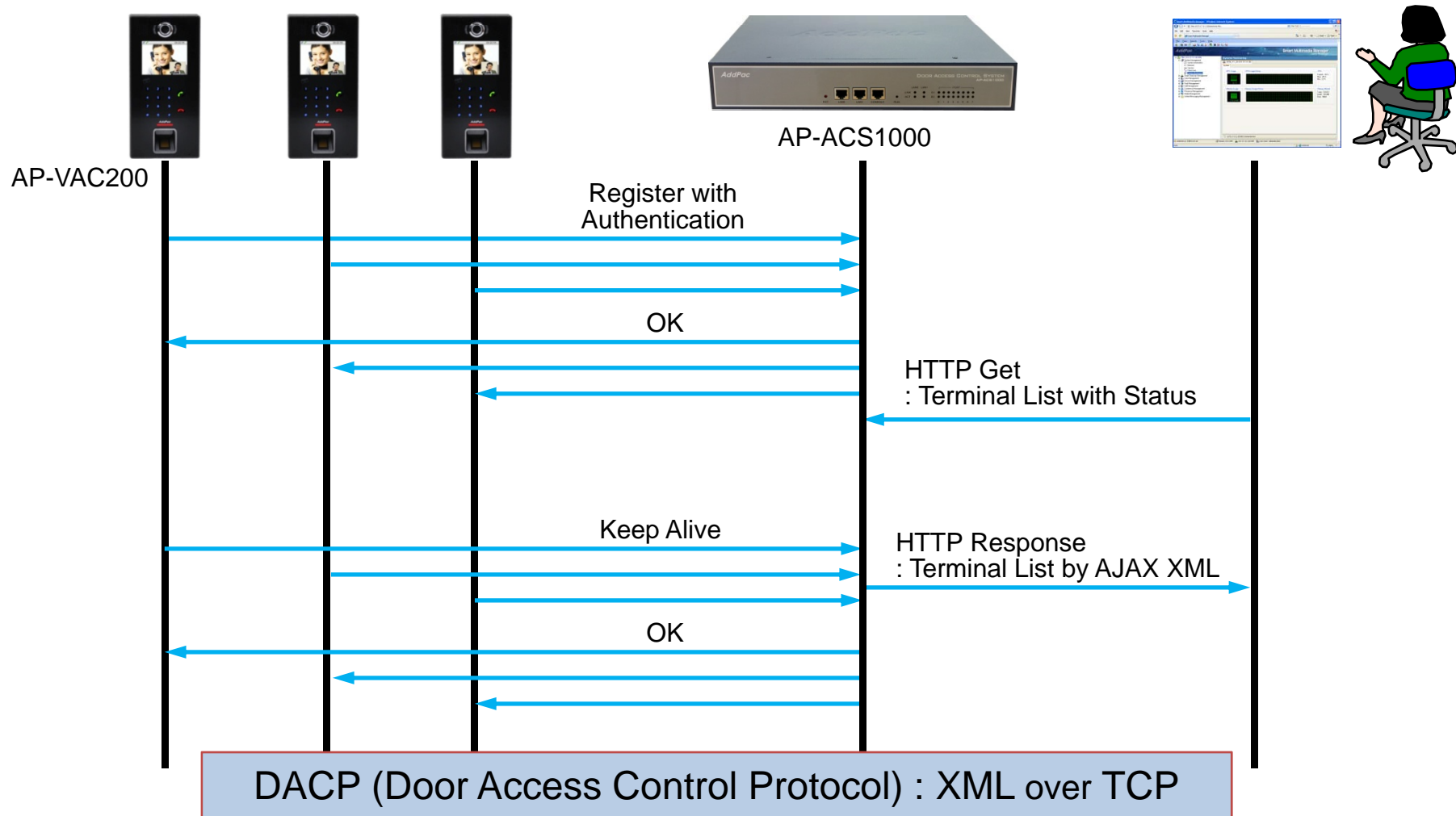
- Door Open By AP-SMP100 Soft key(Feature Code)
- AP-VAC200 security Option
 - Video Display Mute (Local View Only)
- AP-SMP100 security Option
 - Local Camera Mute(Privacy) On/Off
 - Support Camera Mute Image



DACS System Message Flow

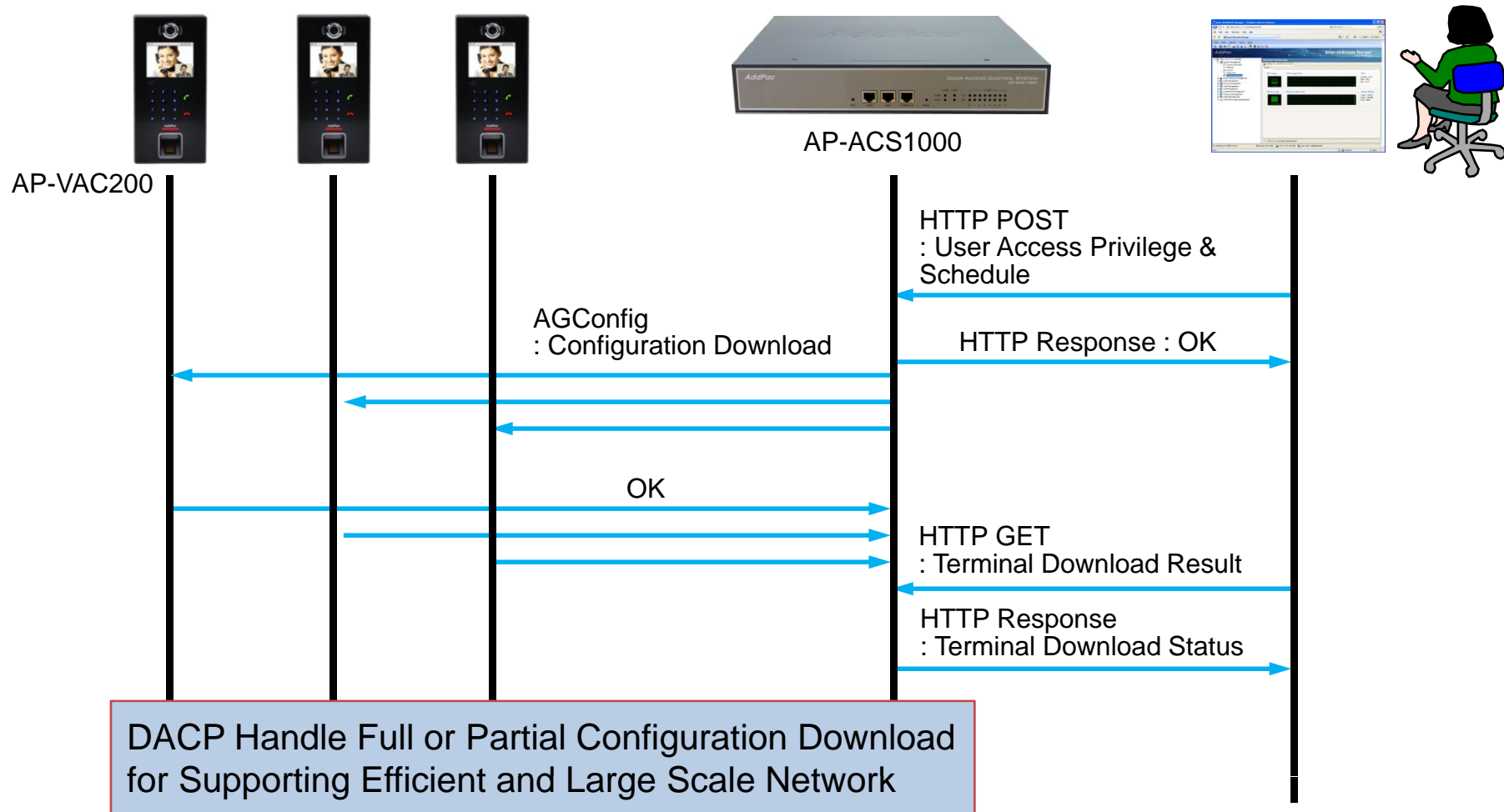
DACS System Message Flow

Registration and Keep Alive



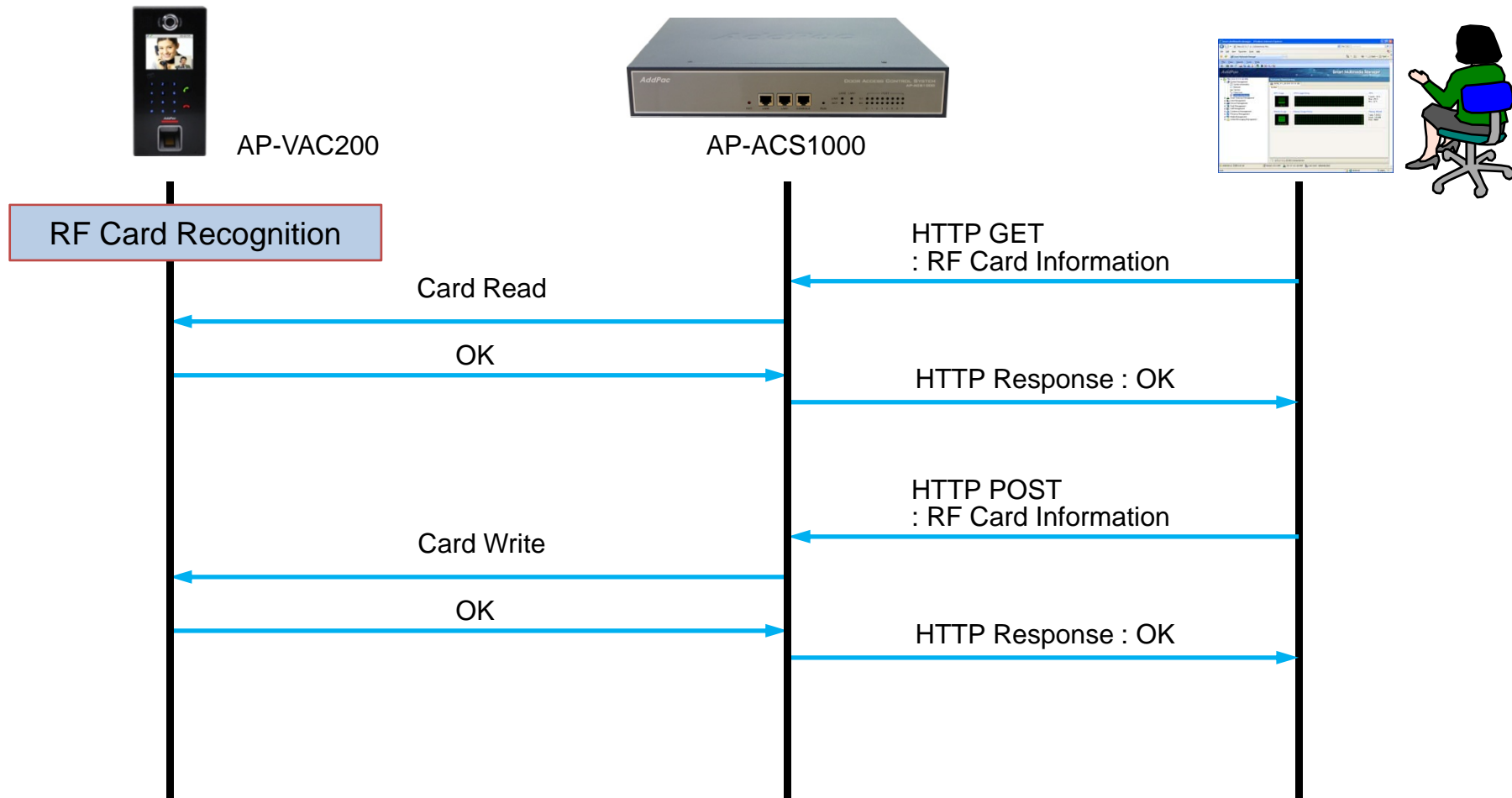
DACS System Message Flow

Access Privilege and Schedule Download



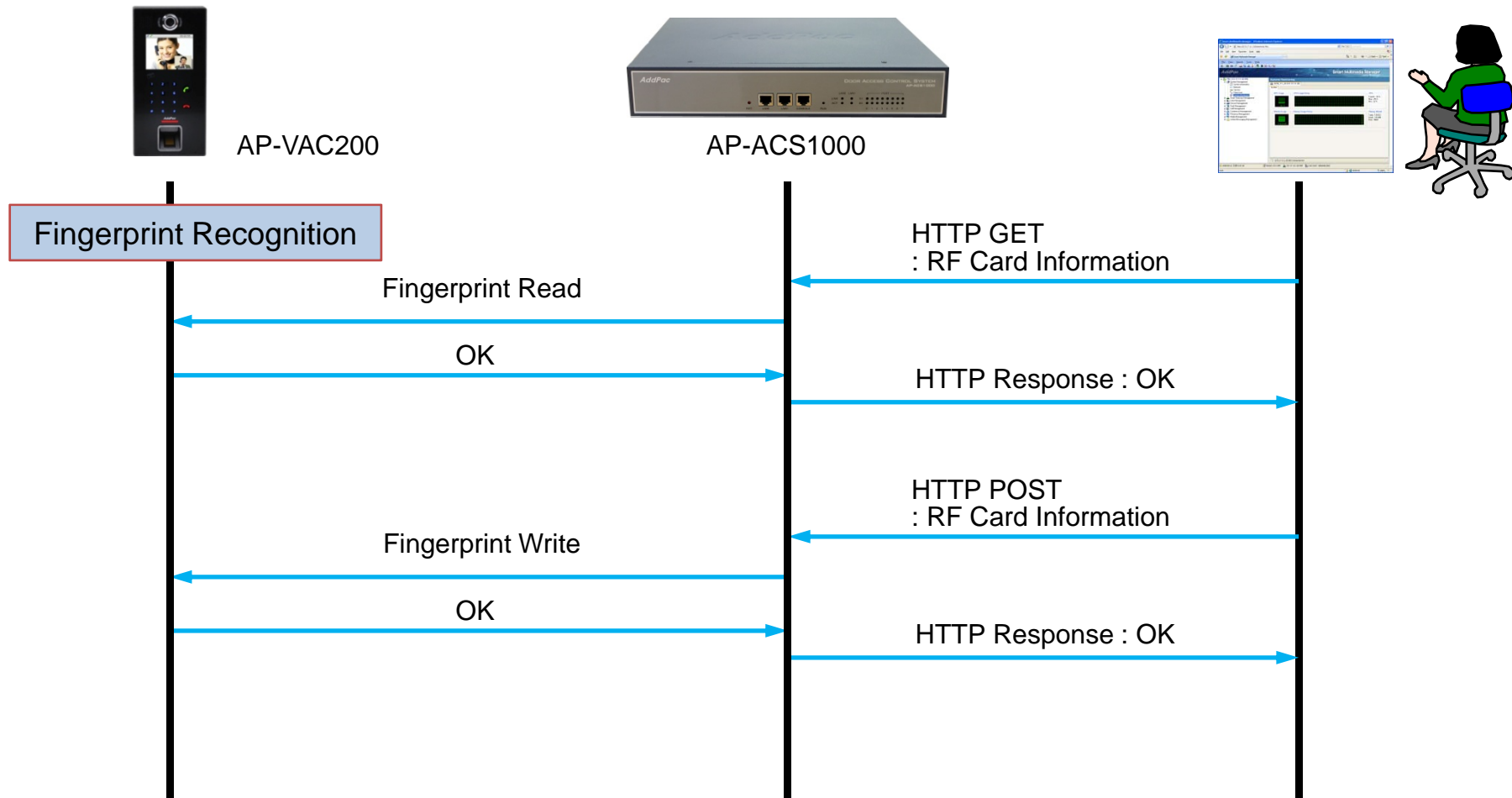
DACS System Message Flow

RF Card Read/Write and Registration



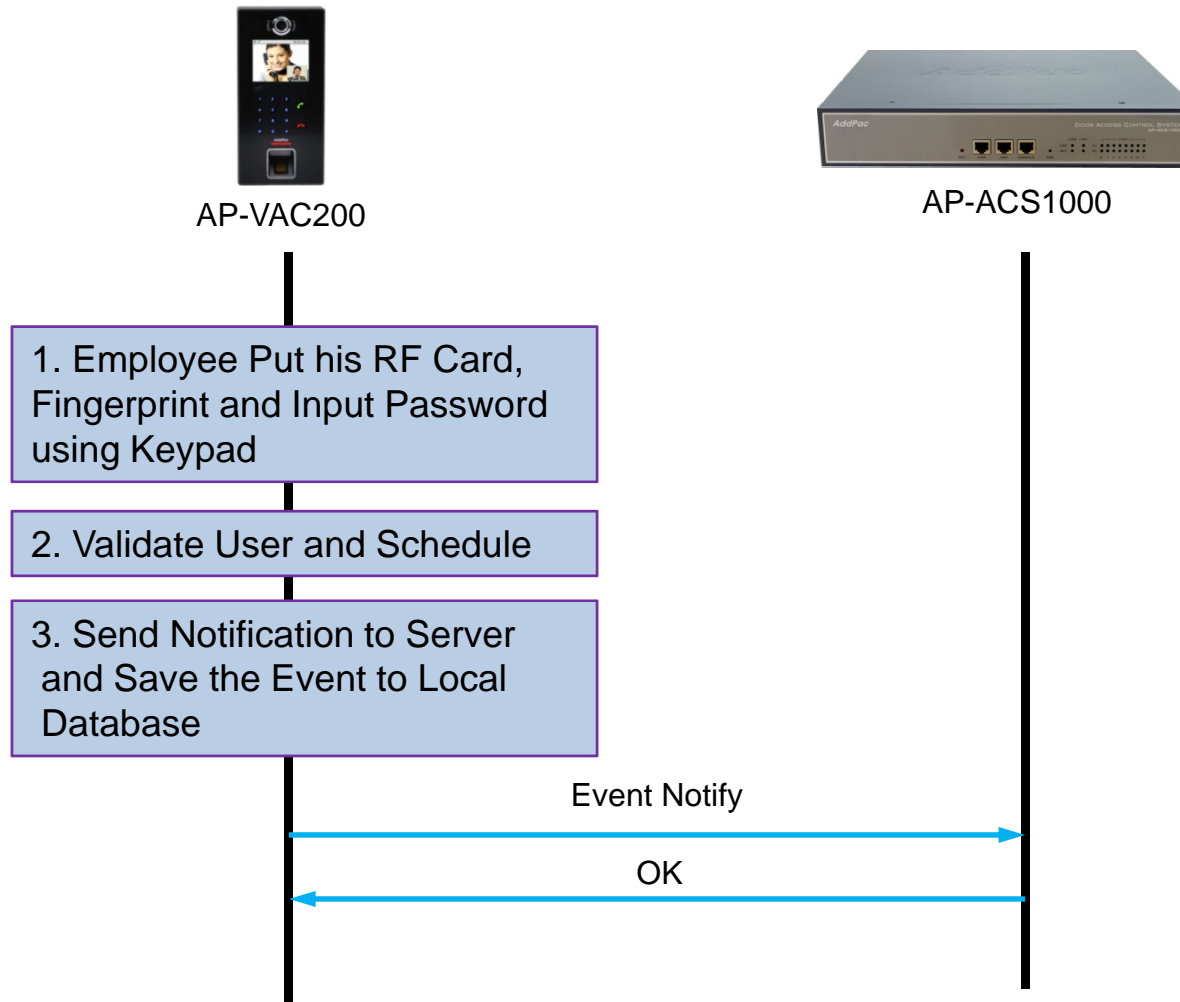
DACS System Message Flow

Fingerprint Read/Write and Registration



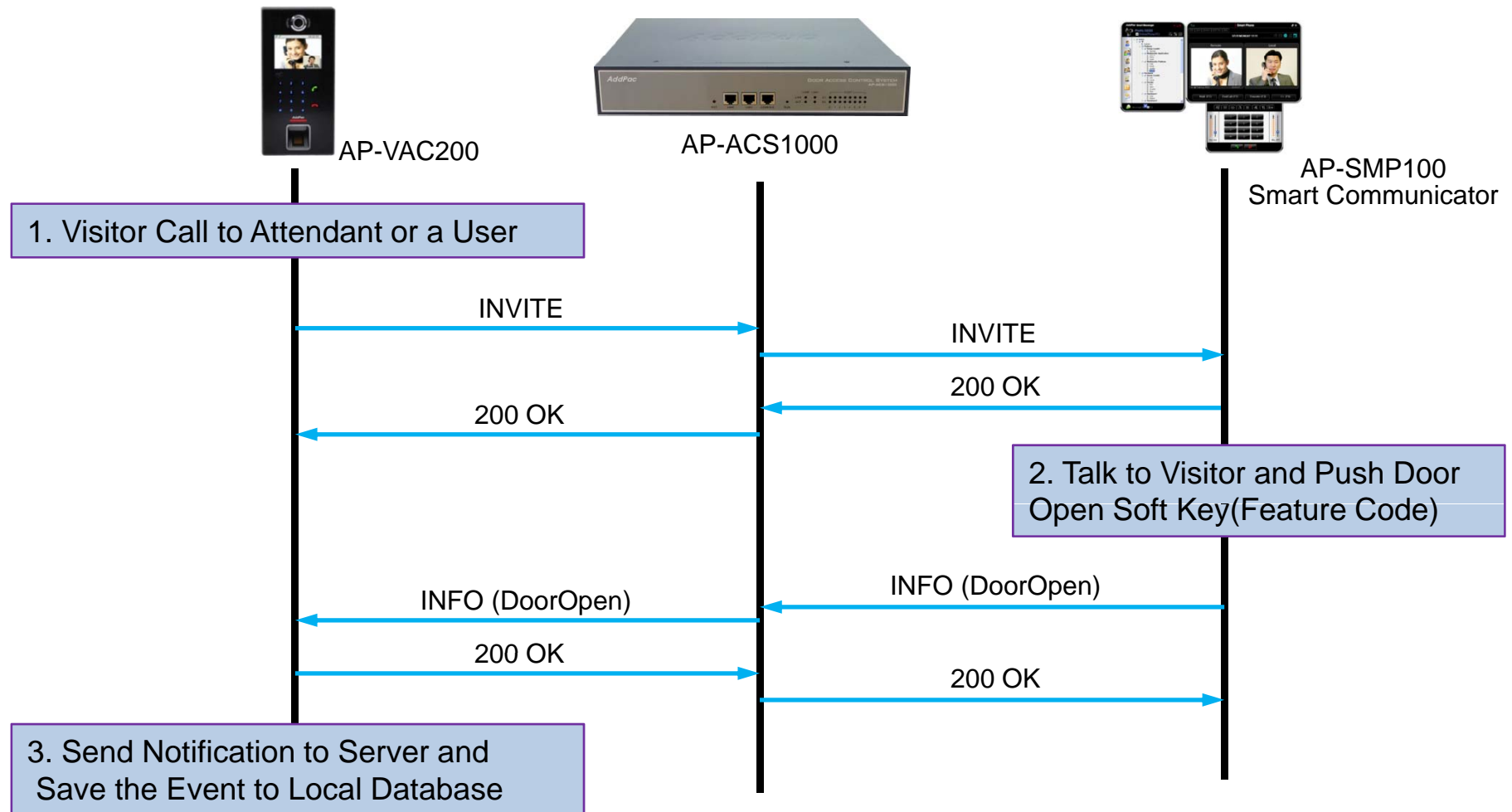
DACS System Message Flow

Door Open by RF Card, Fingerprint and Password



DACS System Message Flow

Door Open by AP-SMP100 Smart Communicator





Thank you!

AddPac Technology Co., Ltd.
Sales and Marketing

Phone +82.2.568.3848 (KOREA)

FAX +82.2.568.3847 (KOREA)

E-mail sales@addpac.com