

# AP-VAC80

## IP Video Door Phone

High Performance IP Video Door Phone Solution

Multi-Terminal Ringing Service



**AddPac**

**AddPac Technology**

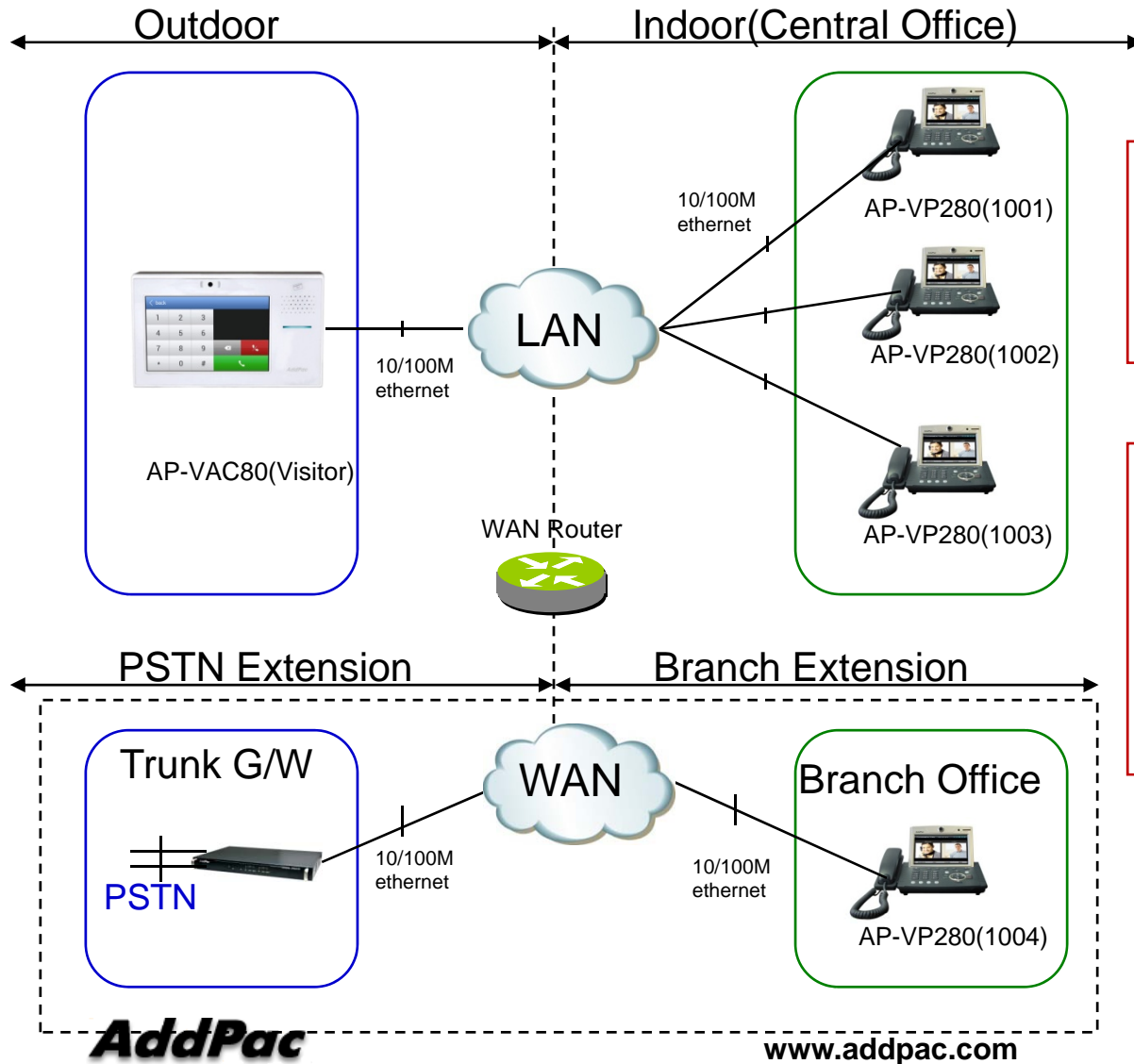
2015, Sales and Marketing

# Contents

- Multi-Terminal Ringing Service Network Diagram
- Signaling Flow



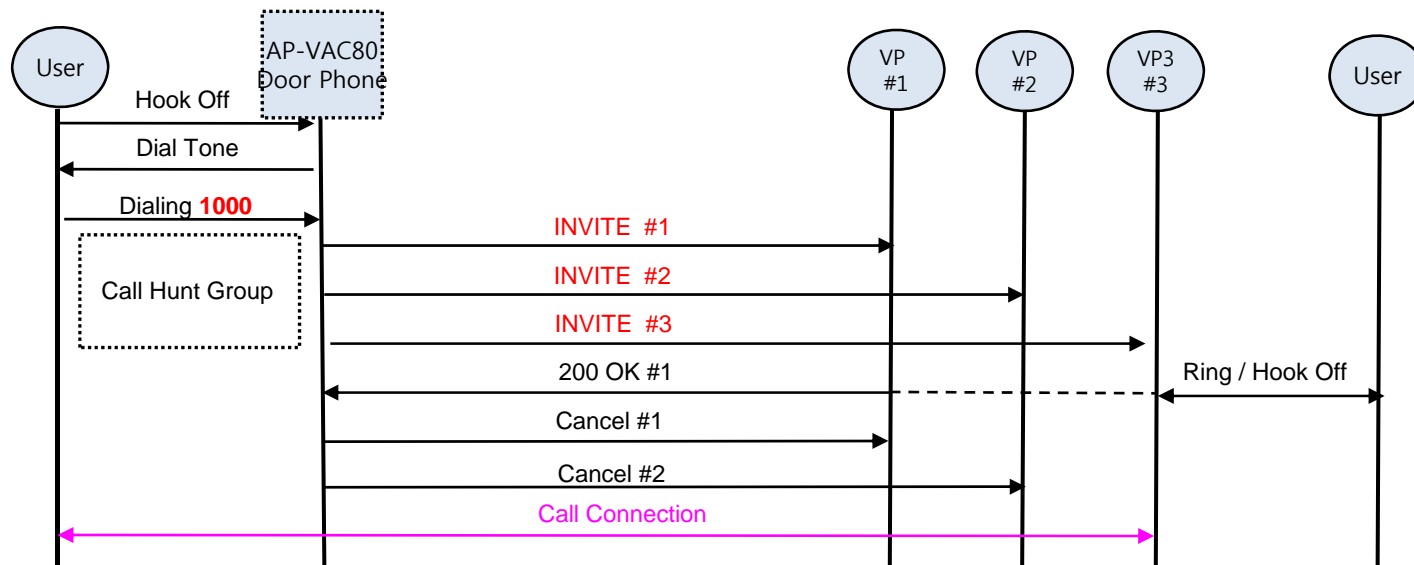
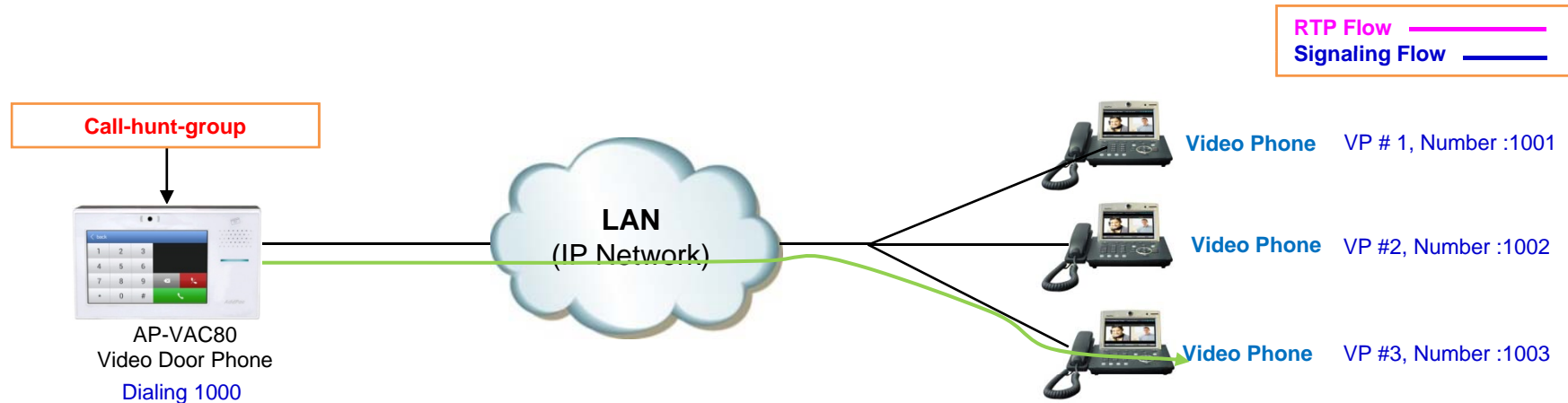
# Multi-Terminal Ringing Network Service Diagram



- Benefits are**
- When main secretary is busy or in absence, the others can response to the visitor's call.
  - This service extends to WAN, Mobile or PSTN via VoIP Service Provider.

- Simultaneous Ring Scenario Example**
1. A Visitor call to '1000'
  2. VAC50 calls to 1001, 1002 and 1003 by translation rule and simultaneous ring group.
  3. Answered by 1003.
  4. VAC50 connects to 1003 and disconnects all other calls.

# Signaling Flow (Video Door Phone to Video Phones)





# Thank you!

**AddPac Technology Co., Ltd.**  
Sales and Marketing

Phone +82.2.568.3848 (KOREA)

FAX +82.2.568.3847 (KOREA)

E-mail [sales@addpac.com](mailto:sales@addpac.com)