



Linphone



AP-VAC150 IP Video Door Phone

High Performance Fingerprint Recognition
IP Video Door Phone Solution

AP-VAC150 Smart Phone Interworking Service
(Ex : LinPhone App.)



AddPac

AddPac Technology

2015, Sales and Marketing

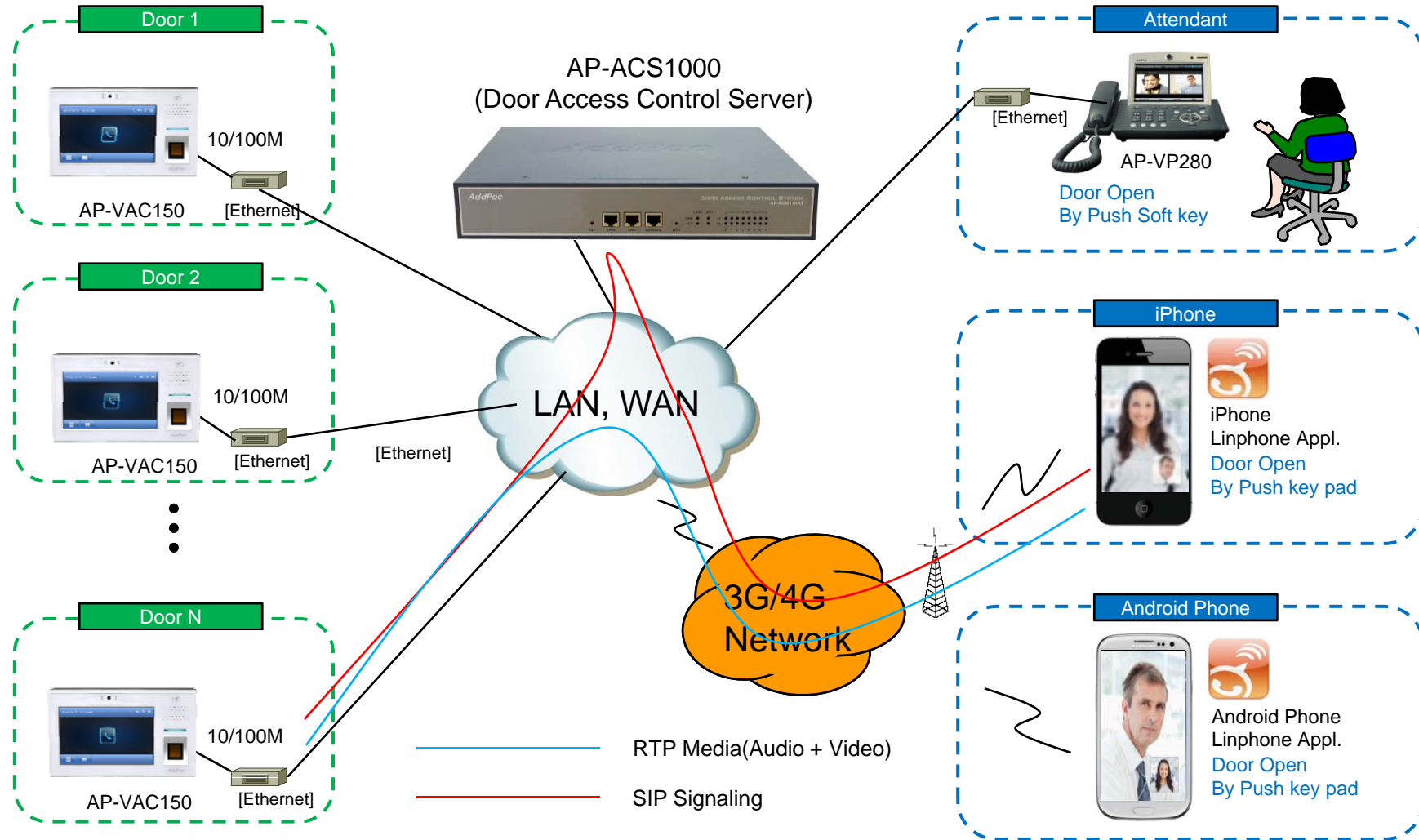
Contents

- Linphone Smart Phone Appl. Overview
- AP-VAC150 Video Service Diagram
- SIP Register
 - Linphone Application Register to AP-ACS1000
- SIP Video Call Flow

Linphone Smart Phone Appl. Overview

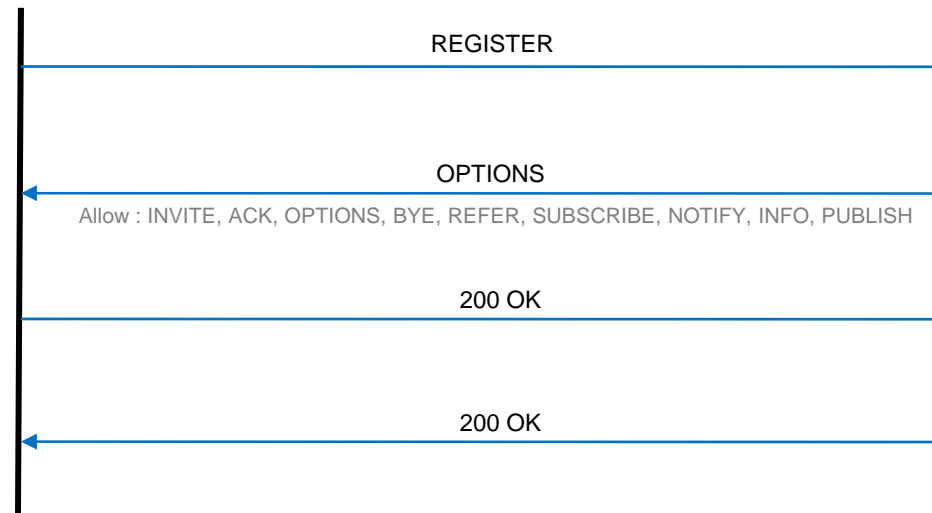
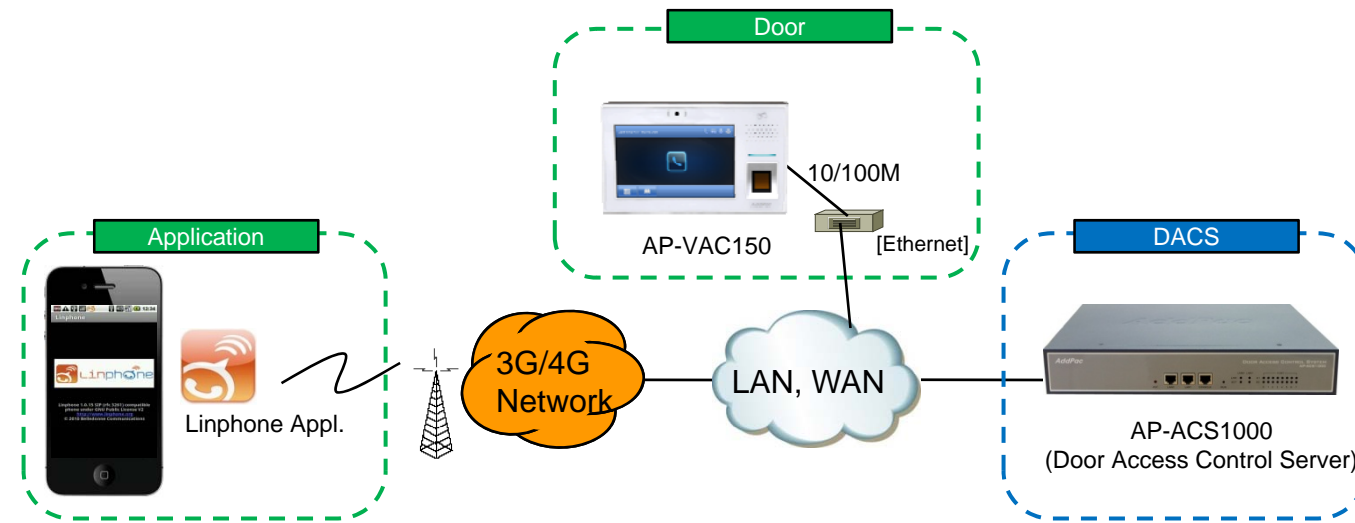
- Open source **video SIP phone** for mobile.
 - Support for Android and iPhone/iPad(with video support)
- SIP user agent compliant with RFC3261
- DTMF (telephone tones) support using SIP INFO or RFC2833
- Support for voice and video codec
 - Voice Codec : G.711ulaw/alaw, G.722, G.729 ...
 - Video Codec : H264, etc

AP-VAC200 Video Service Diagram



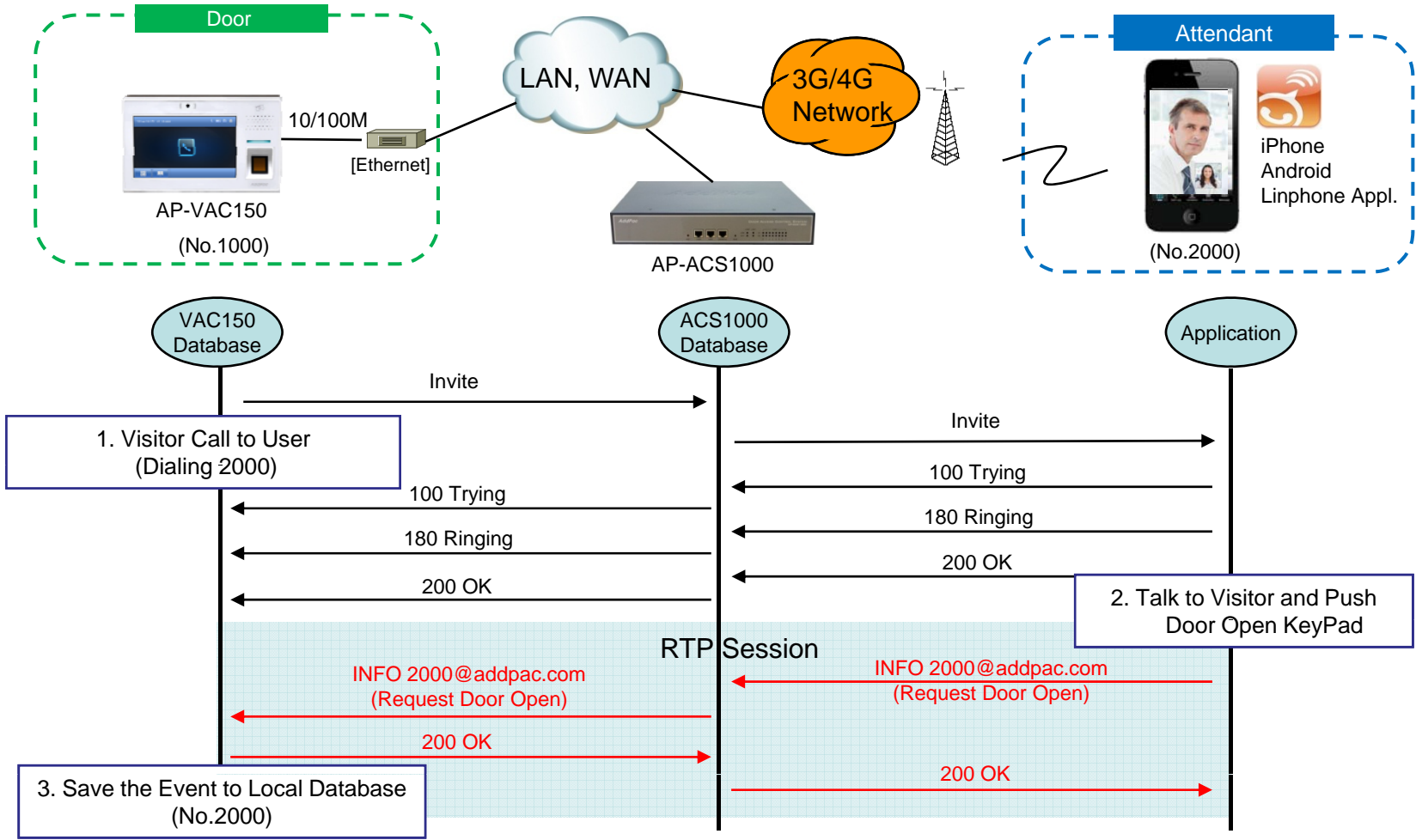
SIP Register

Linphone Application Register to AP-ACS1000



SIP Video Call Flow

Door Open Flow





Thank you!

AddPac Technology Co., Ltd.
Sales and Marketing

Phone +82.2.568.3848 (KOREA)

FAX +82.2.568.3847 (KOREA)

E-mail sales@addpac.com