

Enterprise Time Attendance SIP Door Phone Solution

Time Attendance SIP Video Door Phone Solution
(Touch screen type)

- AP-TAS80 Time Attendance SIP Video Door Phone
- AP-TAS150 Time Attendance SIP Video Door Phone
- AP-ACS1000 IP Door Phone Control System
- AP-SMP100 IP Soft Video Phone
- AP-VP280 IP Video Phone

[Learn More >](#)



AddPac

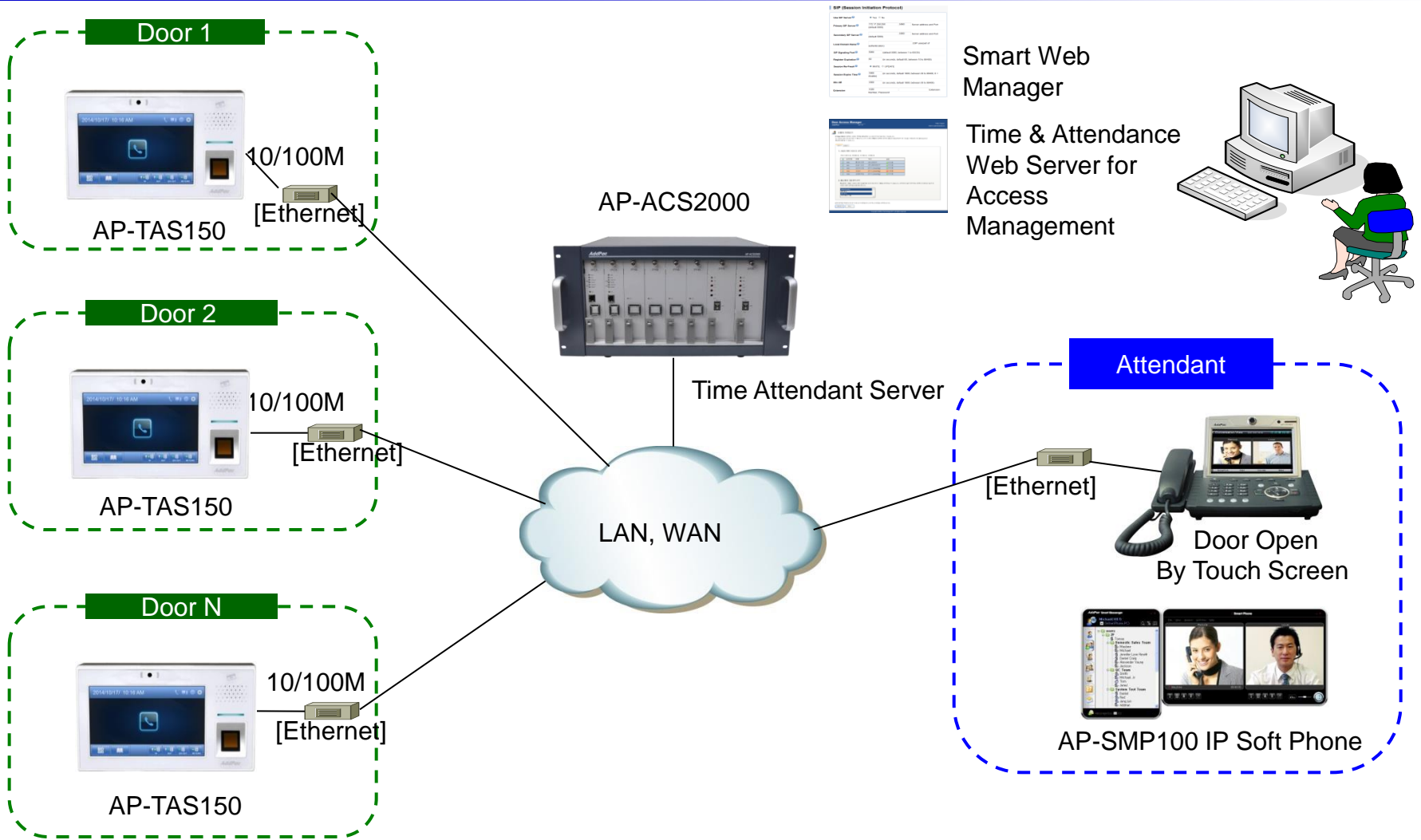
AddPac Technology

2014, Sales and Marketing

Contents


- Time Attendance + SIP Video Door Phone Service Diagram
- Time Attendance + SIP Video Door Phone Solution
 - AP-TAS150 (Fingerprint, RF card, SIP Video Call)
 - AP-TAS80 (RF card, SIP Video Call)
- Time Attendance Signal Call Flow Diagram
- Time Attendance Embedded Web Manager
- Backend Solution (other documents)
 - AP-ACS2000 Access Control Server
 - AddPac IP Video Phones
 - IP Soft Video Phones (Window, Android, etc)

Time Attendance + SIP Video Door Phone Service Diagram



Time Attendance + SIP Video Door Phones

Time & Attendance SIP Door Phone Comparison Table

Model	AP-TAS150	AP-TAS80
Service Features		
Time & Attendance	Support	Support
SIP Door Phone	SIP Video Door Phone	SIP Video Door Phone
Duplex (Voice)	Full Duplex	Full Duplex
Key Pad	One(1) Call Button	One(1) Call Button
LCD	5 inch LCD	3.5 inch LCD
RF Card	Support	Support
Fingerprint	Support	N/A
Camera Sensor	SD(VGA)	SD(VGA)
Video Codec	SD, H.264/MPEG4/H.263	SD, H.264/MPEG4/H.263
Voice Codec	G.711,G722(option)	G.711, G.722(option)
Signaling	SIP	SIP
MIC & Speaker Phone	Support	Support
LAN Port	1	1
PoE(Optional)	Support	Support

Time Attendance SIP Video Door Phone AP-TAS150

Main Features

AP-TAS150 Time Attendance SIP Video Door Phone

- Smart Time & Attendance IP Video Door Phone Solution
- High Performance SIP Video Door Phone Solution
- Video Camera, Touch Screen TFT Color LCD, Internal MIC & Speaker
- High Quality 5 Inch LCD, 800 x 480 Video Resolution
- Fingerprint Recognition Support
- RF Card Support
- SIP VoIP Signaling Stack Embedded
- High-performance Video/Voice Codec Support
 - H.264/MPEG4/H.263, G.711, etc
- One(1) 10/100Mbps Fast Ethernet
- PoE(Power over Ethernet) Support
- High Quality Speaker Phone Features
- Powerful Acoustic Echo Canceller Chip Embedded
- Powerful Network Protocols (PPPoE, DHCP, Static Routing, etc)
- Firmware Upgradeable Architecture
- Advanced Voice QoS Mechanism

Hardware Specification

AP-TAS150 Time Attendance SIP Video Door Phone

- RISC+DSP Microprocessor Computing Power
- Audio and Voice Interface
 - Internal MIC
 - Internal Speaker
- Video Camera Interface
- TFT Color LCD Interface
 - 5 Inch LCD, 800 x 480 Video Resolution
- Network Interface
 - One(1) 10/100Mbps Fast Ethernet
- Fingerprint Recognition Interface
- RF Card Interface
- Alarm & Relay Out Interface (door open, etc)
- RS232/RS485 Interface
- Power Supply
 - Power over Ethernet (Option)
 - External Power Supply



Hardware Specification

AP-TAS150 Time Attendance SIP Video Door Phone

RISC
CPU

High-end
DSP

- **Acoustic Echo Canceller**
 - Full-duplex operation during double-talk situations
 - One channel AEC, one channel LEC up to 256ms shared
 - Cancels echoes with up to 10dB echo return
 - Advanced noise reduction(up to 20dB)
- **Speaker**
 - Impedance : 8 +-15%ohm at 1kHz, 1.0 Vrms
 - Sound Pressure : 90 +- 3dB at 0.1W/10 CM
at 800Hz, 1.0kHz, 1.2kHz, 1.5kHz
 - Resonance Level : 550Hz +- 20%Hz at Fo Hz, 1.0Vrms
 - Frequency Range : Fo Hz ~20kHz
 - Input Power : Normal : 1.0 W, Max : 2.0W
- **Audio Amplifier**
 - 1-W BTL Output(5V, 0.11 % THD+N)
 - Uncompensated Gains of 2 to 20 (BTL Mode)
 - Thermal and Shot-circuit Protection
 - High Supply Ripple Rejection Ratio
- **PoE(Power over Ethernet)**
 - IEEE802.3af compliant
 - Input voltage range 36V to 57V
 - Short-circuit Protection

Hardware Specification

AP-TAS150 Time Attendance SIP Video Door Phone

RISC
CPU

High-end
DSP

- **LCD Controller**
 - One-Chip Solution for TFT-LCD
 - Hardware On-Screen Display (OSD)
 - Support resolution up to 240xRGBx320
 - Up to 24-bit RGB888 Digital Interface
 - Resize Function (x 1/16, x8)
 - BT.60/BT.66 Digital YCbCr 4:2:2(8-/16-bit) Interface
- **Camera**
 - High Sensitivity for low-light operation
 - Output support for Raw RGB, RGB, and YCrCb format
 - Image Size : VGA, QVGA, and any size scaling down from CIF to 40x30
 - Support AEC, AGC,AWB, ABF, ABLC
 - Saturation Level, Edge Enhancement Level, De-noise level Auto adjust

Hardware Specification

AP-TAS150 Time Attendance SIP Video Door Phone

RISC
CPU

High-end
DSP

- RF Card Sensor
 - Protocol Supported
 - ISO14443A/B all bit rates
 - > 106,212,424 and 848 kbps
 - Compatible to MiFare Classic
 - ISO15693 all modes
 - > 1.65/6.6 & 26.5 kbps
 - > Uplink 1 & 2 sub-carrier
 - Receiver
 - Rx Sensitivity down to 1mVrms
 - Rx Automatic Gain Control
 - Accept external baseband signal from external circuitry for frame level processing
 - Integrated signal strength indicator (SSI)
 - On-Chip Framing handler for supported standard
 - Transmitter
 - Typical proximity operating distance up to 100mm.
 - Software configurable modulation index
 - Maximum driving current up to 200 mA/PIN @ 5V
 - Accept external baseband signal for RF modulation
 - Wide Transmitter driver supply range from 2.7~7.0V



RF Card Sensor

Hardware Specification

AP-TAS150 Time Attendance SIP Video Door Phone

RISC
CPU

High-end
DSP

- Fingerprint Recognition
 - Sensor Type : Capacitive
 - Resolution(dpi) : 508
 - Sensing Area(mm) : 12.8 x18.0
 - Image Size(pixel) : 256 x 360
 - CPU : 400MHz DSP
 - Flash Memory : 4MB
 - ERR : < 0.1%
 - Enrollment Time : 800msec
 - 1:1 Verification Time : 800msec
 - 1:1000 Identification Time : 970msec
 - Template Size : 256~384bytes (configurable, 384bytes default)
 - Template Capacity : 9,000
 - Encryption : 256bit AES



Fingerprint Recognition

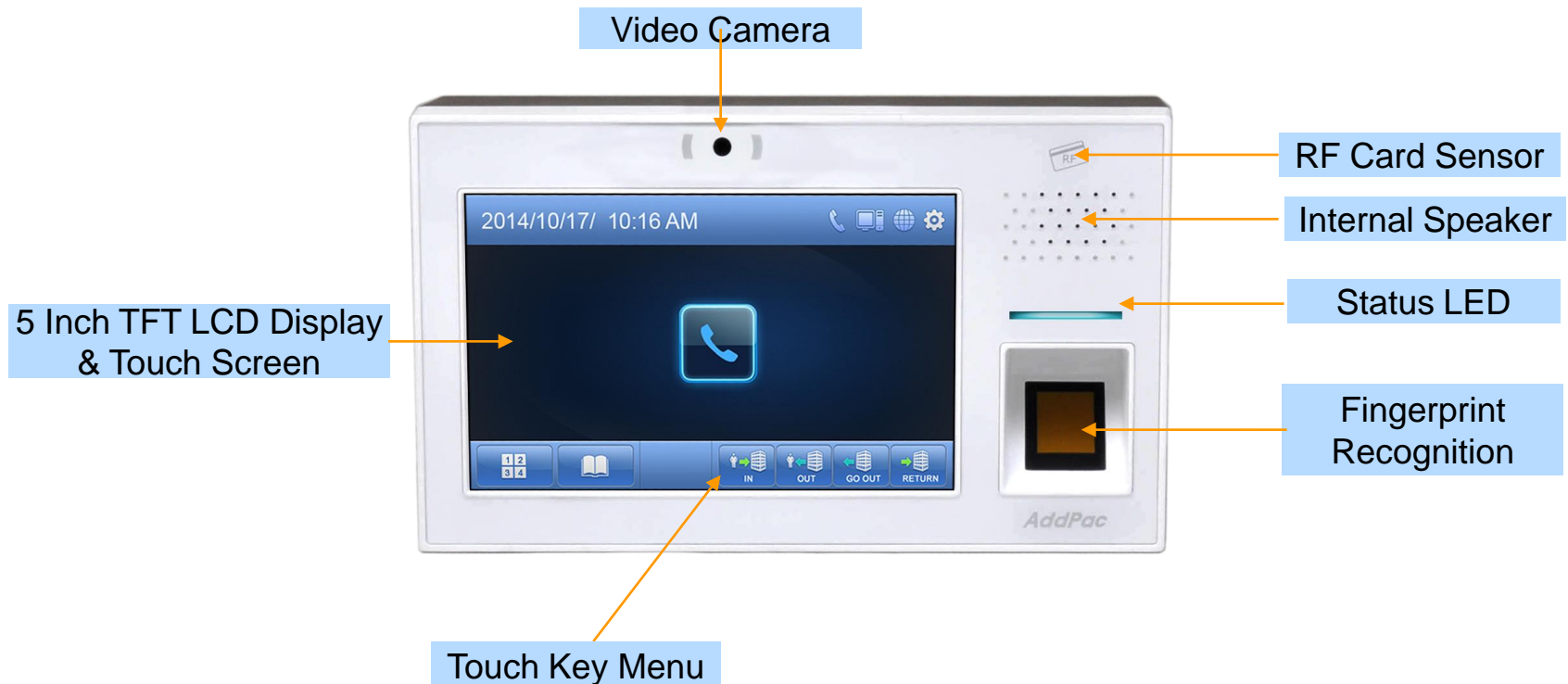
Hardware Specification

AP-TAS150 Time Attendance SIP Video Door Phone

RISC
CPU

High-end
DSP

Front Side



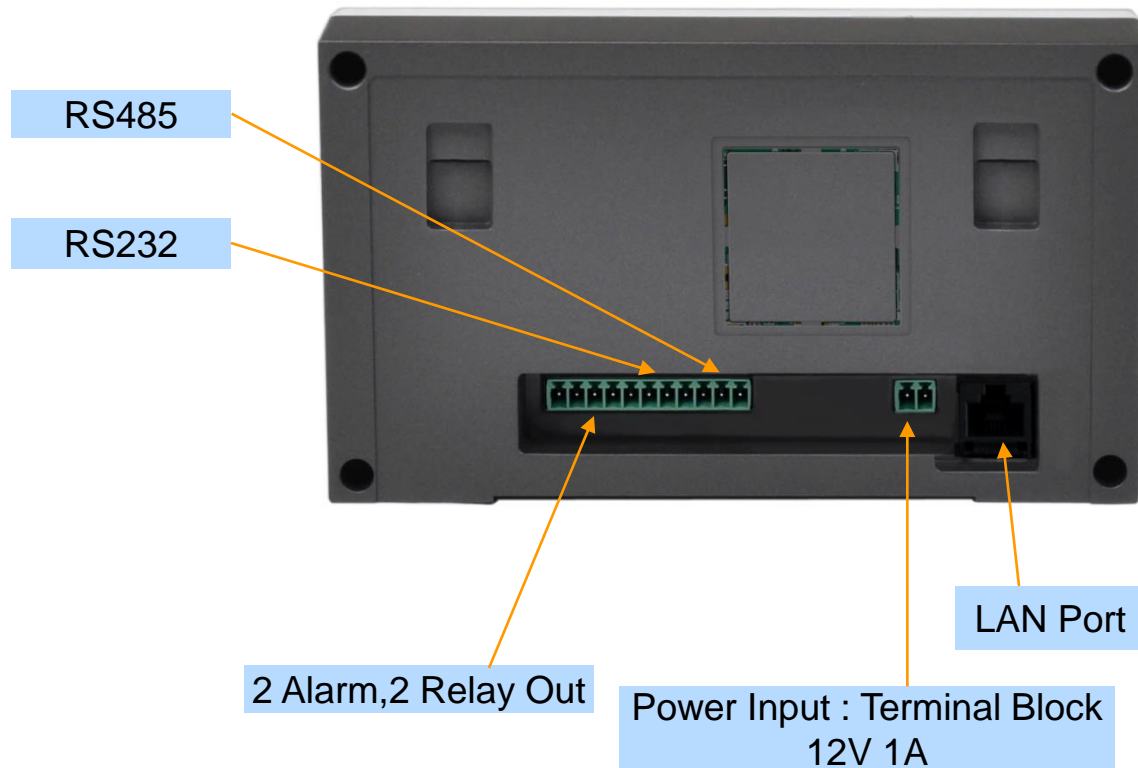
Hardware Specification

AP-TAS150 Time Attendance SIP Video Door Phone

RISC
CPU

High-end
DSP

Back Side



Hardware Specification

AP-TAS150 Time Attendance SIP Video Door Phone

RISC
CPU

High-end
DSP

Power Supply

Terminal Block



12V 1A Power Adaptor

Example



Time Attendance SIP Video Door Phone AP-TAS80

Main Features

AP-TAS80 Time Attendance SIP Video Door Phone

- Smart Time & Attendance IP Video Door Phone Solution
- High Performance SIP Video Door Phone Solution
- Video Camera, Touch Screen TFT Color LCD, Internal MIC & Speaker
- High Quality 5 Inch LCD, 800 x 480 Video Resolution
- RF Card Support
- SIP VoIP Signaling Stack Embedded
- High-performance Video/Voice Codec Support
 - H.264/MPEG4/H.263, G.711, etc
- One(1) 10/100Mbps Fast Ethernet
- PoE(Power over Ethernet) Support
- High Quality Speaker Phone Features
- Powerful Acoustic Echo Canceller Chip Embedded
- Powerful Network Protocols (PPPoE, DHCP, Static Routing, etc)
- Firmware Upgradeable Architecture
- Advanced Voice QoS Mechanism

Hardware Specification

AP-TAS80 Time Attendance SIP Video Door Phone

RISC
CPU

High-end
DSP

- RISC+DSP Microprocessor Computing Power
- Audio and Voice Interface
 - Internal MIC
 - Internal Speaker
- Video Camera Interface
- TFT Color LCD Interface
 - 5 Inch LCD, 800 x 480 Video Resolution
- Network Interface
 - One(1) 10/100Mbps Fast Ethernet
- RF Card Interface
- Alarm & Relay Out Interface (door open, etc)
- RS232/RS485 Interface
- Power Supply
 - Power over Ethernet (Option)
 - External Power Supply



Hardware Specification

RISC
CPU

High-end
DSP

AP-TAS80 Time Attendance SIP Video Door Phone

- **Acoustic Echo Canceller**
 - Full-duplex operation during double-talk situations
 - One channel AEC, one channel LEC up to 256ms shared
 - Cancels echoes with up to 10dB echo return
 - Advanced noise reduction(up to 20dB)
- **Speaker**
 - Impedance : 8 +-15%ohm at 1kHz, 1.0 Vrms
 - Sound Pressure : 90 +- 3dB at 0.1W/10 CM
at 800Hz, 1.0kHz, 1.2kHz, 1.5kHz
 - Resonance Level : 550Hz +- 20%Hz at Fo Hz, 1.0Vrms
 - Frequency Range : Fo Hz ~20kHz
 - Input Power : Normal : 1.0 W, Max : 2.0W
- **Audio Amplifier**
 - 1-W BTL Output(5V, 0.11 % THD+N)
 - Uncompensated Gains of 2 to 20 (BTL Mode)
 - Thermal and Shot-circuit Protection
 - High Supply Ripple Rejection Ratio
- **PoE(Power over Ethernet)**
 - IEEE802.3af compliant
 - Input voltage range 36V to 57V
 - Short-circuit Protection

Hardware Specification

AP-TAS80 Time Attendance SIP Video Door Phone

RISC
CPU

High-end
DSP

- **LCD Controller**
 - One-Chip Solution for TFT-LCD
 - Hardware On-Screen Display (OSD)
 - Support resolution up to 240xRGBx320
 - Up to 24-bit RGB888 Digital Interface
 - Resize Function (x 1/16, x8)
 - BT.60/BT.66 Digital YCbCr 4:2:2(8-/16-bit) Interface
- **Camera**
 - High Sensitivity for low-light operation
 - Output support for Raw RGB, RGB, and YCrCb format
 - Image Size : VGA, QVGA, and any size scaling down from CIF to 40x30
 - Support AEC, AGC,AWB, ABF, ABLC
 - Saturation Level, Edge Enhancement Level, De-noise level Auto adjust

Hardware Specification

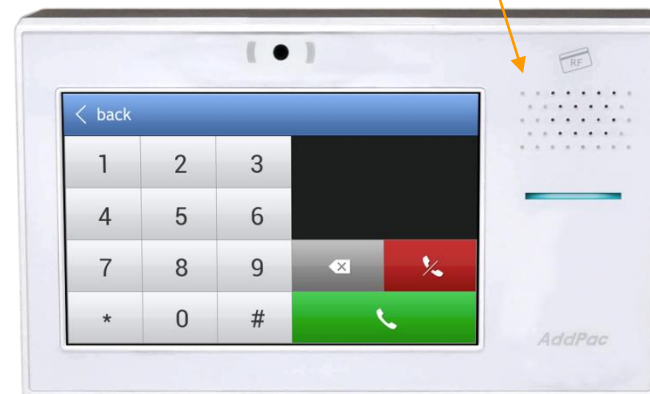
AP-TAS80 Time Attendance SIP Video Door Phone

RISC
CPU

High-end
DSP

- RF Card Sensor
 - Protocol Supported
 - ISO14443A/B all bit rates
 - > 106,212,424 and 848 kbps
 - Compatible to MiFare Classic
 - ISO15693 all modes
 - > 1.65/6.6 & 26.5 kbps
 - > Uplink 1 & 2 sub-carrier
 - Receiver
 - Rx Sensitivity down to 1mVrms
 - Rx Automatic Gain Control
 - Accept external baseband signal from external circuitry for frame level processing
 - Integrated signal strength indicator (SSI)
 - On-Chip Framing handler for supported standard
 - Transmitter
 - Typical proximity operating distance up to 100mm.
 - Software configurable modulation index
 - Maximum driving current up to 200 mA/PIN @ 5V
 - Accept external baseband signal for RF modulation
 - Wide Transmitter driver supply range from 2.7~7.0V

RF Card Sensor



Hardware Specification

AP-TAS80 Time Attendance SIP Video Door Phone

RISC
CPU

High-end
DSP

Front Side



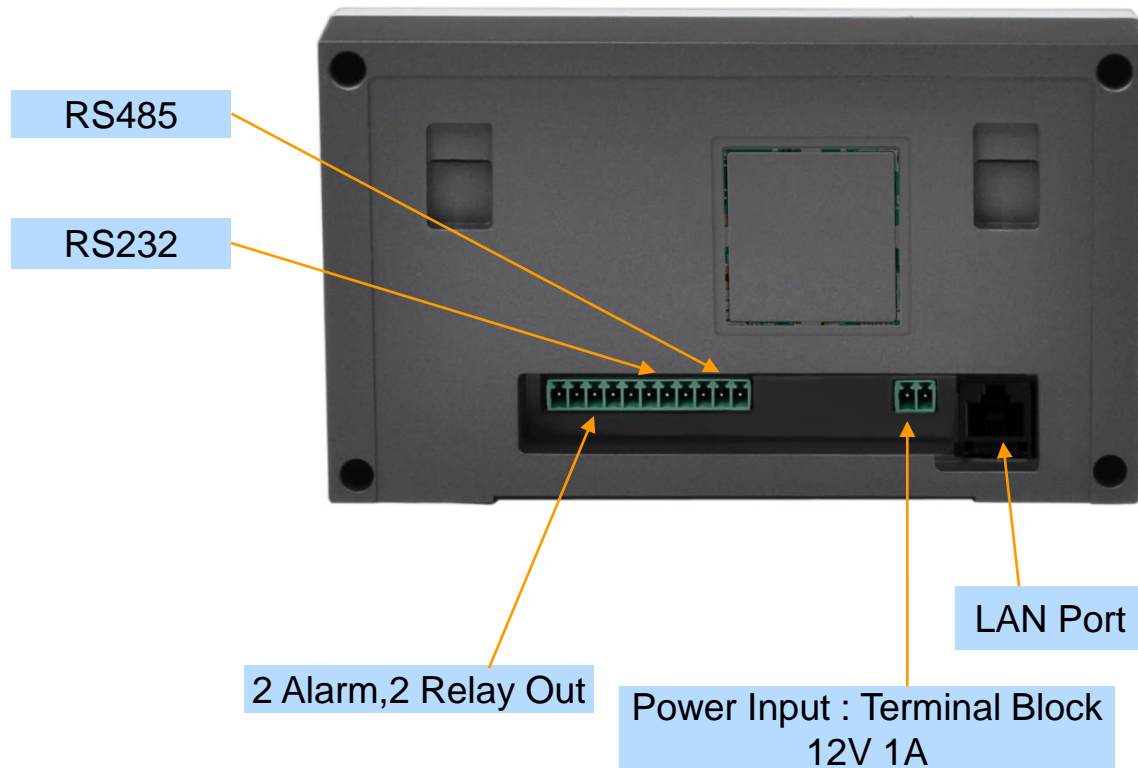
Hardware Specification

AP-TAS80 Time Attendance SIP Video Door Phone

RISC
CPU

High-end
DSP

Back Side



Hardware Specification

AP-TAS80 Time Attendance SIP Voice Door Phone

RISC
CPU

High-end
DSP

Power Supply

Terminal Block







12V 1A Power Adaptor

Example



IP Video Door Phone Back-End Solution

IP Video Door Phone Backend Product Table

Backend Products	Description	Model
	IP Door Access Control Servers	AP-ACS2000
	IP Video Phone (Bidirectional two-way video)	AP-VP280, etc
	IP Soft Video Phone	AP-SMP100 (Window) AP-ASH100 (Android) AP-ISH100 (IOS)
	Smart Door Phone Application	AP-SAD100

AP-ACS2000 Access Control Server

Main Features

AP-ACS2000 DACS (Door Access Control System)

- Door Access Control Application System
- SIP Application Server, Proxy, Registrar and Location Server
- Multiple ITSP Trunk with SIP & H.323 Accounts Support
- High Performance RISC & Programmable DSP Architecture
- Smart Multimedia Manager for IP-PBX Management
- DACM(Door Access Control Manager)
- TAAM(Time and Attendance Management) Service
- IPv4/IPv6 based Dual Network Protocol Support
- Fault Tolerant and Scalability Architecture
- Firmware Upgradeable Architecture
- Dual System Redundancy Architecture
 - Two(2) 3.5 Inch Hard Disk (RAID 1) / System
 - Two(2) Gigabit Ethernet Interface / System
- Dual Redundancy Power Module

Hardware Features

AP-ACS2000 DACS (Door Access Control System)

- High-End Microprocessor Computing Power
- Main Chassis
 - Dual Redundancy CPU Boards for System Fault Tolerant
 - Two(2) 10/100/1000Mbps Gigabit Ethernet
 - One(1) RS-232C Console (RJ45)
 - Two(2) 3.5 Inch Hard Disk Interface Slot (RAID 1)
 - Dual Redundancy Power Supply Module
 - Hot-Swap Features

Hardware Specification

AP-ACS2000 DACS (Door Access Control System)

AP-ACS2000 Front Side



CPU Board
(Hot-Swap)

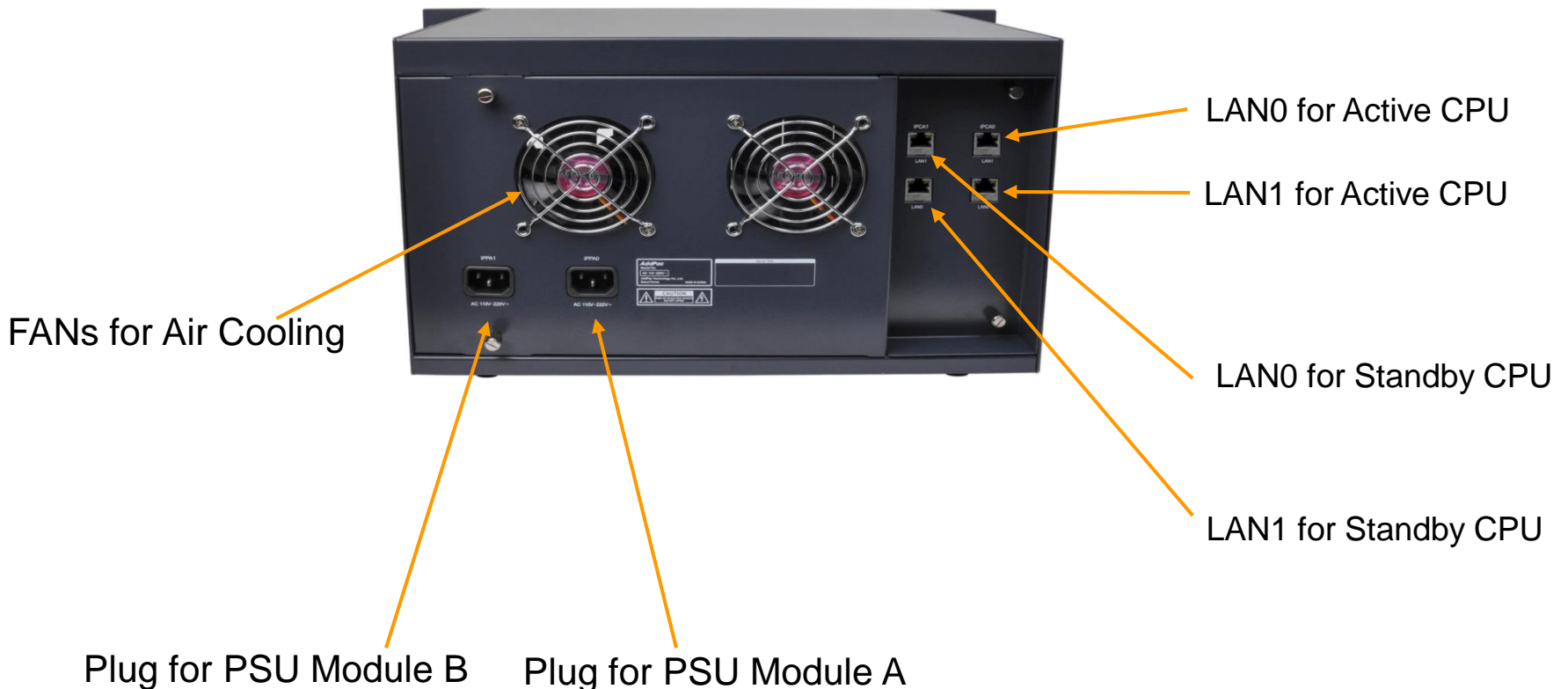
Dual 3.5 Inch
HDD Disks(RAID1)
: Hot-Swap

Dual Power Supply
Modules
(Hot-Swap)

Hardware Specification

AP-ACS2000 DACS (Door Access Control System)

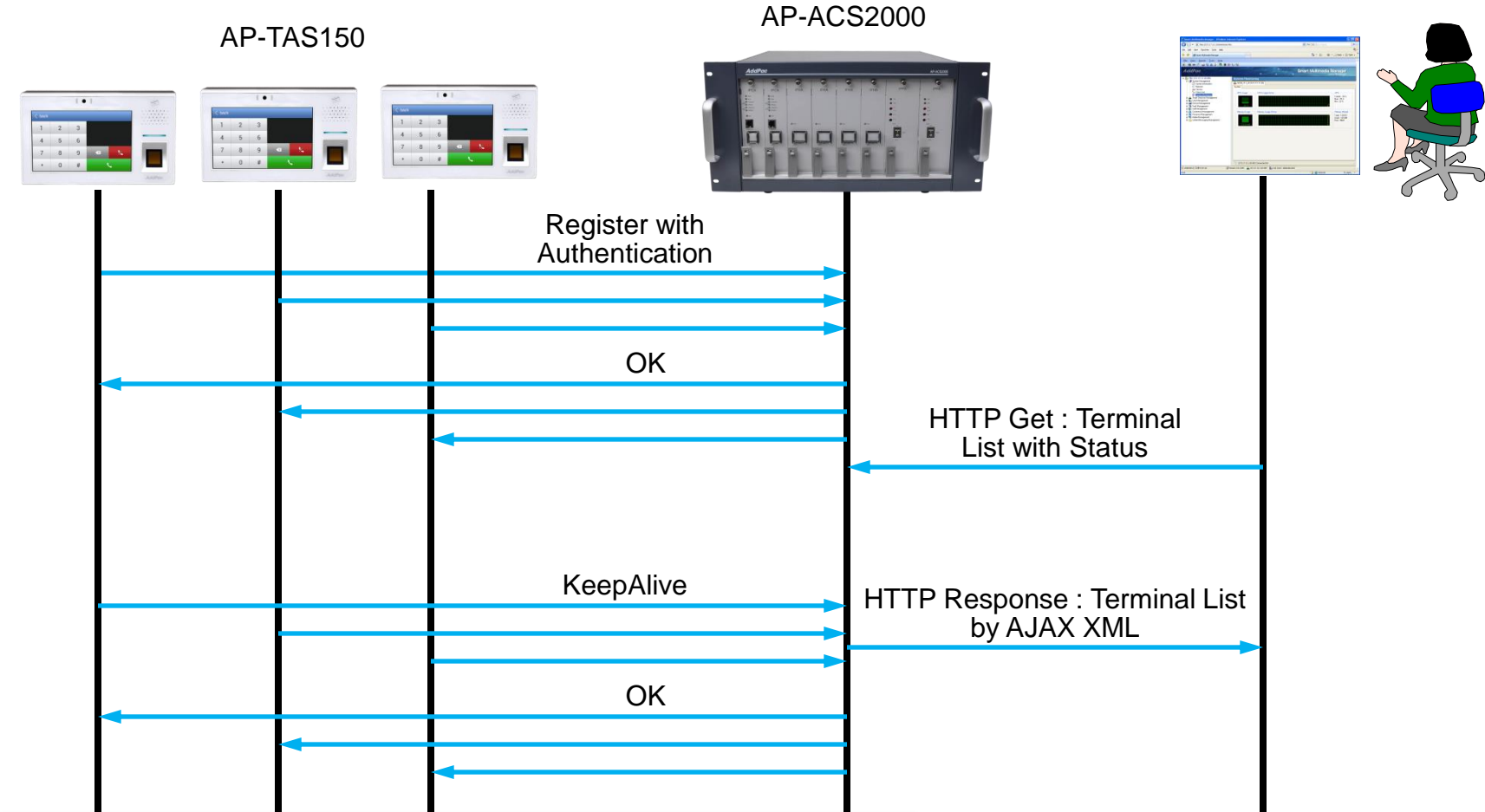
AP-ACS2000 Back Side



DACS System Message Flow

DACS System Message Flow

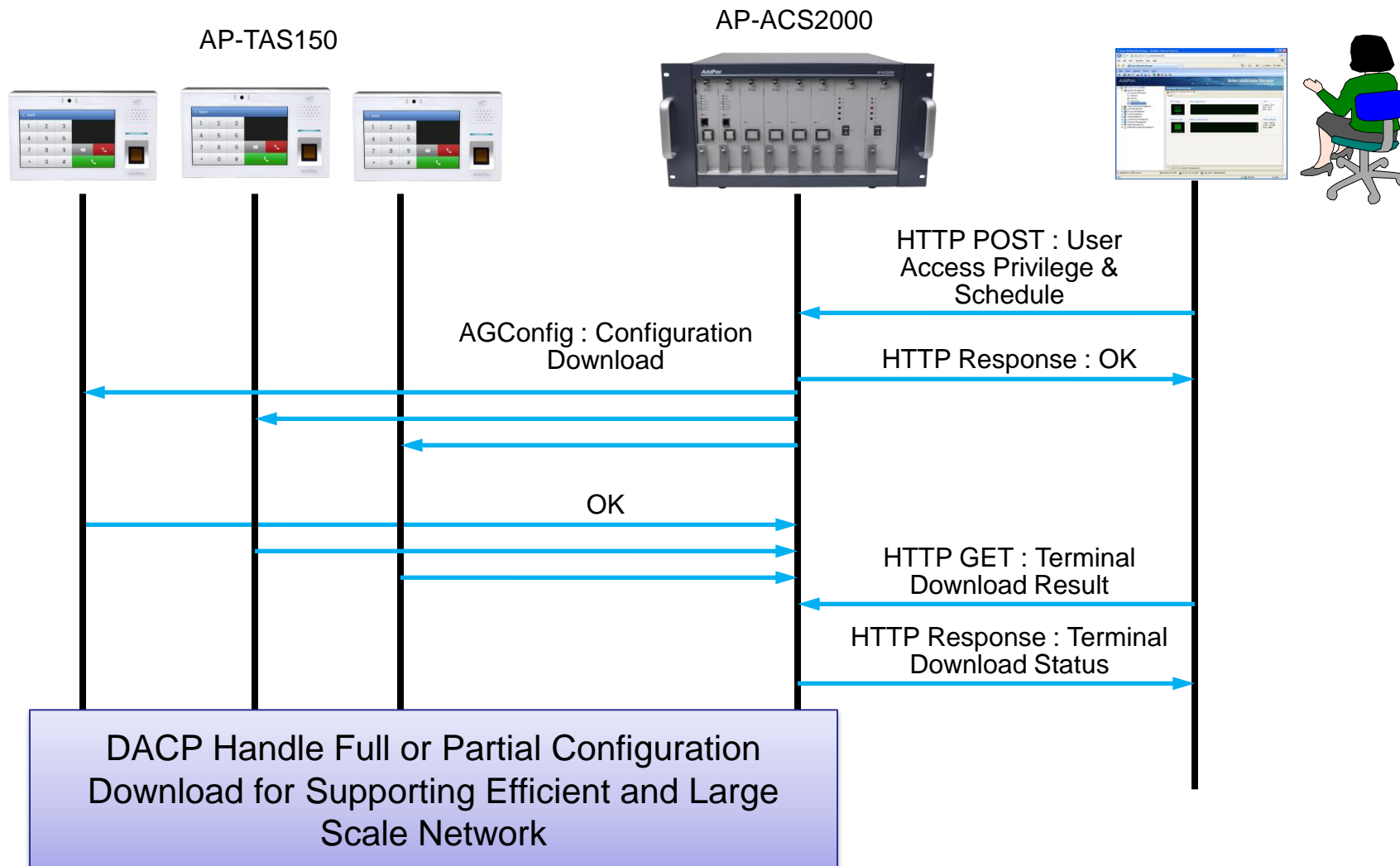
Registration and KeepAlive



DACP (Door Access Control Protocol) : XML over TCP

DACS System Message Flow

Access Privilege and Schedule Download



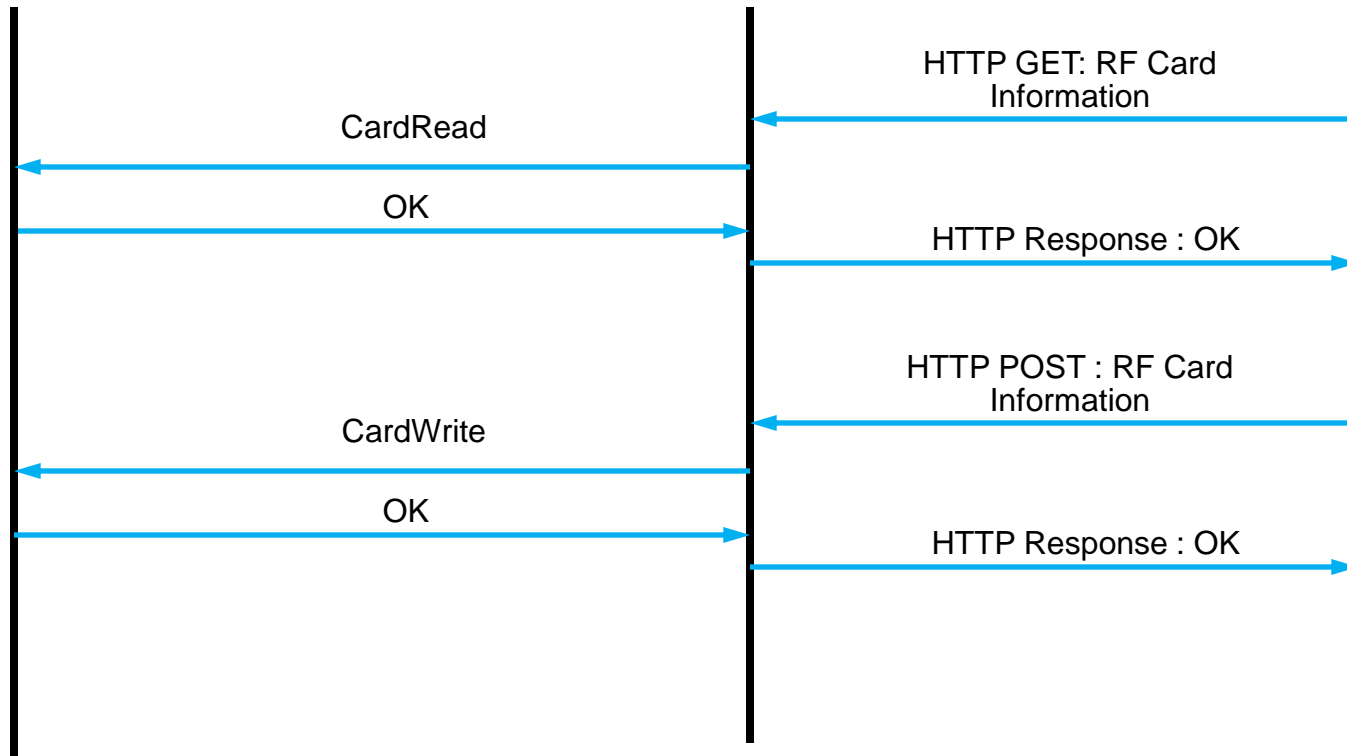
DACS System Message Flow

RF Card Read/Write and Registration

AP-TAS150

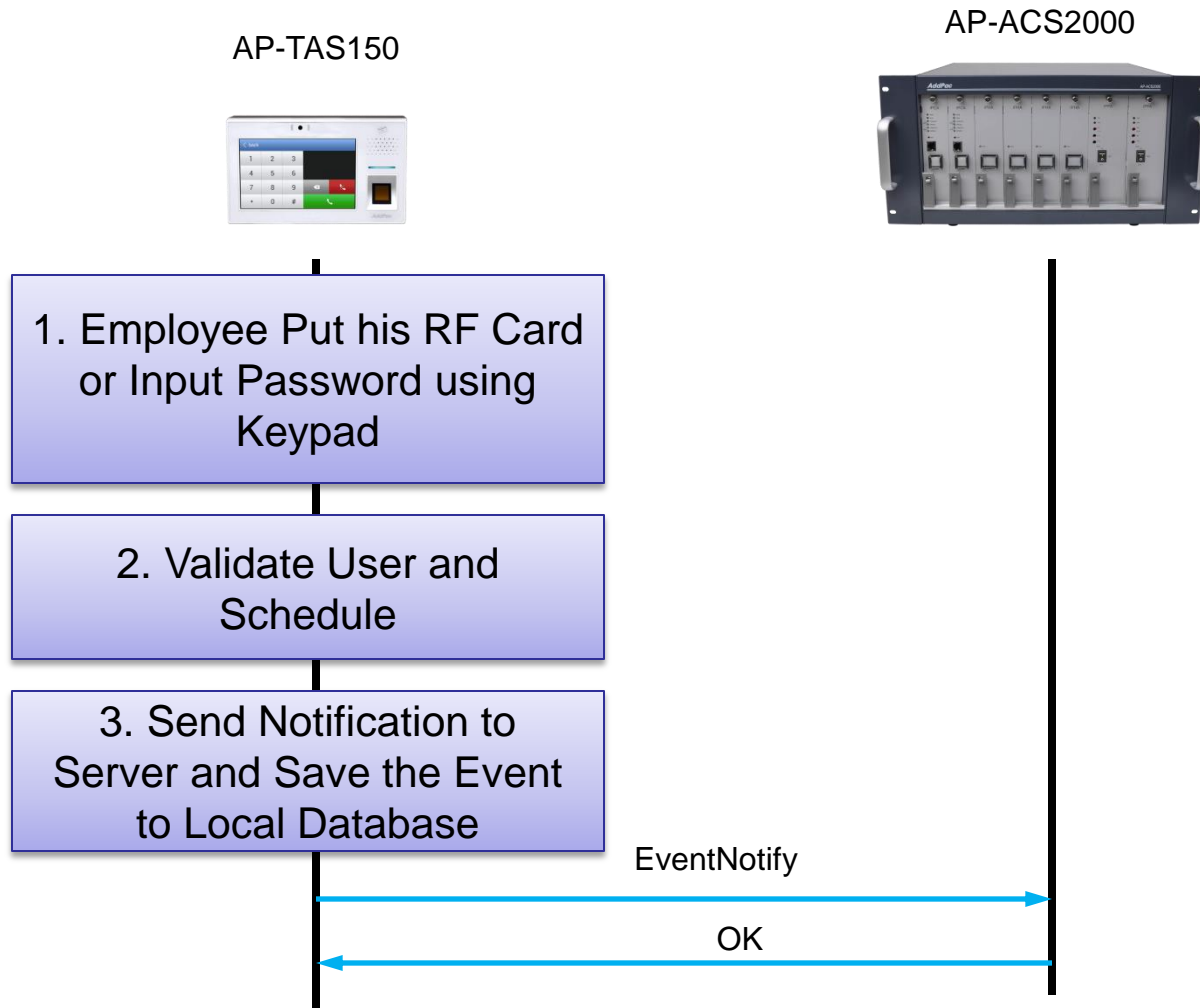


AP-ACS2000



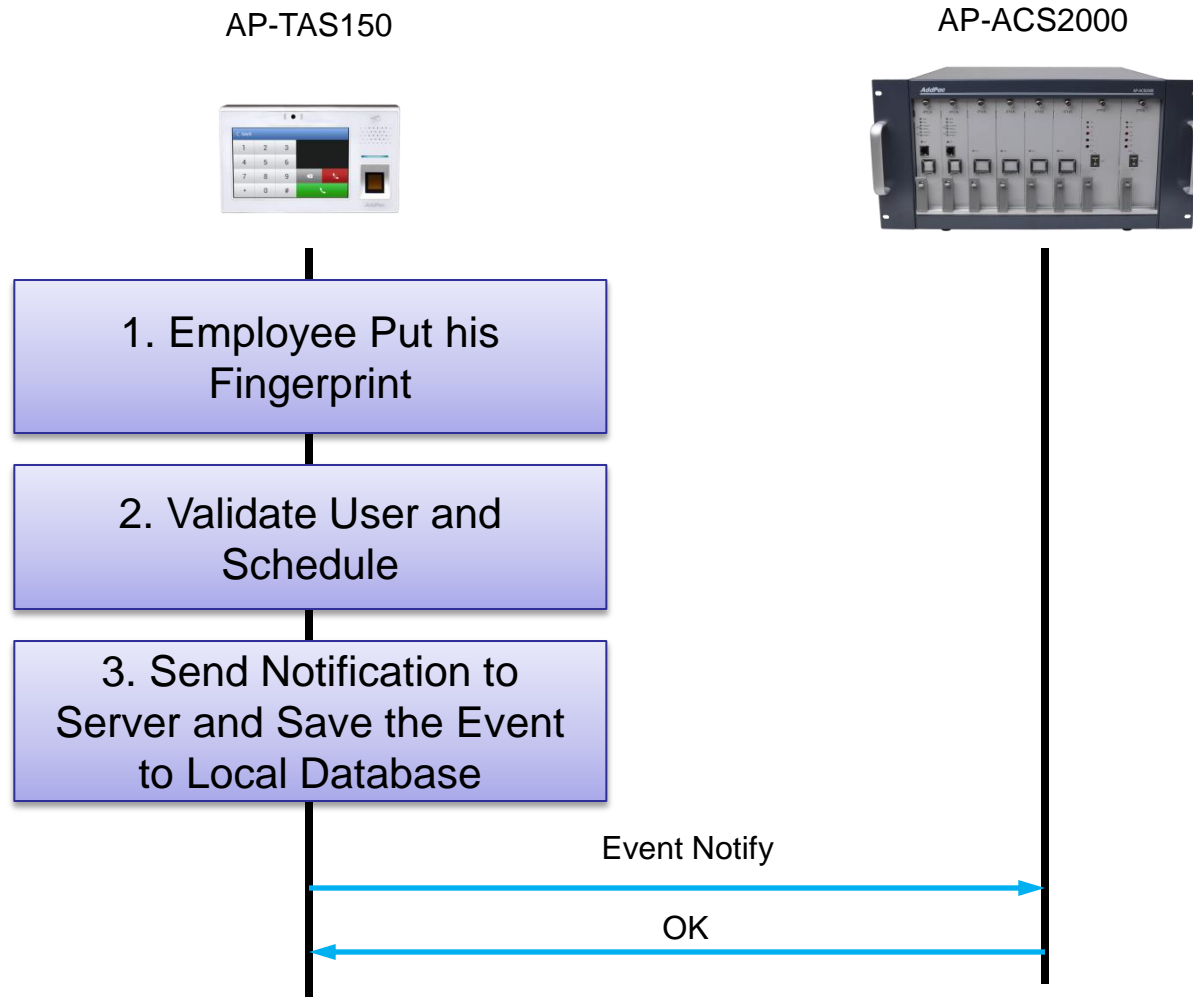
DACS System Message Flow

Door Open by RF Card or Password



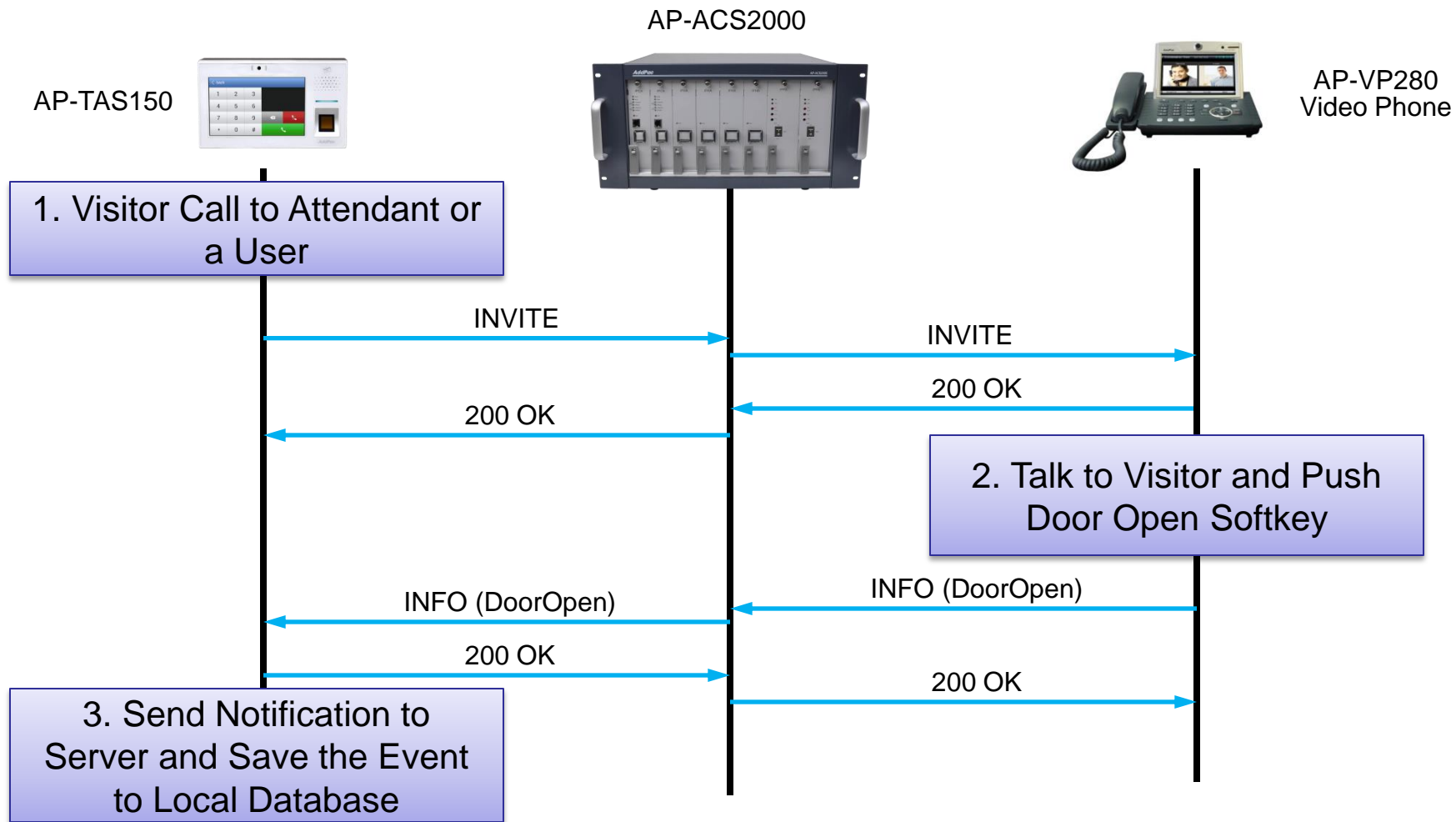
DACS System Message Flow

Door Open by Fingerprint



DACS System Message Flow

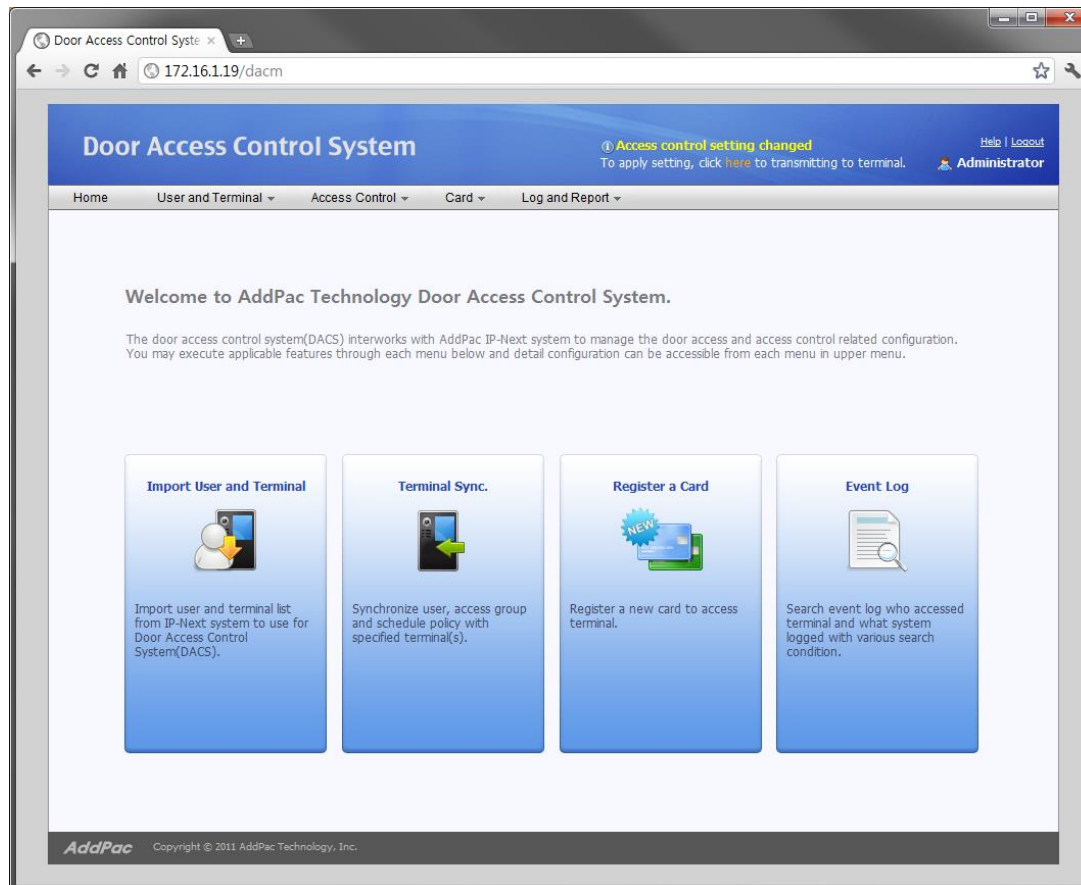
Door Open by Other Terminal



Door Access Control Manager for AP-ACS2000

DACM (Door Access Control Manager)

Main Web Page



DACM (Door Access Control Manager)

Import User and Terminal

Door Access Control System

Access control setting changed
To apply setting, click [here](#) to transmitting to terminal.

Help | Logout
Administrator

Home User and Terminal Access Control Card Log and Report

Import User and Terminal

You can imports the users and terminals from IP-Next PBX system.
This job can be used when first setup or users and terminals are newly added or changed in a IP-Next PBX system.

User Terminal

1. User list to be imported

Total Users: 11 Chanced: 1 Added: 10 Deleted: 6

Display new added users of IP-Next PBX.
The selected user will be imported to DACS(Door Access Control System).

Added user in a IP-Next PBX system

Extension	Name	Department
<input checked="" type="checkbox"/>	1111	Hwang Woosun /SFloor/
<input checked="" type="checkbox"/>	1005	Julian Jonathan /SFloor/
<input checked="" type="checkbox"/>	1013	Ramon Jorge /SFloor/
<input checked="" type="checkbox"/>	1260	White Nigel /SFloor/
<input checked="" type="checkbox"/>	1008	Kwon Hyojun /SFloor/SM/
<input checked="" type="checkbox"/>	1000	Choi jinsuk /SFloor/SM/
<input checked="" type="checkbox"/>	4099	Han Jlyoung /SFloor/SM/
<input checked="" type="checkbox"/>	1014	Oh Hyongsuk /SFloor/Framework/

Display deleted users of IP-Next PBX.
The selected user will be deleted from DACS(Door Access Control System).

Deleted user in a IP-Next PBX system

Extension	Name	Department
<input checked="" type="checkbox"/>	1000	Choi jinsuk /SFloor/SM/
<input checked="" type="checkbox"/>	1015	Choi byunggu /SFloor/Framework/
<input checked="" type="checkbox"/>	1016	Lee seonghyun /SFloor/Framework/
<input checked="" type="checkbox"/>	1111	Hwang woosun /SFloor/

2. Select Access Control Group Policy

Select access control group policy for selected added users and you can select one or more groups.

Group Name	Description
<input type="checkbox"/>	3floor door
<input checked="" type="checkbox"/>	default group default access group
<input type="checkbox"/>	job policy job policy access group

DACM (Door Access Control Manager)

User List

The screenshot shows a web browser window displaying the 'Door Access Control System' user list. The browser address bar shows '172.16.119/dacm/userList'. The page header includes a navigation menu with 'Home', 'User and Terminal', 'Access Control', 'Card', and 'Log and Report'. A notification banner states 'Access control setting changed' with a link to 'here' and a 'Logout' button. The user list is displayed in a table with columns for Extension, Name, Department, Access Policy, Date Created, Modify, and Delete. There are 5 users listed, all with 'Access Allow' policy. The footer shows 'AddPac Copyright © 2011 AddPac Technology, Inc.' and 'Page 1 of 1'.

Extension	Name	Department	Access Policy	Date Created	Modify	Delete
1 1000	Choi jinsuk	/SFloor/SM/	Access Allow	2011-07-22 15:50:01		
2 1008	Kwon hyojun	/SFloor/SM/	Access Allow	2011-07-22 15:50:00		
3 1014	Oh hyongsuk	/SFloor/Framework/	Access Allow	2011-07-22 15:50:01		
4 1015	Choi byunggu	/SFloor/Framework/	Access Allow	2011-07-22 15:50:01		
5 1016	Lee seonghyun	/SFloor/Framework/	Access Allow	2011-07-22 15:50:01		

DACM (Door Access Control Manager)

Terminal List

Door Access Control System

Access control setting changed
To apply setting, click [here](#) to transmitting to terminal.

Help | Logout
Administrator

Home User and Terminal Access Control Card Log and Report

Terminal List

Display the registered door phone lists imported from IP-Next PBX system.

Import Terminal

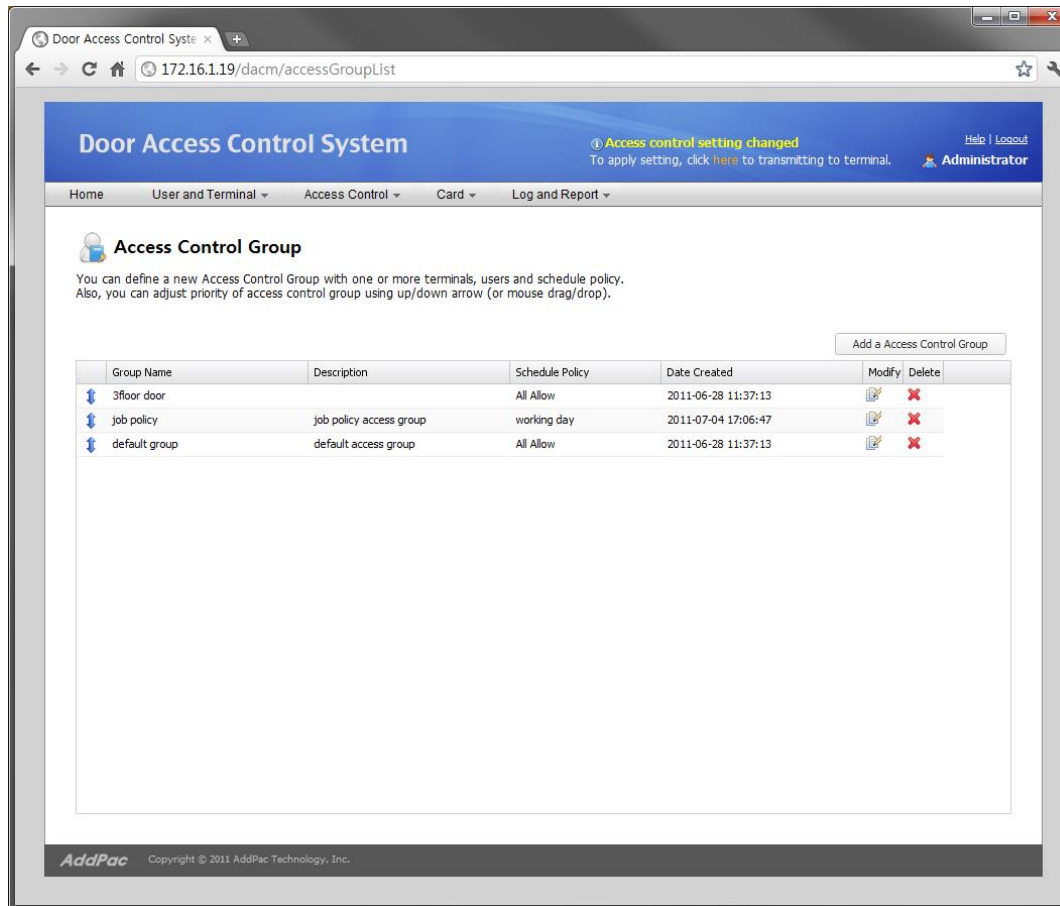
Terminal Name	Description	Status	Extension	IP Address	Model Name	Version	Date Created	Detail View
1 2floor door terminal	2Floor door ter...	Connected	1006	172.16.10.4	AP-VAC50		2011-07-29 17:08:50	
2 3floor door terminal	3Floor door ter...	Connected	1002	172.16.10.1	AP-VAC20	8.50.001	2011-07-22 15:50:01	
3 5floor door terminal	5Floor door ter...	Connected	1005	172.16.10.2	AP-VAC50		2011-07-29 17:08:50	
4 The main entrance d...	The main entran...	Connected	Required setting	172.16.10.3	AP-VAC100		2011-07-29 17:08:50	

Page 1 of 1 Total: 4

AddPac Copyright © 2011 AddPac Technology, Inc.

DACM (Door Access Control Manager)

Access Control Group Management



The screenshot displays the web interface for the Door Access Control System. The browser address bar shows the URL `172.16.1.19/dacm/accessGroupList`. The page title is "Door Access Control System". A notification banner indicates "Access control setting changed" and provides instructions to apply settings to the terminal. The user is logged in as "Administrator".

The main content area is titled "Access Control Group" and includes a brief description: "You can define a new Access Control Group with one or more terminals, users and schedule policy. Also, you can adjust priority of access control group using up/down arrow (or mouse drag/drop)."

A table lists the existing access control groups:

Group Name	Description	Schedule Policy	Date Created	Modify	Delete
3floor door		All Allow	2011-06-28 11:37:13		
job policy	job policy access group	working day	2011-07-04 17:06:47		
default group	default access group	All Allow	2011-06-28 11:37:13		

An "Add a Access Control Group" button is located above the table. The footer of the page contains the AddPac logo and copyright information: "Copyright © 2011 AddPac Technology, Inc."

DACM (Door Access Control Manager)

Configuration Download to Terminal

Door Access Control System

172.16.1.19/dacm/terminalSync

Access control setting changed
To apply setting, click [here](#) to transmitting to terminal.

Help | Logout
Administrator

Home User and Terminal Access Control Card Log and Report

Terminal Sync.

Synchronize user, access group and schedule policy with selected terminals.
Default checked terminals have updated configurations need to be synchronized.

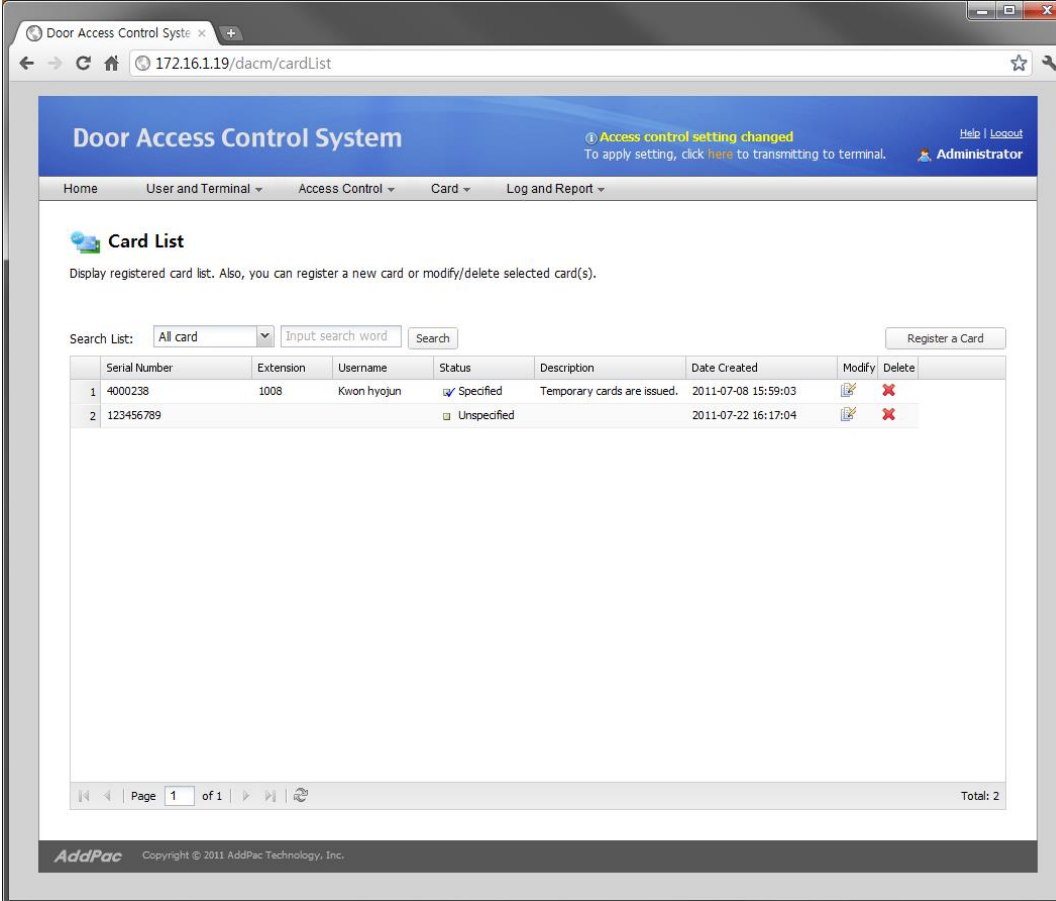
<input checked="" type="checkbox"/>	Terminal Name	IP Address	Connection Status	Sync Status
<input checked="" type="checkbox"/>	2floor door terminal	172.16.10.4	Connected	Not yet synchronized
<input checked="" type="checkbox"/>	3floor door terminal	172.16.10.1	Connected	Not yet synchronized
<input checked="" type="checkbox"/>	5floor door terminal	172.16.10.2	Connected	Not yet synchronized
<input checked="" type="checkbox"/>	The main entrance door	172.16.10.3	Connected	Not yet synchronized

To synchronize with selected terminal above, select 'Sync' button below. Select 'Cancel' button to cancel.

AddPac Copyright © 2011 AddPac Technology, Inc.

DACM (Door Access Control Manager)

RF Card Management



The screenshot displays the 'Door Access Control System' web interface. The browser address bar shows '172.16.1.19/dacm/cardList'. The page title is 'Door Access Control System'. A notification banner at the top right states 'Access control setting changed' and provides a link to 'Apply setting, click here to transmitting to terminal.' The user is logged in as 'Administrator'. The navigation menu includes 'Home', 'User and Terminal', 'Access Control', 'Card', and 'Log and Report'. The main content area is titled 'Card List' and includes a search filter set to 'All card' and a 'Register a Card' button. A table lists two registered cards with columns for Serial Number, Extension, Username, Status, Description, Date Created, Modify, and Delete.

Serial Number	Extension	Username	Status	Description	Date Created	Modify	Delete
1 4000238	1008	Kwon hyojun	<input checked="" type="checkbox"/> Specified	Temporary cards are issued.	2011-07-08 15:59:03		
2 123456789			<input type="checkbox"/> Unspecified		2011-07-22 16:17:04		

Page 1 of 1 Total: 2

DACM (Door Access Control Manager)

Access Log Management

The screenshot displays the 'Door Access Control System' web interface. The browser address bar shows '172.16.1.19/dacm/eventLog'. The page title is 'Door Access Control System'. A notification banner at the top right indicates 'Access control setting changed' and provides a link to 'Apply setting, click here to transmitting to terminal.' The user is logged in as 'Administrator'. The main content area is titled 'Event Log' and includes a search filter section with the following fields:

- Duration: 11-07-10 ~ 11-08-09
- User Extension Number: (empty text box)
- Event Level: Error (dropdown menu)
- Buttons: Search, Reset

Below the search filters is a table of event logs:

	Time	Level	User Extension	Event
1	2011-07-15 10:27:27	Warning	1000	authentication failure
2	2011-07-15 11:25:27	Notice	1000	registration success
3	2011-07-15 12:21:27	Notice	1200	registration success
4	2011-07-16 09:27:27	Information	1201	door opened
5	2011-07-16 11:27:27	Information	1007	registration success
6	2011-07-16 17:12:00	Notice		security profile downloading completed
7	2011-07-17 18:00:00	Notice		system started

At the bottom of the table, there is a pagination control showing 'Page 1 of 1' and a 'Total: 7' indicator. The footer of the page contains the 'AddPac' logo and 'Copyright © 2011 AddPac Technology, Inc.'

Time & Attendance Management

Contents

- Daily Attendance Management
- Monthly Attendance Management
- Business Trip and Vacation Management
- Time & Attendance Codes
- Attendance Report Management
- Attendance Report by Date, Month
- Attendance Daily Report by Month
- Attendance Personal Report

DACS (Door Access Control System)

Login page

Door Access Control System

172.16.1.19/index.php

You can log on "Door Access Control Manager" or "Time and Attendance Manager" if license is valid and administrator have authentication right

AddPac
Door Access Control System

Administrator ID:

Password:

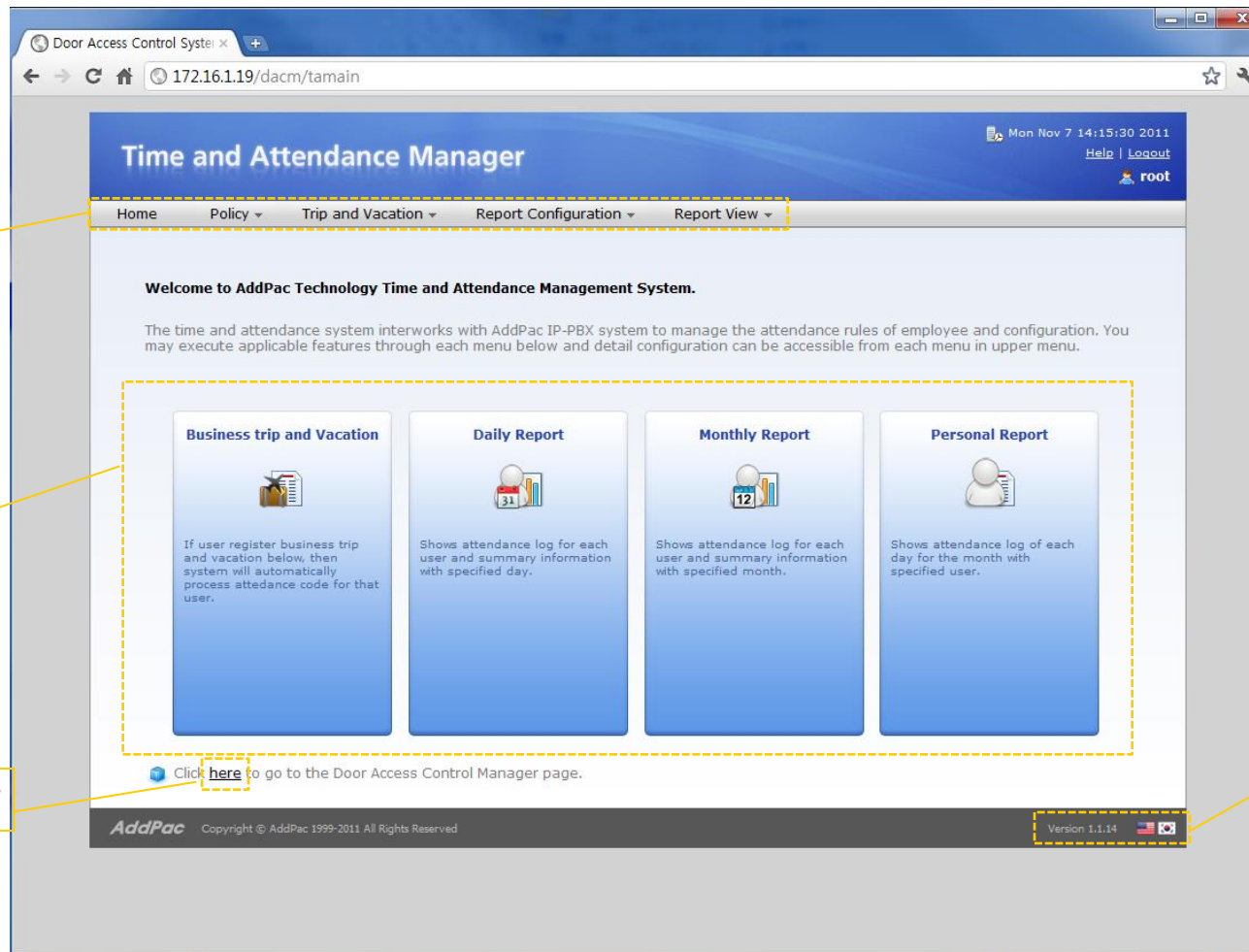
Door Access Control Manager

Time and Attendance Manager

Log on to Door Access Control Management

Log on to Time and Attendance Management

TAAM (Time and Attendance Manager) Main Web Page



main menu & sub menu

quick menu for frequent use

switch to "Door Access Control Manager"

show current version and language

TAAM (Time and Attendance Manager)

Daily Attendance Rules

Name	Description	In	Out	Regular Hour	Date Created
1 default rule	default daily rule	09:00	18:00	9 hr	
2 Factory First Rule	Factory first daily work rule	08:00	20:00	12 hr	2011-11-07 14:32:2
3 Factory Second Rule	Factory second daily work r...	20:00	08:00	9 hr	2011-11-07 14:33:1

shows In (office-in time), Out (office-out time) and Regular working time, for example 9 hours

Daily Attendance Rule

1. **Daily Rule**
Defines rule for work start time(in), work end time(out) and regular hour of the day. Day start time is used as basis of the day.

Rule Name*

Description

Day Start Time

In

Out

Regular Hour Hour

By default, first in-time is the start work time and last out-time is the end work time for that day.

2. **Allowable time and overtime**

For Late Min.

Leaving Work Early Min.

Minimum Overtime Hour

To apply this features, please select 'Add' or 'Apply' button. To cancel, Select 'Cancel' button.

Add Cancel

TAAM (Time and Attendance Manager)

Monthly Attendance Rules

Monthly Attendance Rule List

Name	Description
1 Default Rule	Default attendance rule
2 Head Office Rule	Head office work monthly rule
3 Factory First Rule	Factory first work monthly rule
4 Factory Second Rule	Factory second work monthly rule

Monthly Attendance Rule

1. Monthly Rule

Defines day off or work day from starting first week to sixth week of the month. Each day of the week can be applied to daily-based attendance rule.

Rule Name*

Description

1st week: Sun Mon Tue Wed Thu Fri Sat

2nd week: Sun Mon Tue Wed Thu Fri Sat

3rd week: Sun Mon Tue Wed Thu Fri Sat

4th week: Sun Mon Tue Wed Thu Fri Sat

5th week: Sun Mon Tue Wed Thu Fri Sat

6th week: Sun Mon Tue Wed Thu Fri Sat

*Clicked: Full Day Off *Non-Clicked: Work Day

Sunday: N/A

Monday: N/A

Tuesday: N/A

Wednesday: N/A

Thursday: N/A

Friday: N/A

Saturday: N/A

2. Holiday Rule

Defines rule for non-working day such as national holiday, user defined holiday in the day template.

Day Template List

Name	Description
public holiday	public holiday description
company holiday	company holiday description

List of applied Day Templates

Name	Description
------	-------------

Day of week rule from 1st week to 6th week and grey color means full day off, other color is work day

You can specify daily rule from the list for sunday through saturday

TAAM (Time and Attendance Manager)

Business Trip and Vacation

Time and Attendance Manager

Mon Nov 7 14:40:01 2011
Help | Logout
root

Home Policy Trip and Vacation Report Configuration Report View

Business Trip and Vacation
Shows list of business trip and vacation of user. Each extension user will be not processed as absentee. Also, you can correct in the attendance report by date if needed.

Add a Business Trip and Vacation

	Name	Description	User	Type	Start	End	Date Created	Modify	Delete
1	Rusia Business...	Presentation for Ne...	Total 2 includin...	Business trip	2011-09...	2011-10...			
2	Summer Vacati...			Vacation	2011-08...	2011-08...	2011-10-12 07:...		

one or more user can be specified for each business trip and vacation rule.

Extension user will be not processed as absentee between start day and end day, also log as user-defined time attendance code

user-defined time and attendance code for attendance report or log correction

Page 1 of 1 Total: 2

AddPac Copyright © AddPac 1999-2011 All Rights Reserved Version 1.1.14

TAAM (Time and Attendance Manager)

Time and Attendance Codes

The screenshot shows a web browser window with the URL `172.16.1.19/dacm/timeAttendanceCodeList`. The page title is "Time and Attendance Manager". The navigation menu includes "Home", "Policy", "Trip and Vacation", "Report Configuration", and "Report View". The main content area is titled "Time and Attendance Codes" and includes a description: "Shows list of user defined attendance code which can be used as correction in the attendance report." There is an "Add a Code" button. A table lists the codes, with columns for Name, Description, Date Created, Modify, and Delete. A dashed yellow box highlights the first nine rows, which are system-built-in codes. A red 'X' icon in the Delete column of the 'Sick Leave' row indicates it is a user-defined code that can be removed.

	Name	Description	Date Created	Modify	Delete
1	Unknown				
2	Not yet defined				
3	Late In				
4	Early Out				
5	Absence				
6	Late In/Early Out				
7	Normal				
8	Vacation				
9	Business trip				
10	Sick Leave	Sick Leave code by admin	2011-11-07 14:44:15		

system built-in time and attendance code is provided as default, for example late-in, early-out and absence

show built-in and user-defined time and attendance code which will be used in the attendance report and log correction

only user-define code can be removed if needed

AddPac Copyright © AddPac 1999-2011 All Rights Reserved Version 1.1.14

TAAM (Time and Attendance Manager) Delivery Policy for Attendance Report

1. Report Policy
Defines email delivery policy for manager or each user to receive daily, monthly attendance report.

Send reports to the particular person every day at 08:00

Send reports to the particular person at specific day (28 08:00) of every month.

User List
Search Field: Last Name

Name	Department	Extension
[Empty list]		

Applied user list

Name	Department	Extension
batista Eike	/2F/	1000
Stefan Persson	/2F/	1016

Send personal monthly report to each user.

2. SMTP Server
You can specify sending email server(SMTP) configurations.

SMTP Server: 61.33.161.2

Sender Email Address: dacs_admin@company.com

Server Authentication Required

User ID: admin

Password: ****

To apply this features, select 'Apply' or 'Cancel'

Apply Cancel

AddPac Copyright © AddPac 1999-2011 All Rights Reserved Version 1.1.14

manager level users (extension) list who want to receive daily and monthly attendance report

if checked, system will send personal attendance report of each month to extension user

TAAM (Time and Attendance Manager)

Attendance Report by Date

Time and Attendance Manager Mon Nov 7 14:52:05 2011 [Help](#) | [Logout](#)
root

Home Policy Trip and Vacation Report Configuration Report View

Attendance Report by Date

Shows attendance log for each user and summary information with specified day.

Select Date : 2011-10-19

Select Department : All

Attendance Report by Date (2011-10-19)

Type	Count
Late In	1
Early Out	1
Normal	10

	Username	Department	In	Out	Overtime	Office Hc	Result	Correction Ti	Corred
1	Eike batista	smart management팀	08:05:00	18:05:00	0 hr	10:0...	Normal		
2	Bill Gates	multimedia팀	09:15:00	17:15:00	0 hr	08:0...	Normal	2011-11-...	
3	Larry Ellison	multimedia팀	09:00:00	18:00:00	0 hr	09:0...	Normal		
4	karl Albrecht	smart framework팀	09:00:00	17:00:00	0 hr	08:0...	Early Out		
5	Carlos Slim Helu	smart management팀	09:10:00	19:10:00	0 hr	10:0...	Normal		
6	Lakshmi Mittal	multimedia팀	09:00:00	18:00:00	4 hr	09:0...	Normal		
7	Christy Walton	smart framework팀	09:00:00	18:00:00	0 hr	09:0...	Normal		

You can export to excel or print out for attendance report

attendance summary for each time and attendance code with specified date

administrator may adjust or correct attendance log which system have processed if necessary

TAAM (Time and Attendance Manager)

Attendance Report Excel Export

The screenshot shows an Excel window titled 'download.xls' displaying an attendance report for the date 2011-10-19. The report is structured as follows:

Attendance Report by Date (2011-10-19)								
Username	Department	In	Out	Overtime	Office Hours	Result	Correction Time	
Eike batista	smart management	08:05:00	18:05:00	0 hr	10:00:00	Normal		
Bill Gates	multimedia	09:15:00	17:15:00	0 hr	08:00:00	Normal	2011-11-07 14:52:28	
Larry Ellison	multimedia	09:00:00	18:00:00	0 hr	09:00:00	Normal		
karl Albrecht	smart framework	09:00:00	17:00:00	0 hr	08:00:00	Early Out		
Carlos Slim Helu	smart management	09:10:00	19:10:00	0 hr	10:00:00	Normal		
Lakshmi Mittal	multimedia	09:00:00	18:00:00	4 hr	09:00:00	Normal		
Christy Walton	smart framework	09:00:00	18:00:00	0 hr	09:00:00	Normal		
Lika Shing	smart framework	09:20:00	18:20:00	0 hr	09:00:00	Late In		
Stefan Persson	smart framework	09:00:00	20:00:00	2 hr	11:00:00	Normal		
Warren Buffett	multimedia	09:15:00	18:15:00	0 hr	09:00:00	Normal		
Amancio Ortega	smart management	09:00:00	21:00:00	3 hr	12:00:00	Normal		
Mukesh Ambani	smart management	09:00:00	18:30:00	0 hr	09:30:00	Normal		

TAAM (Time and Attendance Manager)

Attendance Report by Month

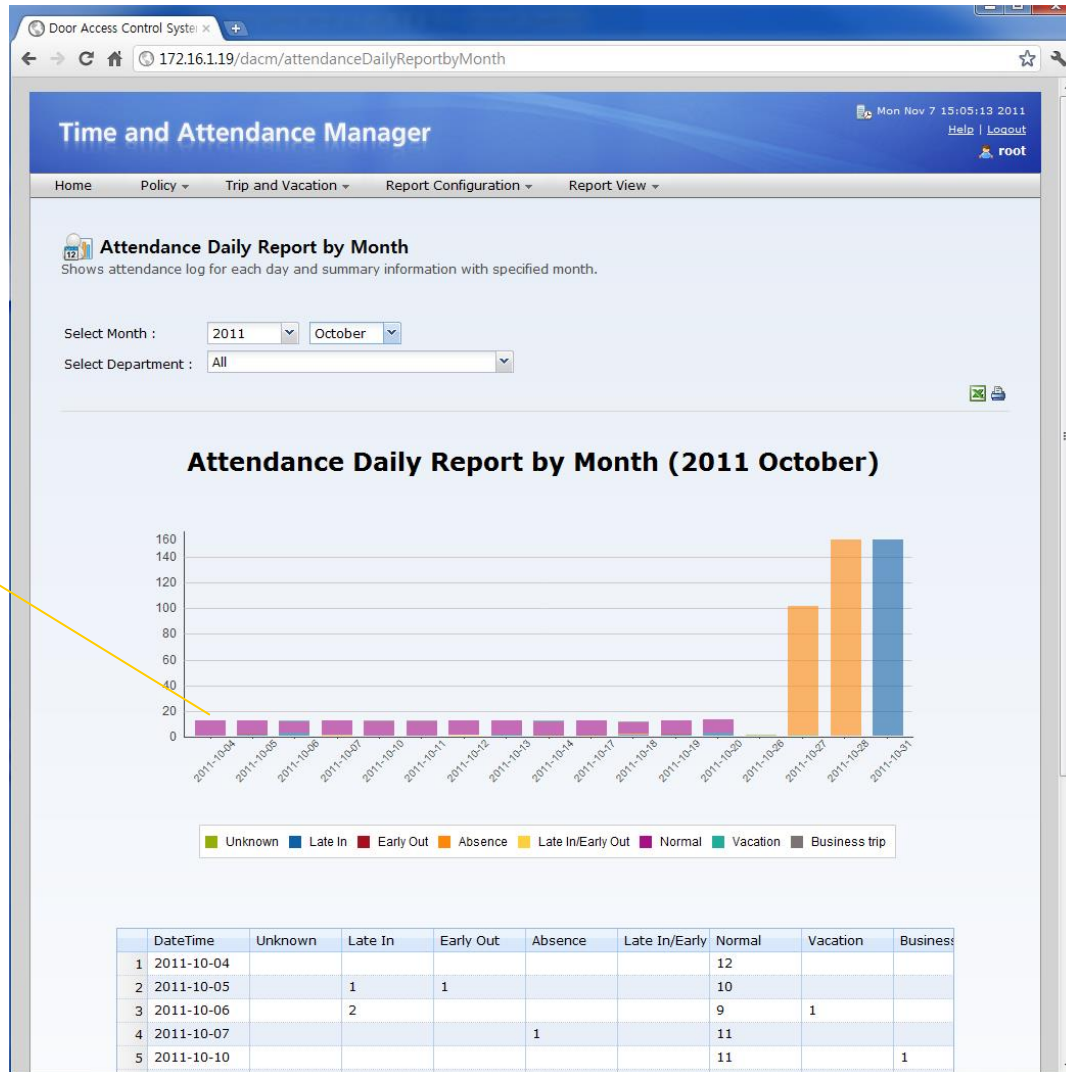


attendance summary for each time and attendance code with specified month

attendance summary for each extension user

TAAM (Time and Attendance Manager)

Attendance Daily Report by Month



clustered column of attendance summary with time span from first to end of the month

TAAM (Time and Attendance Manager) Attendance Personal Report

Attendance Personal Report
Shows attendance log of each day for the month with specified user.

Select Month : 2011 October
Select User : Carlos slim Helu

Attendance Personal Report (2011 October)
Carlos slim Helu (/2F/)

Type

Type	Count
Late In	1
Early Out	2
Absence	1
Normal	10
Business trip	1

	DateTime	In	Out	Overtime	Office Hours	Result
1	2011-10-04	09:00:00	18:00:00	0 hr	10:00:00	Normal
2	2011-10-05	09:00:00	18:00:00	0 hr	10:00:00	Normal
3	2011-10-06	09:00:00	18:00:00	0 hr	10:00:00	Normal
4	2011-10-07	09:00:00	18:00:00	0 hr	10:00:00	Normal
5	2011-10-10	09:10:00	19:10:00	0 hr	10:00:00	Normal
6	2011-10-11	09:10:00	19:10:00	0 hr	10:00:00	Normal
7	2011-10-12	09:10:00	19:10:00	0 hr	10:00:00	Normal
8	2011-10-13	09:10:00	19:10:00	0 hr	10:00:00	Normal
9	2011-10-14	09:10:00	17:10:00	0 hr	08:00:00	Early Out

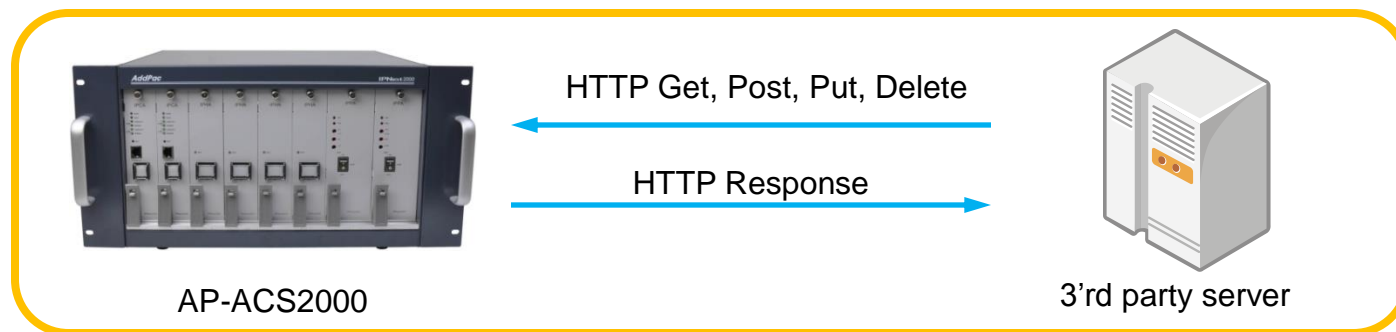
You can specify one extension user for attendance report of the month

attendance summary for time and attendance code of a extension user

AP-ACS2000 Open API

Open API




Open API for 3rd Party Management System



- HTTP based RESTful Open API for Door Access Management
- XML based Flexible and Expandable Message Contents
- Provides More than 40 APIs as Bellow
 - user_list(GET), user(GET, POST, PUT, DELETE), ...
 - terminal_list(GET), terminal(GET, POST, PUT, DELETE), ...
 - access_group(GET, POST, PUT, DELETE), priority (PUT), ...
 - card_list(GET), card(POST, PUT, DELETE), ...
 - schedule_template(GET, POST, PUT, DELETE), rule(GET, POST, PUT, DELETE) ,...

IP Video Phones

IP Video Phone Solution

	AP-VP500	AP-VP300N	AP-VP280
			
LCD Size	12.1 Inch Touch Screen	7Inch Touch Screen	7Inch Touch Screen
Camera	CCD	CCD	CMOS
Video Codec	H.263 MPEG4 H.264	H.263 MPEG4 H.264	H.263 MPEG4 H.264
Signaling	H.323/SIP	H.323/SIP	H.323/SIP
Video MCU	N/A	N/A	N/A
Voice MCU	3-Party	3-Party	3-Party
LAN Port	2	2	2
PoE	N/A	Support	Support

IP Soft Video Phone AP-SMP100



Product Overview

AP-SMP100 Smart Multimedia SoftPhone

Main Features

MS-Window based IP Soft Video Phone

IP Real-time Audio/Video Broadcasting Terminal Solution

Up to 30fps with VGA-Resolution(MPEG-4)

Video Conference Call Support (AddPac External MCU Inter-working)

Advanced Voice/Video Traffic QoS

Advanced Voice/Video Traffic QoS

SIP, H.323* Signaling Support

Support Various Call Signal via AddPac IP-PBX Inter-working

A/V Service Features

High-performance Video/Voice Codec Support

- H.263, MPEG-4, JPEG, and H.264
- G.711,G.726

Powerful Image Resolution Support

- QCIF(176x144), CIF(352x288), QVGA(320x240), 4CIF and VGA

64Kbps to 4Mbps Operating Video Traffic Bandwidth

Rate Control for Video Traffic QoS

Ensuring Optimized Quality

Frame Rate with Limited Bandwidth

High-end Error Resilient Against Various Packet Error



AP-SMP100

OSD Software Features

AP-SMP100 Smart Multimedia SoftPhone



OSD Software Features

AP-SMP100 Smart Multimedia SoftPhone



OSD Software Features

AP-SMP100 Smart Multimedia SoftPhone



Smart Door Phone Appl.



Contents

- AddPac AP-SAD100 Android Video Door Phone Appl.
 - AP-SAD100 Android Door Phone Appl. Overview
 - AP-SAD100 Network Service Diagram
 - AP-SAD100 SIP Register Diagram
 - AP-SAD100 SIP Video Call Flow Diagram
 - AP-SAD100 UI Design
 - AP-SAD100 Setting and Configuration
- 3'rd Party Video Phone Appl.(ex: Linphone)

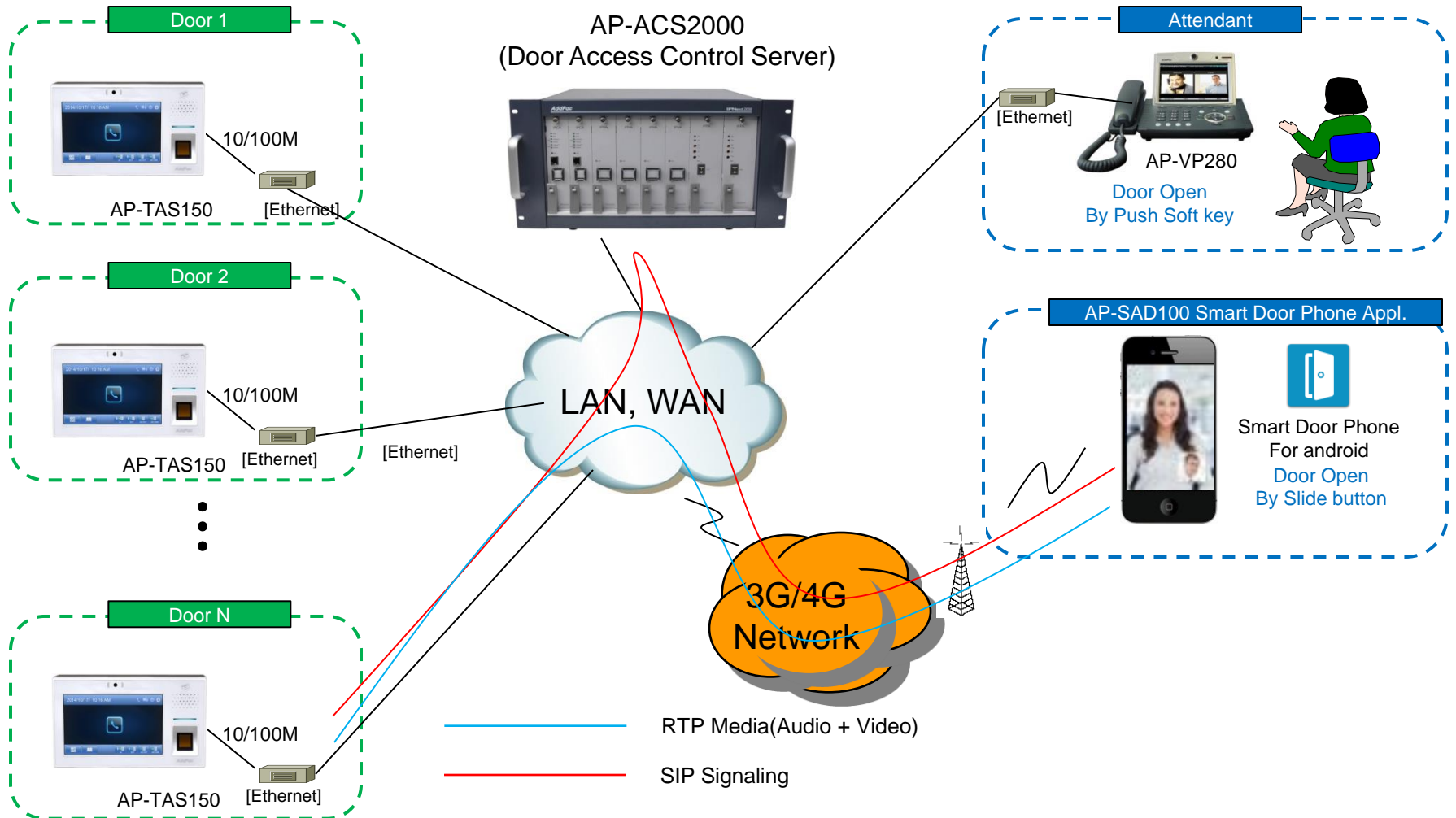
AddPac Smart Door Phone (Android Appl.)



AP-SAD100 Overview

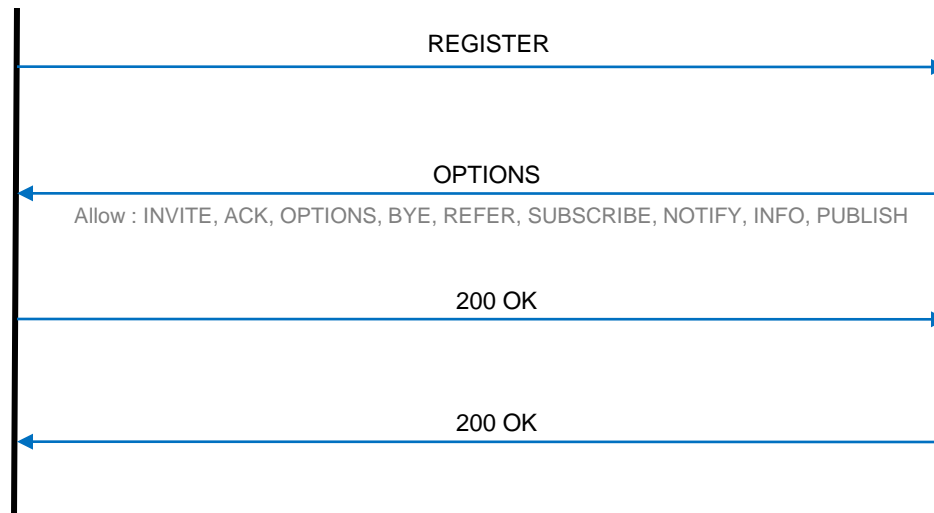
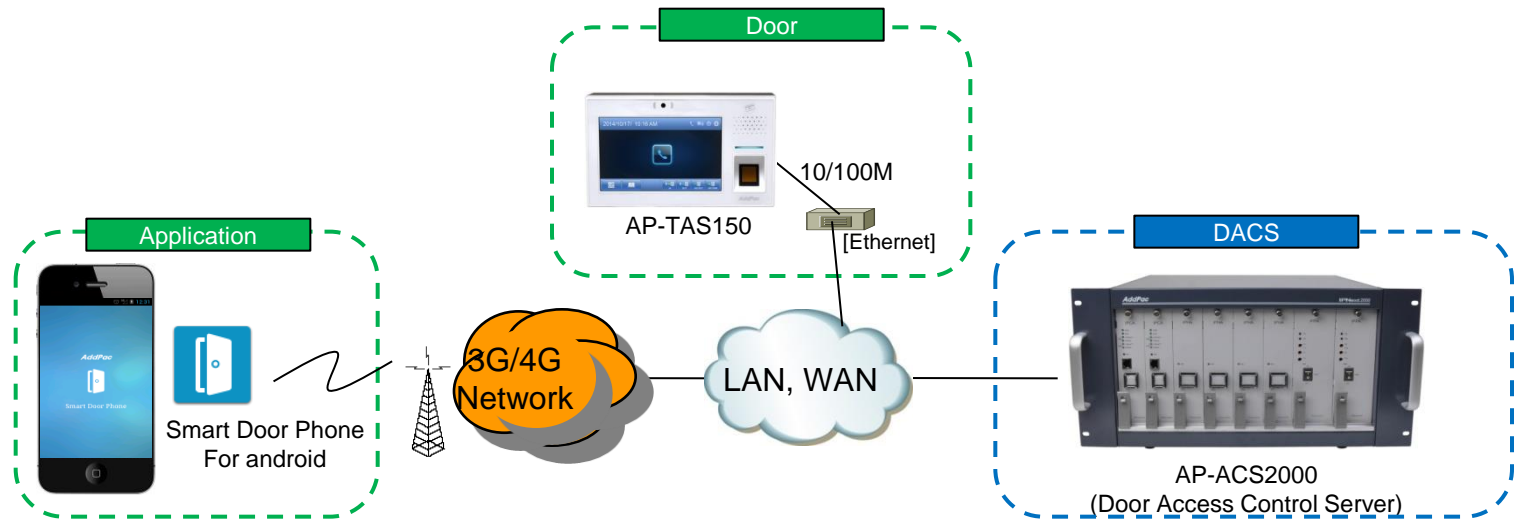
- It supports receiving a video call from door side video door phone by visitor.
- It supports opening the door optionally with password.
- It supports making a video call to door side video door phone to see door side.
- It supports unidirectional video stream from door phone or bidirectional video stream to door phone optionally.
- It supports standard based SIP signaling protocol.
- It supports below voice and video codecs
 - Voice Codec : G.711ulaw/alaw, G.726
 - Video Codec : H.264, H.263. MPEG4

AP-SAD100 Network Service Diagram



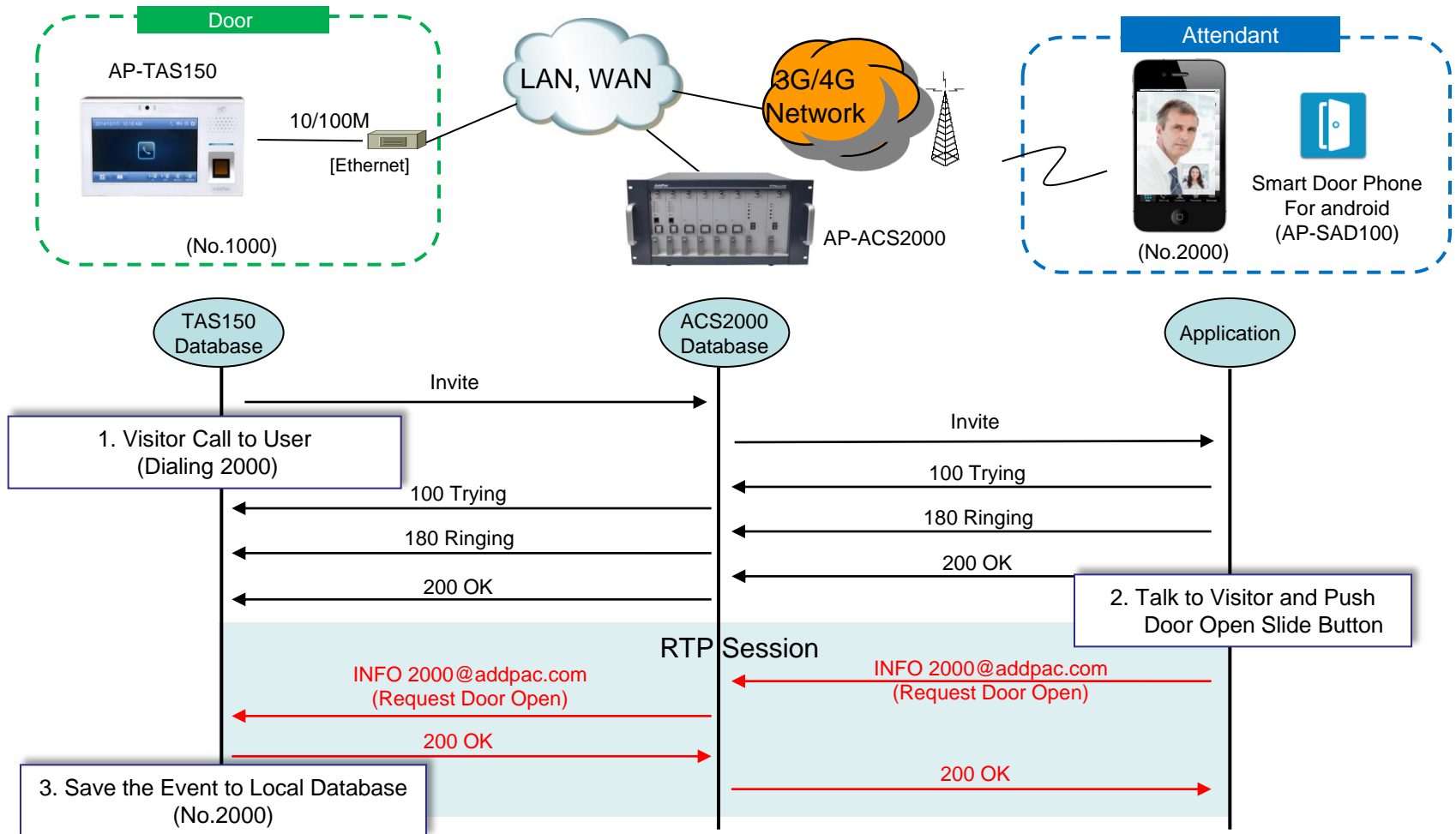
SIP Register

Smart Door Phone Application Register to AP-ACS1000



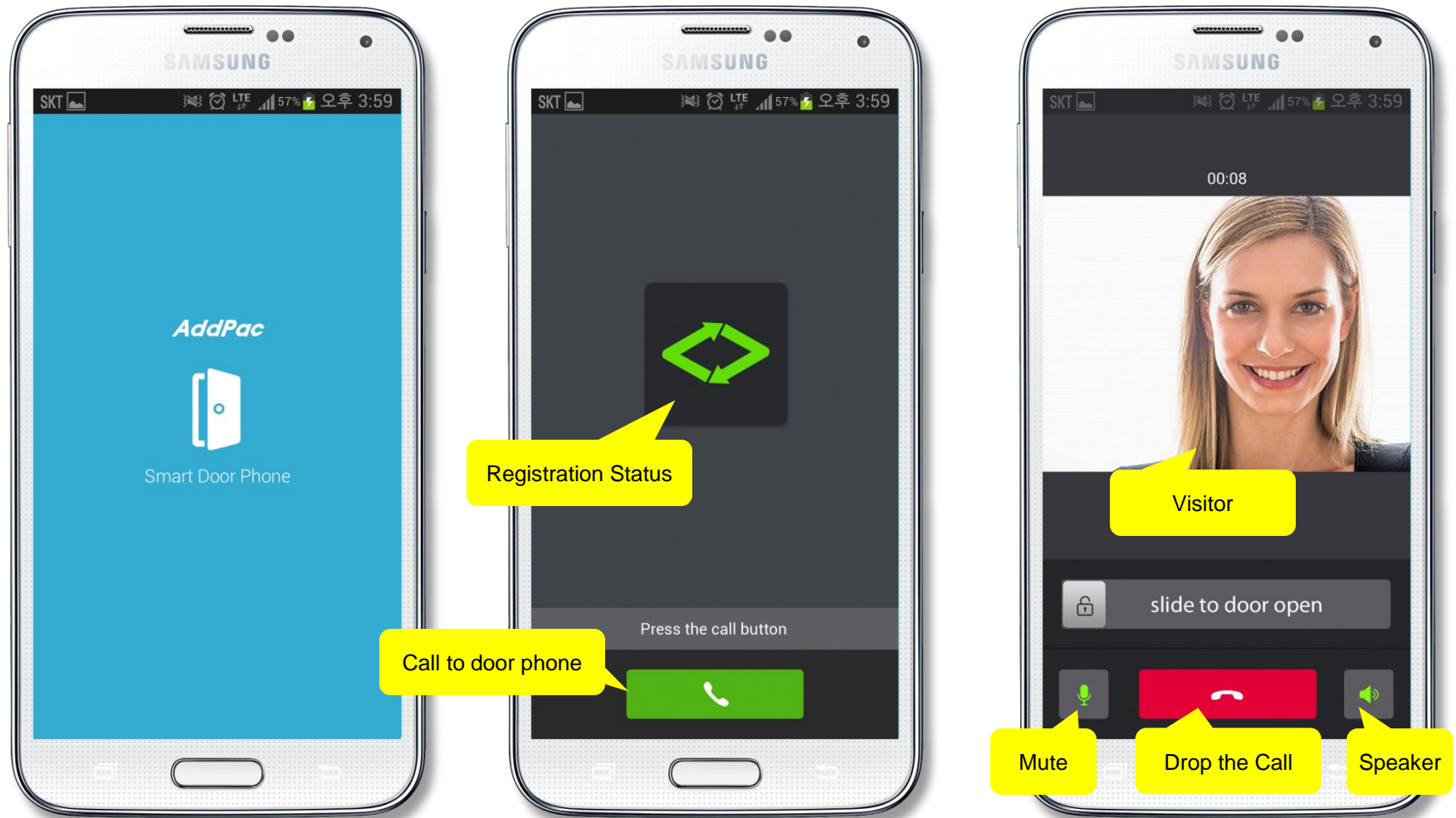
SIP Video Call Flow

Door Open Flow



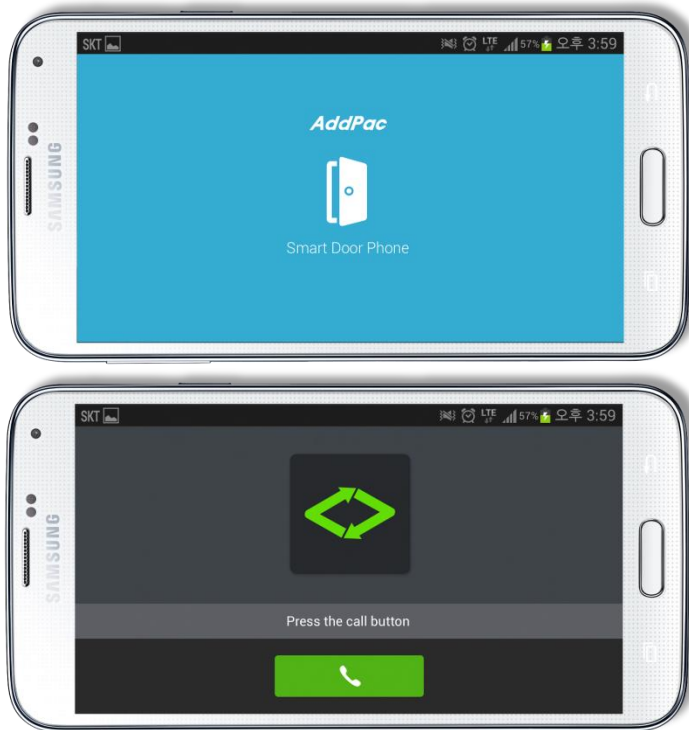
Smart Door Phone App.

Main screen (portrait)



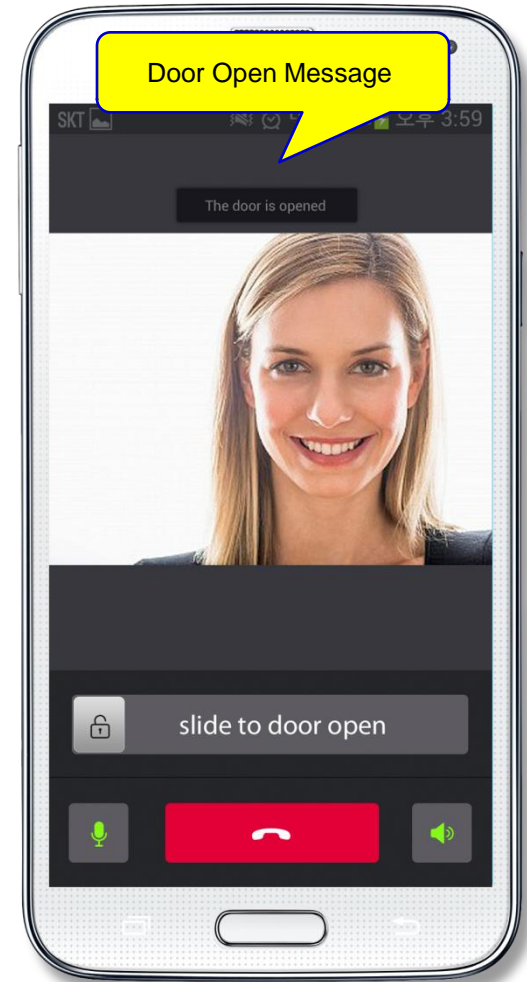
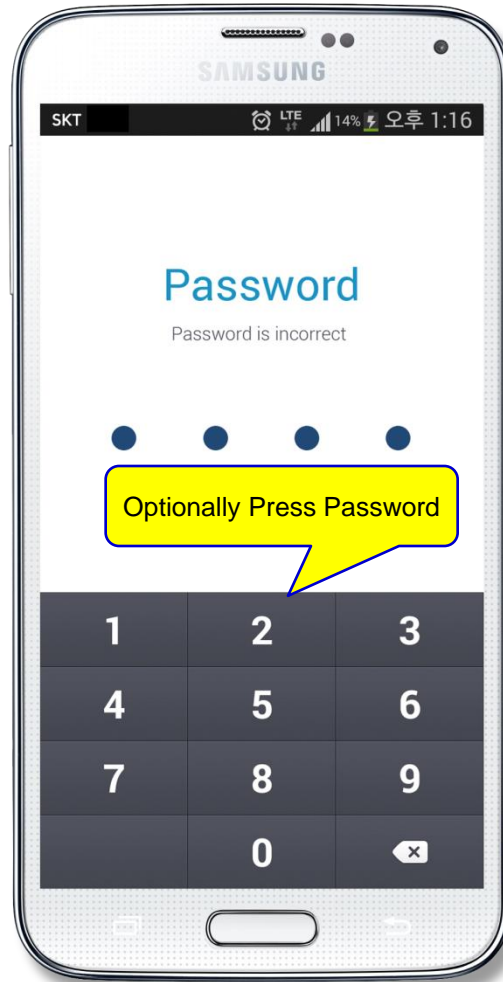
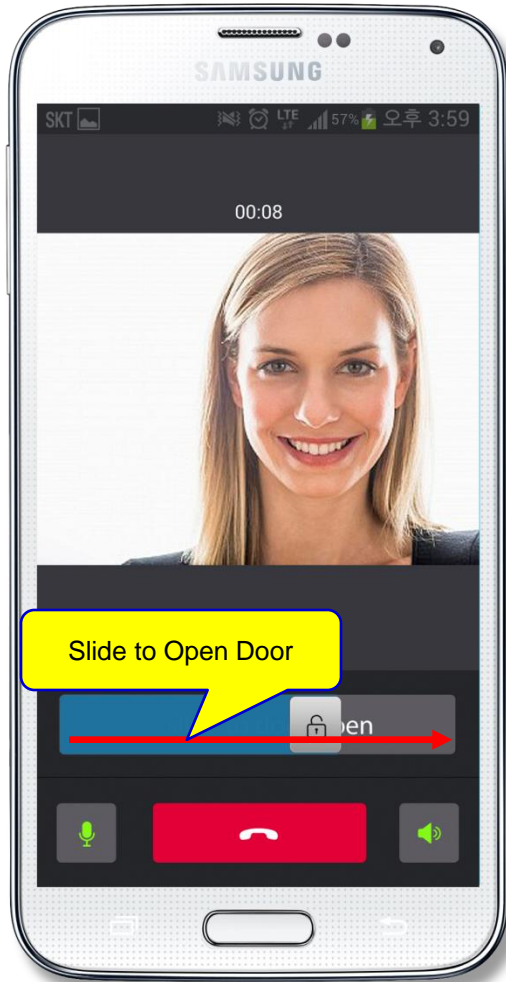
Smart Door Phone App.

Main screen (landscape)



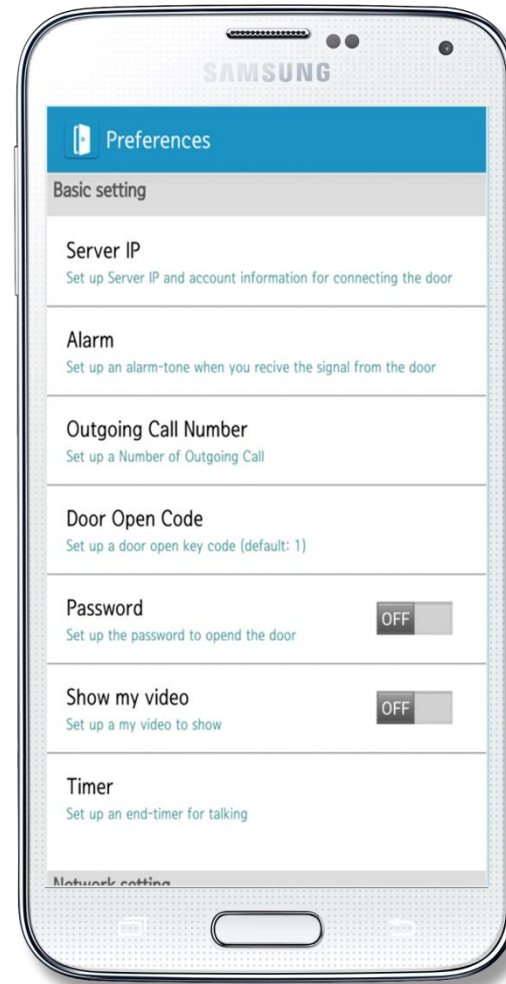
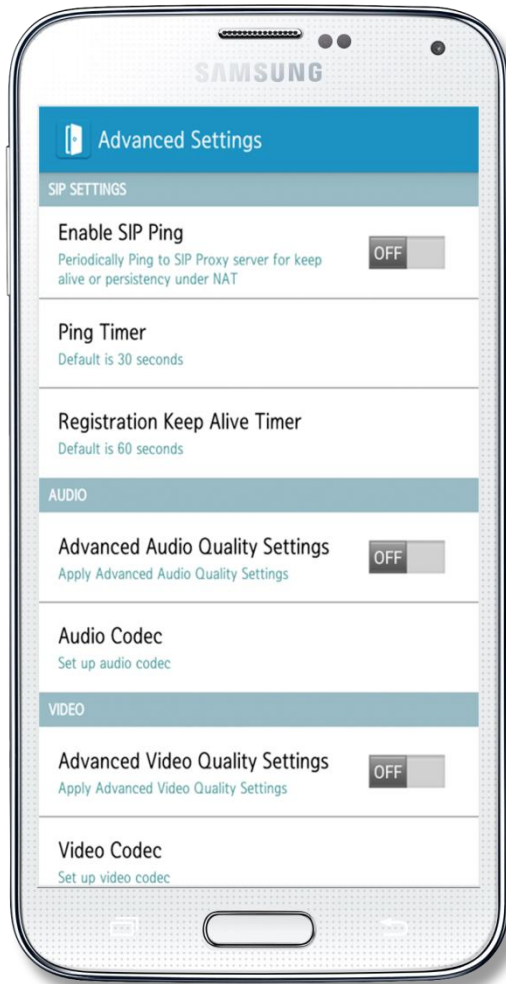
Smart Door Phone App.

Main screen (open the door)



Smart Door Phone App.

Application Settings



Thank you!

AddPac Technology Co., Ltd.
Sales and Marketing

Phone +82.2.568.3848 (KOREA)

FAX +82.2.568.3847 (KOREA)

E-mail : sales@addpac.com