

IP Video Intercom Solution

IP Video Intercom Solution
One-Touch Call button

AP-VAC200N IP Video Dpoor Phone
AP-VAC50N IP Video Dpoor Phone
AP-VAC20N IP Video Dpoor Phone

[Learn More >](#)



AddPac

AddPac Technology

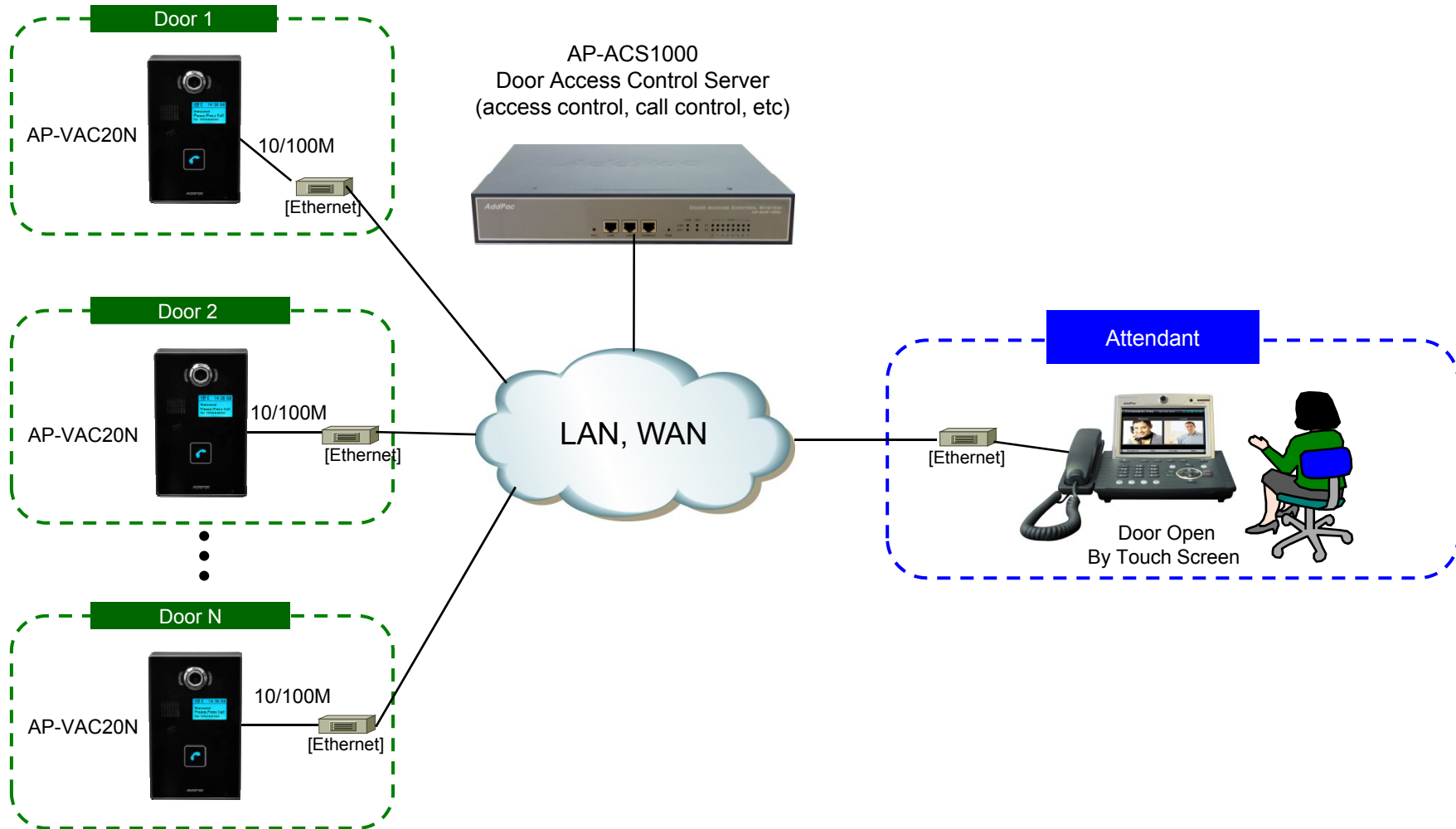
2014, Sales and Marketing

www.addpac.com

Contents

- IP Video Intercom Service Diagram
- IP Video Intercom Solution
 - AP-VAC20N
 - AP-VAC50N
 - AP-VAC200N
- Backend Solution
 - AP-ACS1000 IP Door Access Control Server
 - AP-VP280, AP-VP120 IP Video Phone
 - AP-VIC100 IP Video Intercom
 - AP-SMP100 IP Soft Video Phone
 - Video Only Door Control S/W for Desktop

IP Video Intercom Service Diagram






One Touch Call Button SIP Video Intercom

One Touch Call Button SIP Video Intercom Comparison Table

Model	AP-VAC200N	AP-VAC50N	AP-VAC20N
Service Features			
Duplex (Voice)	Full Duplex	Full Duplex	Full Duplex
Key Pad	One(1) Call Button	One(1) Call Button	One(1) Call Button
LCD	3.5inch LCD	2inch LCD	Graphic LCD
RF Card	Support	Support	Support
Fingerprint	Support	N/A	N/A
Camera Sensor	SD(VGA)	SD(VGA)	SD(VGA)
Video Codec	SD, H.264/MPEG4	SD, H.264/MPEG4	SD, H.264/MPEG4
Voice Codec	G.711	G.711	G.711
Signaling	H.323/SIP	H.323/SIP	H.323/SIP
MIC & Speaker Phone	Support	Support	Support
LAN Port	1	1	1
PoE (Option)	Support	Support	Support



AP-VAC200N
One Touch Call Button
SIP Video Intercom

Product Overview

AP-VAC200N Fingerprint Recognition SIP Video Intercom

- High Performance SIP Video Intercom Solution
- Video Camera, Video Call Button, TFT Color LCD, Internal MIC & Speaker
- High Quality 3.5 Inch LCD, 320 x 240 Video Resolution
- Fingerprint Recognition Support
- RF Card Support
- SIP VoIP Signaling Stack Embedded
- High-performance Video/Voice Codec Support
 - H.264/MPEG4, G.711, etc
- One(1) 10/100Mbps Fast Ethernet
- PoE(Power over Ethernet) Support
- High Quality Speaker Phone Features
- Powerful Acoustic Echo Canceller Chip Embedded
- Powerful Network Protocols (PPPoE, DHCP, Static Routing, etc)
- Firmware Upgradeable Architecture
- Advanced Voice QoS Mechanism

Hardware Specification

AP-VAC200N Fingerprint Recognition SIP Video Intercom

RISC
CPU

High-end
DSP

- **Acoustic Echo Canceller**
 - Full-duplex operation during double-talk situations
 - One channel AEC, one channel LEC up to 256ms shared
 - Cancels echoes with up to 10dB echo return
 - Advanced noise reduction(up to 20dB)
- **Speaker**
 - Impedance : 8 +/-15%ohm at 1kHz, 1.0 Vrms
 - Sound Pressure : 90 +/- 3dB at 0.1W/10 CM
at 800Hz, 1.0kHz, 1.2kHz, 1.5kHz
 - Resonance Level : 550Hz +/- 20%Hz at Fo Hz, 1.0Vrms
 - Frequency Range : Fo Hz ~20kHz
 - Input Power : Normal : 1.0 W, Max : 2.0W
- **Audio Amplifier**
 - 1-W BTL Output(5V, 0.11 % THD+N)
 - Uncompensated Gains of 2 to 20 (BTL Mode)
 - Thermal and Shot-circuit Protection
 - High Supply Ripple Rejection Ratio
- **PoE(Power over Ethernet)**
 - IEEE802.3af compliant
 - Input voltage range 36V to 57V
 - Short-circuit Protection

Hardware Specification

AP-VAC200N Fingerprint Recognition SIP Video Intercom

RISC
CPU

High-end
DSP

- **LCD Controller**
 - One-Chip Solution for amorphous TFT-LCD
 - Support resolution up to 240xRGBx320
 - Built-in 172800 bytes internal RAM
 - 6,8,16, and 18-bit RGB Interface
 - Resize Function (x ½, x ¼)
 - On-Chip Power Management System
- **Camera**
 - High Sensitivity for low-light operation
 - Output support for Raw RGB, RGB, and YCrCb format
 - Image Size : VGA, QVGA, and any size scaling down from CIF to 40x30
 - Support AEC, AGC,AWB, ABF, ABLC
 - Saturation Level, Edge Enhancement Level, De-noise level Auto adjust

Hardware Specification

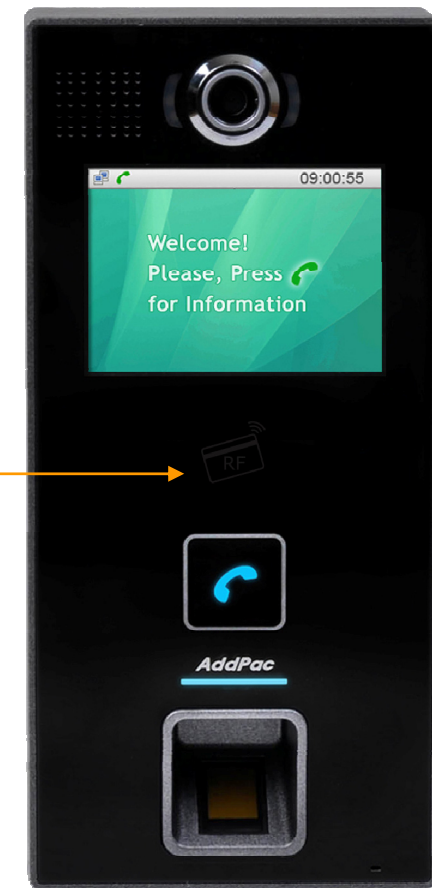
AP-VAC200N Fingerprint Recognition SIP Video Intercom

RISC
CPU

High-end
DSP

- RF Card Sensor
 - Protocol Supported
 - ISO14443A/B all bit rates
 - > 106,212,424 and 848 kbps
 - Compatible to MiFare Classic
 - ISO15693 all modes
 - > 1.65/6.6 & 26.5 kbps
 - > Uplink 1 & 2 sub-carrier
 - Receiver
 - Rx Sensitivity down to 1mVrms
 - Rx Automatic Gain Control
 - Accept external baseband signal from external circuitry for frame level processing
 - Integrated signal strength indicator (SSI)
 - On-Chip Framing handler for supported standard
 - Transmitter
 - Typical proximity operating distance up to 100mm.
 - Software configurable modulation index
 - Maximum driving current up to 200 mA/PIN @ 5V
 - Accept external baseband signal for RF modulation
 - Wide Transmitter driver supply range from 2.7~7.0V

RF Card Sensor



Hardware Specification

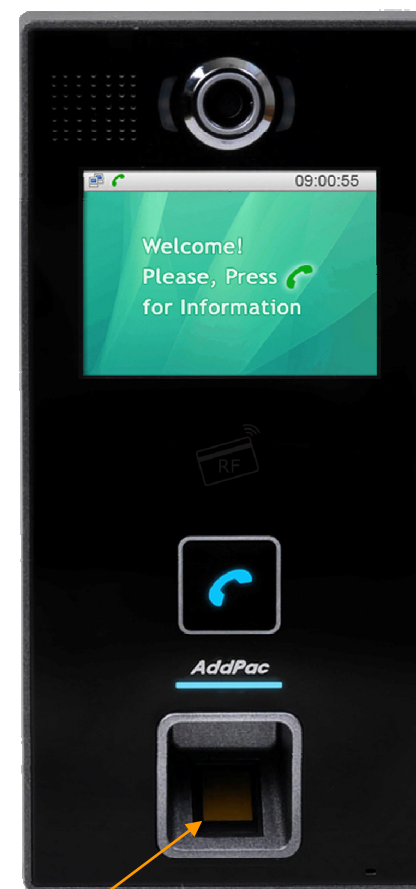
AP-VAC200N Fingerprint Recognition SIP Video Intercom

RISC
CPU

High-end
DSP

- Fingerprint Recognition

- Sensor Type : Capacitive
- Resolution(dpi) : 508
- Sensing Area(mm) : 12.8 x18.0
- Image Size(pixel) : 256 x 360
- CPU : 400MHz DSP
- Flash Memory : 4MB
- ERR : < 0.1%
- Enrollment Time : 800msec
- 1:1 Verification Time : 800msec
- 1:1000 Identification Time : 970msec
- Template Size : 256~384bytes (configurable, 384bytes default)
- Template Capacity : 9,000
- Encryption : 256bit AES



Fingerprint Recognition

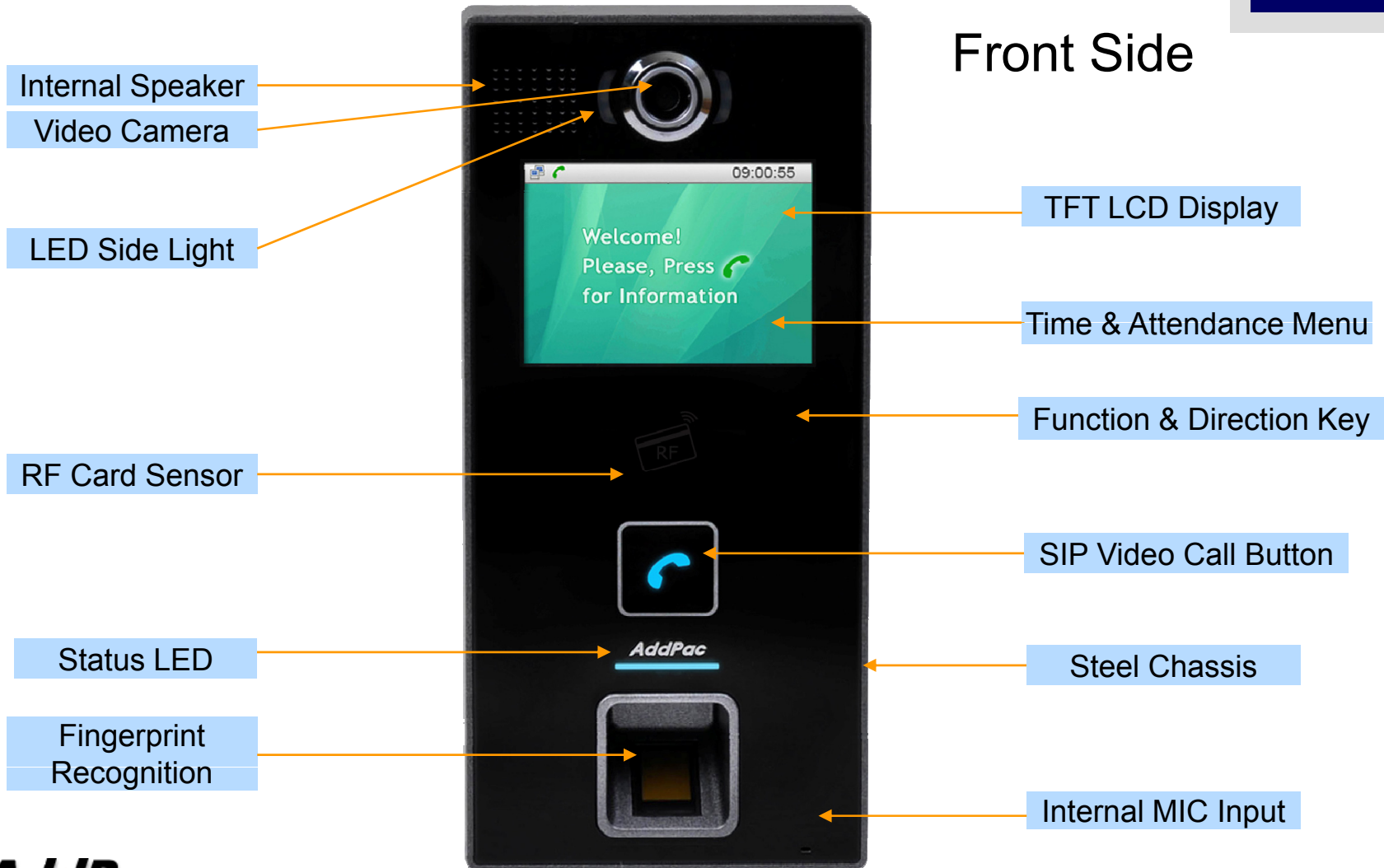
Hardware Specification

AP-VAC200N Fingerprint Recognition SIP Video Intercom

RISC
CPU

High-end
DSP

Front Side



AddPac

www.addpac.com

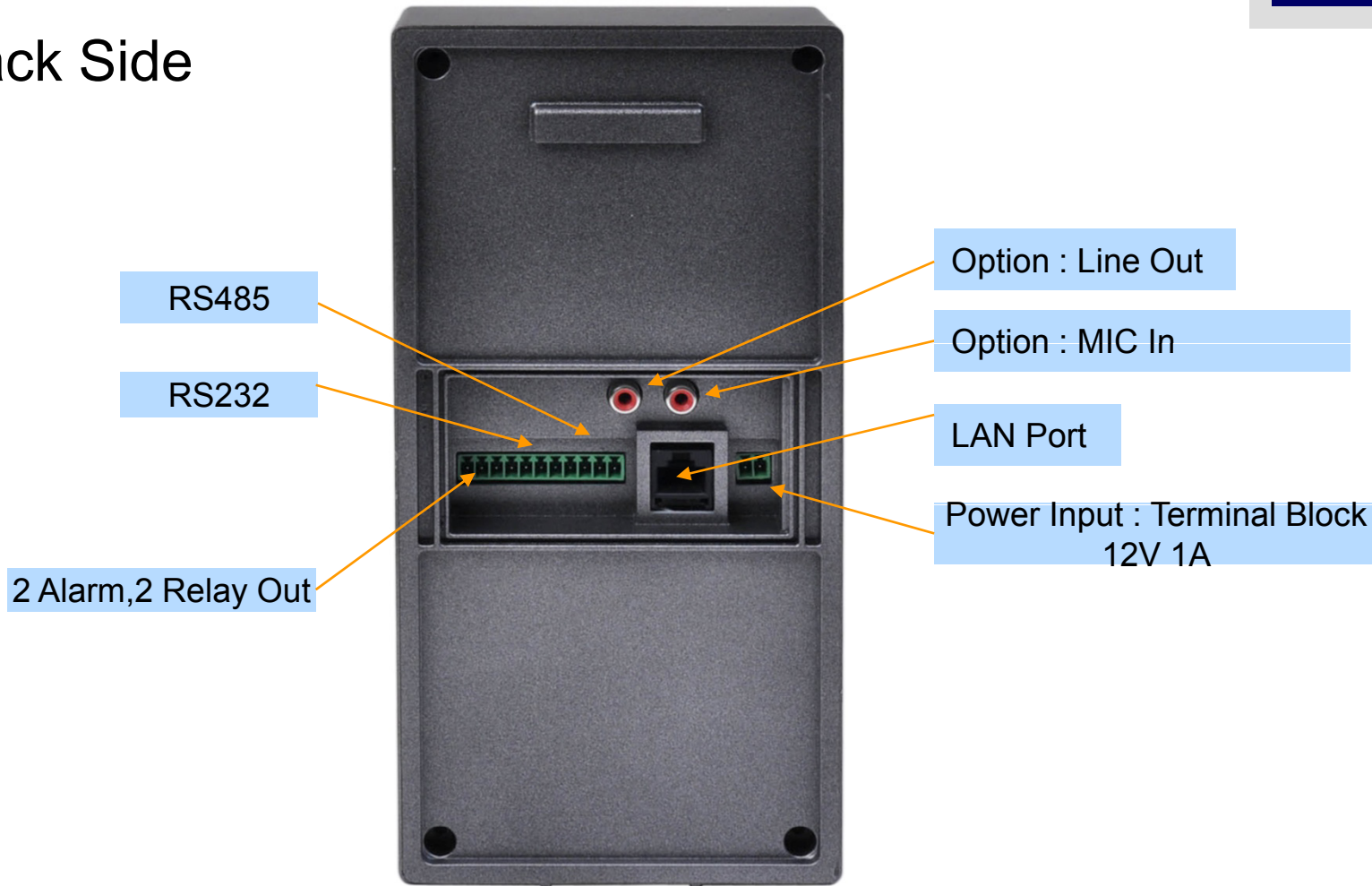
Hardware Specification

AP-VAC200N Fingerprint Recognition SIP Video Intercom

RISC
CPU

High-end
DSP

Back Side



Hardware Specification

AP-VAC200N Fingerprint Recognition SIP Video Intercom

RISC
CPU

High-end
DSP

Power Supply


Terminal Block



12V 1A Power Adaptor

Example





AP-VAC50N
One Touch Call Button
SIP Video Intercom

Main Features

AP-VAC50N One-Touch Call Button SIP Video Intercom

- High Performance IP Video Intercom Solution
- Video Camera, One(1) Call Button, TFT Color LCD, Internal MIC & Speaker
- H.323/SIP Concurrent VoIP Signaling Stack Embedded
- RF Card Interface
- High-performance Video/Voice Codec Support
 - H.264/MPEG4, G.711, etc
- One(1) 10/100Mbps Fast Ethernet
- PoE(Power over Ethernet) Support
- High Quality Speaker Phone Features
- Powerful Acoustic Echo Canceller
- Powerful Network Protocols (PPPoE, DHCP, Static Routing, etc)
- Firmware Upgradeable Architecture
- Advanced Voice QoS Mechanism

Hardware Specification

AP-VAC50N One-Touch Call Button SIP Video Intercom

- RISC+DSP Microprocessor Computing Power (Dual Processor Architecture)
- Audio and Voice Interface
 - Internal MIC
 - Internal Speaker
- Video Camera Interface
- 2 Inch TFT Color LCD Interface
- One(1) Touch Call Button
- RF Card Interface
- Network Interface
 - One(1) 10/100Mbps Fast Ethernet
- Alarm & Relay Out Interface (door open, etc)
- RS232/RS422/RS485 Interface
- Power Supply
 - Power over Ethernet (Option)
 - External Power Supply

Hardware Specification

AP-VAC50N One-Touch Call Button SIP Video Intercom

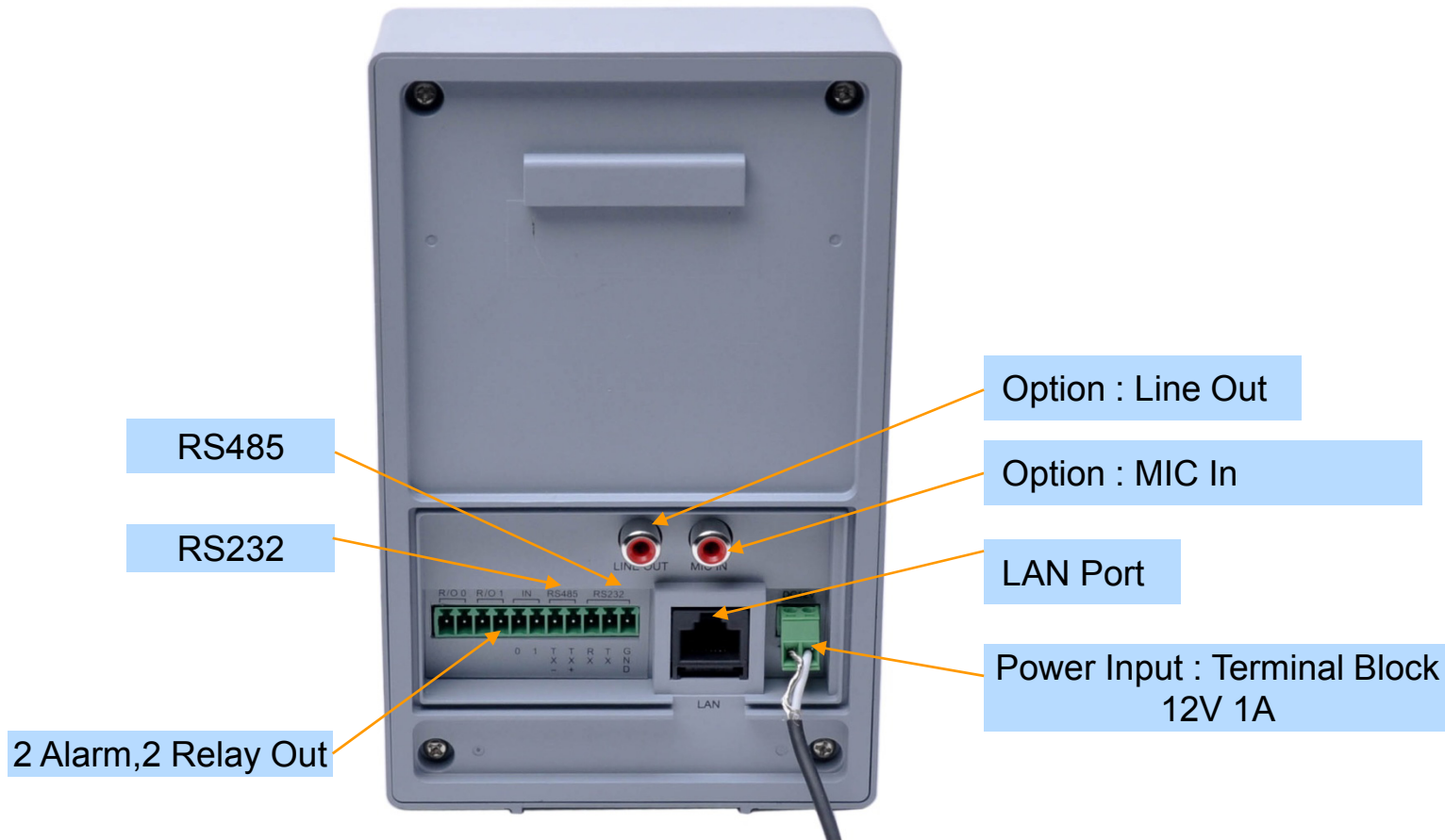
Front Side



Hardware Specification

AP-VAC50N One-Touch Call Button SIP Video Intercom

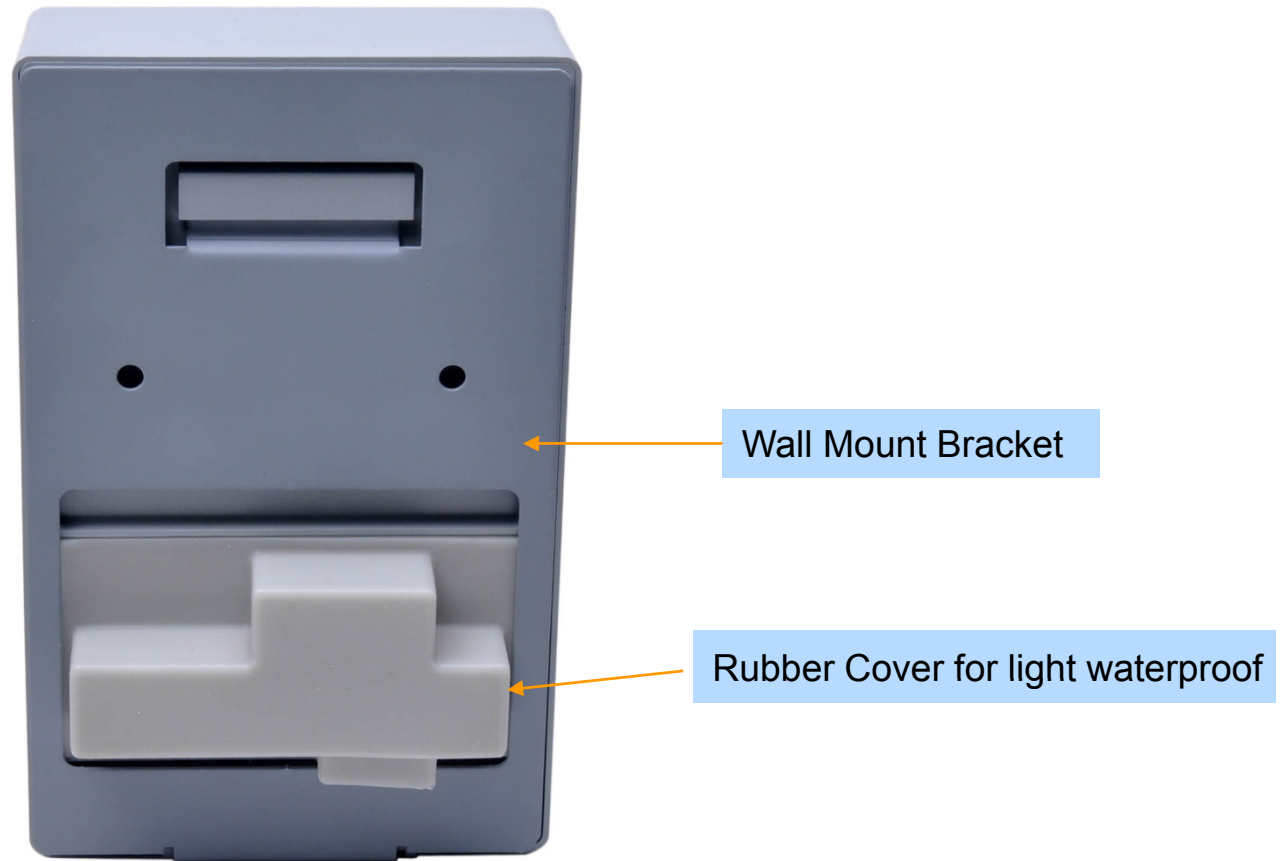
Back Side




Hardware Specification

AP-VAC50N One-Touch Call Button SIP Video Intercom

Back Side





AP-VAC20N

One Touch Call Button

SIP Video Intercom

Main Features

AP-VAC20N One-Touch Call Button SIP Video Intercom

- High Performance IP Video Intercom Solution
- Video Camera, One(1) Call Button, LCD, Internal MIC & Speaker
- H.323/SIP Concurrent VoIP Signaling Stack Embedded
- RF Card Interface
- High-performance Video/Voice Codec Support
 - H.264/MPEG4, G.711, etc
- One(1) 10/100Mbps Fast Ethernet
- PoE(Power over Ethernet) Support
- High Quality Speaker Phone Features
- Powerful Acoustic Echo Canceller
- Powerful Network Protocols (PPPoE, DHCP, Static Routing, etc)
- Firmware Upgradeable Architecture
- Advanced Voice QoS Mechanism

Hardware Specification

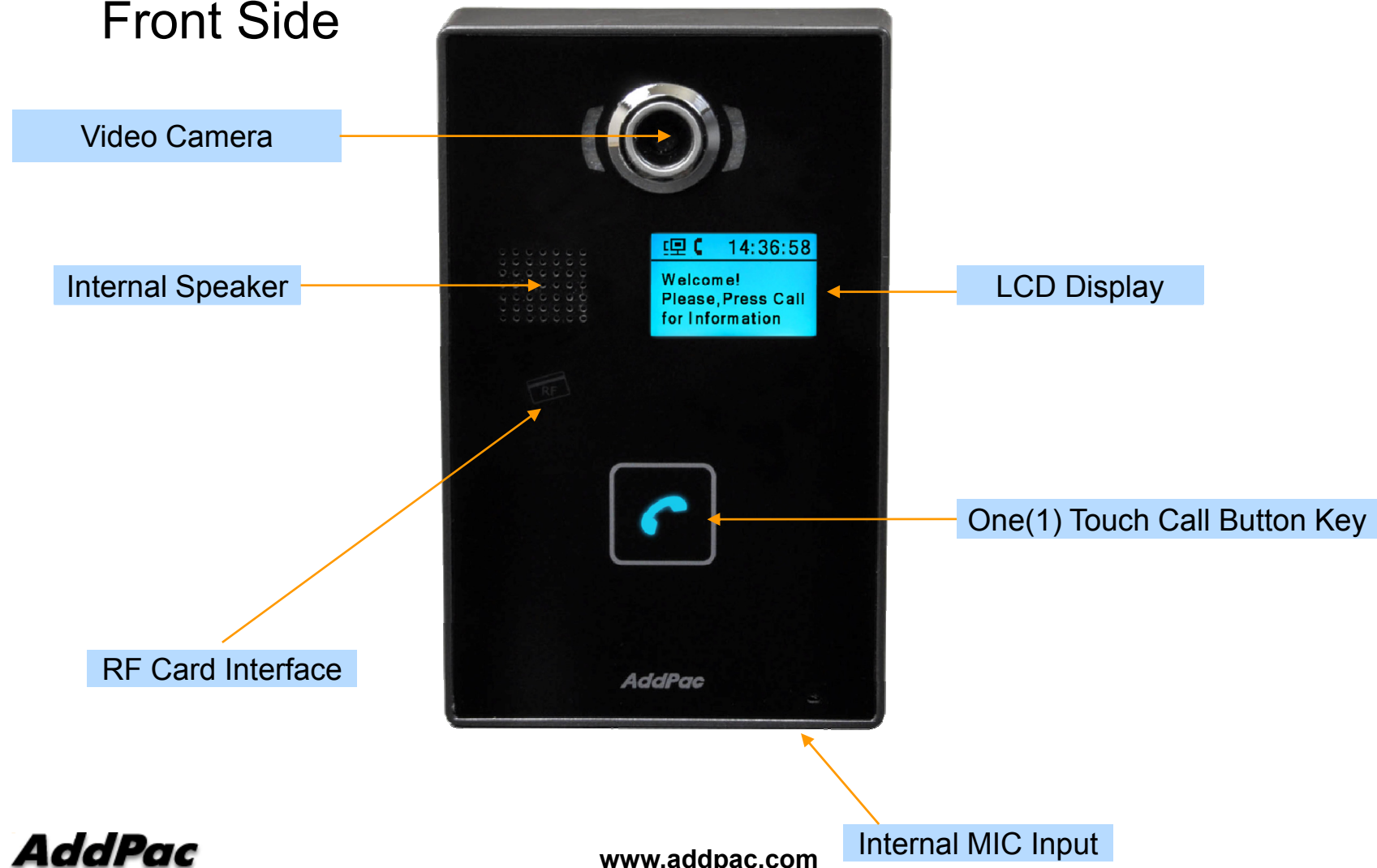
AP-VAC20N One-Touch Call Button SIP Video Intercom

- RISC+DSP Microprocessor Computing Power (Dual Processor Architecture)
- Audio and Voice Interface
 - Internal MIC
 - Internal Speaker
- Video Camera Interface
- One(1) Touch Call Button
- RF Card Interface
- Graphic LCD Interface
- Network Interface
 - One(1) 10/100Mbps Fast Ethernet
- Alarm & Relay Out Interface (door open, etc)
- RS232/RS422/RS485 Interface
- Power Supply
 - Power over Ethernet (Option)
 - External Power Supply

Hardware Specification

AP-VAC20N One-Touch Call Button SIP Video Intercom

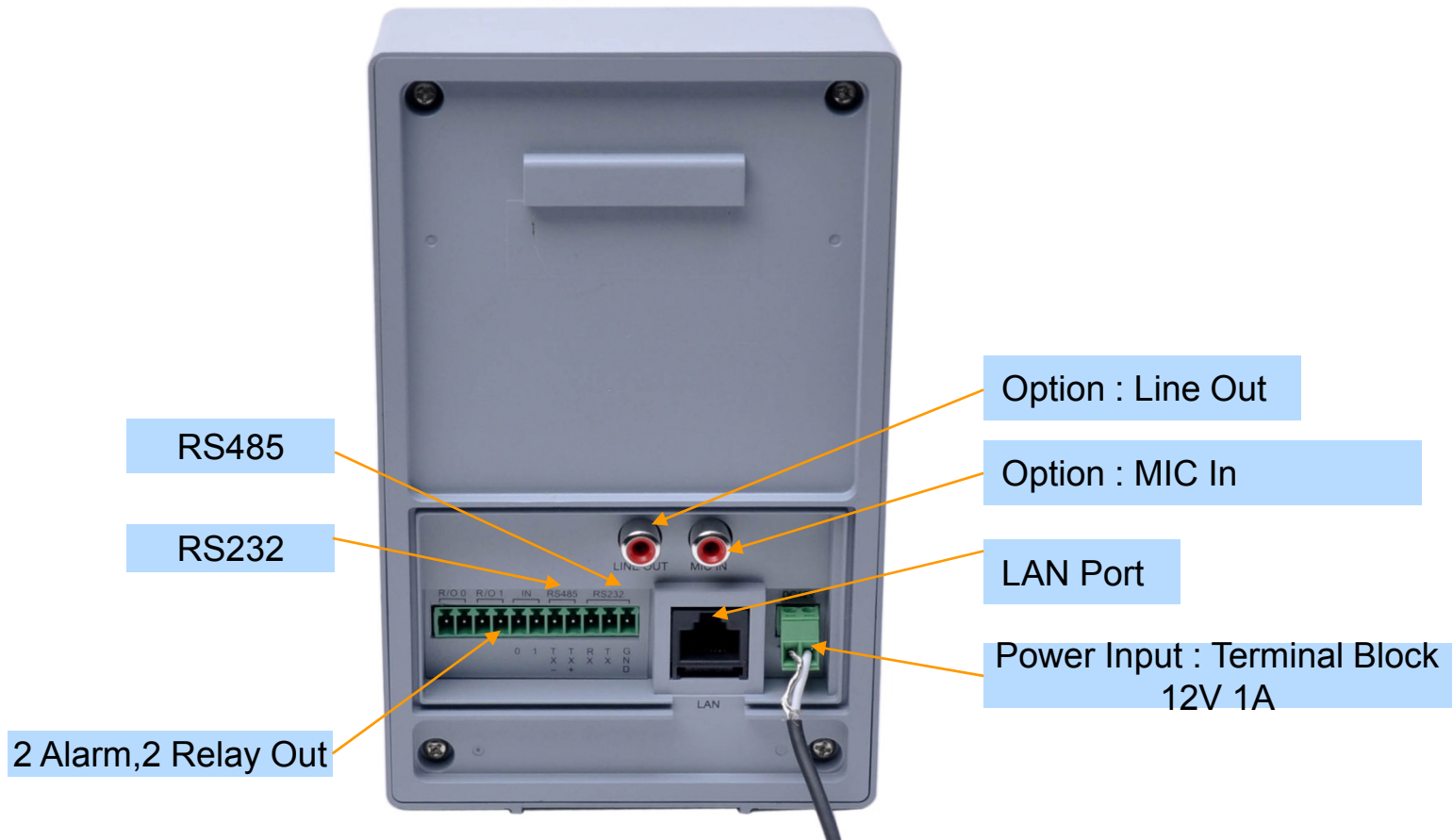
Front Side



Hardware Specification

AP-VAC20N One-Touch Call Button SIP Video Intercom

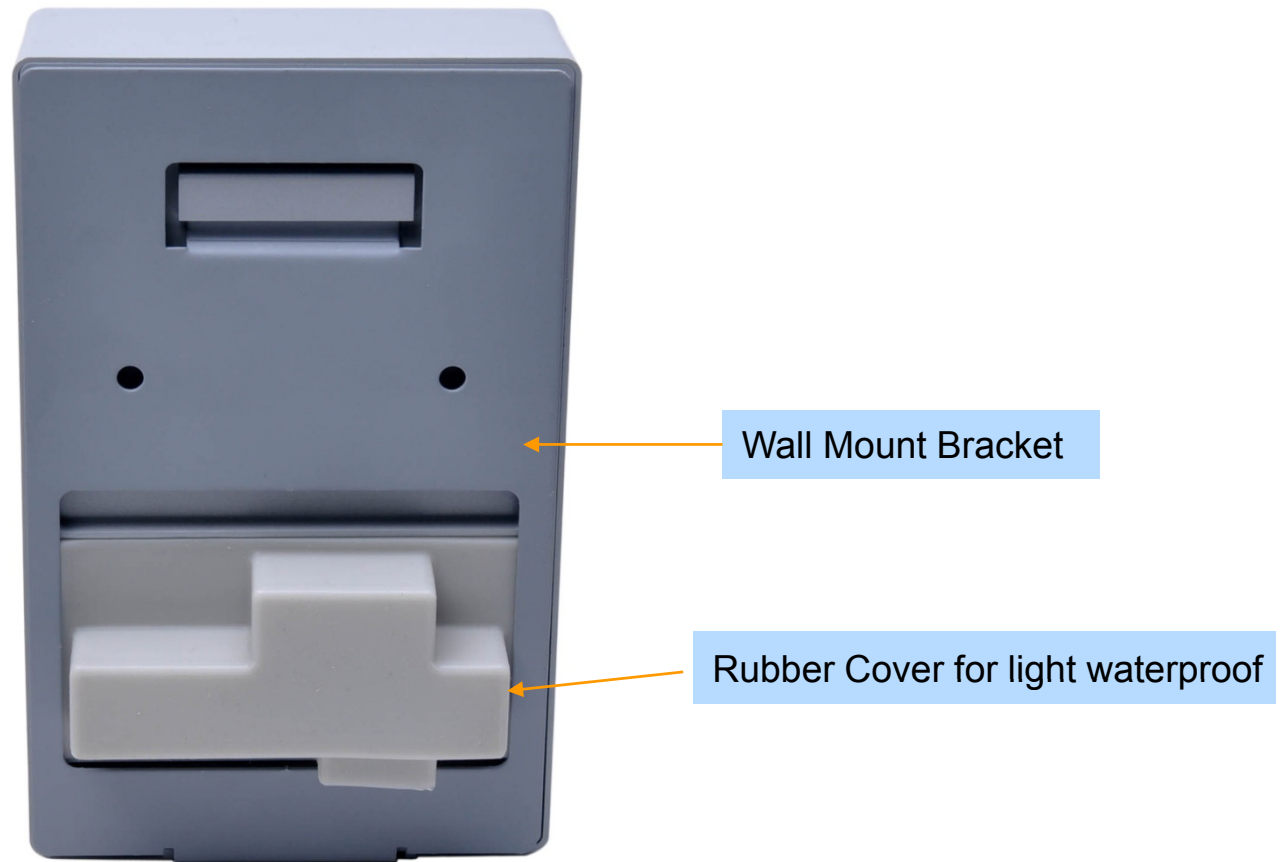
Back Side



Hardware Specification

AP-VAC20N One-Touch Call Button SIP Video Intercom

Back Side





Thank you!

AddPac Technology Co., Ltd.
Sales and Marketing

Phone +82.2.568.3848 (KOREA)

FAX +82.2.568.3847 (KOREA)

E-mail : sales@addpac.com