

Full HD Video Transmission Codec Solution

Full HD Video Trasmision Codec Solution

- AP-NC3500 HD Video Codec
- AP-NC3000 HD Video Codec
- AP-NC2000 HD Video Codec
- AV3500 HD Video Codec Module

[Learn More >](#)



AddPac

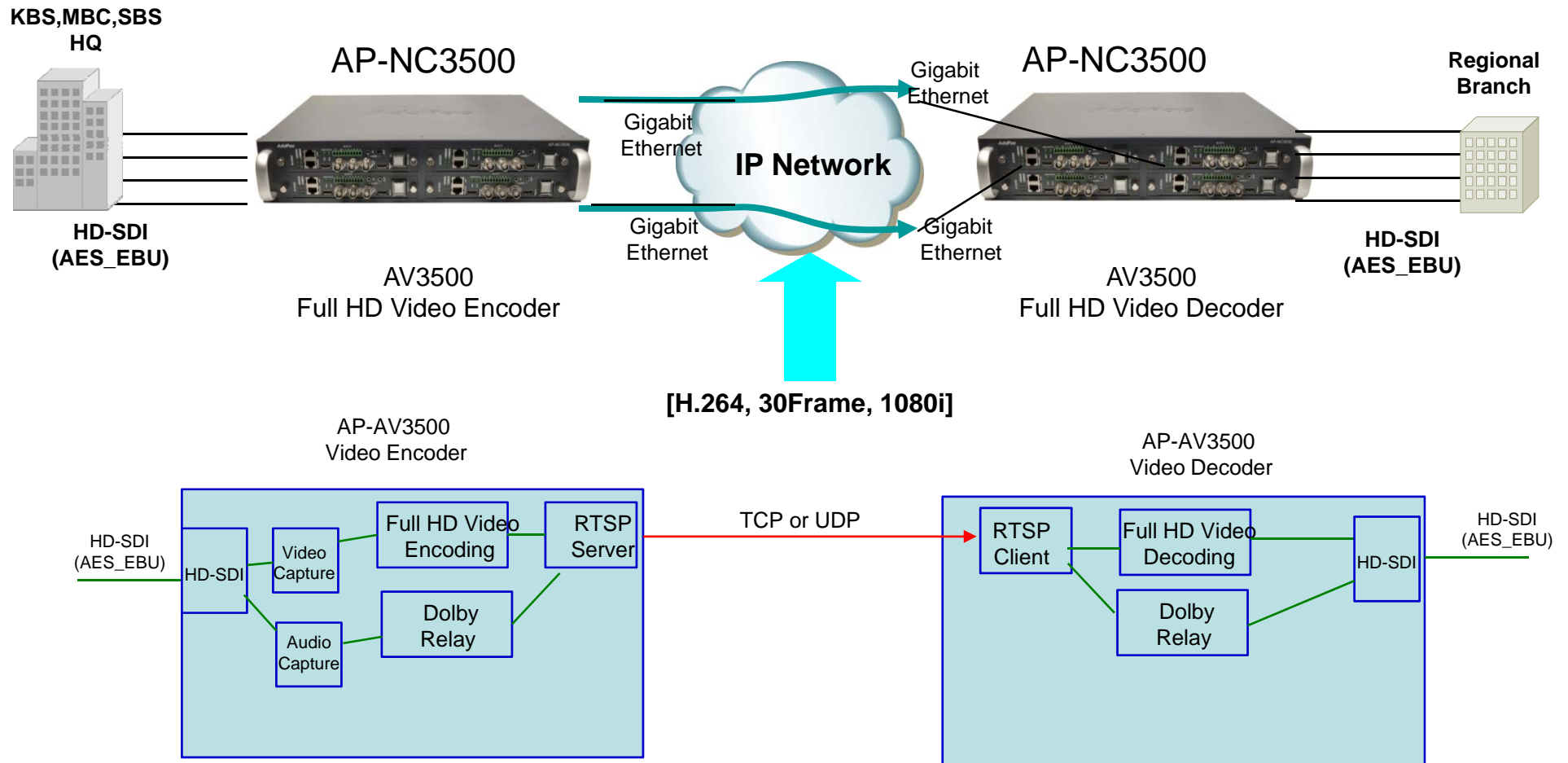
AddPac Technology

2013, Sales and Marketing

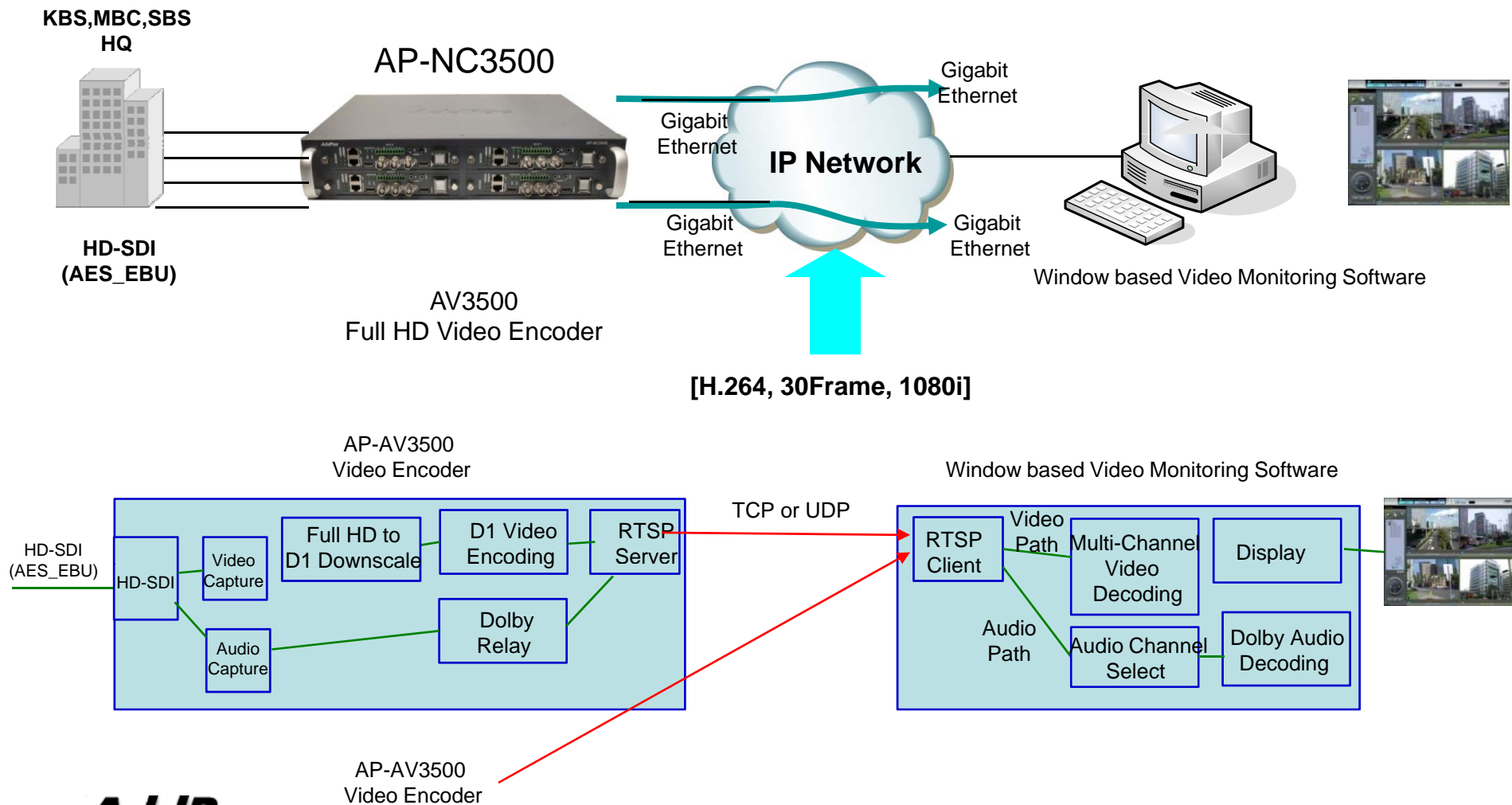
Contents

- Full HD Video Transmission Network Diagram
 - Full HD Video Transmission
 - Full HD Video Line Monitoring
- Full HD Video Transmission Codec Module
 - AV3500 Video Codec Module
- Full HD Video Transmission Hardware Platforms
- Full HD Video Transmission Protocols
 - RTSP Service Network Diagram
 - RTSP Service Features

Network Diagram (Full HD Video Line Extension)



Network Diagram (Full HD Video Line Monitoring)



Full HD Video Transmission Codec Module (AP-AV3500)



Main Features

AV3500 Full HD Video Codec Module

- Full HD (1080i) Video Encoding/Decoding Service Features
- Video Codec : H.264 HP/MP/BP
- Video Input Interface : HDMI, HD-SDI, Analog (NTSC, PAL)
- Video Output Interface : HDMI, HD-SDI, Analog (NTSC, PAL)
- RTSP/RTP, TCP/UDP Protocol Support
- AES_EBU HD-SDI Audio Service Support
- IP based Dolby Relay Support
- IP based Full HD Video Transmission Solution
- High-performance Video, Audio, and Voice Service
- Firmware Upgradeable Architecture
- Video Solution with Outstanding Network Service Capability
- Web based Management Service
- AP-NC2000, AP-NC3000, AP-NC3500, AP-NC5000 Platform Available

Hardware Specification

AV3500 Full HD Video Codec Module

RISC
CPU

High-End
VP

- RISC + Video Processor Computing Power
- AV3500 Video Module
 - Network Interface
 - One(1) 10/100/1000Mbps Gigabit Ethernet
 - Video Interface
 - One(1) Channel HD-SDI Input
 - One(1) Channel HDMI Input
 - One(1) Channel CVBS Input or Output (selected by DIP Switch)
 - One(1) Channel HD-SDI Output
 - One(1) Channel HDMI Output
 - One(1) RS-232 Console Interface (RJ45)
 - Camera Control Interface
 - One(1) RS-232C, RS485 Interface
 - I/O Interface
 - Two(2) Alarm Input /One(1) Relay Out

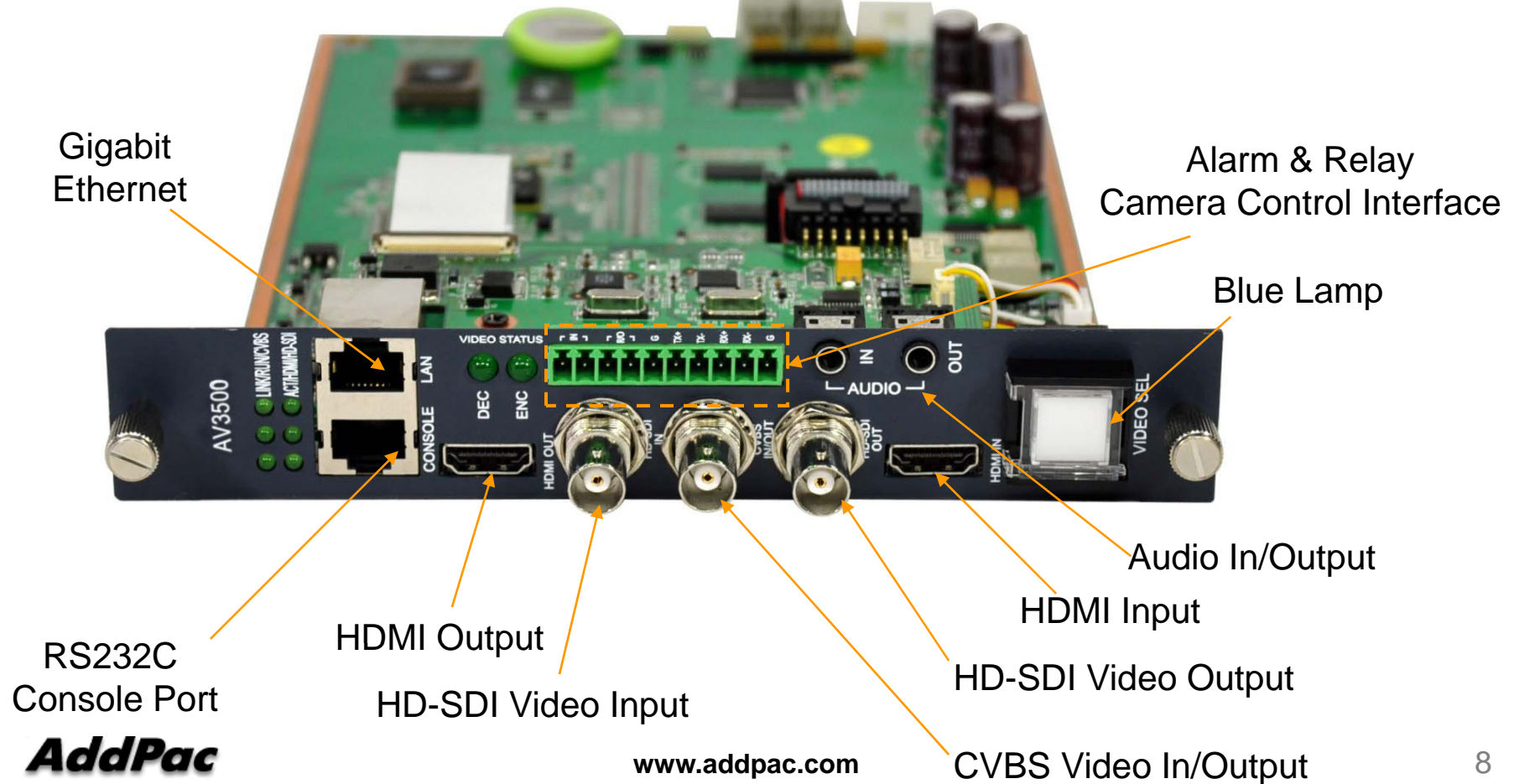
Hardware Specification

AV3500 Full HD Video Codec Module

RISC
CPU

High-End
VP

AV3500 HD Video Encoder/Decoder Module(H.264)



AV3500 Technical Specification

AV3500 Full HD Video Codec Module

RISC
CPU

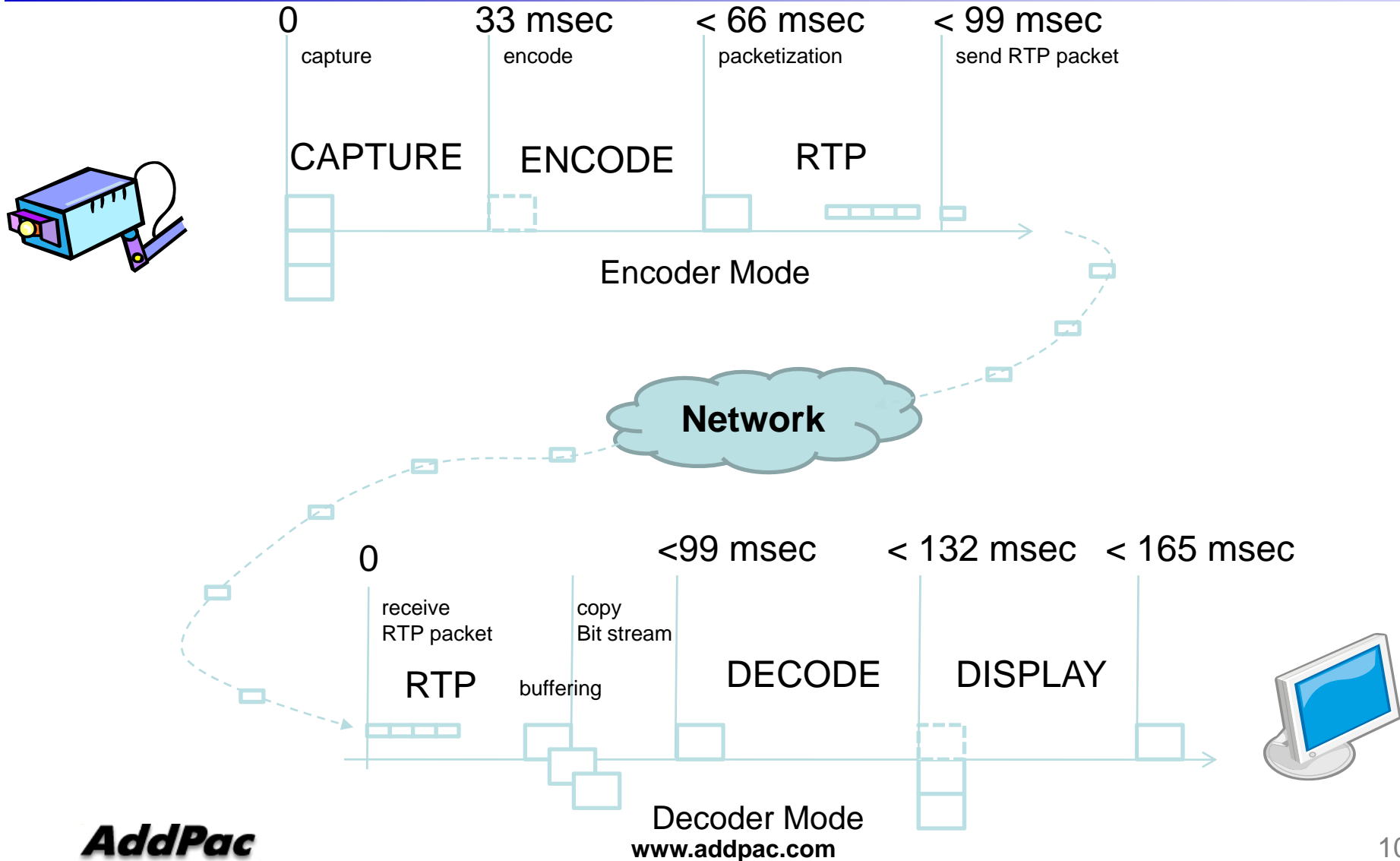
High-End
VP

AV3500 Specification

| | | |
|-------------------|--------|--|
| Video | Input | HD-SDI, HDMI, Analog CVS |
| | Output | HD-SDI, HDMI, Analog CVS |
| | Format | 1080i, 720P, D1(NSTC, PAL) |
| | Coding | H.264 (HP/MP/BP) |
| Audio | Input | 4 x AES pair in HD-SDI(AES_EBU), 1 x Analog Stereo Pair |
| | Output | 4 x AES pair in HD-SDI(AES_EBU), 1 x Analog Stereo Pair |
| | Coding | Dolby Pass-Thru(Relay), G.711, G.726, etc |
| Network Interface | | 1 x 10/100/1000Mbps Gigabit Ethernet, 1 x RS232 Interface for Console |
| Protocol | | RTSP (TCP, UDP), RTP |

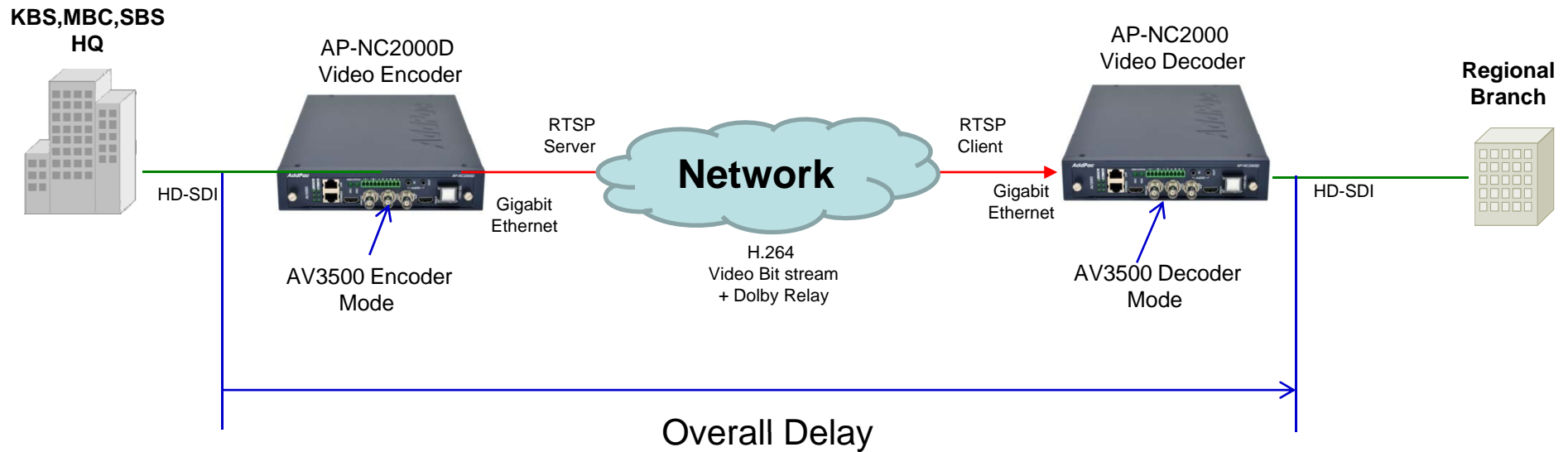
AV3500 IP Video Codec Latency

AV3500 Full HD Video Codec Module



AV3500 IP Video Codec Latency

AV3500 Full HD Video Codec Module







Overall Delay =< 165msec + Network Delay + RTP Rx Buffering Delay



Full HD Video Transmission Codec Module Hardware Platform

Hardware Platform for AV3500

AV3500 Full HD Video Codec Module

| | AP-NC2000 | AP-NC3000 | AP-NC3500 | AP-NC5000 |
|--------------|---|--|---|---|
| Model |  |  |  |  |
| Module Slot | 1 Module Slot | 2 Module Slot | 4 Module Slots | 10 Module Slots |
| Power Supply | Internal Power Module(AC) | Internal Power Module (AC) | Internal Power Module (AC) | Internal Power Module (AC) |
| Power Type | Built-In | Built-In | Built-In | Module Type |

Hardware Platform for AV3500 (Example)

AV3500 Full HD Video Codec Module

AP-NC2000 Front View



AV3500 Full HD Video Module



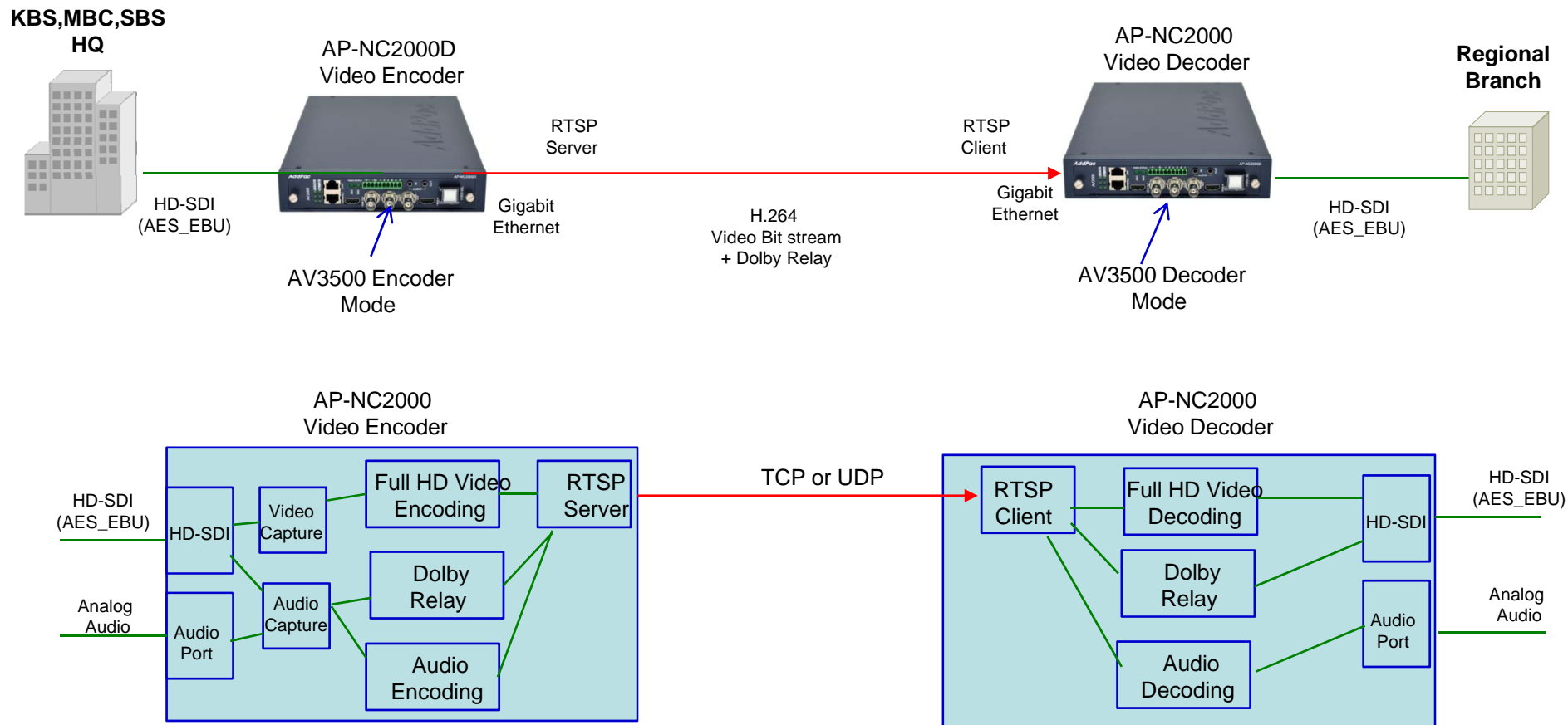
AC Power Input

Power On/Off Switch



Full HD Video Transmission Protocol

RTSP Service Network Diagram



RTSP Service Features

- AV3500 Video Encoder Mode
 - RTSP Server Mode
 - Multi-Channel RTSP Server Mode
 - RTSP, TCP Protocol Support for Error Robust Service
- AV3500 Video Decoder Mode
 - RTSP Client Mode
 - RTSP/TCP or RTSP/UDP Mode Support



Thank you!

AddPac Technology Co., Ltd.
Sales and Marketing

Phone +82.2.568.3848 (KOREA)

FAX +82.2.568.3847 (KOREA)

E-mail sales@addpac.com