

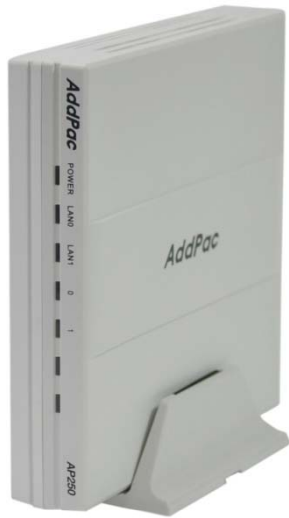


# AP250

## 2-Port VoIP Gateway

High Performance VoIP Gateway Solution

DNS Proxy Features



**AddPac**

**AddPac Technology**

Sales and Marketing

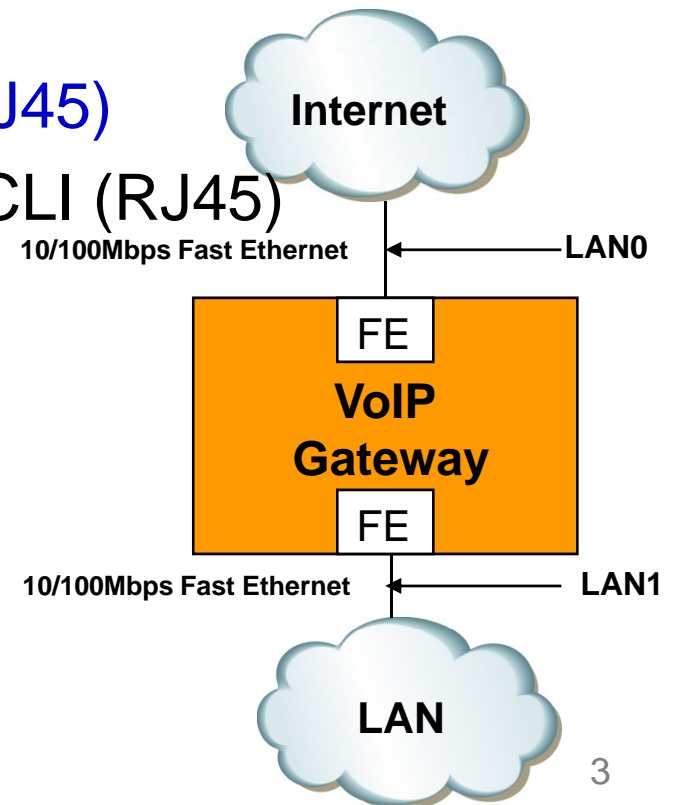
[www.addpac.com](http://www.addpac.com)

# Contents

- AP250 H/W Specification
- What is DNSProxy?
- Network Service Diagram
- APOS Commands for DNS Proxy function

# AP250 VoIP Gateway H/W Spec.

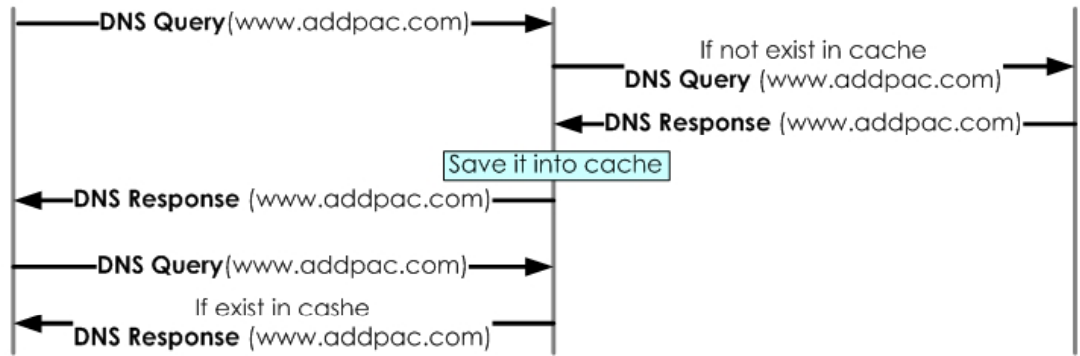
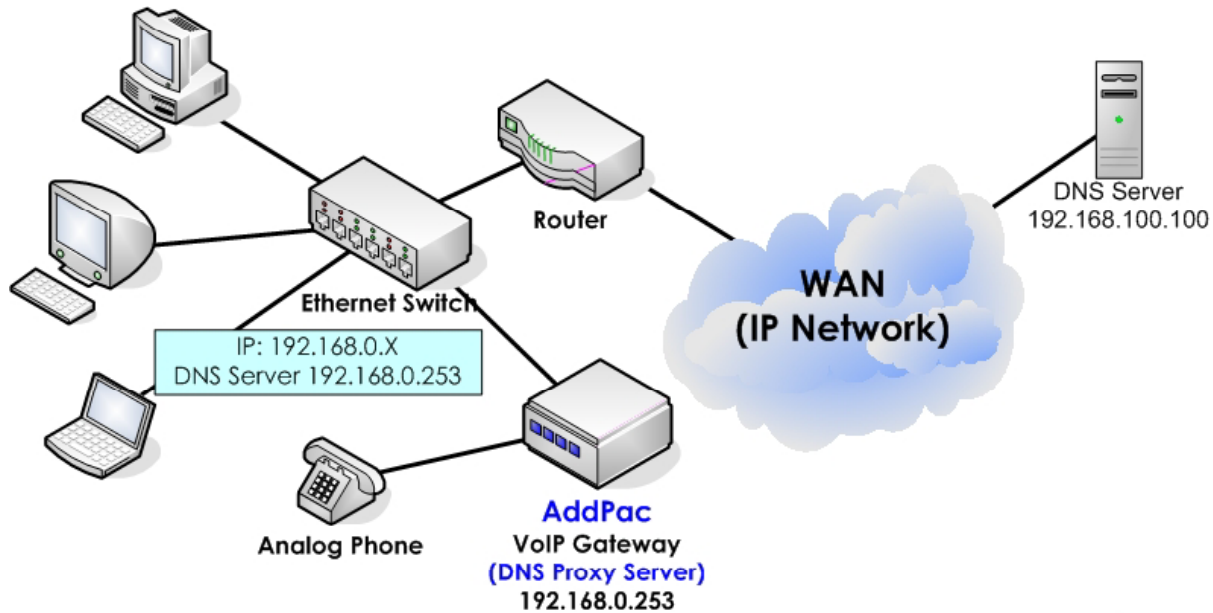
- RISC Microprocessor Computing Power
- 2-Port Analog VoIP Gateway
  - AP250B : Two(2) FXS Port
  - AP250D : Two(2) FXO Port
- Network Interface
  - Two(2) 10/100Mbps Fast Ethernet (RJ45)
- One(1) RS232C Console Interface for CLI (RJ45)
- Run LED, LAN LED, Port LEDs
- External Power Supply



# What is DNSProxy ?

- DNSProxy Server recognize the various local character set from Client, and encode the UTF-8(RACE support) format , and then send to DNS server.
- DNSProxy Server is existed between Local Client (PC) and DNS Server
- Local Client Domain Name Query to DNSProxy Server and If DNS Proxy Server don't have a Enquired Domain Name (Cache missing), DNSProxy Server this Domain Name Query to DNS Server and Relay to Original Local Client.
- DNSProxy listen to Well-Known UDP Port(53) to receive DNS Query from Client.

# Network Service Diagram



# APOS Commands for DNSProxy

## DNSProxy Function Enable

Step	Command	Explanation
1	(config)# <b>service dnsproxy</b>	DNSProxy Function Enable

## DNSProxy Function Disable

Step	Command	Explanation
1	(config)# <b>no service dnsproxy</b>	DNSProxy Function Disable

# VoIP Gateway Series

Thank you!

**AddPac Technology Co., Ltd.**  
Sales and Marketing

Phone +82.2.568.3848 (KOREA)

FAX +82.2.568.3847 (KOREA)

E-mail [sales@addpac.com](mailto:sales@addpac.com)