

# AP-CBS3000™ Cellular Emergency Broadcasting Server

High Performance Cellular Emergency Broadcasting Solution



## Preliminary Product Overview

(Without notice, following described technical spec. can be changed)

**AddPac**

**AddPac Technology**

2012, Sales and Marketing

[www.addpac.com](http://www.addpac.com)

# Contents

- Product Overview
- Hardware Specification
- Cellular Module Specification
- APOS Technology
- VoIP (Voice over IP) service
- Advanced QoS Features
- Network Protocols
- Network Management
- Security Management
- Application Service
- Ordering Information



# Product Overview

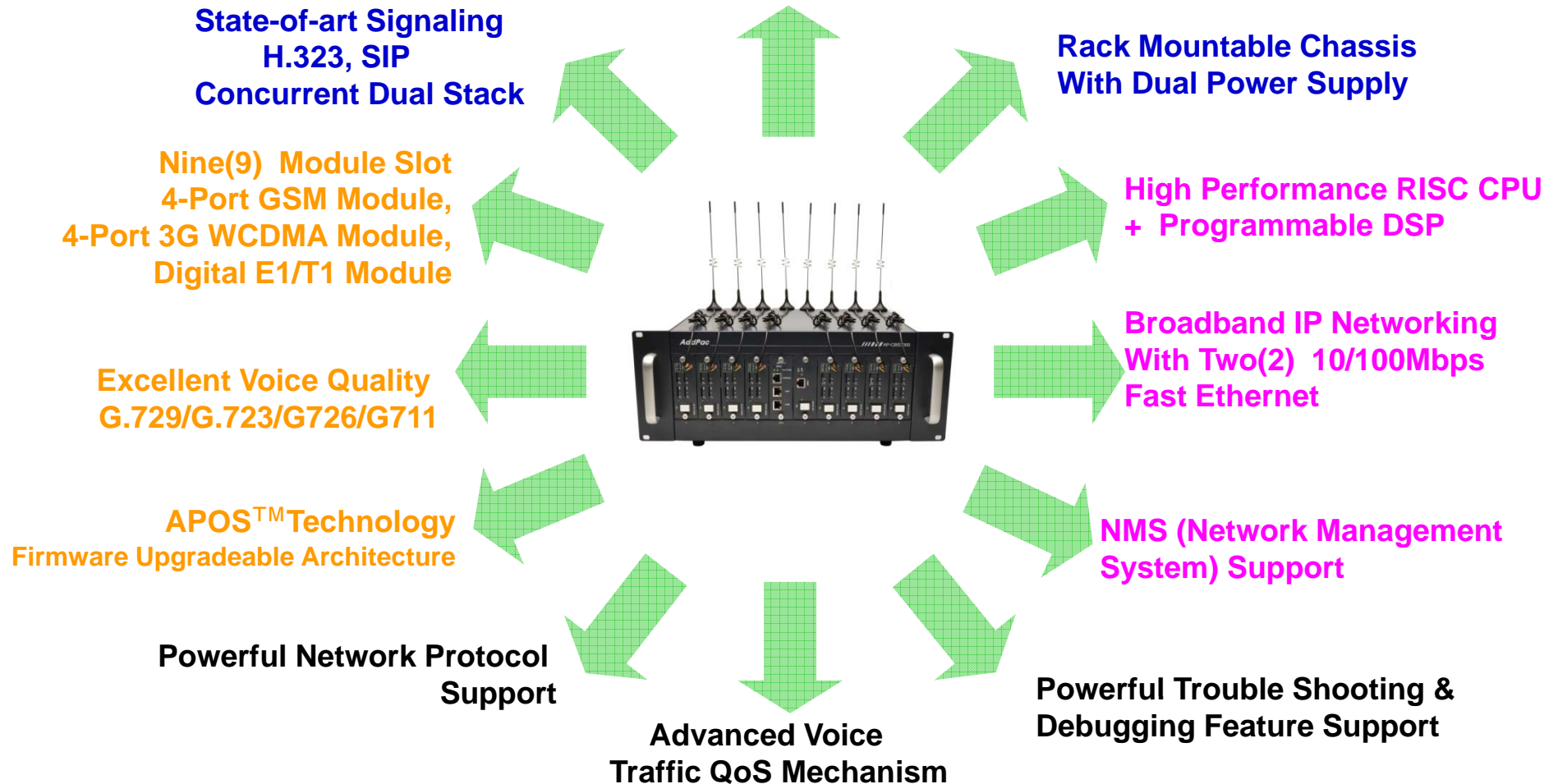
## AP-CBS3000 Cellular Emergency Broadcasting Server

- Cellular Emergency Voice Broadcasting Server
- SMS Broadcasting Server
- Remote Voice Broadcasting Service Support via Cellular Terminal (IVR based Authentication, etc)
- Cellular Broadcasting Management System with Dedicate IP Terminal
- Voice Broadcasting Mailing Service
- Call by Call Pseudo Real-time Voice Broadcasting Service
- Nine(9) Module Slots for GSM/WCDMA, Digital E1 Interface (Up to 36-Port GSM, 36-Port 3G WCDMA, CPU Module)
- H.323/SIP Dual Concurrent Stack Embedded
- High Performance RISC & Programmable DSP Architecture
- G.711/G.726/G.723/G.729, T.38 Fax , VAD, etc
- Powerful Network Protocols (PPPoE, DHCP, Static Routing, etc)
- 10/100Mbps Gigabit Ethernet Interface
- One(1) RS-232C Port for Command Line Interface
- Firmware Upgradeable Architecture
- NMS(Network Management System) Support
- Advanced Voice QoS Mechanism
- Rack Mountable Chassis with Internal Power Supply
- Dual Redundancy Power Supply Architecture

# Product Highlights

## AP-CBS3000 Cellular Emergency Broadcasting Server

### Powerful Multi-Port Cellular Broadcasting Server (up to 36 Channel GSM/3G WDMA Interface)

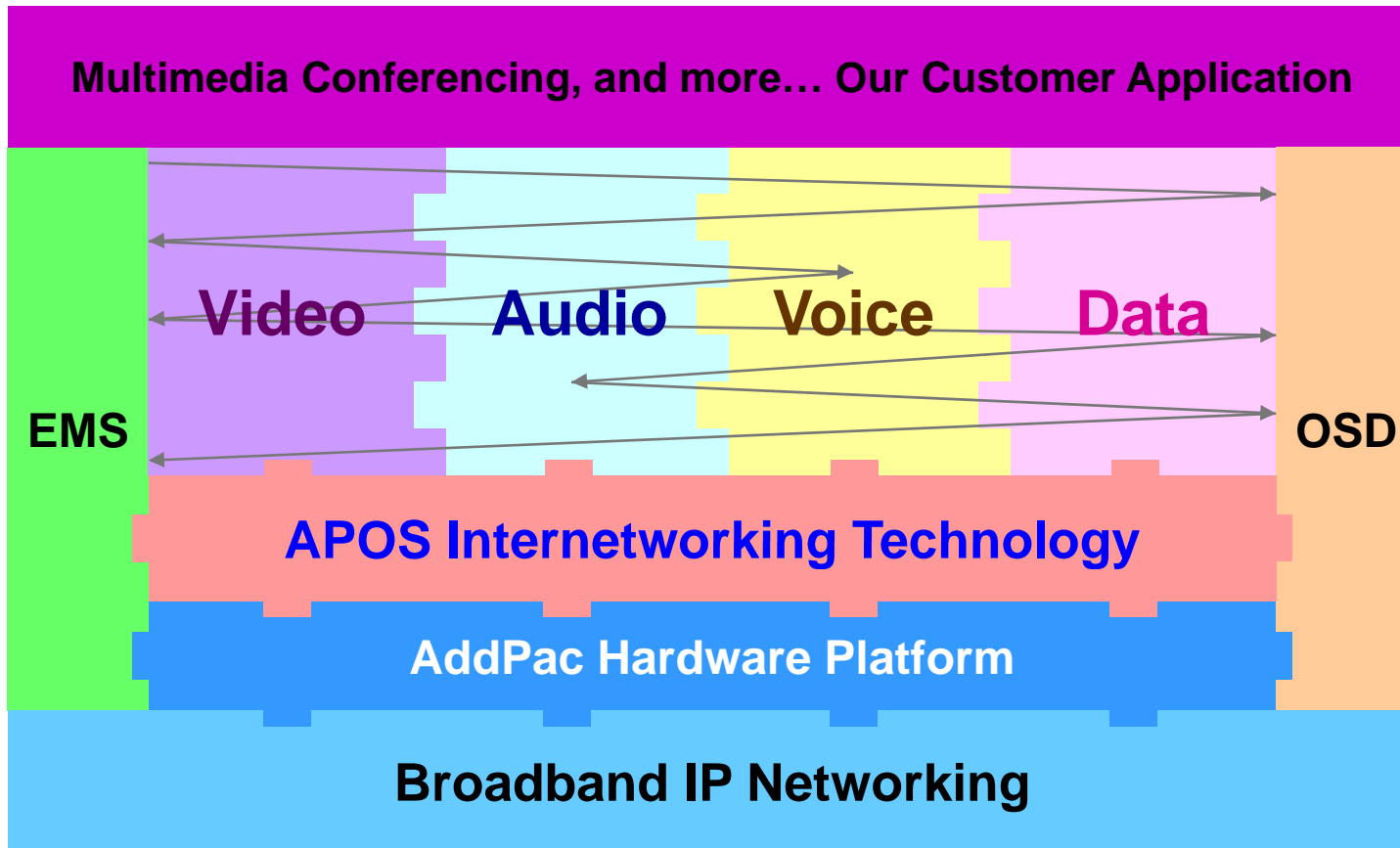


**AddPac**

[www.addpac.com](http://www.addpac.com)

# APOS Technology

AP-CBS3000 Cellular Emergency Broadcasting Server



- APOS : AddPac Internetworking Operating System
- OSD : On- Screen Display
- EMS : Element Management System

# Hardware Specification

## AP-CBS3000 Cellular Emergency Broadcasting Server

RISC  
CPU

High-end  
DSP

- RISC Microprocessor Computing Power
- Nine(9) Module Slot for GSM/CDMA, Digital VoIP Interface
- 4-Port GSM Module(AP-N1-GSM4)
  - 4-Port SIM Card Slot
  - One(1) GSM Antenna Interface
- 4-Port 3G WCDMA Module(AP-N1-3G4)
  - 4-Port SIM Card Slot, One(1) 3G WCDMA Antenna Interface
- VoIP Interface Module (Hot-Swap)
  - 8-Port FXS, FXO Module (AP-N1-FXS8, AP-N1-FXO8)
  - Digital E1/T1 Module (AP-N1-E1)
- Network Interface
  - Two(2) 10/100/1000Mbps Gigabit Ethernet (RJ45)
- RS232C Console Interface for CLI
- Run LED, LAN LED, Port LEDs
- Module Type Power Supply, Dual Power Supply

# Hardware Specification

AP-CBS3000 Cellular Emergency Broadcasting Server

RISC  
CPU

High-end  
DSP

AP-CBS3000 Cellular Emergency Broadcasting Server	Basic Specifications
Voice Interface	Ten(10) Module Slots including CPU Module
	AP-N1-GSM4, AP-N1-CDMA4, AP-N1-E1
Ethernet Interface	2-Ports 10/100Mbps Ethernet Interface(RJ-45)
Flash Memory	512Mbyte NAND Flash Memory
Base Memory	128Mbyte High-speed DDR2
Power Requirement (Dual Power Supply)	Power Supply / VAC 110~220V, 50/60Hz, 5V 30A
Operating Temperature	0°C ~ 45°C (32 °F ~ 122°F)
Storage Temperature	-40°C ~ 85°C (-40°C ~ 185°F)
Relative Humidity	5% ~ 95% (Non-condensing)
Dimensions	H x W x D(227mm X 440mm X 374mm )
Weight(kg)	12.9Kg

# Hardware Specification

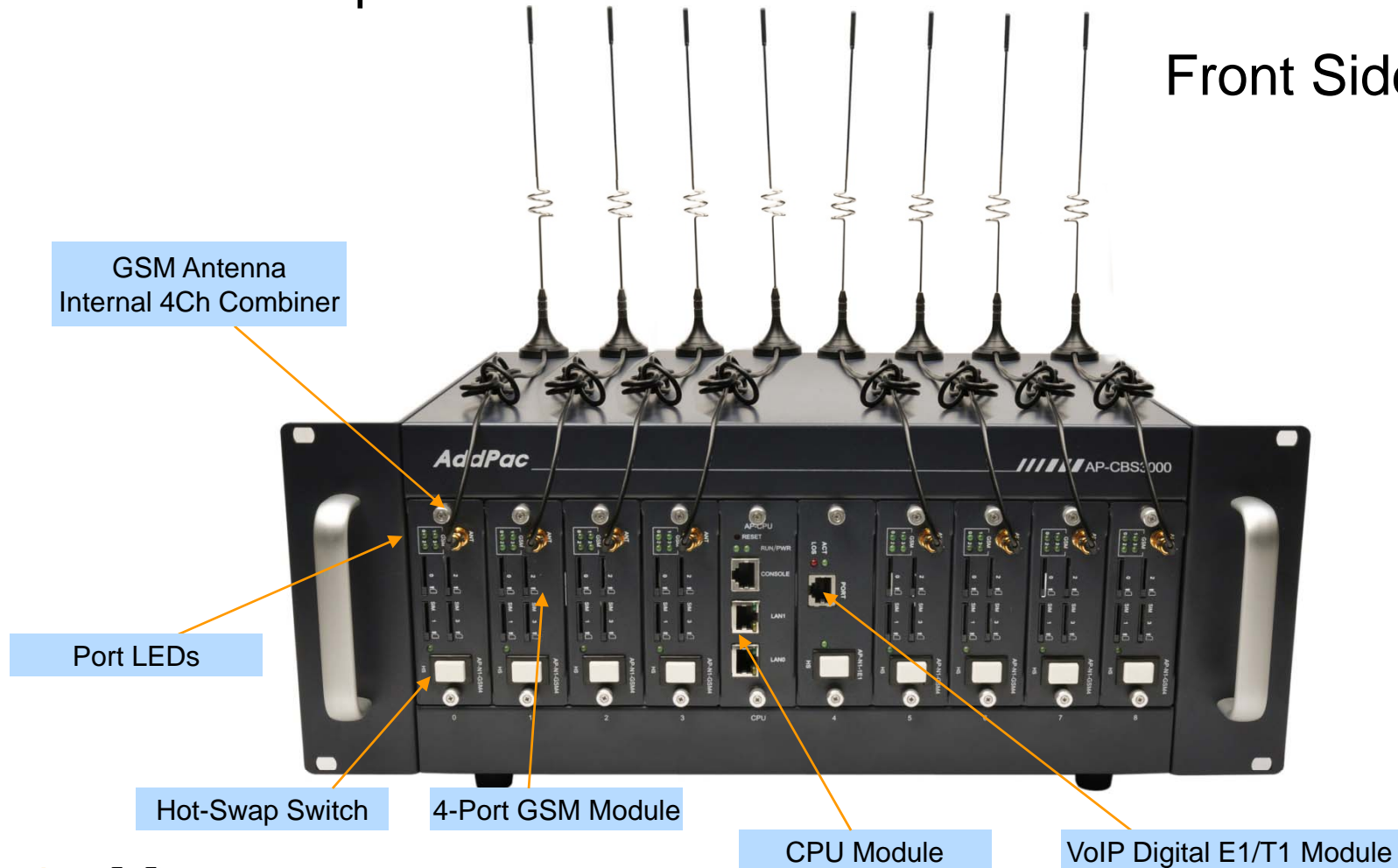
AP-CBS3000 Cellular Emergency Broadcasting Server

RISC  
CPU

High-end  
DSP

## Hardware Specification

Front Side View



**AddPac**

[www.addpac.com](http://www.addpac.com)



# Hardware Specification

AP-CBS3000 Cellular Emergency Broadcasting Server

RISC  
CPU

High-end  
DSP

## Hardware Specification

Back Side View



# Hardware Specification

AP-CBS3000 Cellular Emergency Broadcasting Server

RISC  
CPU

High-end  
DSP

## AP-CBS3000 Voice Modules

**AP-N1-GSM4** 4-Port GSM Module



**AP-N1-3G4** 4-Port 3G WCDMA Module



**AP-N1-E1** 1-Port Digital E1/T1 Module



# Hardware Specification

AP-CBS3000 Cellular Emergency Broadcasting Server

RISC  
CPU

High-end  
DSP

SIM Card Slot



AP-N1-GSM4  
(4-Port GSM Module)

GSM Antenna  
Internal 4Ch Combiner

Hot-Swap Switch

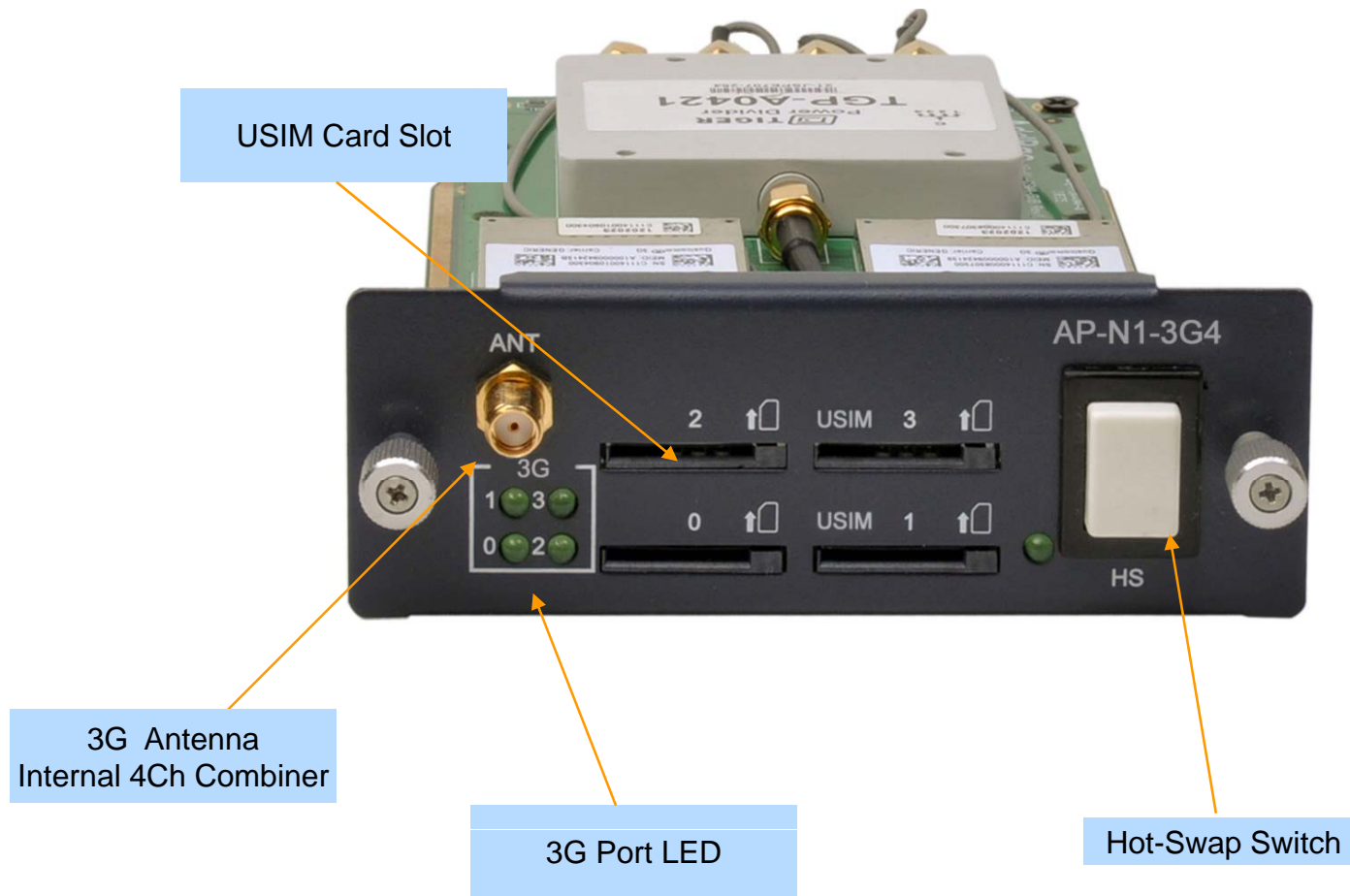
Port LEDs

# Hardware Specification

AP-CBS3000 Cellular Emergency Broadcasting Server

RISC  
CPU

High-end  
DSP



# Hardware Specification

AP-CBS3000 Cellular Emergency Broadcasting Server

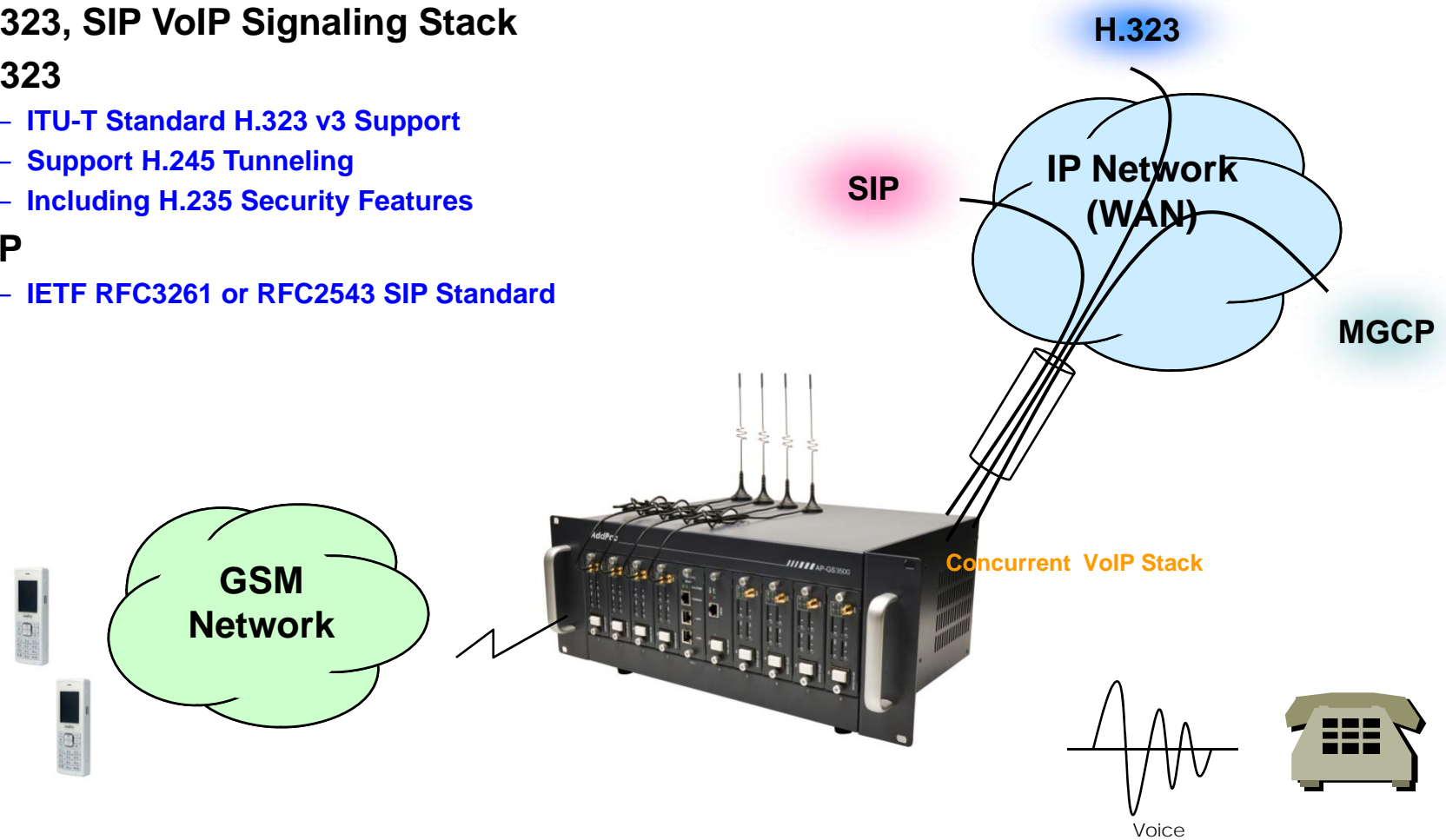
## Power Supply Module



# VoIP (Voice over IP) Service

AP-CBS3000 Cellular Emergency Broadcasting Server

- H.323, SIP VoIP Signaling Stack
- H.323
  - ITU-T Standard H.323 v3 Support
  - Support H.245 Tunneling
  - Including H.235 Security Features
- SIP
  - IETF RFC3261 or RFC2543 SIP Standard



# VoIP (Voice over IP) Service

## AP-CBS3000 Cellular Emergency Broadcasting Server

- **H.323**

- Fast connect, normal connect support
- H.245 tunneling support
- Q.931 response message setting for inbound VoIP calls
- H.245 logical channel open timing selection function
- Start H.245 procedure support
- DTMF / Hook flash relay with H.245 alphanumeric / signal
- Secondary gatekeeper support
- Gatekeeper assignment according to the domain name
- Gatekeeper discovery with multicast
- Lightweight RRQ support
- Signaling TCP port assignment
- Resource threshold setting with RAI
- H.235 clear-token, crypto-token support
- canMapAlias support
- Technical prefix (supported prefix) support
- Public IP assignment in NAT environment

- **SIP**

- Gateway-based / Endpoint-based registration support
- Secondary proxy-server assignment function
- SIP signaling port change function
- SIP proxy server assignment according to the domain name
- T.38 real-time fax relay support
- DTMF relay support with RFC2833 / OPTION message
- Re-INVITE support

# VoIP (Voice over IP) Service

## AP-CBS3000 Cellular Emergency Broadcasting Server

- **Voice Codec**

- G.711 A-Law, G.711 U-Law
- G.726 r16, G.726 r32
- G.729A
- G.723.1 r63, G.723.1 r53
- VAD (Voice Activity Detection) function support
- DTMF relay support (H.323, SIP, MGCP common) based on RFC2833

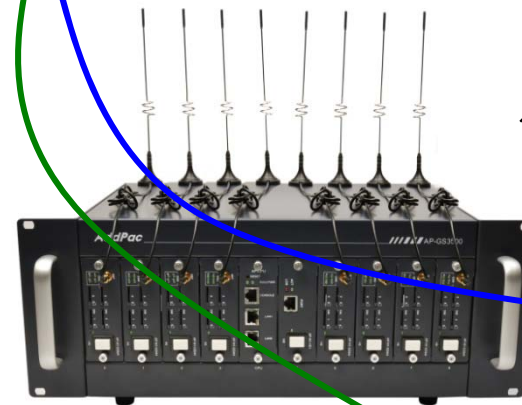
- **RTP**

- Redundant RTP packet transmission in case of severe packet loss
- Dynamic jitter buffer management and RTP packet jitter and loss compensation with heuristic & DSP error concealment
- Static jitter buffer setting support
- Voice frame per RTP packet number control for each codec
- In-band ring-back tone support
- Virtual ring-back tone support
- Tone parameter change support

- **FAX**

- Fax relay mode supporting T.38, inband-T.38, bypass mode
- Lost packet compensation with redundant setting in case of T.38 fax relay
- Fax relay mode, rate setting for remote end

VoIP



GSM Network



# VoIP (Voice over IP) Service

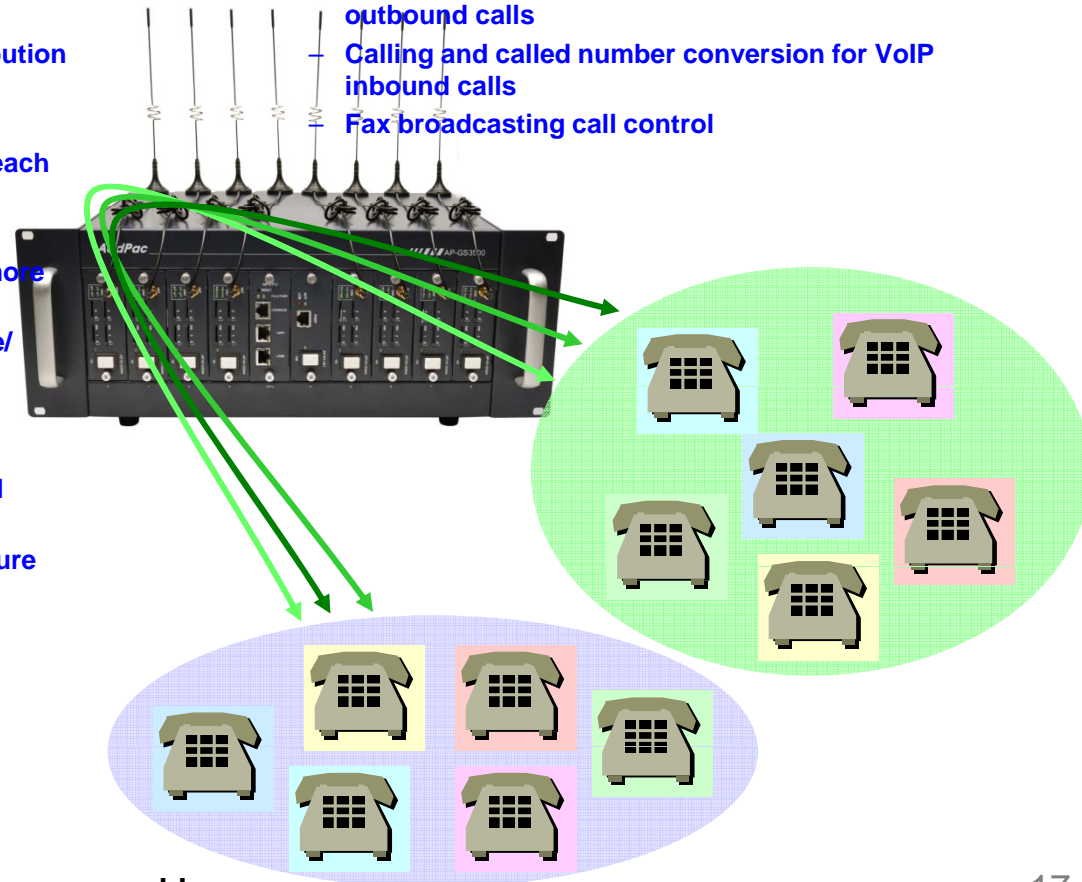
## AP-CBS3000 Cellular Emergency Broadcasting Server

### • VoIP Call Controls

- Hot line connection function with PLAR (Private Line Auto Ring Down)
- Leased line emulation function
- Connection monitoring function
- Fault tolerant with Redundancy and Call Distribution among Gateways for load balancing
- Call attempt with IP address
- H.323, SIP, MGCP inbound call connection for each voice port
- Multiple E.164 setting for one voice port
- One E.164 or digit pattern can be assigned to more than one voice port
- Hunting with Longest match/ priority/ sequence/ random
- One stage call setup by Digit forwarding
- Call barring with specific digit patterns
- Calling and called number conversion for PSTN outbound calls
- PSTN rerouting in case of VoIP call attempt failure

### • VoIP Call Controls (cont.)

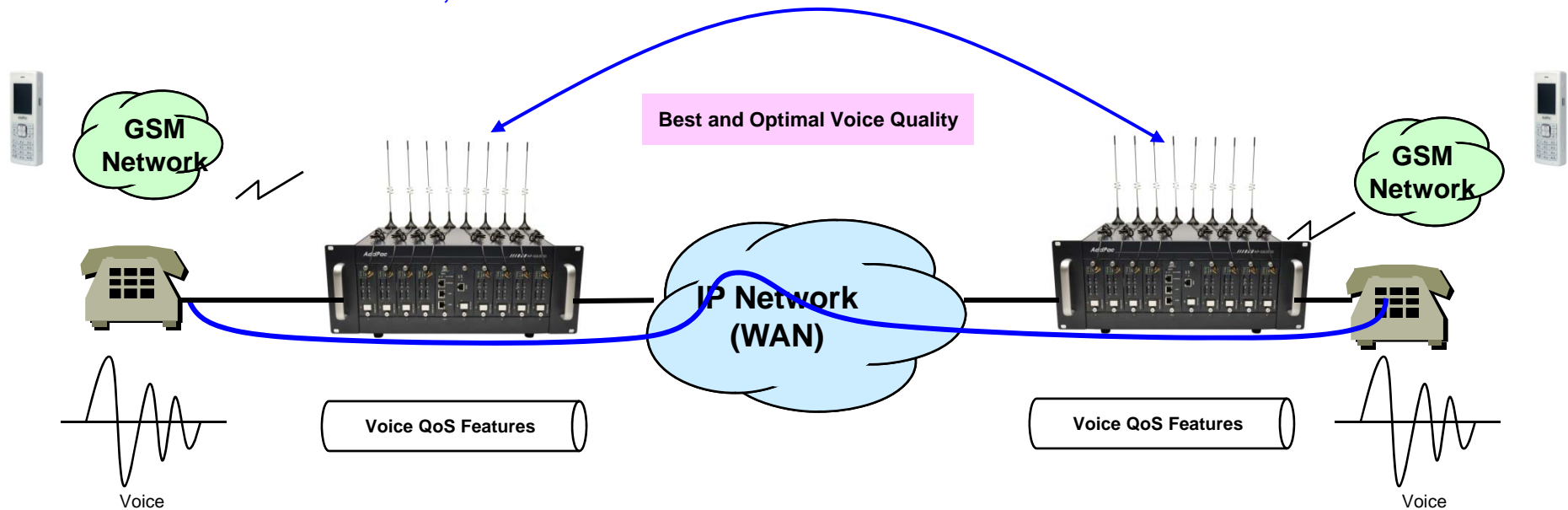
- Call transfer for internal calls
- Call pickup for internal calls
- Calling and called number conversion for VoIP outbound calls
- Calling and called number conversion for VoIP inbound calls
- Fax broadcasting call control



# Advanced QoS Features

## AP-CBS3000 Cellular Emergency Broadcasting Server

- Enhances **Transmit** Voice QoS Features
  - Voice Traffic Priority Queuing
  - QoS Service Profiling
  - Providing Virtual Network Transmit Algorithm
  - Real-time Voice Traffic QoS Support
  - RTP Packet Transmit Interval Control
  - Supporting RTP Packet Redundancy Scheme
  - IP Header Control such as ToS, Diffserv
- Enhances **Receive** Voice QoS Features
  - Dynamic Jitter Buffer Management
  - Error Concealment
  - Support T.38 FAX Data Error Recovery Scheme



# Network Protocols

## AP-CBS3000 Cellular Emergency Broadcasting Server

### Basic Network Protocols

- ARP, IPv4, TCP, UDP, ICMP, SCTP, IGMP, MLD

### Routing Protocol

- IPv4 : Static

### Service Protocol

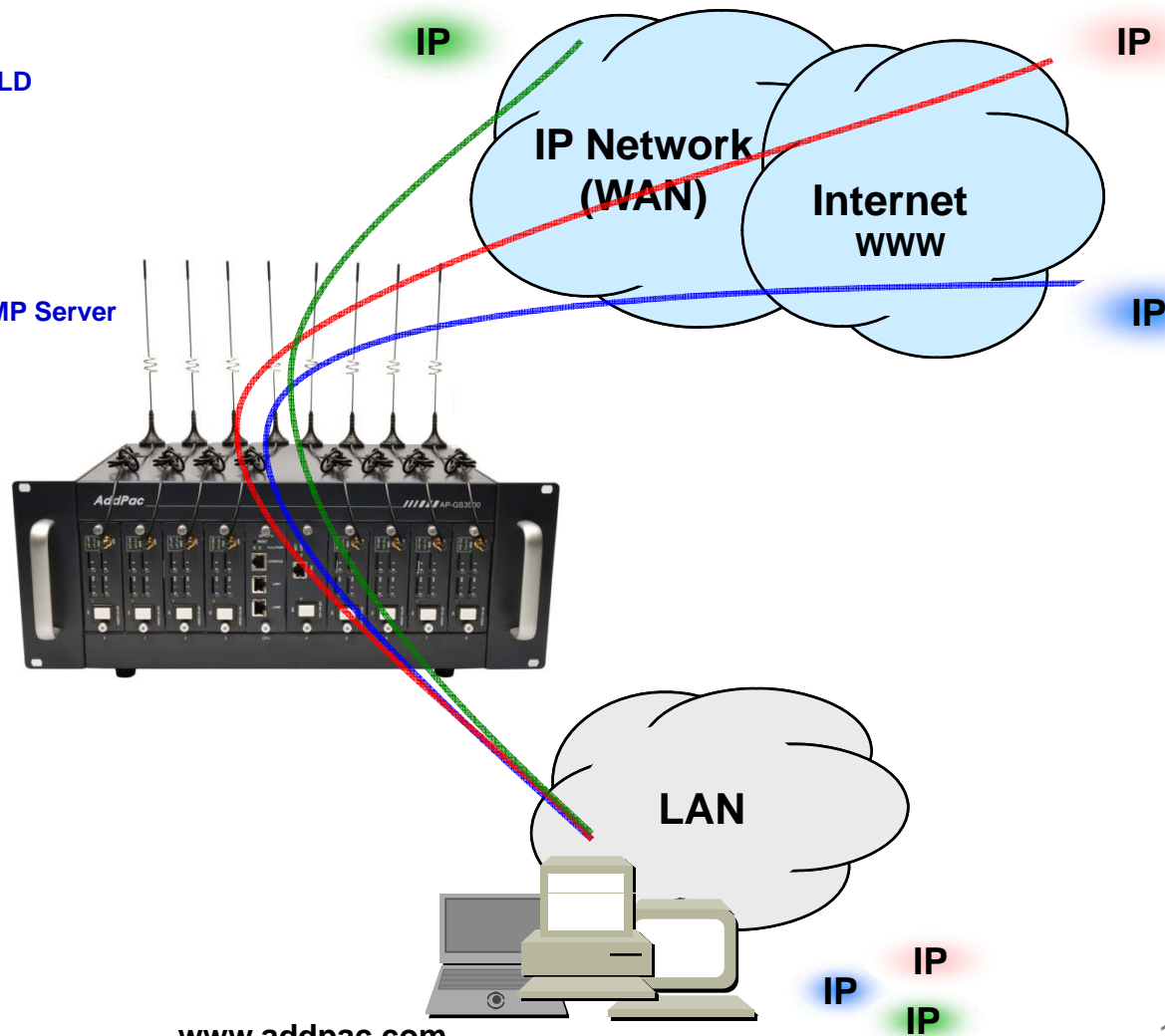
- FTP, Telnet, TFTP, DHCP Server/Relay, SNMP Server
- CDP (Cisco Discovery Protocol)
- DNS Resolver , DDNS(nsupdate)
- Bridge
- Syslog

### IPv4 Address Configuration

- Fixed (Static)
- DHCP
- PPPoE

### Miscellaneous

- Cisco Style CLI
- Standard & Extended IPv4 Access List
- Multi-level User Account Management
- IP accounting
- STUN Client



# Network Management

## AP-CBS3000 Cellular Emergency Broadcasting Server

- **SNMP**

- Standard Simple Network Management Protocol( SNMP) Agent support
- MIB v1 and v2 Support

- **Web-based Management**

- Smart Easy Setup
- Standard Voice Interface
- Standard PSTN Back-up Interface

- **Watch-dog Function**

- Hardware, Software watch-dog services

- **Remote Management**

- Telnet
- Rlogin

- **Auto Upgrade Service**

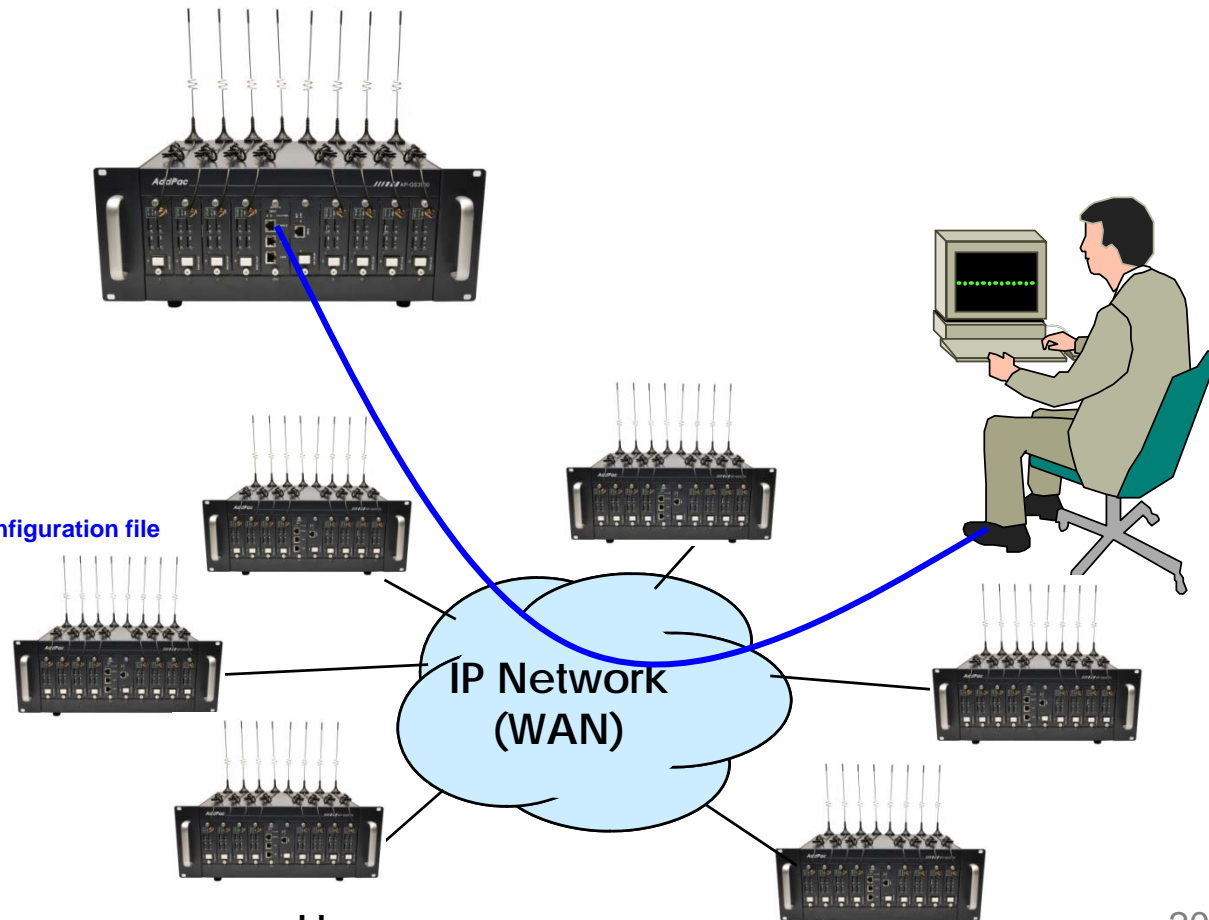
- HTTP server based APOS image and configuration file auto-upgrade support

- **Batch Job Function**

- Text based script downloading

- **Interoperable with AP-VPMS Service**

- AddPac VoIP Plug & Play Management System (AP-VPMS)

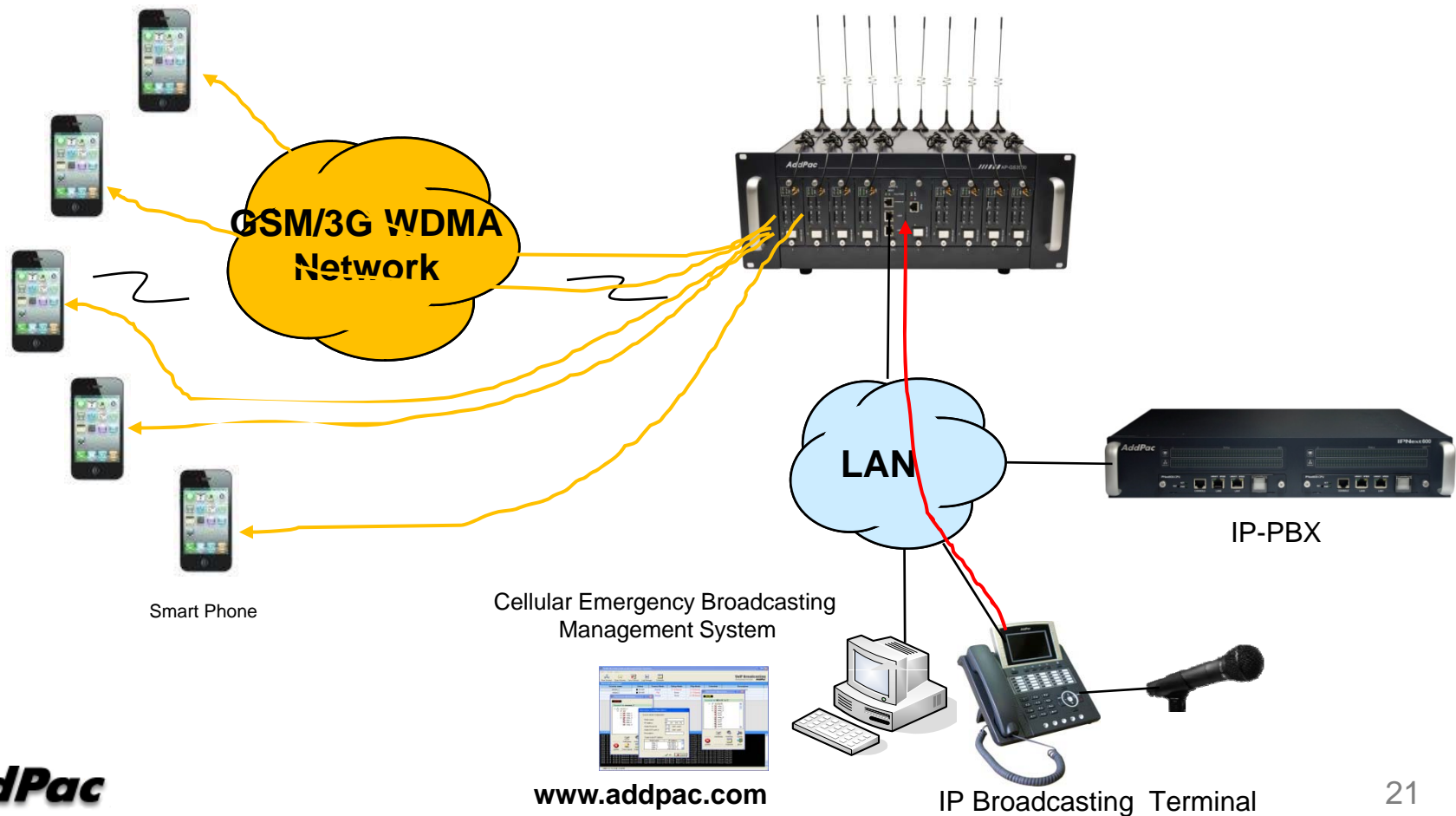


# Standard Application

## AP-CBS3000 Cellular Emergency Broadcasting Server

### Network Diagram

AP-CBS3000 Cellular Emergency Broadcasting Server



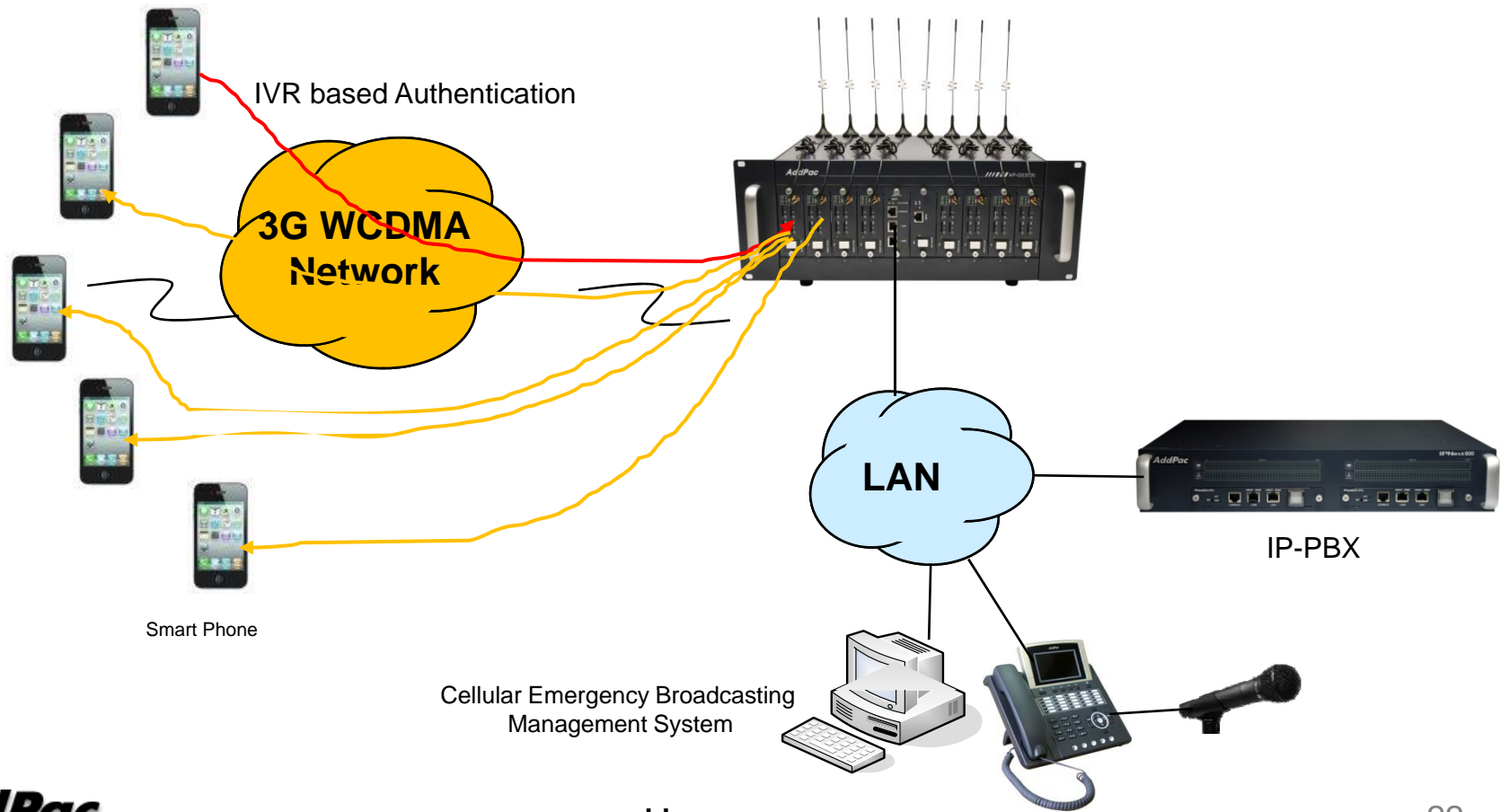
# Standard Application

## AP-CBS3000 Cellular Emergency Broadcasting Server

### Remote Broadcasting Service

Remote Broadcasting Terminal(including SMS)

AP-CBS3000 Cellular Emergency Broadcasting Server



# Ordering Information

- **AP-CBS3000 Cellular Emergency Broadcasting Server**
  - AP-CBS3000 Main Body
  - Nine(9) Module Slots for GSM, CDMA, VoIP Module
  - RISC Microprocessor with High-end Programmable DSP Architecture
  - 2-port 10/100Mbps Fast Ethernet(RJ45)
  - 1-Port RS232C Console Interface(RJ45)
  - Option Module : AP-N1-GSM4, AP-N1-CDMA4,AP-N1-E1/T1, etc
  - Including Network Cable, Antenna, etc.
- **Built-in APOS Internetworking Software for AP-CBS3000**
- **Including 1 Year Hardware Warranty**
- **Product Documents**
  - Install and Operation Guide (PDF)
- **Pricing**
  - AddPac Technology Regional Sales Manager
  - Authorized Sales and Marketing Representatives
  - Please Contact [www.addpac.com](http://www.addpac.com)



# Thank you!

**AddPac Technology Co., Ltd.**  
Sales and Marketing

Phone +82.2.568.3848 (KOREA)

FAX +82.2.568.3847 (KOREA)

E-mail [sales@addpac.com](mailto:sales@addpac.com)