

# Multi-Port GSM Gateway Series

## DTMF Relay Service Overview



***AddPac***

**AddPac Technology**

2011, Sales and Marketing

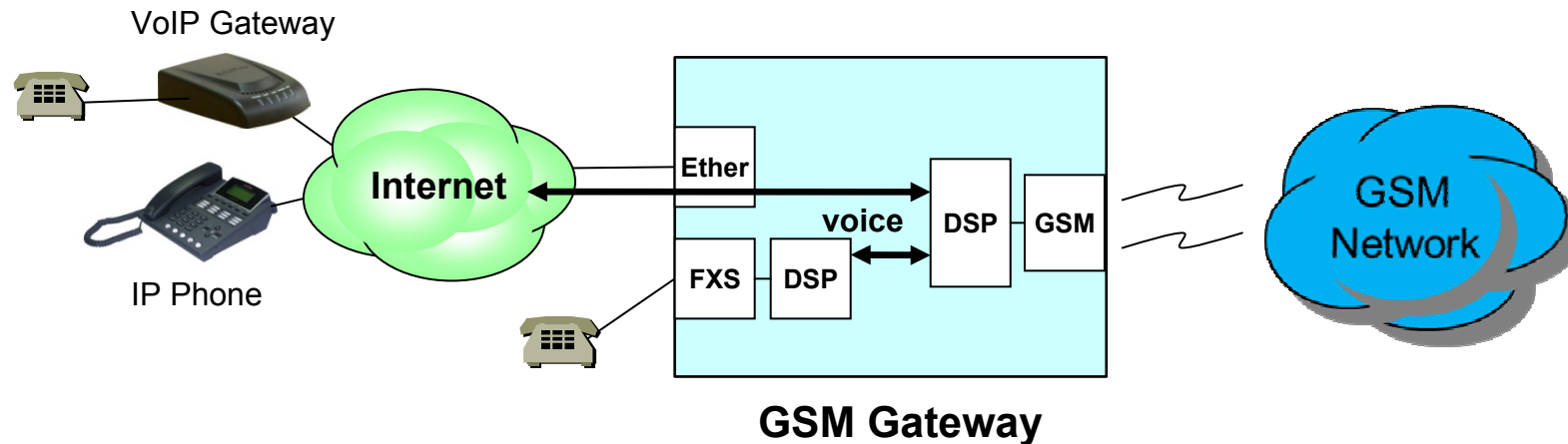
[www.addpac.com](http://www.addpac.com)





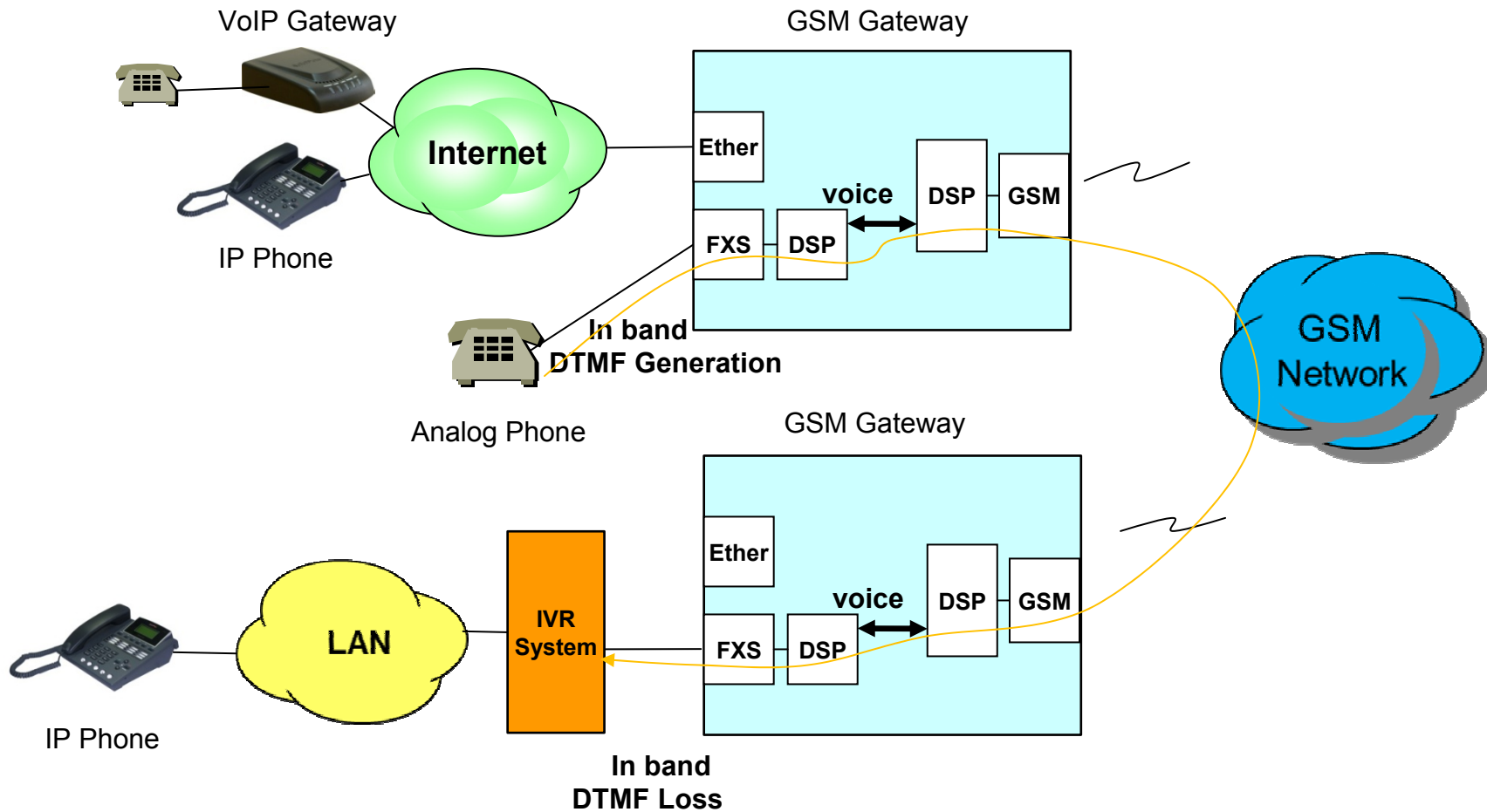
# DTMF Relay Service

# DTMF Relay



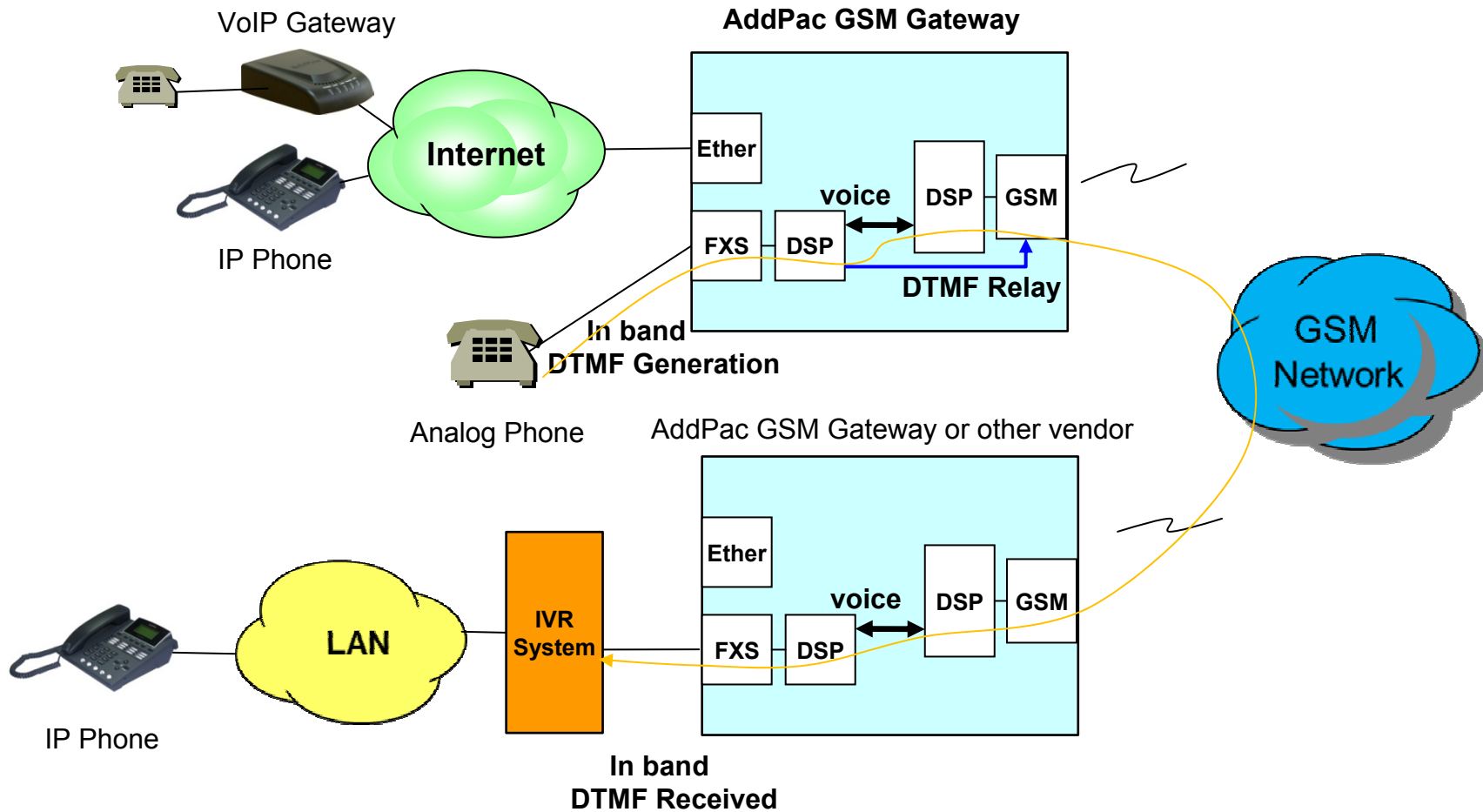
- Clear relay of DTMF tones (0 ... 9, #, \*, A, B, C, D)
- DTMF detect on DSP and relay it to GSM
- Relay received SIP-Info or RFC-2833 DTMF to GSM

# Network Diagram(FXS to FXS) DTMF Tone Loss



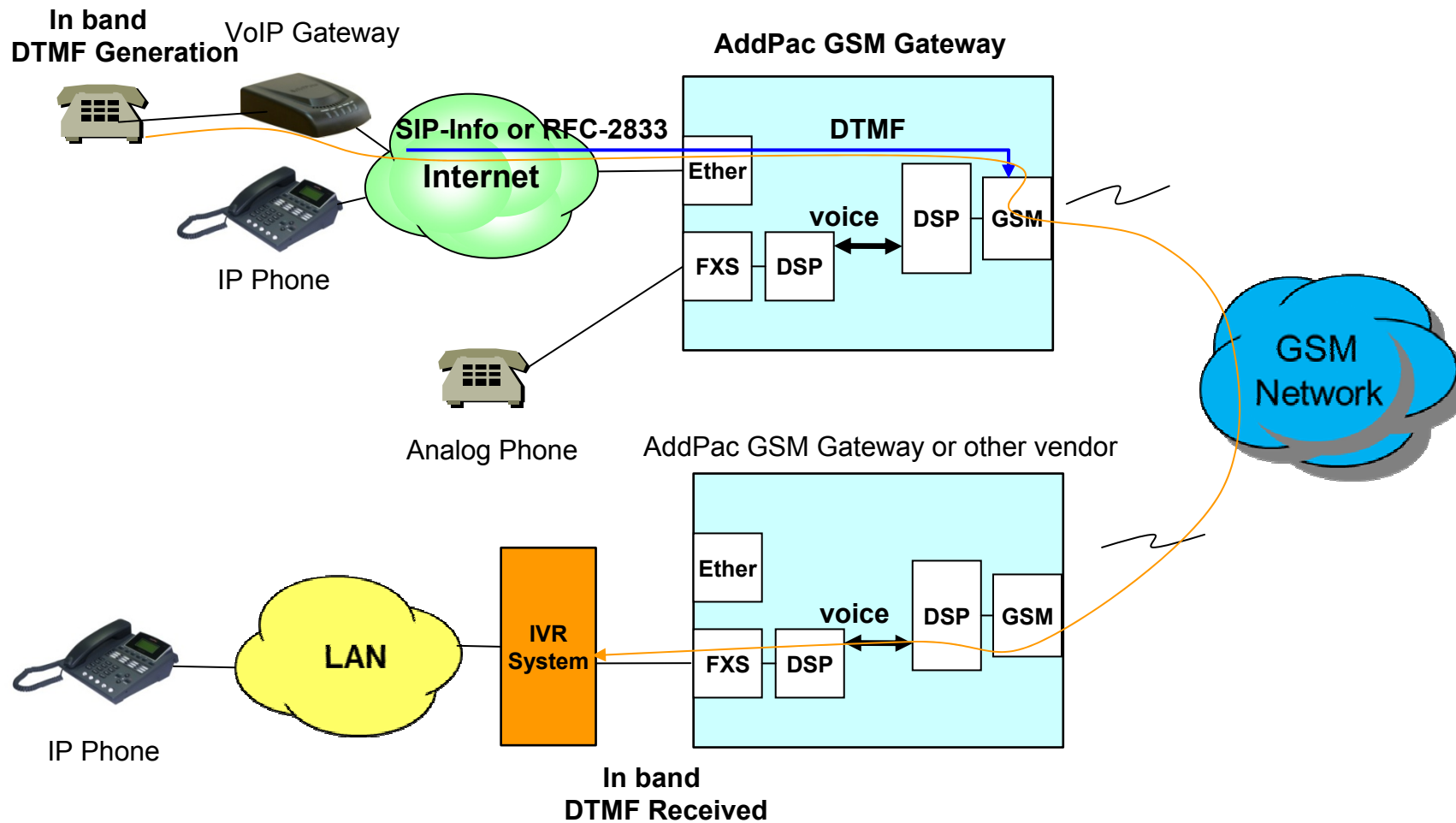
# Network Diagram (FXS to FXS)

## DTMF Relay Scheme to Solve DTMF Tone Loss Problem



# Network Diagram (IP to FXS)

## DTMF Relay Scheme to Solve DTMF Tone Loss Problem



# GSM Gateway Series

# Thank you!

**AddPac Technology Co., Ltd.**  
Sales and Marketing

Phone +82.2.568.3848 (KOREA)

FAX +82.2.568.3847 (KOREA)

E-mail [sales@addpac.com](mailto:sales@addpac.com)