

Multi-Port GSM Gateway Series

Web based QoS Control



AddPac

AddPac Technology

2010, Sales and Marketing

www.addpac.com

Contents

- Smart Web for QoS Control
- Packet Transmit Diagram (before, after QoS mode)



QoS Control

The screenshot displays the 'Smart Web Manager' interface for 'WAN & Tunneling Setup'. The left sidebar shows a navigation menu with 'WAN Setup' highlighted. The main content area is divided into sections for 'WAN Setup', 'Static IP', 'PPPoE(ADSL)', 'DHCP', 'VLAN', and 'QoS Control'. The 'QoS Control' section is highlighted with a red dashed border and contains the following fields: 'Enable QoS (optional)' (checkbox), 'Bandwidth' (input field), 'PPS' (input field), and their respective units and default ranges. A yellow callout box points to the 'QoS Control' section with the text: 'QoS Control - Supported by Bandwidth and PPS(Packets Per Second) conditions.' An 'Apply' button is located at the bottom left of the page.

Smart Web Manager
www.addpac.com

System

- Language
- WAN Setup**
- LAN Setup
- NAT
- NTP
- System Time
- File Browser

Basic

Advanced

Miscellaneous

LCR

SMS

WAN & Tunneling Setup

WAN Setup

Hostname: Router

IP Address: 172.16.9.120 A.B.C.D
Network Mask: 255.255.0.0 A.B.C.D
Default Router: 172.16.1.1 A.B.C.D

Static IP

DNS Server: Primary DNS Server
Secondary DNS Server

User name:
Password:

PPPoE(ADSL)

Authentication: (No Authentication)
PAP (PPP Authentication Protocol)
CHAP (Challenge Handshake Authentication Protocol)

DHCP

VLAN ID: 0
Auto

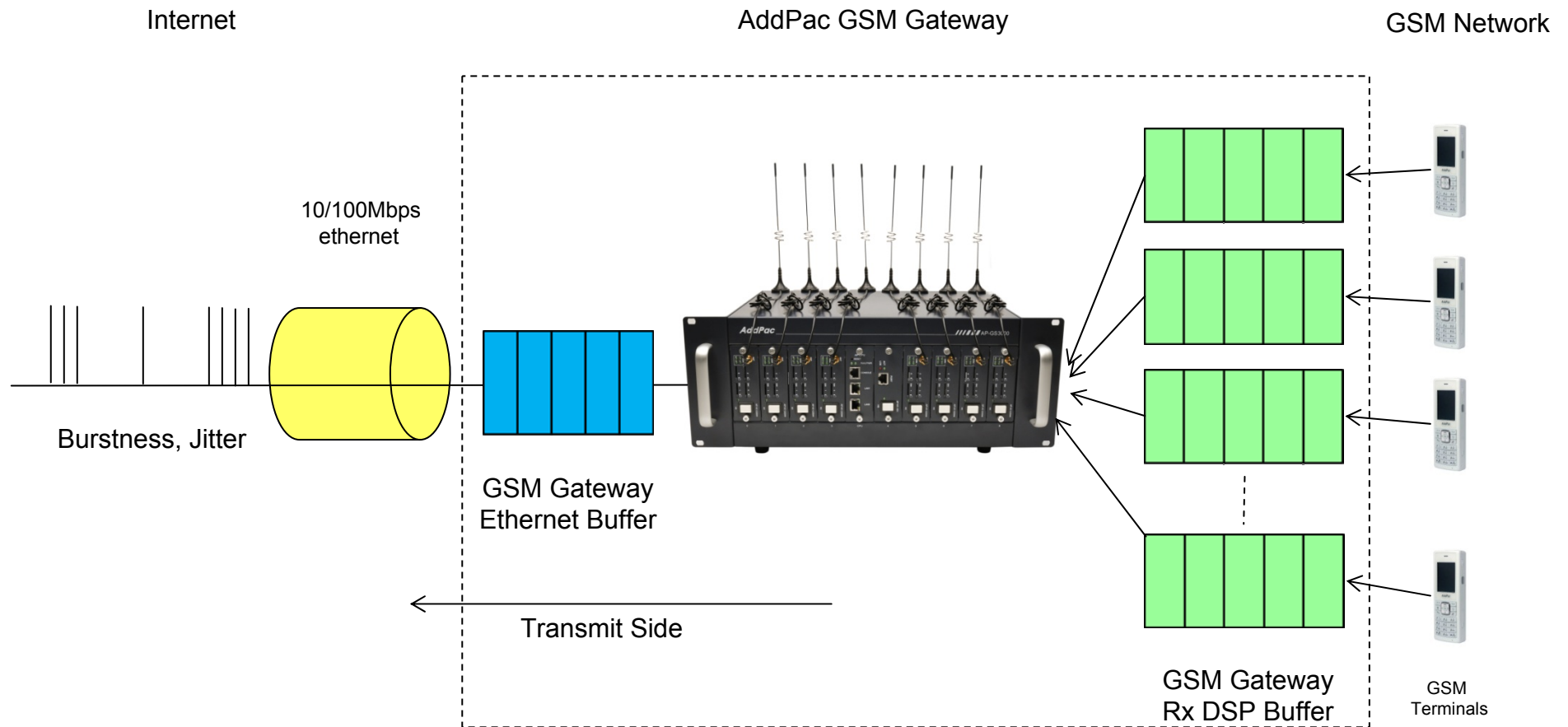
QoS Control

Enable QoS (optional)

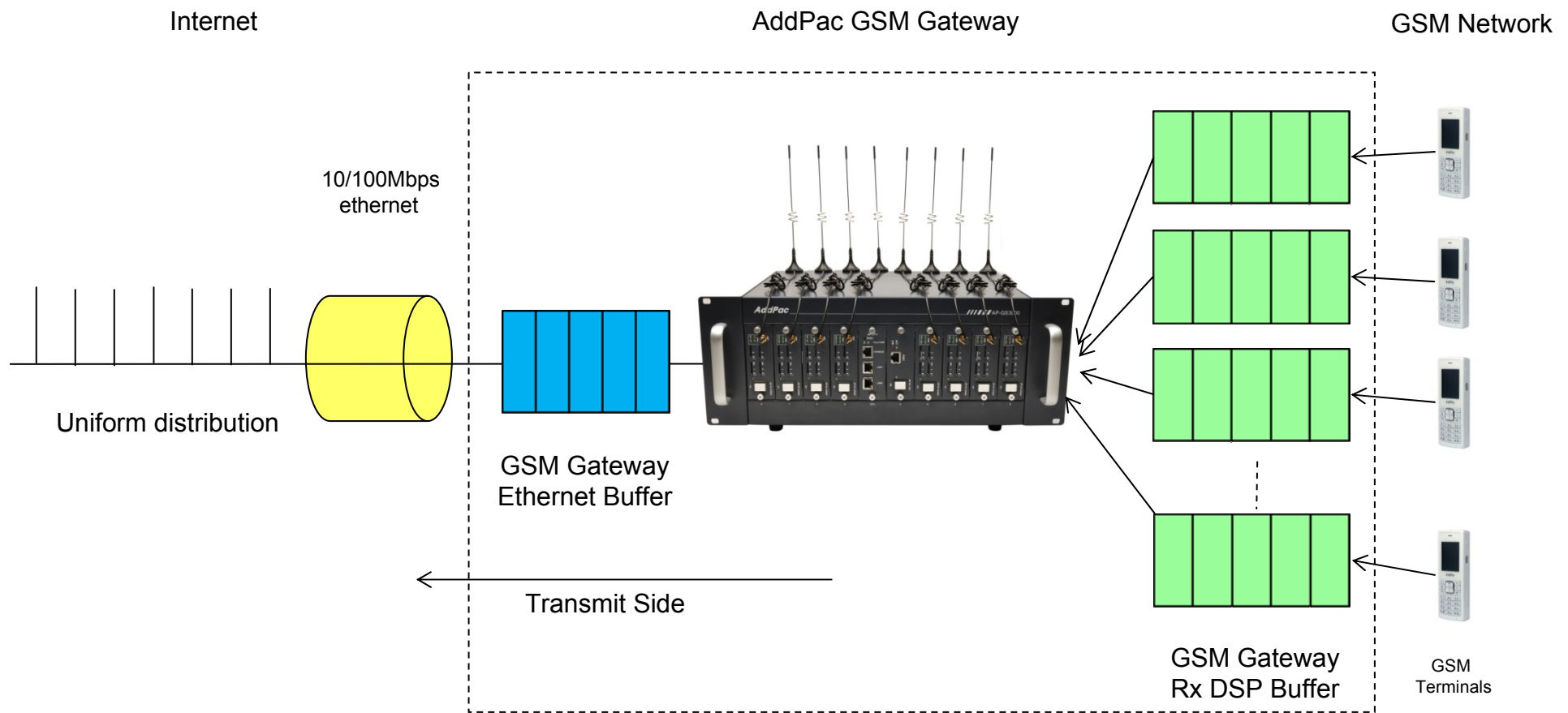
Bandwidth: Kbps (default auto, 48-4096)
PPS: pps (default auto, 50-2000)

Apply

Packet Transmit (Before QoS enable mode)



Packet Transmit (After QoS enable mode)



GSM Gateway Series

Thank you!

AddPac Technology Co., Ltd.
Sales and Marketing

Phone +82.2.568.3848 (KOREA)

FAX +82.2.568.3847 (KOREA)

E-mail sales@addpac.com