

# Multi-Port GSM Gateway Series

Web based QoS Control



**AddPac**

**AddPac Technology**

2010, Sales and Marketing

[www.addpac.com](http://www.addpac.com)

# Contents

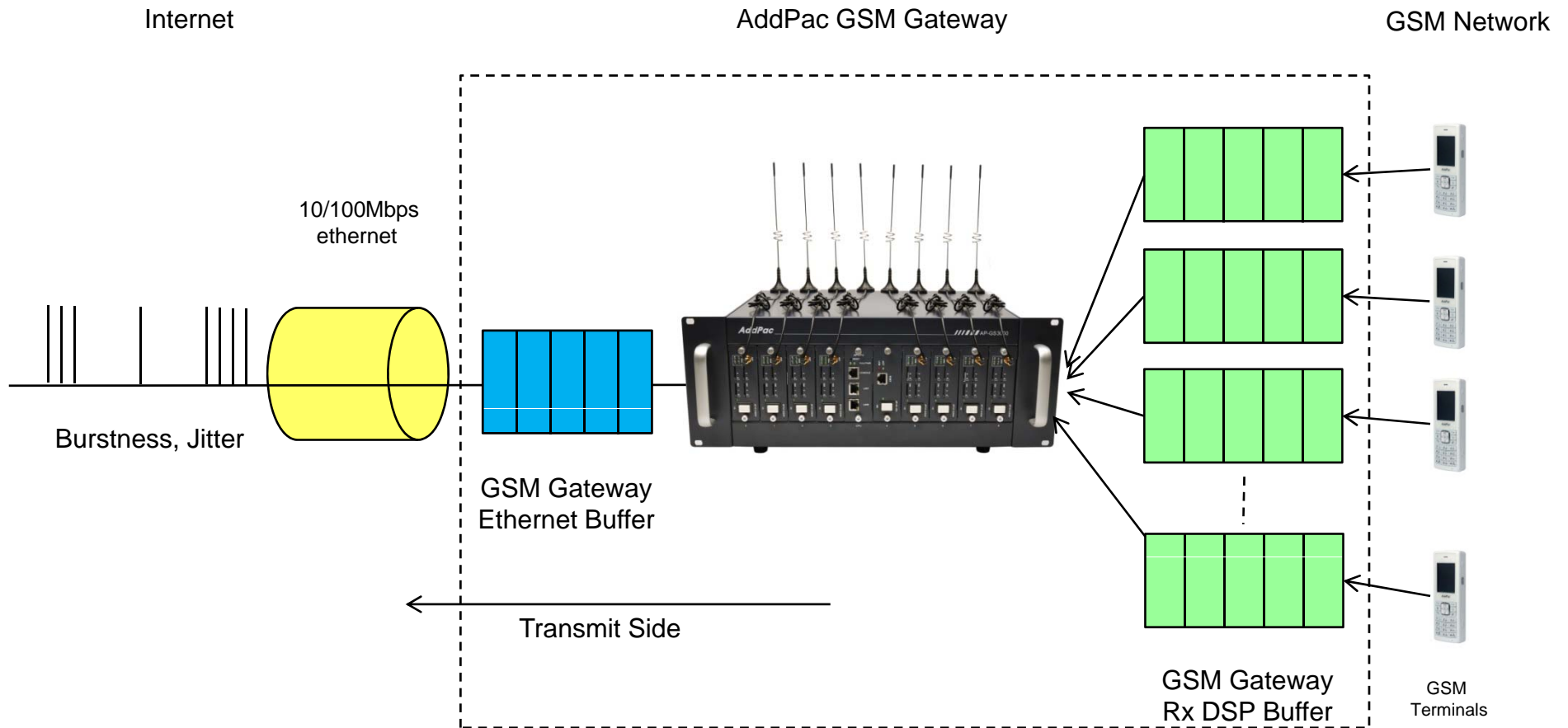
- Smart Web for QoS Control
- Packet Transmit Diagram (before, after QoS mode)



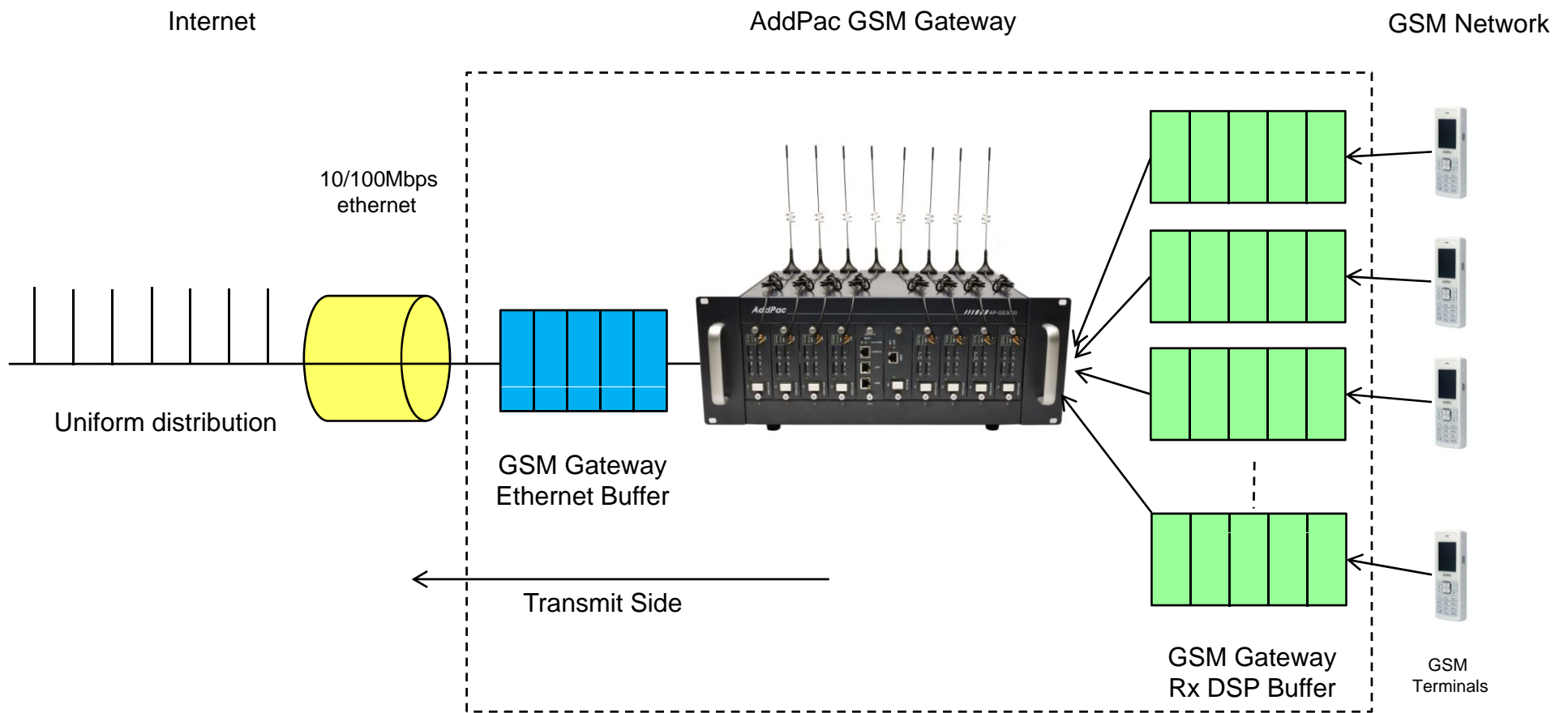
# QoS Control

The screenshot displays the 'Smart Web Manager' interface for WAN & Tunneling Setup. The left sidebar shows a navigation menu with 'WAN Setup' highlighted. The main content area is titled 'WAN & Tunneling Setup' and contains several configuration sections: 'WAN Setup' (with fields for Hostname, IP Address, Network Mask, Default Router, and DNS Servers), 'Static IP' (selected), 'PPPoE(ADSL)' (with authentication options), 'DHCP', 'VLAN', and 'QoS Control'. The 'QoS Control' section is highlighted with a red dashed border and contains an 'Enable QoS (optional)' checkbox, 'Bandwidth' and 'PPS' input fields, and their respective units. A yellow callout box points to the 'QoS Control' section with the text: 'QoS Control - Supported by Bandwidth and PPS(Packets Per Second) conditions.' An 'Apply' button is located at the bottom left of the configuration area.

# Packet Transmit (Before QoS enable mode)



# Packet Transmit (After QoS enable mode)



# GSM Gateway Series

# Thank you!

**AddPac Technology Co., Ltd.**  
Sales and Marketing

Phone +82.2.568.3848 (KOREA)

FAX +82.2.568.3847 (KOREA)

E-mail [sales@addpac.com](mailto:sales@addpac.com)