



# AP-GS816™

## GSM VoIP Gateway

High Performance GSM VoIP Gateway Solution

### H/W Design Concept



# **AddPac**

**AddPac Technology**

2012, Sales and Marketing

[www.addpac.com](http://www.addpac.com)

# Contents

- Product Overview
- Hardware Specification
- 16-Port GSM Service Configuration
- 16-Port GSM Service Network Diagram



# Product Overview

- 16-Port GSM VoIP Gateway Solution
- 16-Port SIM Slots
- 16-Port Antenna Interface
- GSM VoIP Interface(LAN) Support
- H.323/SIP Dual Concurrent Stack Embedded
- High Performance RISC & Programmable DSP Architecture
- G.711/G.726/G.723/G.729, T.38 Fax , VAD, etc
- Powerful Network Protocols (PPPoE, DHCP, Static Routing, etc)
- Two(2) 10/100Mbps Fast Ethernet (IP Share ,etc)
- One(1) RS-232C Port for Command Line Interface
- Firmware Upgradeable Architecture
- Smart Web Manager, Smart NMS Support
- Advanced Voice QoS Mechanism
- Light and Compact Design with Internal Power Supply

# Hardware Specification

RISC  
CPU

High-end  
DSP

- RISC Microprocessor Computing Power
- Powerful High-End DSP for VoIP Interface
- 16-Port GSM VoIP Gateway
- 16-Port SIM Card Slots
- 16-Port GSM Antenna Interface
- Network Interface for VoIP Direct Interface
  - Two(2) 10/100Mbps Fast Ethernet (RJ45)
- RS232C Console Interface for CLI
- Run LED, LAN LED, Port LEDs at Front Side
- Compact and Light Design with Internal Power Supply

# Hardware Specification

RISC  
CPU

High-end  
DSP

## Front Side View



LAN0 10/100Mbps  
Ethernet

LAN1 10/100Mbps  
Ethernet

RS232C  
Console Port

Port LEDs

GND

Power Input

Power Switch

# Hardware Specification

RISC  
CPU

High-end  
DSP

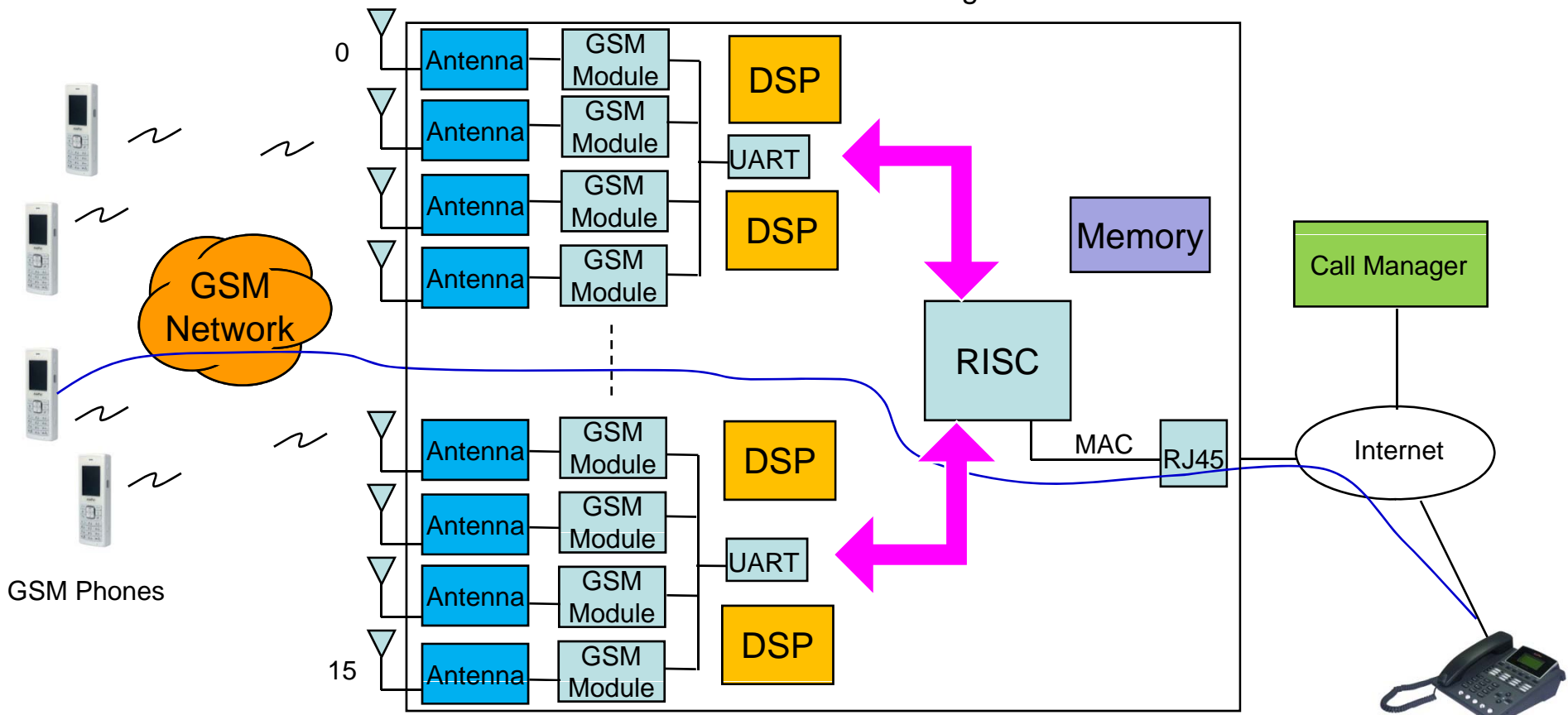
## Back Side View



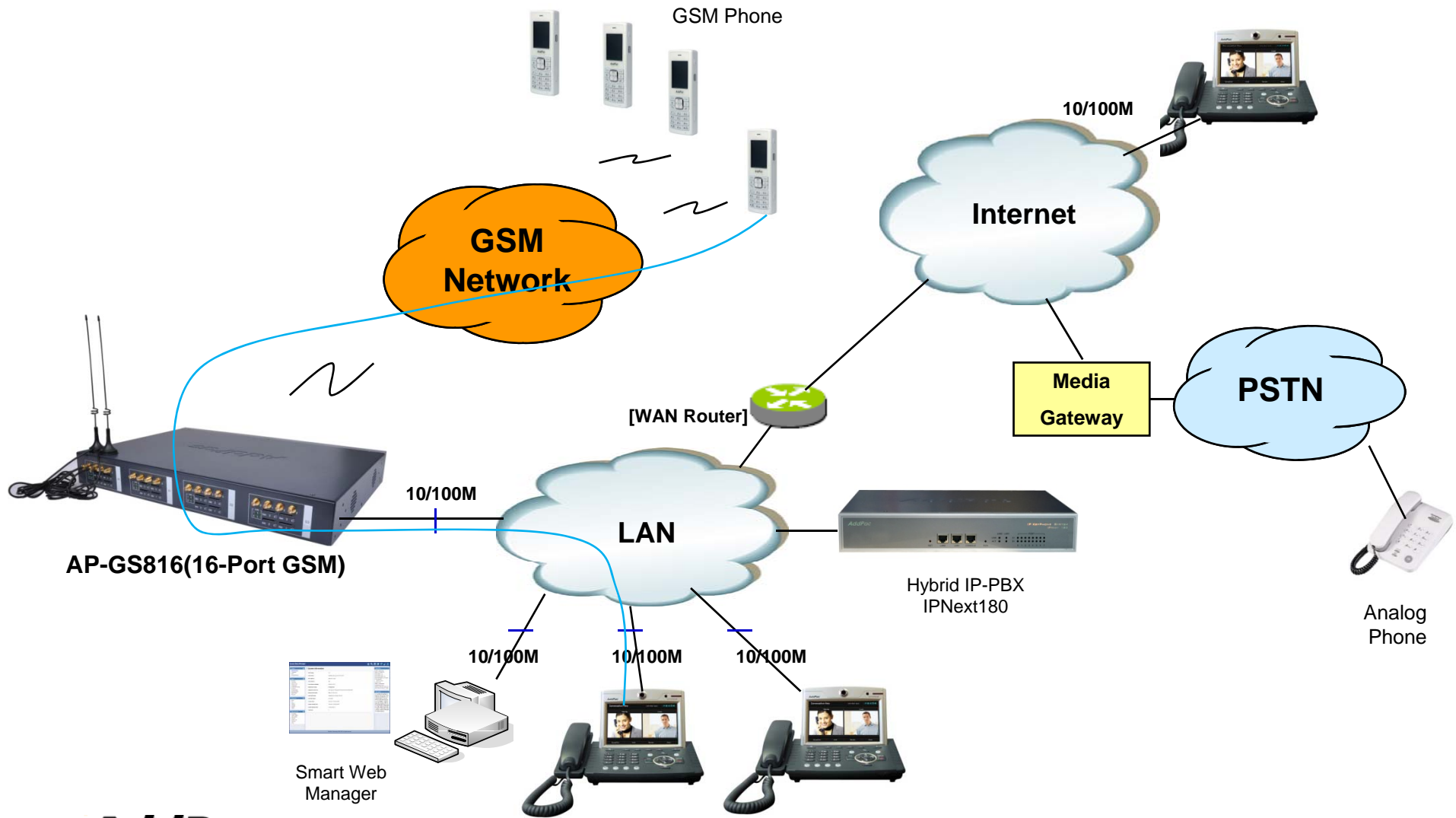
# 16-Port GSM Configuration

## GSM VoIP Gateway Service Diagram

### AP-GS816 Internal H/W Block Diagram



# Network Service Diagram





# GSM Gateway Series

# Thank you!

**AddPac Technology Co., Ltd.**  
Sales and Marketing

Phone +82.2.568.3848 (KOREA)

FAX +82.2.568.3847 (KOREA)

E-mail [sales@addpac.com](mailto:sales@addpac.com)