

Multi-Port GSM Gateway Series

Web based QoS Control



AddPac

AddPac Technology

2010, Sales and Marketing

www.addpac.com

Contents

- Smart Web for QoS Control
- Packet Transmit Diagram (before, after QoS mode)



QoS Control

The screenshot shows the 'Smart Web Manager' interface with the 'WAN & Tunneling Setup' page. The left sidebar contains a menu with 'WAN Setup' highlighted. The main content area includes sections for 'WAN Setup', 'Static IP', 'PPPoE(ADSL)', 'DHCP', 'VLAN', and 'QoS Control'. The 'QoS Control' section is highlighted with a red dashed border and contains an 'Enable QoS (optional)' checkbox and input fields for 'Bandwidth' and 'PPS'. A yellow callout box points to the 'QoS Control' section with the text: 'QoS Control - Supported by Bandwidth and PPS(Packet Per Second) conditions.' An 'Apply' button is located at the bottom left of the page.

Smart Web Manager
www.addpac.com

System

- Language
- WAN Setup**
- LAN Setup
- NAT
- NTP
- System Time
- File Browser

Basic

Advanced

Miscellaneous

LCR

SMS

WAN & Tunneling Setup

WAN Setup

Hostname: Router

IP Address: 172.16.9.120 A.B.C.D
Network Mask: 255.255.0.0 A.B.C.D
Default Router: 172.16.1.1 A.B.C.D

Static IP

DNS Server: Primary DNS Server
Secondary DNS Server

User name:
Password:

PPPoE(ADSL)

Authentication:
 (No Authentication)
 PAP (PPP Authentication Protocol)
 CHAP(Challenge Handshake Authentication Protocol)

DHCP

VLAN ID: 0
 Auto

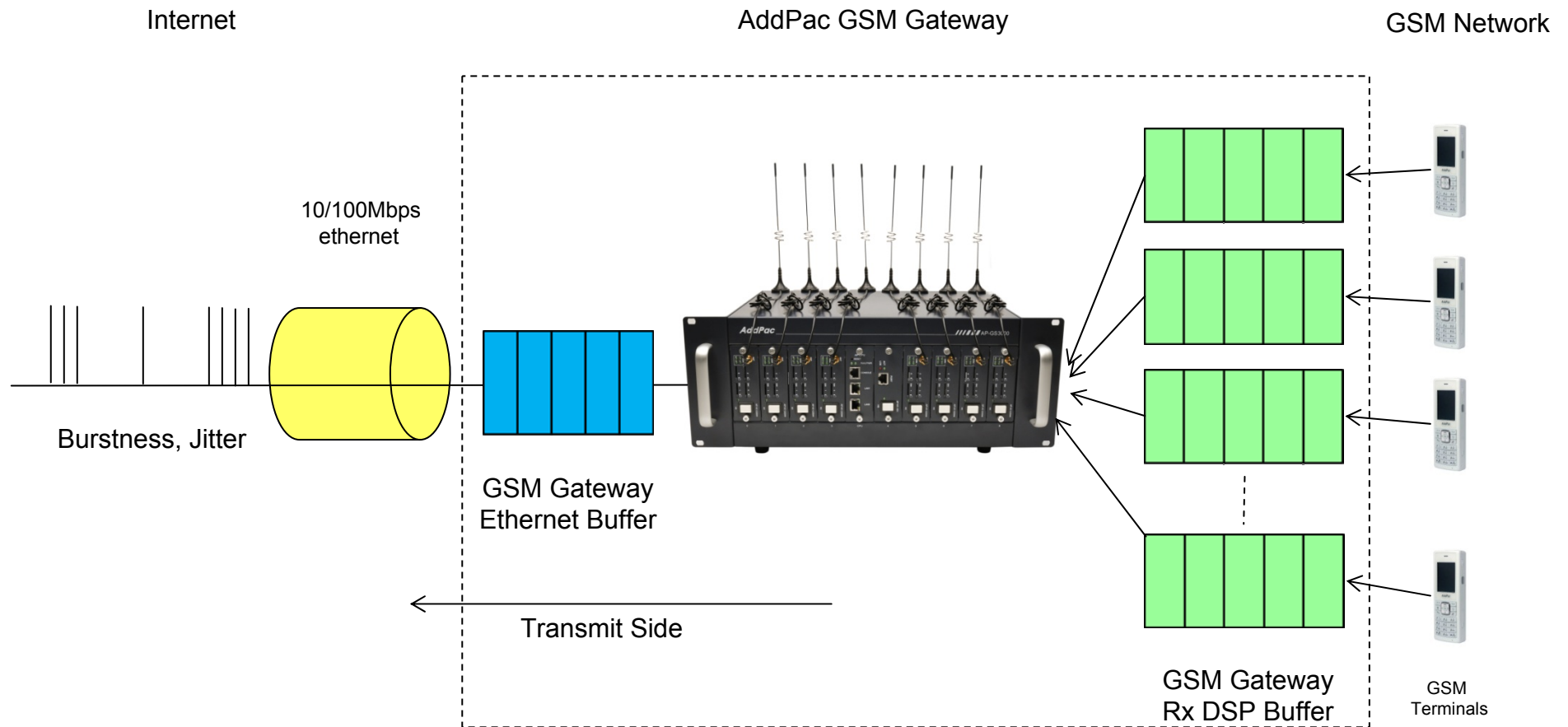
QoS Control

Enable QoS (optional)

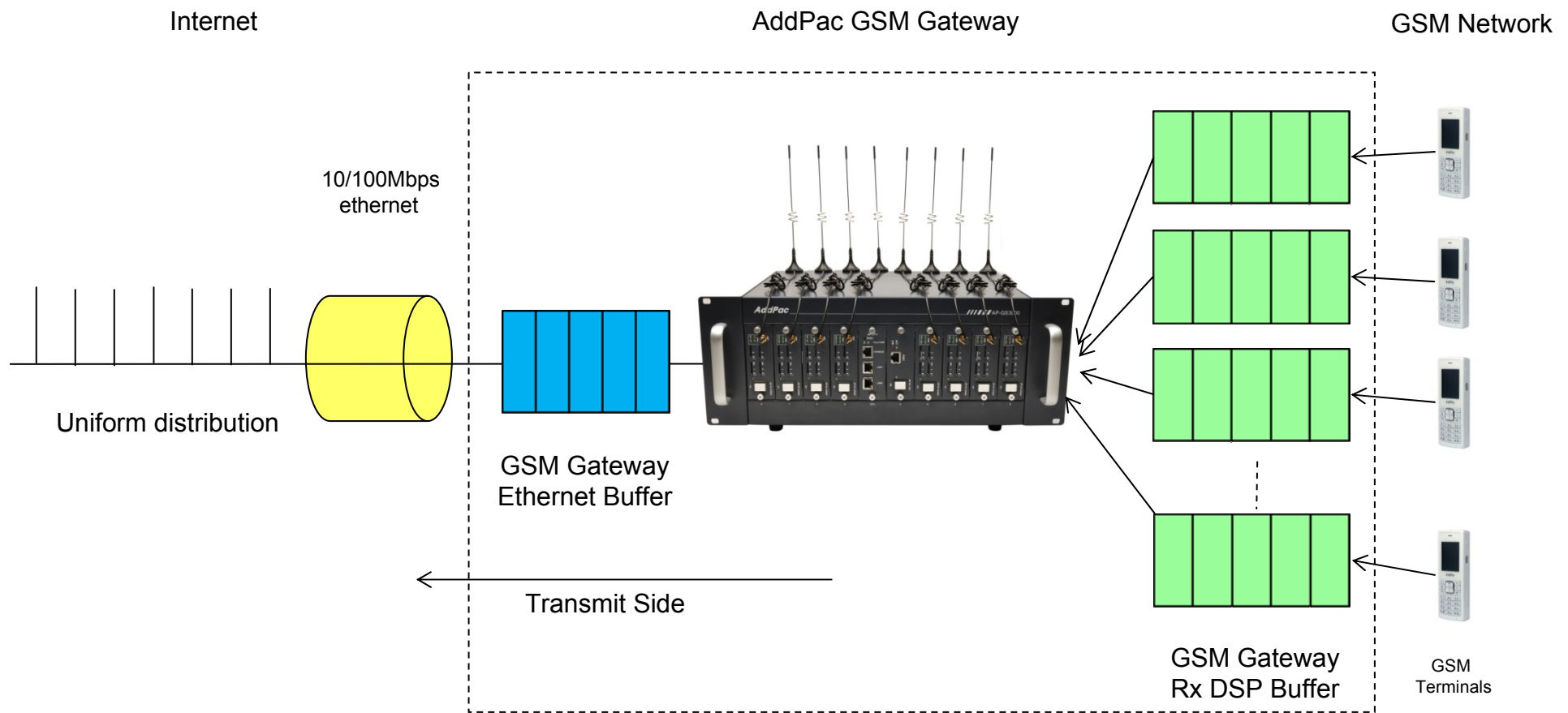
Bandwidth : Kbps (default auto, 48-4096)
PPS : pps (default auto, 50-2000)

Apply

Packet Transmit (Before QoS enable mode)



Packet Transmit (After QoS enable mode)



GSM Gateway Series

Thank you!

AddPac Technology Co., Ltd.
Sales and Marketing

Phone +82.2.568.3848 (KOREA)

FAX +82.2.568.3847 (KOREA)

E-mail sales@addpac.com