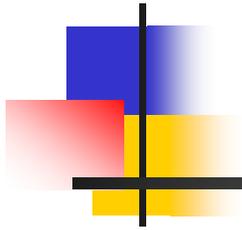


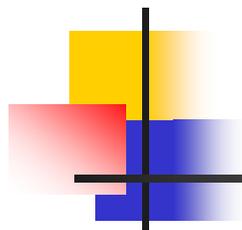
# AP190 VoIP Gateway Design Features & Concept



2004. 8

**AddPac** Technology

R&D Center



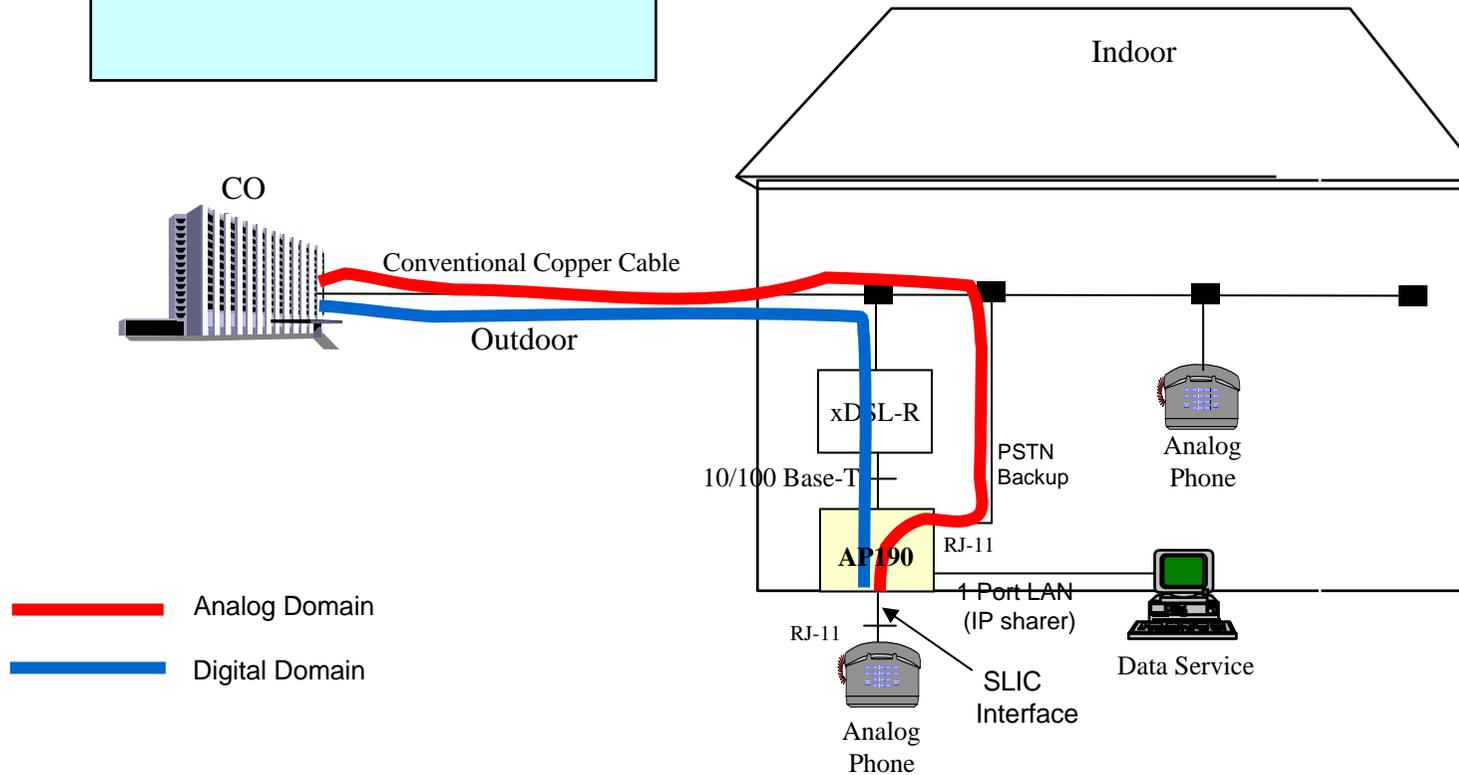
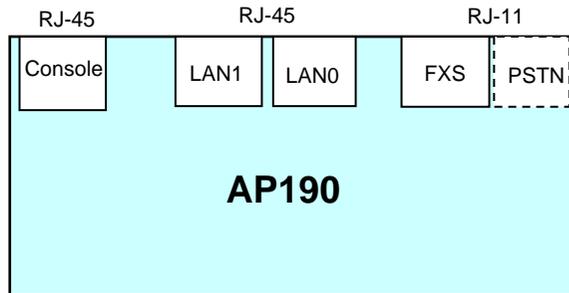
# Design Features

---

- ❑ AP190 H/W Features
  - CPU : ARM9
  - DSP : High Performance DSP for Audio Processing
  - Main Memory : 16Mbyte SDRAM
  - Flash Memory : 2Mbyte
  - Console Port : RJ45
  - Analog Phone : 1 FXS Port, optional PSTN Backup
  - Fast Ethernet Ports : LAN0(10/100Mbps), LAN1 (10/100Mbps)
  
- ❑ AP190 S/W Features
  - High Performance LAN-to-LAN routing for xDSL
  - H.323, SIP and MGCP Concurrent Triple Stack
  - Voice Codec : G.723.1, G.729.A, G.726, G.711,G711PLC,etc
  - Voice Processing
    - Voice Activity Detection (VAD)
    - DTMF Recognition and DTMF Relay
    - G.168 Echo Cancellation
    - T.38 G3 Real Time FAX Relay (Out-band & In-Band )

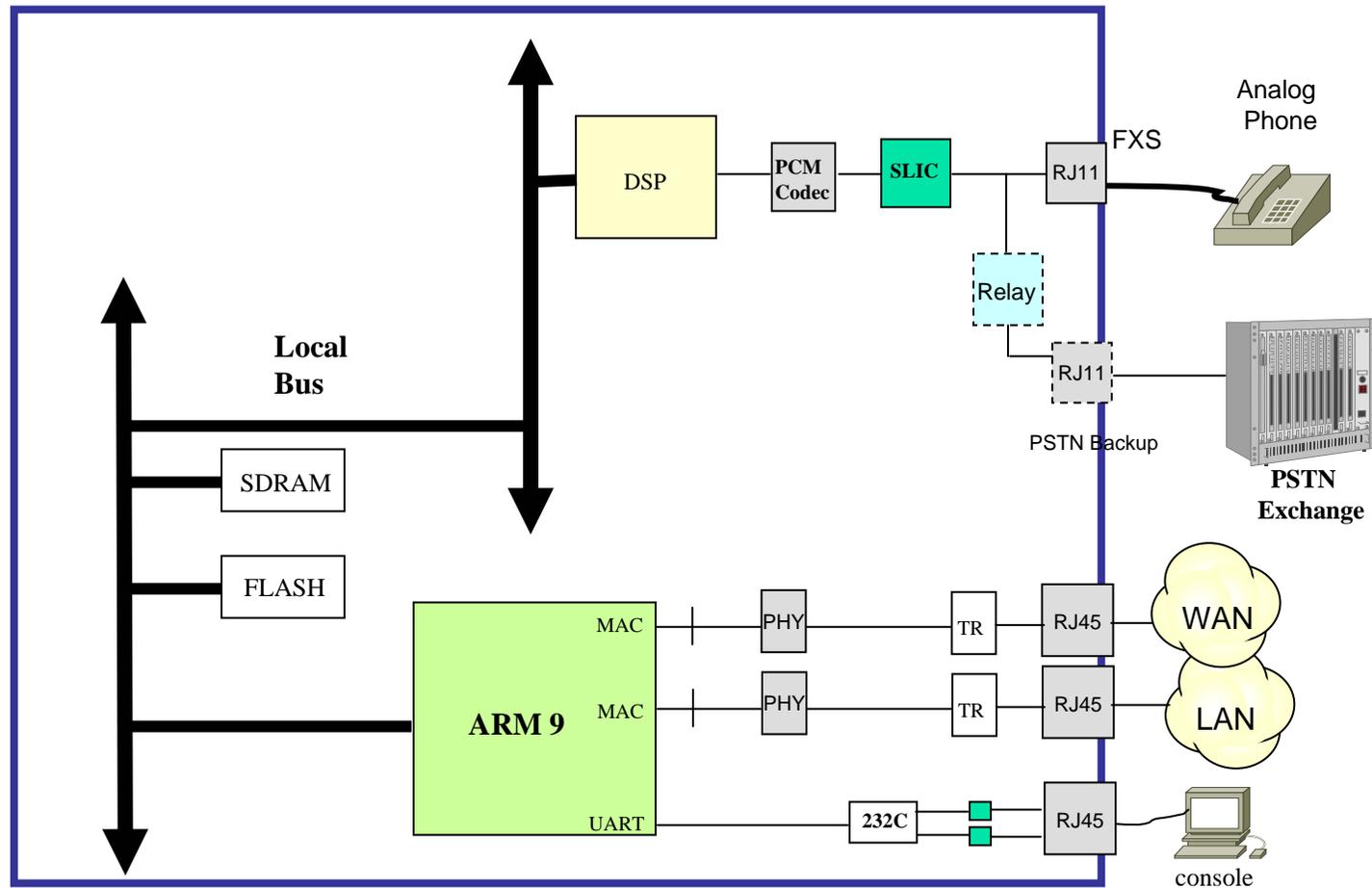
# Design Features

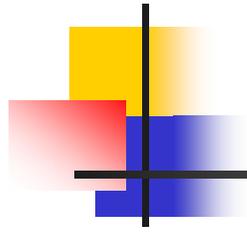
## □ AP190



# Design Features

## AP190 System Block Diagram





# Discussion

---