



VoIP

AP2620 VoIP Gateway

Design Concept



AddPac

AddPac Technology

2005, Sales and Marketing

www.addpac.com

Contents

AP2620 VoIP Gateway

- Features
- Hardware Specification
- Hardware Logical Diagram



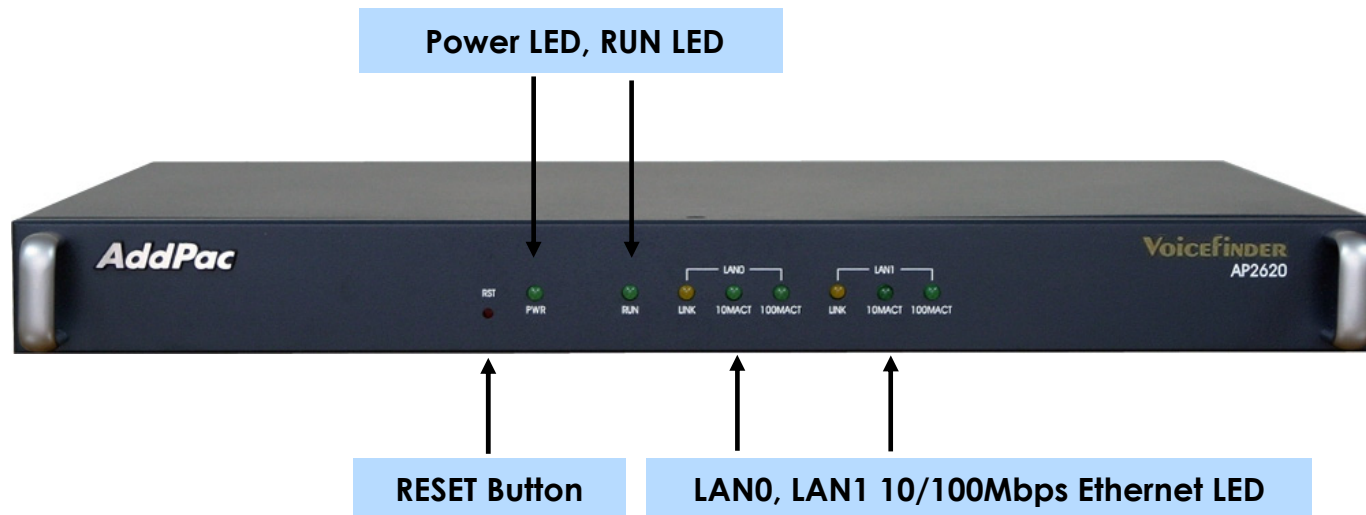
Features

AP2620 VoIP Gateway

- **High-End RISC Microprocessor**
- **Two(2) DSP Board Slots**
- **One(1) Network Interface Slots**
 - **Network Interface**
 - Two(2) 10/100Mbps Fast Ethernet Port
 - One(1) RS-232C Console Port
- **DSP Boards**
 - **4-Port FXS, FXO, E&M Boards**
 - **IP broadcasting Board**
 - **1-Port Digital E1/T1 Board**

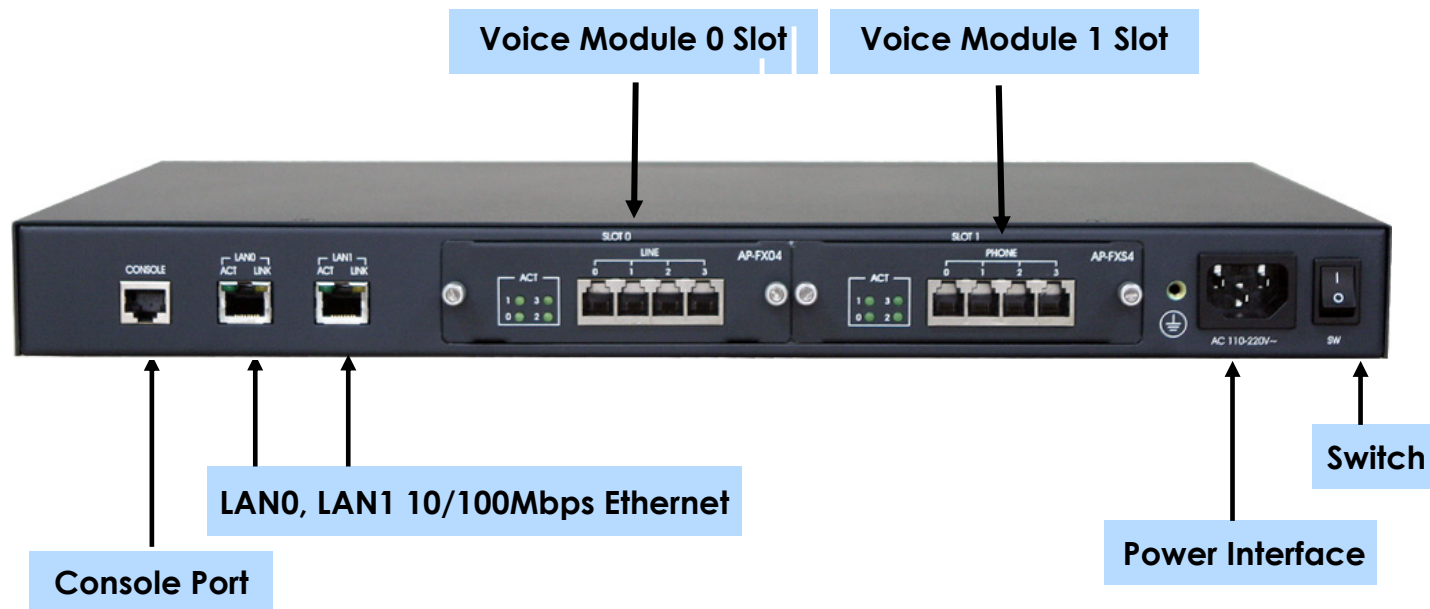
Hardware Specification

AP2620 VoIP Gateway



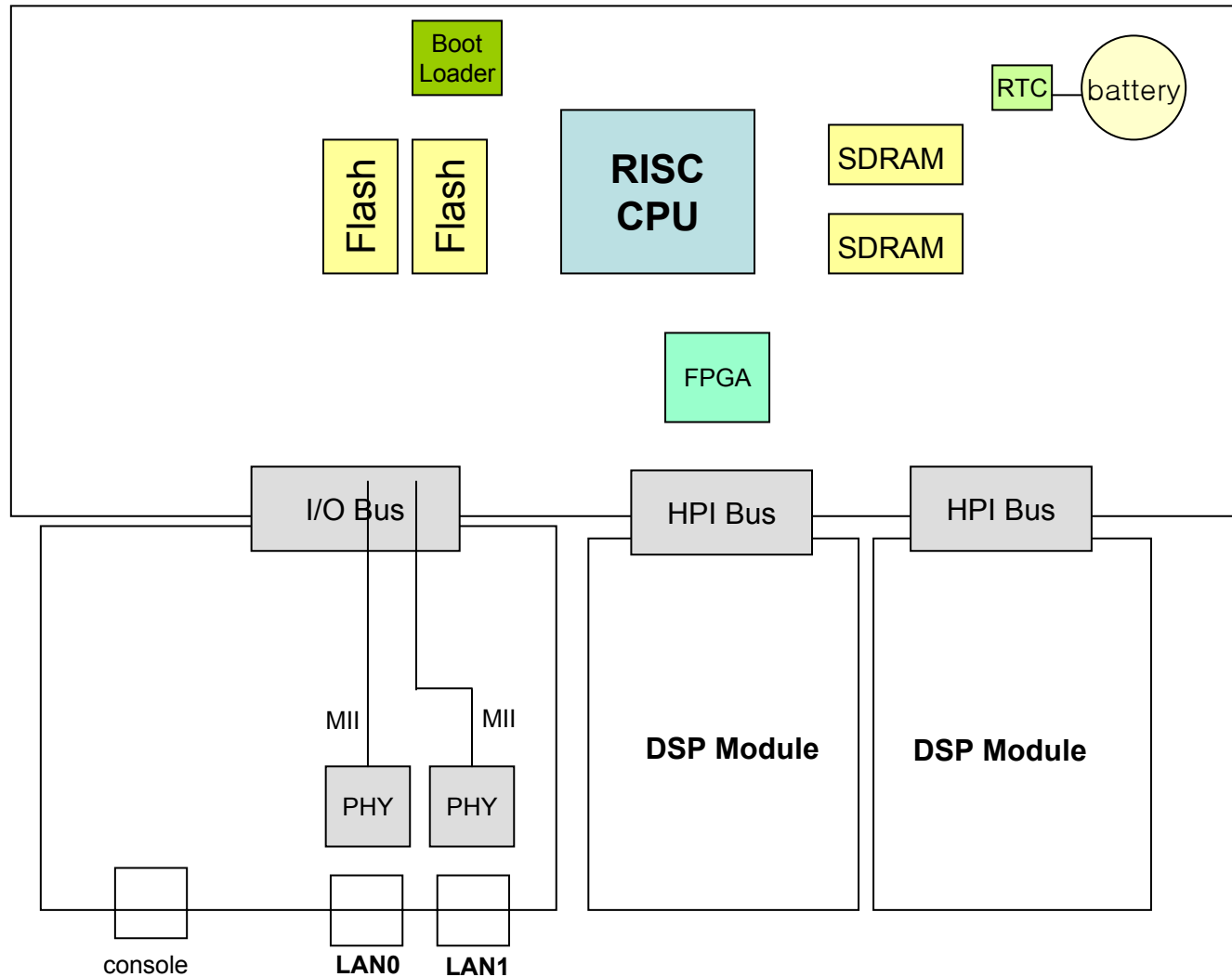
Hardware Specification

AP2620 VoIP Gateway



Hardware Logical Diagram

AP2620 VoIP Gateway



AP2620 VoIP Gateway

Thank you!

AddPac Technology Co., Ltd.
Sales and Marketing

Phone +82.2.568.3848 (KOREA)

FAX +82.2.568.3847 (KOREA)

E-mail sales@addpac.com