

AP-SDS5000™

HD Streaming Server

High-performance HD Network Surveillance Solution



AddPac

AddPac Technology

2010, Sales and Marketing

www.addpac.com

Contents

- Product Overview
- Benefits and Features
- Hardware Specification
- Software Service
- RTSP based Streaming Service Diagram
- Network Service and Features
- Application
- Ordering Information

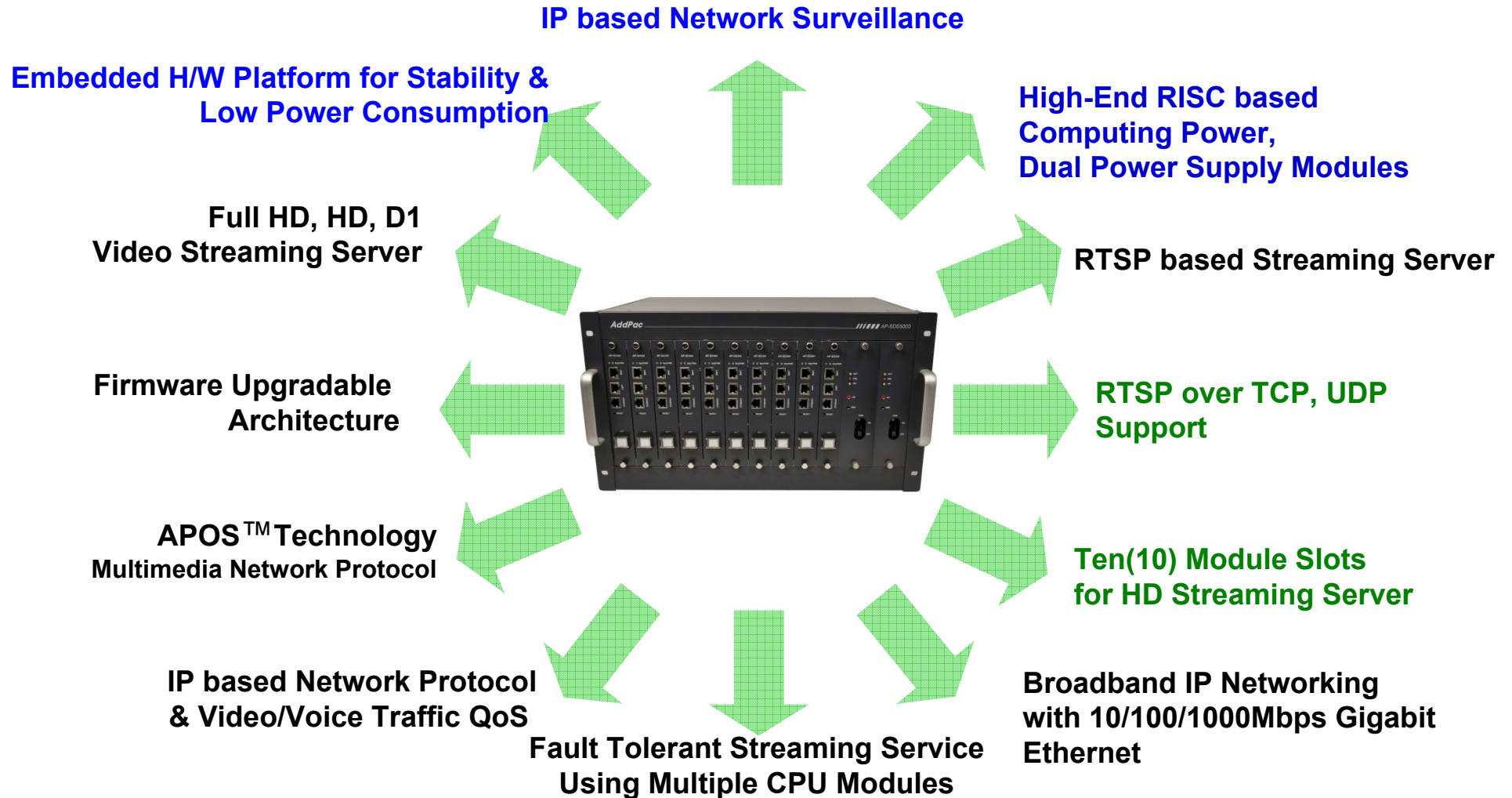
Product Overview

AP-SDS5000 HD Streaming Server

- Large Scale HD Video Streaming Server
- RTSP based Full HD/HD/D1 Streaming Server
- Embedded H/W Platform with CPU Module Slots
- Up to Ten(10) CPU Module Expansion
- Fault Tolerant and Reliability Service
- RTSP Server & Client Architecture
- HD Video Encoder, HD Video Decoder, HD Storage Server, HD Display Server RTSP based Interworking
- Load Balance using RTSP Redirect Service
- Server Function for Web based Smart DVR Manager
- HD Video Solution with Outstanding Network Service Capability
- Module Type Power Redundancy

Product Highlights

AP-SDS5000 HD Streaming Server



Benefits and Features

AP-SDS5000 HD Streaming Server

- RTSP based Streaming Service for Full HD, HD, D1 Video Bit Stream
- TCP/UDP Transport Protocol Support
- Ten(10) Module Slots for HD Streaming Server
- Module based Architecture for Small-to-Large Scale Video Service
- Scalability for Large Scale Network Video Surveillance
- Embedded Streaming Service Module
- Fault Tolerant and High Reliability Service using Ten(10) Streaming Service CPU Module
- Load Balance and Hot-Swap Service
- IP based Network Protocol Support
- Video Application
 - Network Surveillance Solution

Hardware Specification

AP-SDS5000 HD Streaming Server

High-end
DSP

- High-end Programmable RISC Hardware Architecture
- Ten(10) Module Slots for HD Streaming Service
- Smart DVR Streaming Service Module (AP-SDSM)
 - Network Interface
 - Two(2) 10/100/1000Mbps Gigabit Ethernet
 - One(1) Console Port

Hardware Specification

AP-SDS5000 HD Streaming Server

High-end
RISC

AP-SDS5000 Front View



HD Streaming Service Module

Power Supply Module

Hardware Specification

AP-SDS5000 HD Streaming Server

High-end
RISC

AP-SDS5000 Back Side View

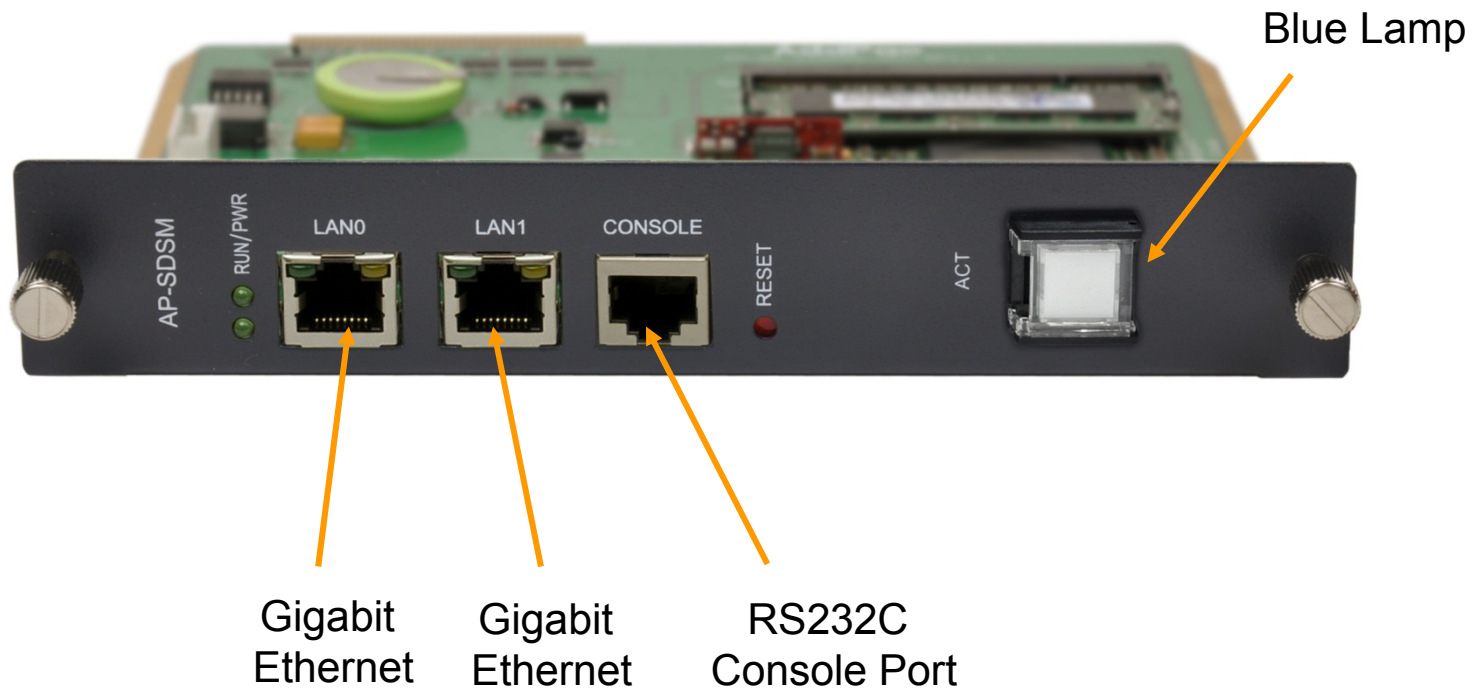


Hardware Specification

AP-SDS5000 HD Streaming Server

High-end
DSP

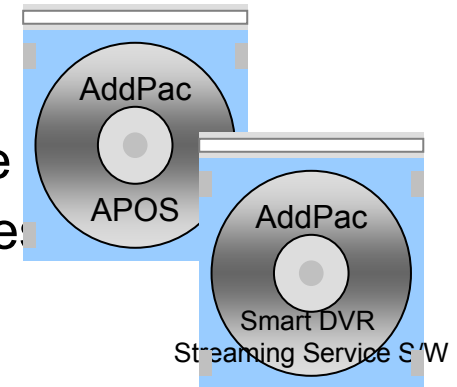
AP-SDSM Streaming Service Module



Software Service

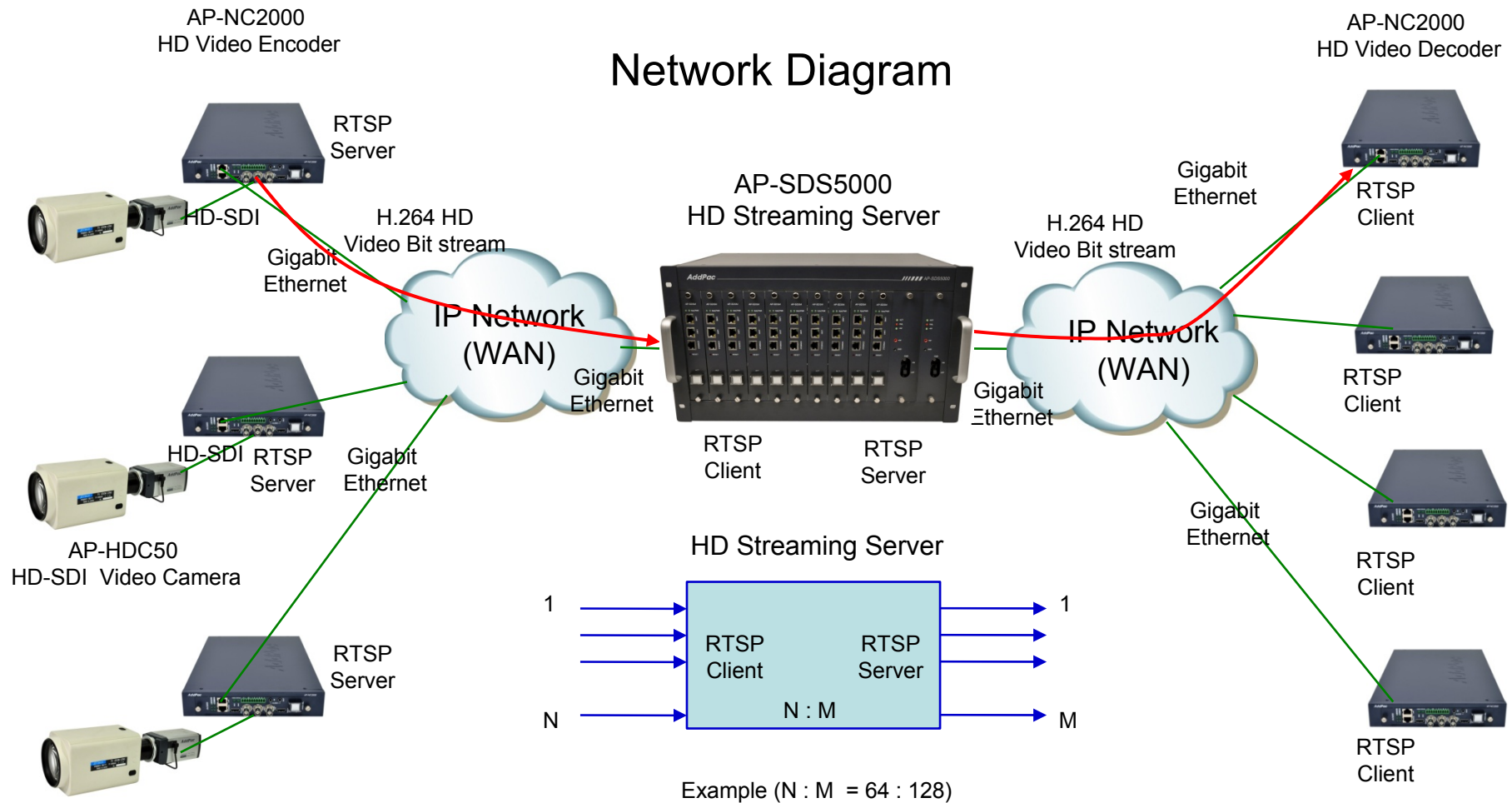
AP-SDS5000 HD Streaming Server

- Built-in AddPac APOS Internetworking Software
 - Scalability, Functionality, and Stability Features
 - Video Traffic QoS Control
- Firmware Upgradeable RISC Computing Architecture
- Industry Standard IP based Network Protocol Features
- RTSP based HD Streaming Service
 - Server and Client Architecture
 - TCP/UDP RTSP server/client support
 - Various RTSP Device Support (Video Encoder/Decoder, Recording Server, Display System, etc)
- Smart DVR Management Software
- Smart NMS (Network Management System) for DVR Solution



RTSP based Streaming Service Diagram

AP-SDS5000 HD Streaming Server



Network Service and Features

AP-SDS5000 HD Streaming Server

- RTSP (Real Time Streaming Protocol)
 - TCP transport
 - [Session Description Protocol](#) (SDP)
- Load balance
 - 302 Moved Temporarily
 - REDIRECT method (Optional, when the client support REDIRECT)
- Video and Audio Support
 - Video Only
 - Audio Only
 - Video + Audio

Network Service and Features

AP-SDS5000 HD Streaming Server

- Network Managements
 - Standard SNMP Agent (MIB v2) Support
 - Remote Management using Console, Telnet
 - Web based Management using HTTP Server Interface
- Security Functions
 - Standard & Extended IP Access List
 - Enable/Disable for Specific Network Protocols
 - Multi-level User Account Management
 - Auto-disconnect for Telnet/Console Sessions
 - PPP User Authentication Supports (PAP & CHAP)
- Operation & Managements
 - System Performance Analysis for Process, CPU, Connection Interface
 - Debugging, System Auditing, and Diagnostics Support
 - System Booting and Auto-rebooting with Watchdog Feature
 - System Managements with Data Logging
 - IP Traffic Statistics with Accounting

Network Service and Features

AP-SDS5000 HD Streaming Server

- Other Scalability Features
 - DHCP Server & Relay Functions
 - Network Address Translation (NAT) Function
 - Port Address Translation (PAT) Function
 - Transparent Bridging (IEEE Standard) Function
 - Spanning Tree Bridging Protocol Support
 - Remote Bridging Support
 - Concurrent Routing and Bridging Support
 - Cisco Style Command Line Interface (CLI)
 - Network time Protocol (NTP) Support

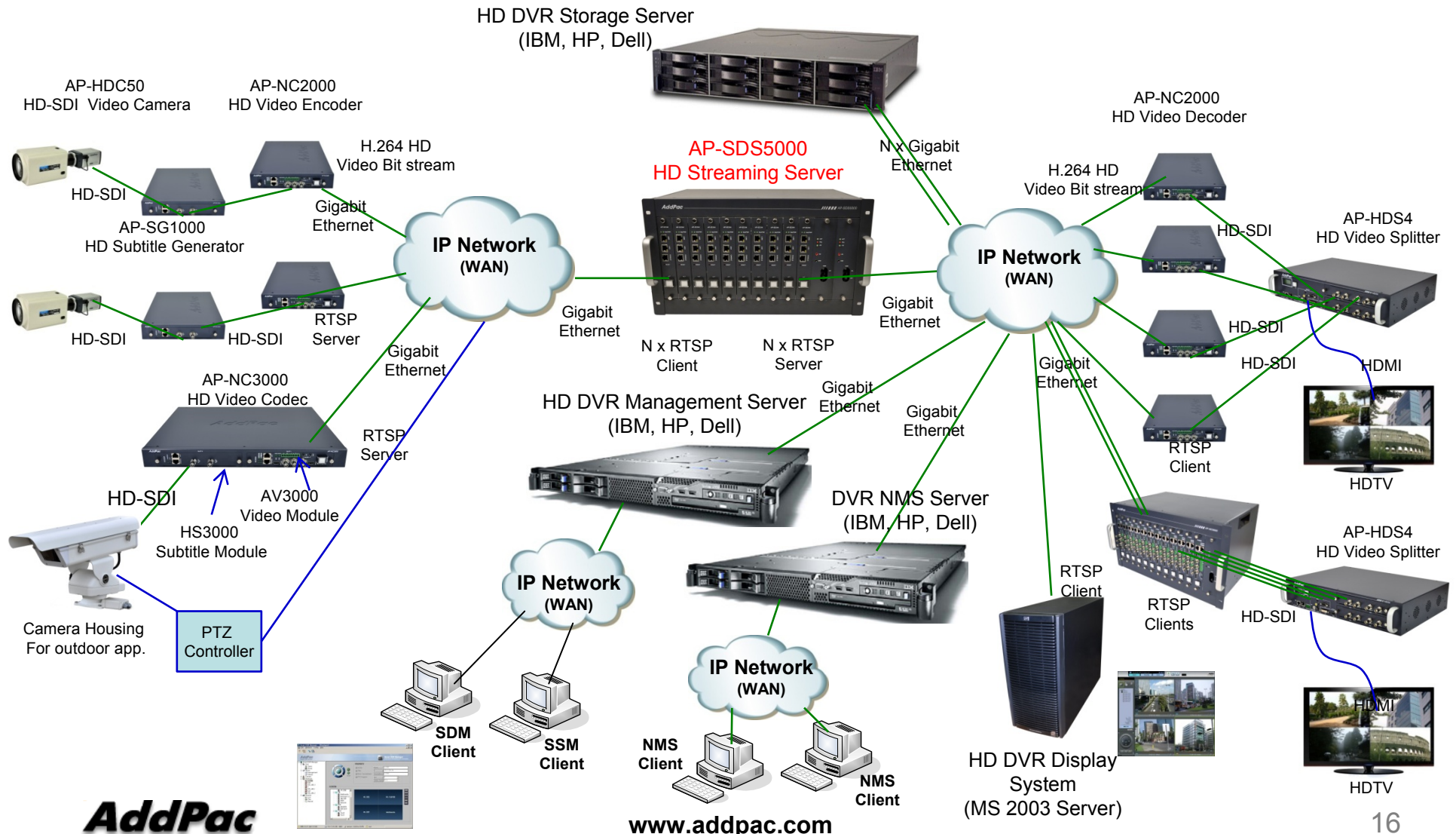
Application

- AddPac HD Network DVR Service Diagram
- AddPac D1 Network DVR Service Diagram



HD Network DVR Service Diagram

AP-SDS5000 HD Streaming Server



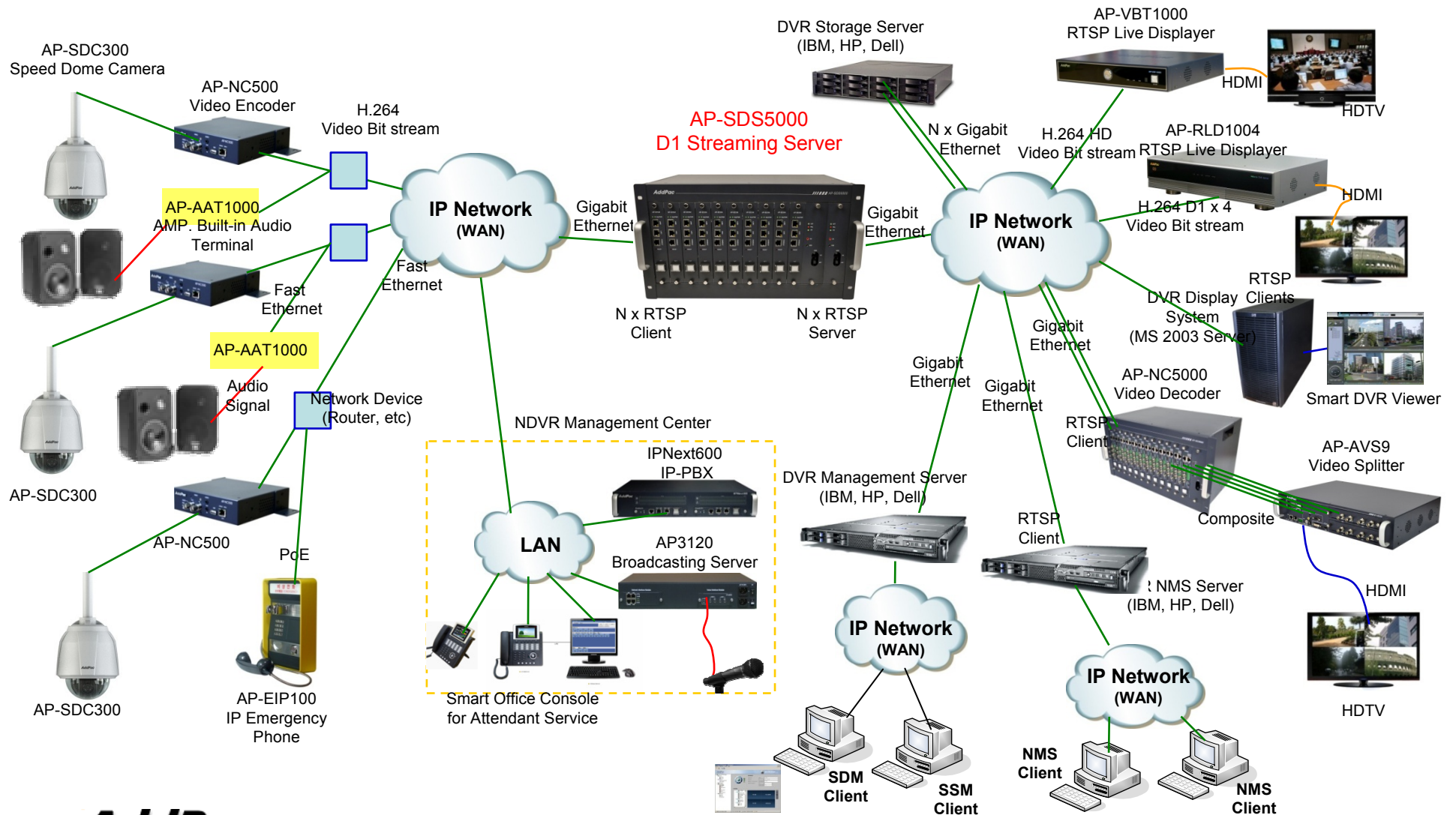
AddPac



www.addpac.com

D1 Network DVR Service Diagram

AP-SDS5000 HD Streaming Server



Ordering Information

- **AP-SDS5000 HD Streaming Server Hardware Platform**
 - Embedded H/W Platform
 - Programmable RISC Architecture
 - Ten(10) HD Streaming Service Module Slots
 - Dual Power Supply Module
- **AP-SDSM** : Smart DVR Streaming Service Module
- **Built-in APOS Internetworking Software for AP-SDS5000**
- **Including 1 Year Hardware Warranty**
- **Product Documents**
 - Install and Operation Guide (PDF)
- **Pricing**
 - AddPac Technology Regional Sales Manager
 - Authorized Sales and Marketing Representatives
 - Please Contact www.addpac.com



Thank you!

AddPac Technology Co., Ltd.
Sales and Marketing

Phone +82.2.568.3848 (KOREA)

FAX +82.2.568.3847 (KOREA)

E-mail sales@addpac.com