

# Multi-Port GSM Gateway Series

Web based QoS Control



**AddPac**

**AddPac Technology**

2010, Sales and Marketing

[www.addpac.com](http://www.addpac.com)

# Contents

- Smart Web for QoS Control
- Packet Transmit Diagram (before, after QoS mode)



# QoS Control

The screenshot shows the 'Smart Web Manager' interface for 'WAN & Tunneling Setup'. The left sidebar contains a menu with 'System' expanded, showing 'Language', 'WAN Setup', 'LAN Setup', 'NAT', 'NTP', 'System Time', and 'File Browser'. The main content area is titled 'WAN & Tunneling Setup' and includes sections for 'WAN Setup', 'Static IP', 'PPPoE(ADSL)', 'DHCP', 'VLAN', and 'QoS Control'. The 'QoS Control' section is highlighted with a red dashed border and contains an 'Enable QoS (optional)' checkbox, 'Bandwidth' and 'PPS' input fields, and their respective units and default ranges. A yellow callout box points to the 'QoS Control' section with the text: 'QoS Control - Supported by Bandwidth and PPS(Packets Per Second) conditions.' An 'Apply' button is located at the bottom left of the main content area.

Smart Web Manager  
www.addpac.com

**System** -  
Language  
• **WAN Setup**  
• LAN Setup  
• NAT  
• NTP  
• System Time  
• File Browser

**Basic** +  
**Advanced** +  
**Miscellaneous** +  
**LCR** +  
**SMS** +

**WAN & Tunneling Setup**

**WAN Setup**

Hostname Router

IP Address 172.16.9.120 A.B.C.D  
Network Mask 255.255.0.0 A.B.C.D  
Default Router 172.16.1.1 A.B.C.D

**Static IP**

DNS Server Primary DNS Server  
Secondary DNS Server

User name  
Password

**PPPoE(ADSL)**

Authentication  (No Authentication)  
 PAP (PPP Authentication Protocol)  
 CHAP(Challenge Handshake Authentication Protocol)

**DHCP**

**VLAN** ID 0  
Auto

**Enable QoS (optional)**

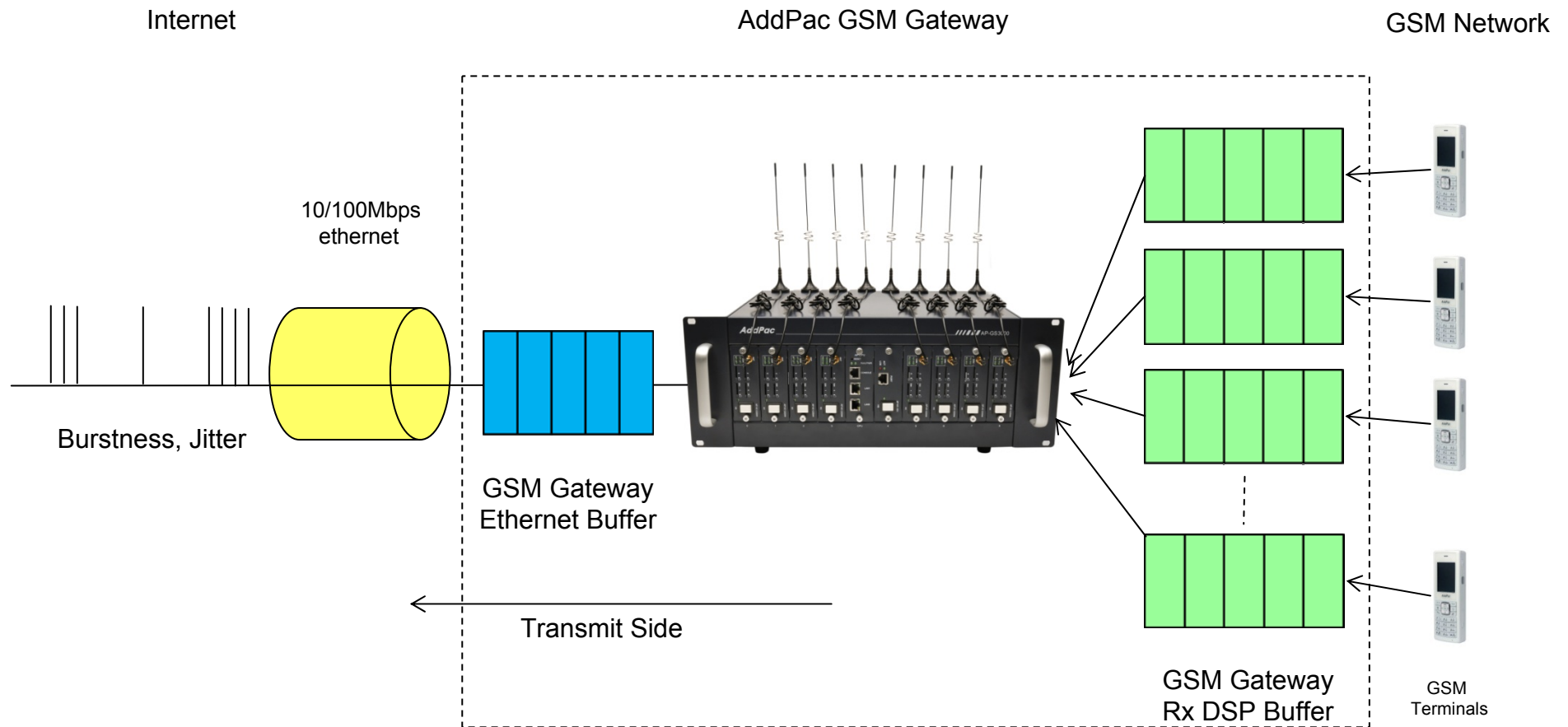
**QoS Control**

Bandwidth : Kbps (default auto, 48-4096)  
PPS : pps (default auto, 50-2000)

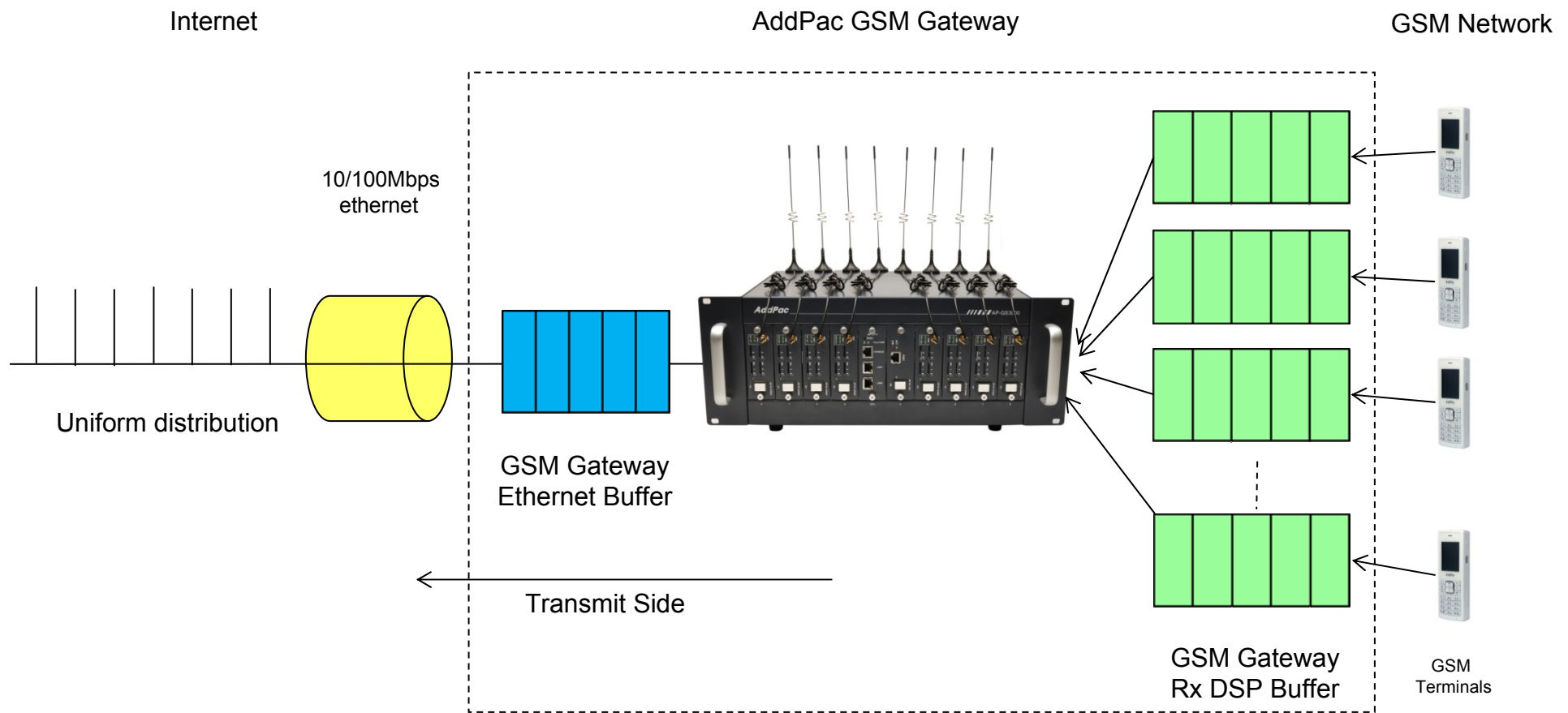
Apply

**QoS Control**  
- Supported by Bandwidth and PPS(Packets Per Second) conditions.

# Packet Transmit (Before QoS enable mode)



# Packet Transmit (After QoS enable mode)



# GSM Gateway Series

# Thank you!

**AddPac Technology Co., Ltd.**  
Sales and Marketing

Phone +82.2.568.3848 (KOREA)

FAX +82.2.568.3847 (KOREA)

E-mail [sales@addpac.com](mailto:sales@addpac.com)